



US00D915122S

(12) **United States Design Patent** (10) **Patent No.:** **US D915,122 S**  
**Veatch, III et al.** (45) **Date of Patent:** **\*\* Apr. 6, 2021**

(54) **PORTABLE GRILL CASING**  
(71) Applicant: **Nomad Grills, LLC**, Dallas, TX (US)  
(72) Inventors: **John Joseph Veatch, III**, Dallas, TX (US); **Cameron Mills Leggett**, Dallas, TX (US)  
(73) Assignee: **Nomad Grills, LLC**, Dallas, TX (US)  
(\*\*) Term: **15 Years**  
(21) Appl. No.: **29/711,390**  
(22) Filed: **Oct. 30, 2019**

4,392,477 A 7/1983 Milligan  
D358,204 S \* 5/1995 Ferrier ..... D23/314  
D461,051 S \* 8/2002 Cheng ..... D3/276  
6,644,298 B2 11/2003 Hermansen et al.  
D576,444 S \* 9/2008 Chung ..... D7/337  
D577,534 S \* 9/2008 Chung ..... D7/337  
D771,994 S \* 11/2016 Zemel ..... D7/338  
D773,817 S \* 12/2016 Hower ..... D3/316  
D784,064 S \* 4/2017 Hebert, Jr. .... D7/337  
D819,331 S \* 6/2018 Ballou ..... D3/276  
D819,387 S \* 6/2018 Stein ..... D7/337  
D843,156 S \* 3/2019 Hebert, Jr. .... D7/337  
D850,200 S \* 6/2019 Jiang ..... D7/409  
D874,143 S \* 2/2020 Seibert ..... D3/294

(Continued)

**Related U.S. Application Data**

(63) Continuation of application No. 16/265,639, filed on Feb. 1, 2019.  
(51) **LOC (13) Cl.** ..... **07-02**  
(52) **U.S. Cl.**  
USPC ..... **D7/337; D3/294**  
(58) **Field of Classification Search**  
USPC ..... D7/332–338, 402–409, 355, 356, 360, D7/362, 364, 365, 366, 363, 352; D23/343, 348, 332, 335, 314, 345, 415; D3/294–296, 276, 905  
CPC ..... A47J 37/07–0763; A47J 37/0781; A47J 37/0786; A47J 2037/0777; A47J 33/00; A47J 2201/00; F24C 3/14; F24C 1/16; F24C 5/20; F24B 1/181; F24B 1/19; F24B 1/195; F24B 1/00; F24B 1/202–207; F24B 3/00; F23B 20/00  
See application file for complete search history.

*Primary Examiner* — Brett Miller  
(74) *Attorney, Agent, or Firm* — Craige Thompson; Thompson Patent Law

(57) **CLAIM**

The ornamental design for a portable grill casing, as shown and described.

**DESCRIPTION**

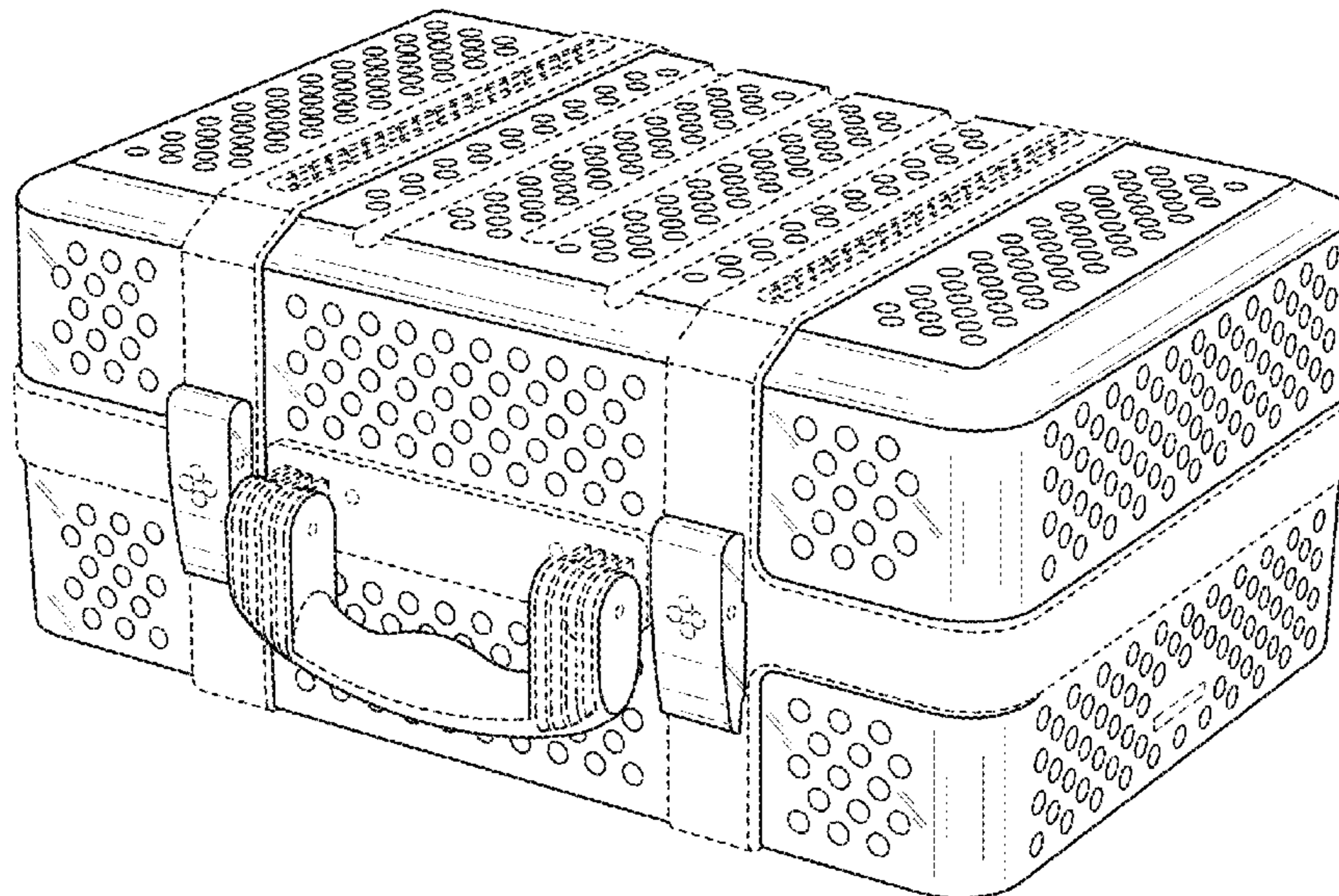
FIG. 1 is a front, top and right perspective view of a portable grill casing showing the new design;  
FIG. 2 is a front elevation view of the portable grill casing of FIG. 1;  
FIG. 3 is a back elevation view of the portable grill casing of FIG. 1;  
FIG. 4 is a top plan view of the portable grill casing of FIG. 1;  
FIG. 5 is a bottom plan view of the portable grill casing of FIG. 1;  
FIG. 6 is a left side elevation view of the portable grill casing of FIG. 1; and,  
FIG. 7 is a right side elevation view of the portable grill casing of FIG. 1.  
The broken lines illustrate portions of the portable grill casing that form no part of the claimed design.

(56) **References Cited**

**U.S. PATENT DOCUMENTS**

D193,589 S \* 9/1962 Friday ..... D3/294  
3,478,194 A 11/1969 Lescure  
D251,893 S \* 5/1979 Chan ..... D7/337

**1 Claim, 7 Drawing Sheets**



(56)

**References Cited**

U.S. PATENT DOCUMENTS

D902,587 S \* 11/2020 Zhu ..... D3/294  
2002/0020144 A1 2/2002 Sarles et al.  
2008/0060633 A1\* 3/2008 Antwine ..... A47J 36/06  
126/25 R  
2016/0174298 A1 6/2016 Moon et al.  
2019/0239687 A1\* 8/2019 Veatch, III ..... A47J 37/0763

\* cited by examiner

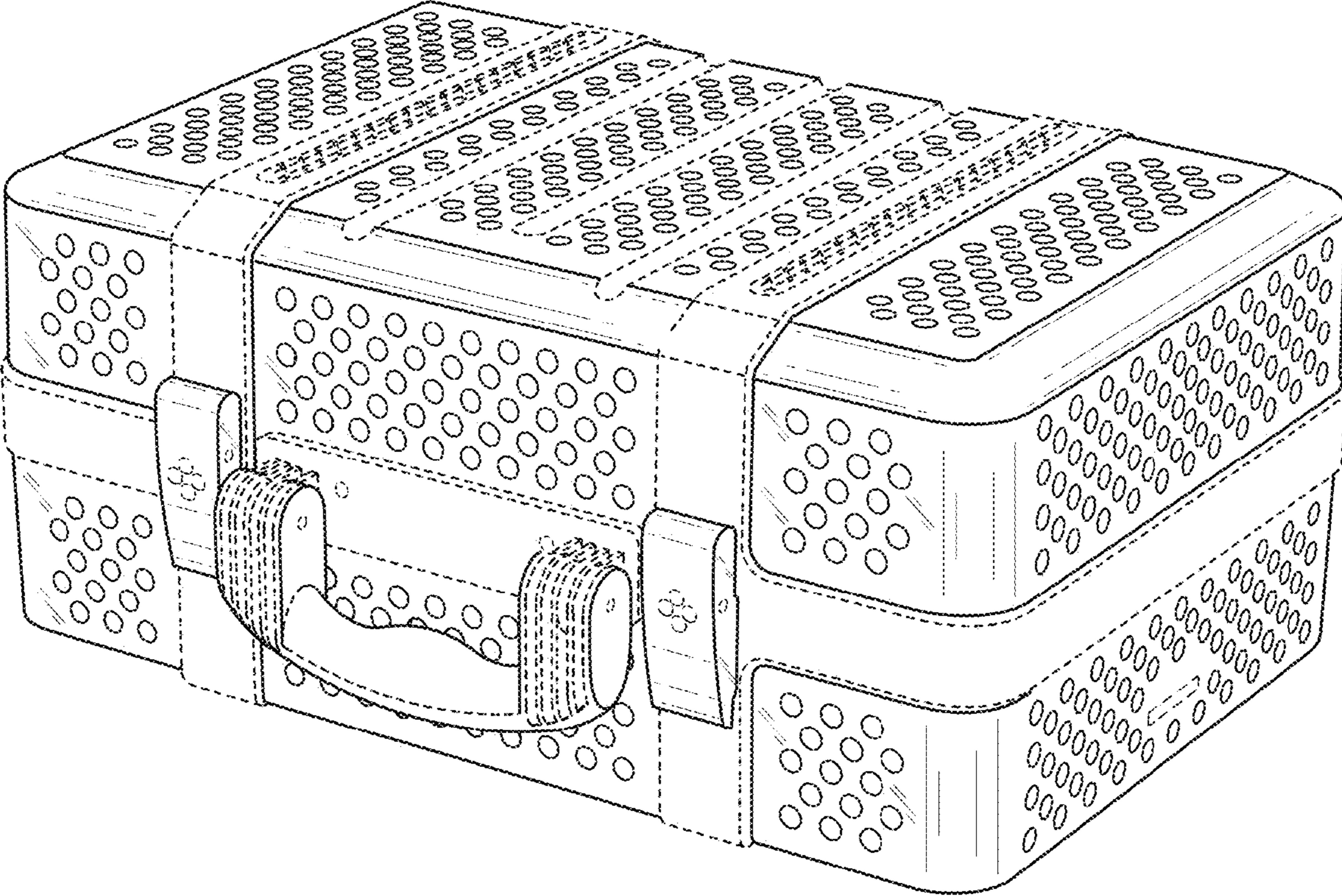


FIG. 1

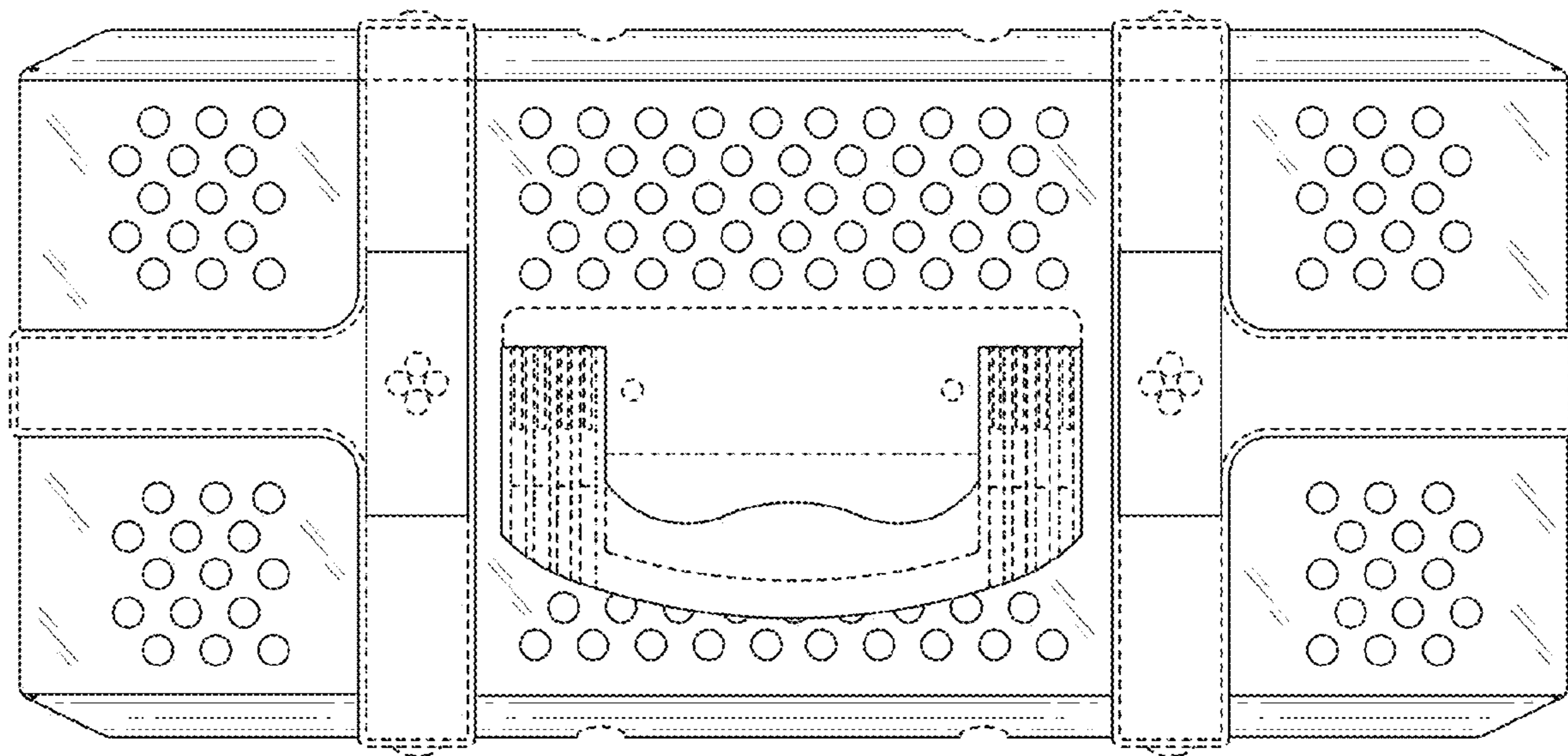


FIG. 2

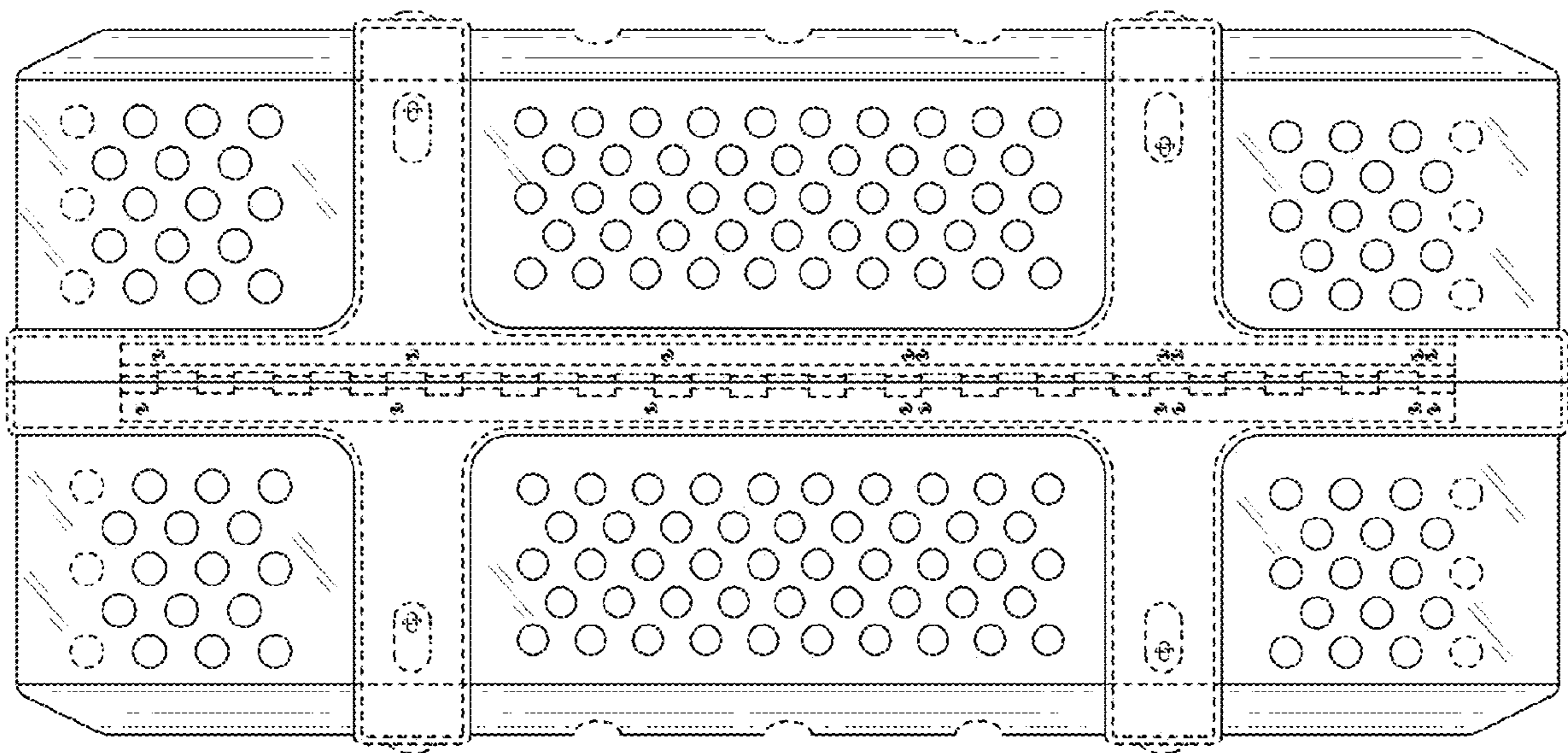


FIG. 3

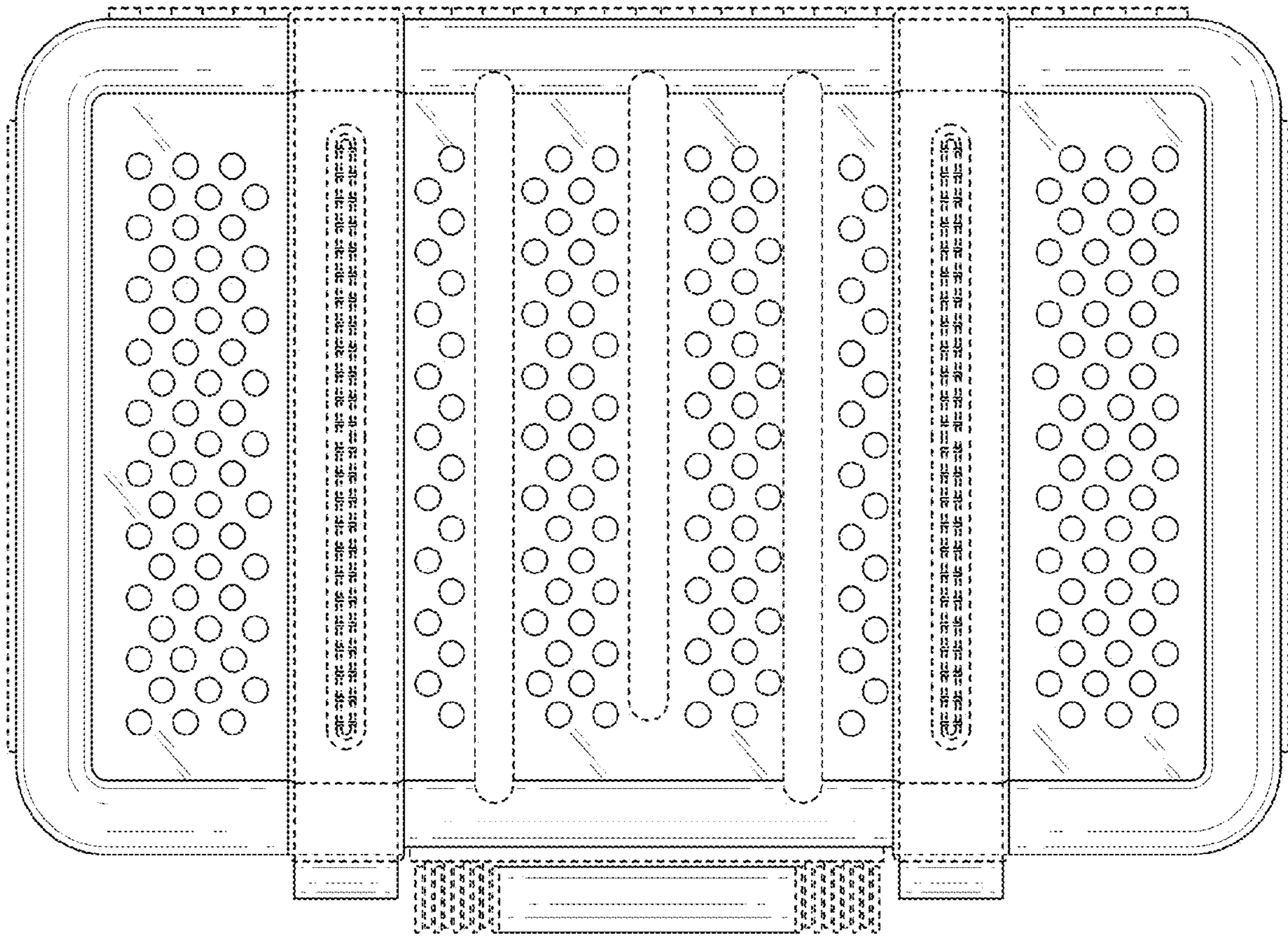


FIG. 4

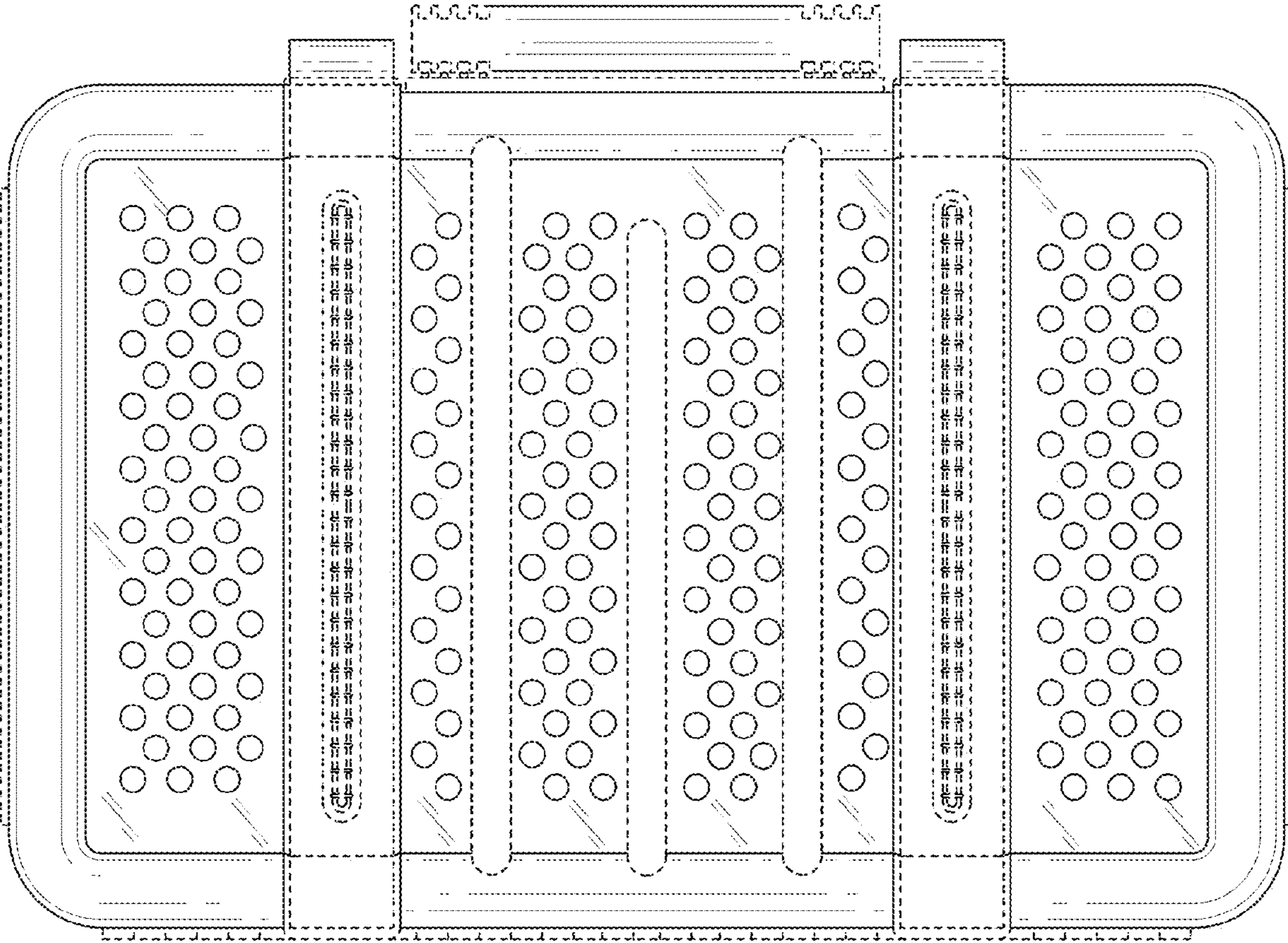


FIG. 5

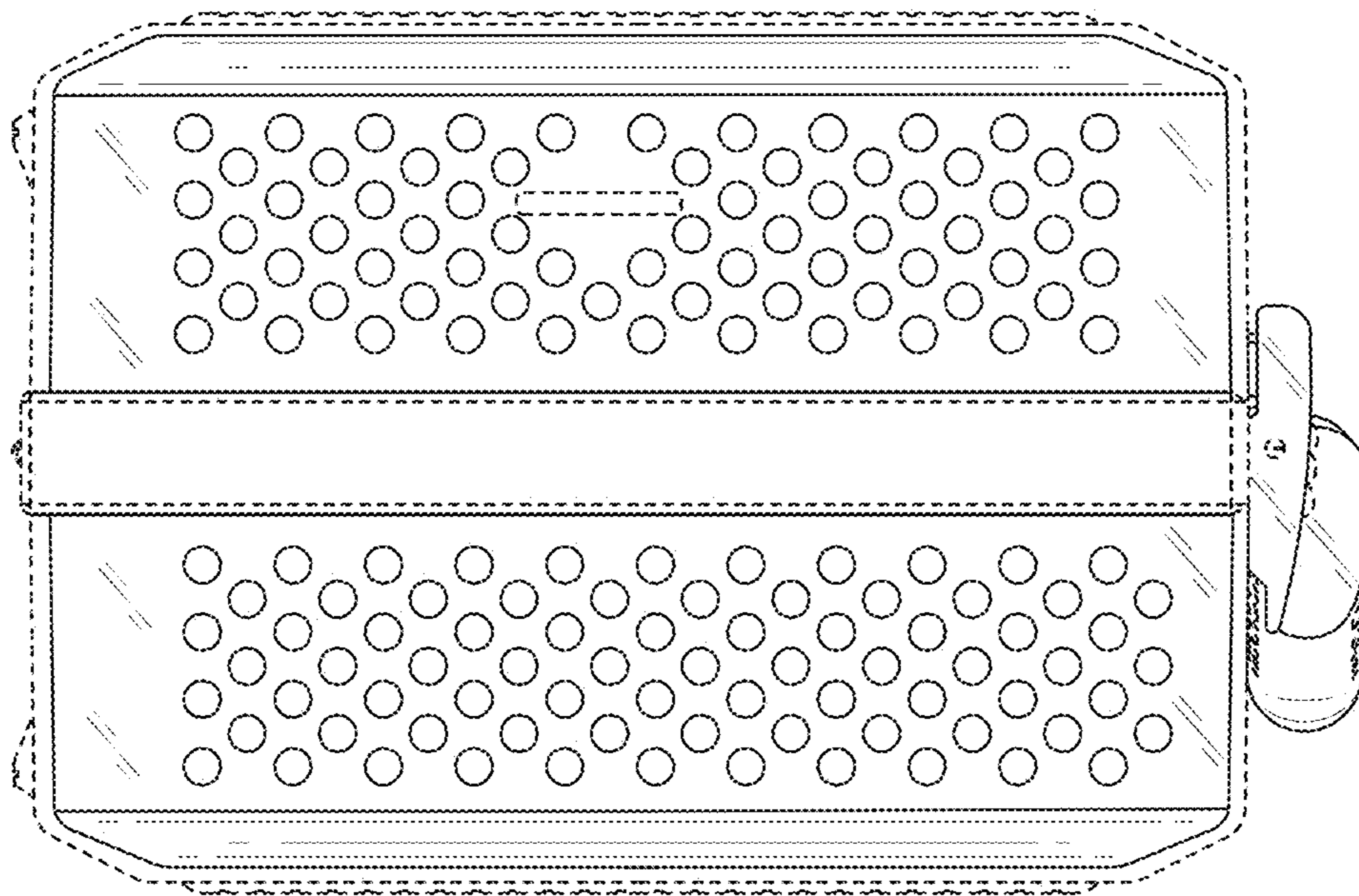


FIG. 6



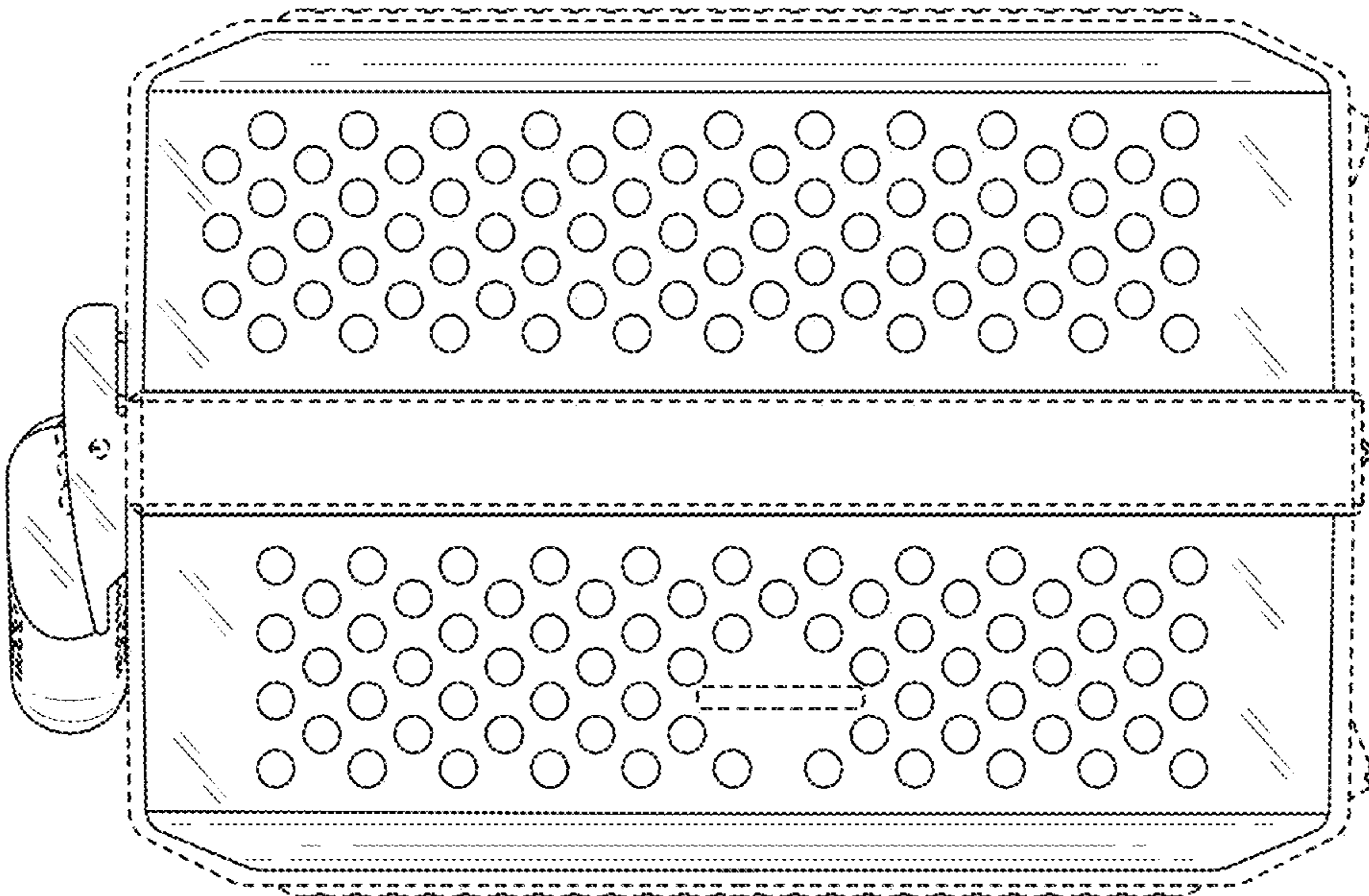


FIG. 7