



US00D915121S

(12) **United States Design Patent** (10) **Patent No.:** **US D915,121 S**  
**Kahn et al.** (45) **Date of Patent:** **\*\* Apr. 6, 2021**

(54) **PELLET GRILL**

OTHER PUBLICATIONS

(71) Applicant: **Jordan Kahn Company, Inc.**, Newton, MA (US)

Cuisinart Clermont Pellet Grill & Smoker, Cuisinart.com, [online], [site visited Jan. 19, 2021], Available from internet URL: [https://www.cuisinart.com/shopping/outdoor-grilling/smokers\\_pellets/cgwm-080/](https://www.cuisinart.com/shopping/outdoor-grilling/smokers_pellets/cgwm-080/) (Year: 2021).\*

(72) Inventors: **Kris Kahn**, Wellesley, MA (US); **Lois Glasgow**, Walpole, MA (US); **Patrick T. Thrailkill**, Utica, NY (US)

Clermont Final Video, first available Jan. 19, 2021, YouTube, [online], [site visited Jan. 19, 2021], Available from internet URL: <https://www.youtube.com/watch?v=sq9vWNOSFFg> (Year: 2021).\*

(\*\*) Term: **15 Years**

\* cited by examiner

(21) Appl. No.: **29/706,429**

*Primary Examiner* — Mary Ann Calabrese

(22) Filed: **Sep. 20, 2019**

*Assistant Examiner* — Natalya M Rapundalo

(51) **LOC (13) Cl.** ..... **07-02**

(74) *Attorney, Agent, or Firm* — Frank Marino

(52) **U.S. Cl.**

USPC ..... **D7/334**

(58) **Field of Classification Search**

(57) **CLAIM**

USPC ..... D7/323, 327, 332, 334, 335, 339, 347, D7/348, 350.2, 350.3, 350.4, 354, 402

The ornamental design for a pellet grill, as shown and described.

CPC .. A47J 33/00; A47J 36/38; A47J 37/00; A47J 37/04; A47J 37/06; A47J 37/0623; A47J 37/0629; A47J 37/0635; A47J 37/0647; A47J 37/0652; A47J 37/0658; A47J 37/07; A47J 37/0704; A47J 37/0709; A47J 37/0713; A47J 37/0718; A47J 37/0722; A47J 37/0727; A47J 37/075; A47J 37/0754; A47J 37/0763; A47J 37/0786; A47J 2037/0777; F24C 1/16; F24C 5/20

**DESCRIPTION**

See application file for complete search history.

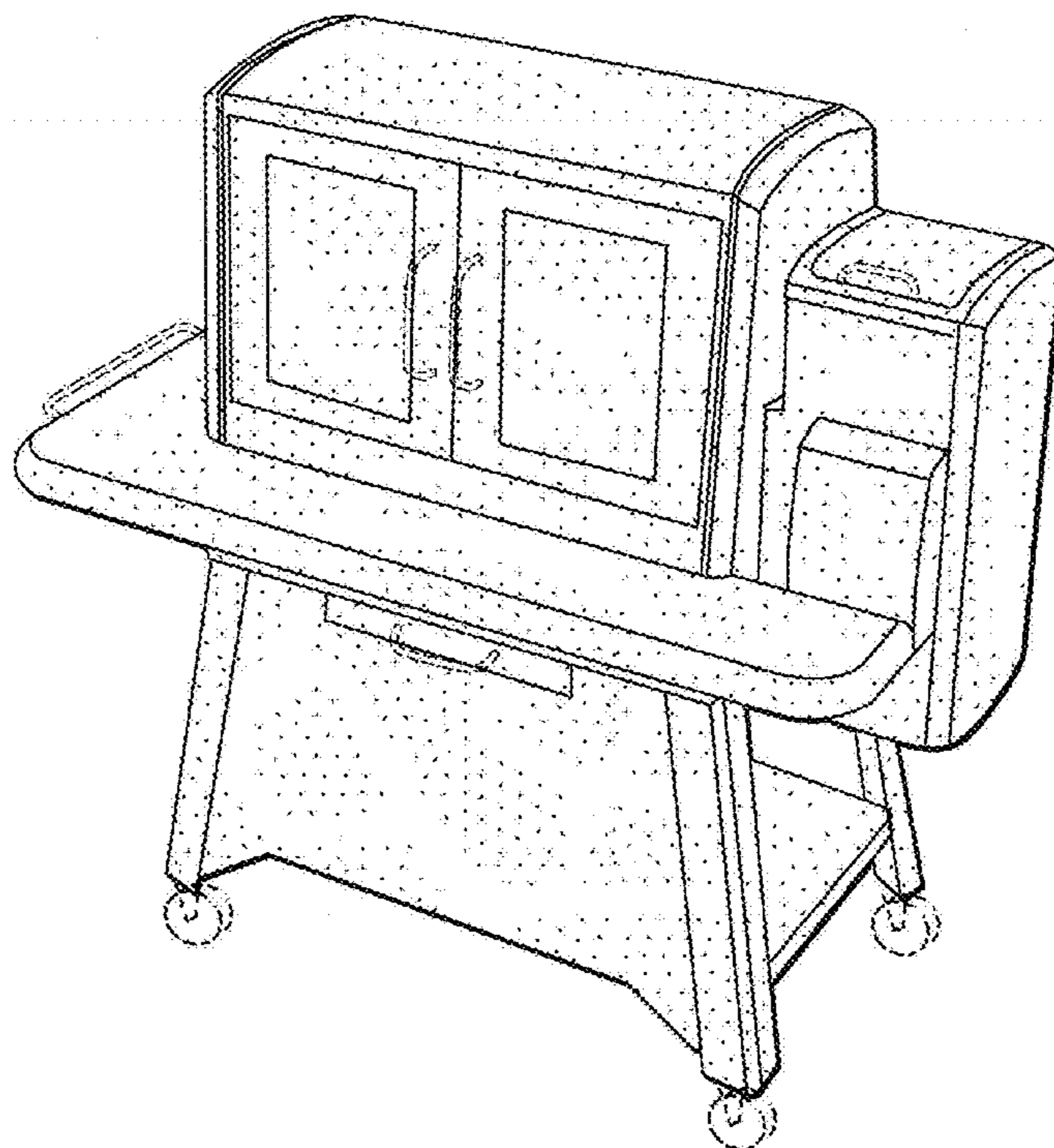
FIG. 1 is a perspective view of a pellet grill according to my new design;  
FIG. 2 is a front view of the pellet grill of FIG. 1;  
FIG. 3 is a right side elevation view of the pellet grill of FIG. 1;  
FIG. 4 is a left side elevation view of the pellet grill of FIG. 1; and,  
FIG. 5 is a top view of the pellet grill of FIG. 1.  
The rear view and the bottom view and all features shown in broken lines, form no part of the claimed design.

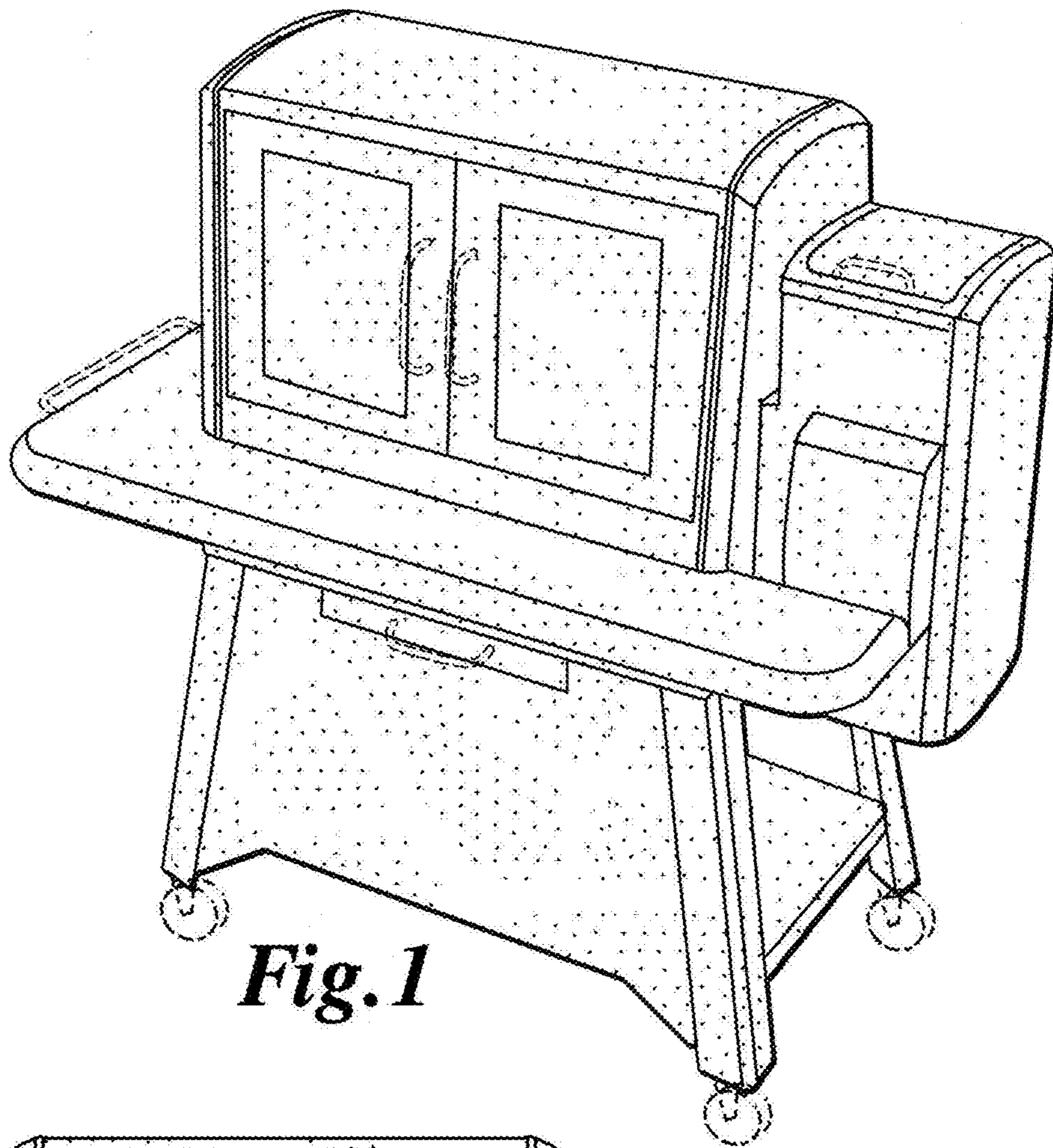
(56) **References Cited**

U.S. PATENT DOCUMENTS

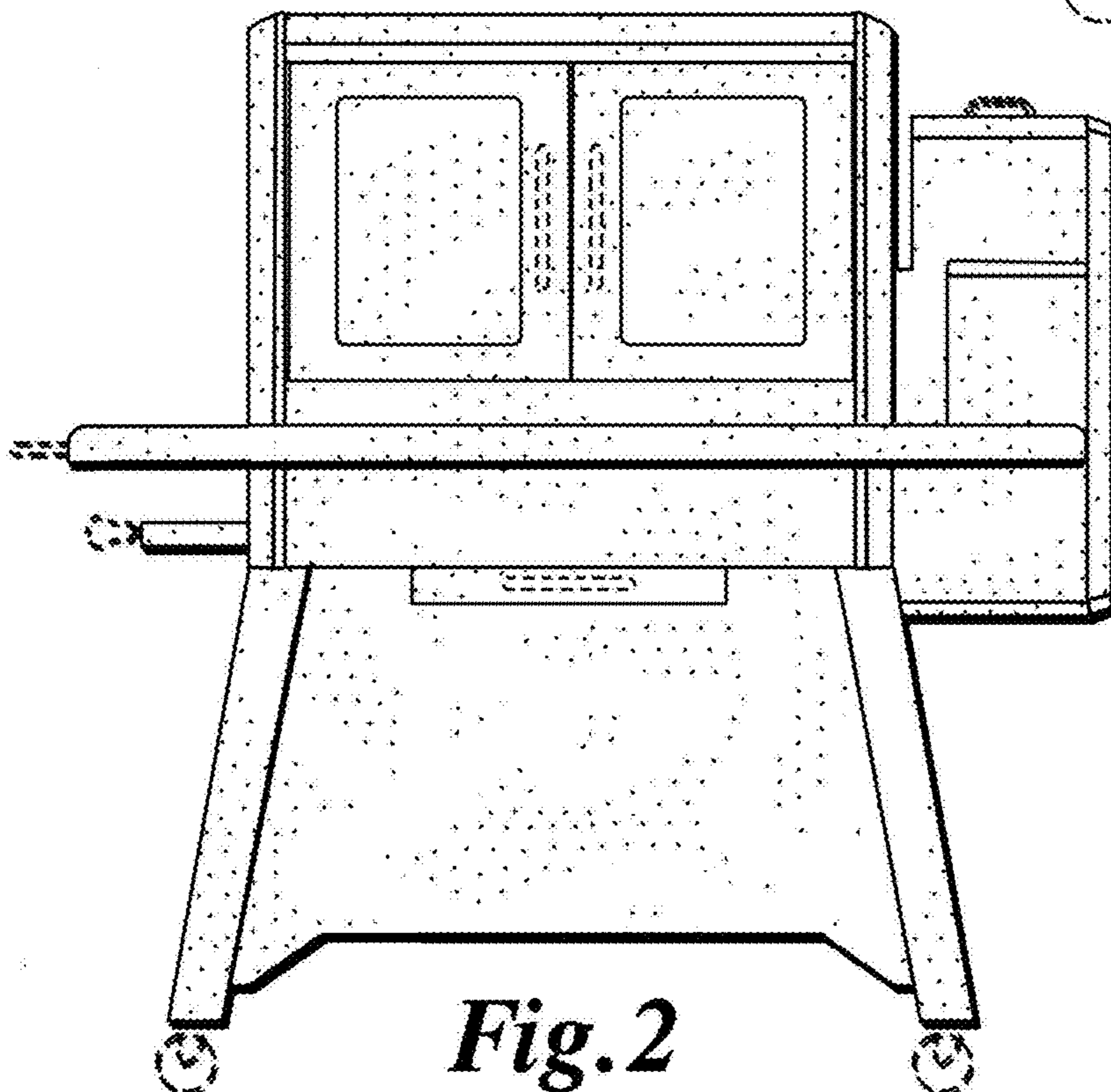
2020/0093145 A1\* 3/2020 Powell ..... A47J 37/0718

**1 Claim, 2 Drawing Sheets**

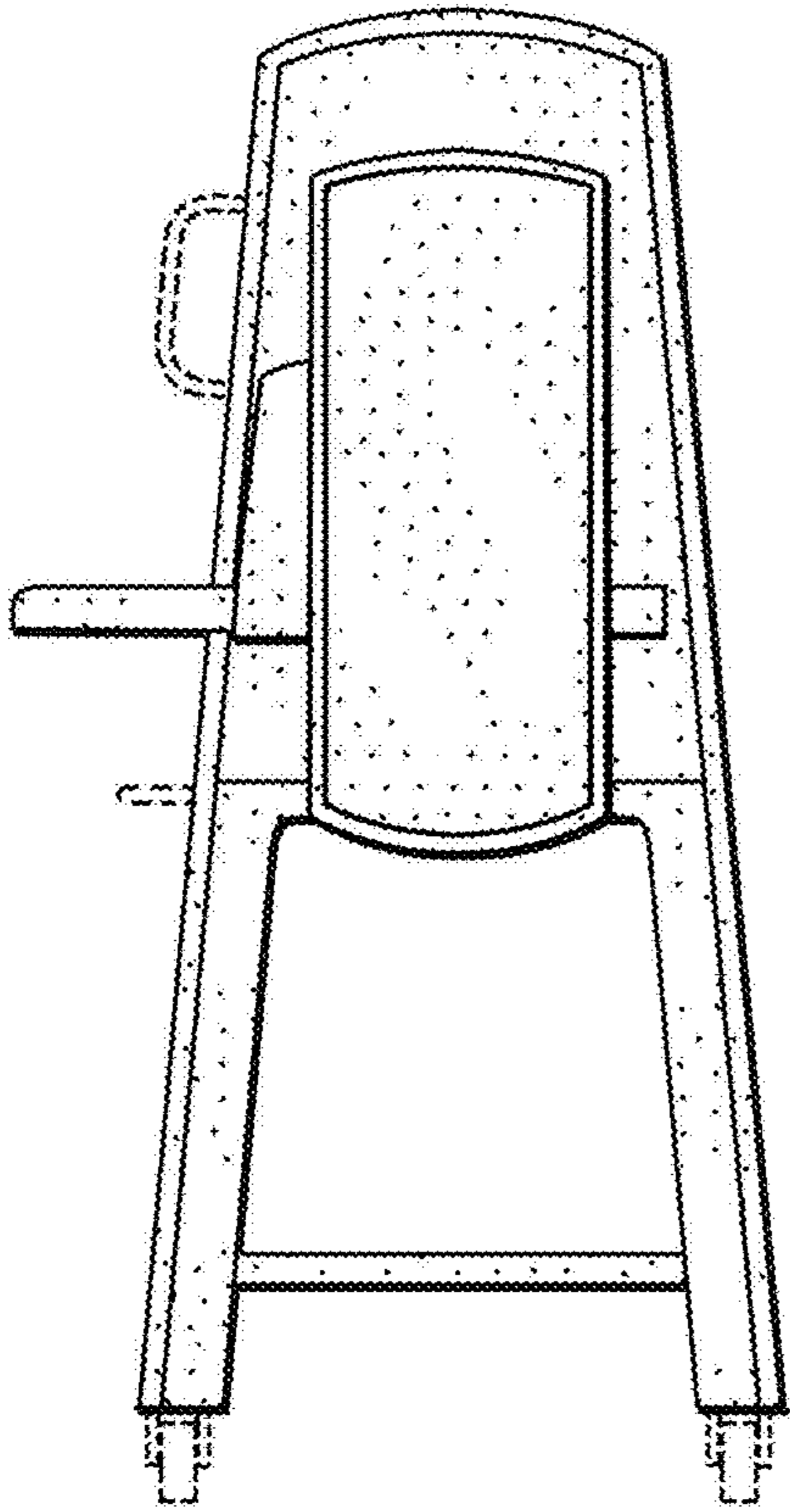




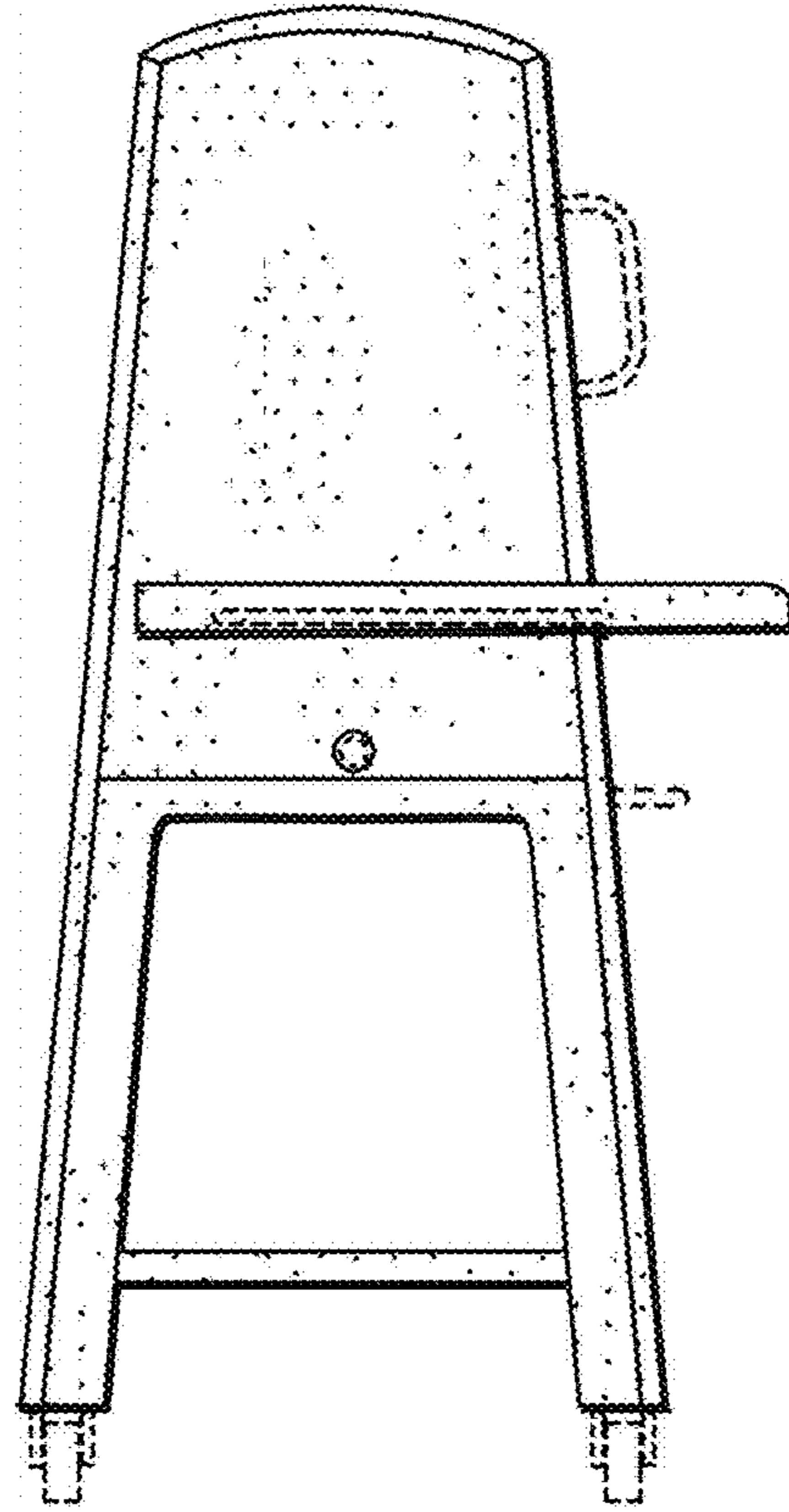
*Fig. 1*



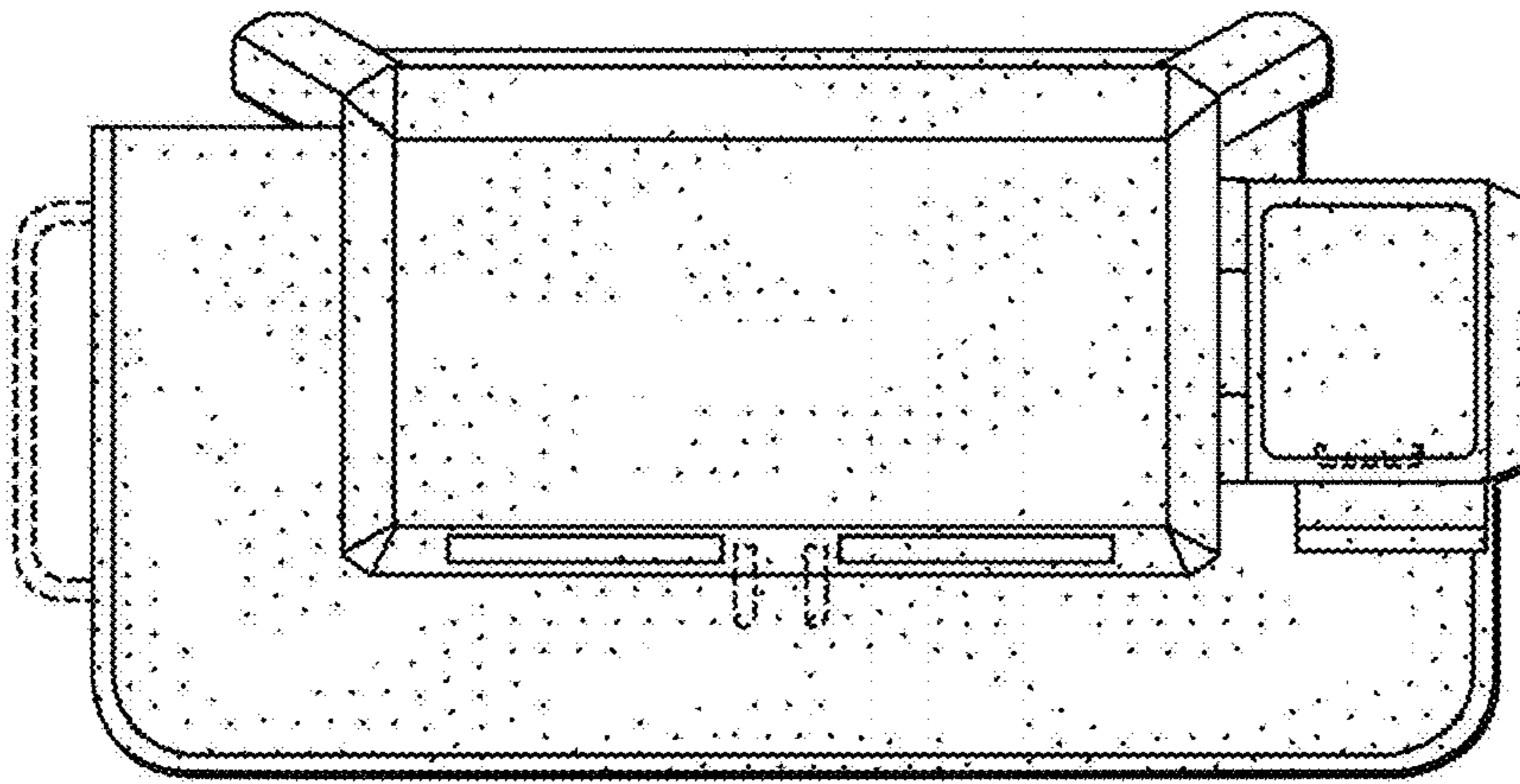
*Fig. 2*



*Fig. 3*



*Fig. 4*



*Fig. 5*