



US00D915119S

(12) **United States Design Patent**  
**Kennedy et al.**

(10) **Patent No.:** **US D915,119 S**  
(45) **Date of Patent:** **\*\* Apr. 6, 2021**

(54) **SIDE RAIL**

(71) Applicant: **Stryker Corporation**, Kalamazoo, MI (US)

(72) Inventors: **Jeffrey Alan Kennedy**, Kalamazoo, MI (US); **Kurosh Nahavandi**, Portage, MI (US); **Justin Benacquisto**, New Baltimore, MI (US); **Kyle Stephen Spieker**, Kalamazoo, MI (US); **Christopher Ryan Sweeney**, Portage, MI (US)

(73) Assignee: **Stryker Corporation**, Kalamazoo, MI (US)

(\*\*) Term: **15 Years**

(21) Appl. No.: **29/718,849**

(22) Filed: **Dec. 30, 2019**

(51) **LOC (13) Cl.** ..... **06-06**

(52) **U.S. Cl.**  
USPC ..... **D6/718.3**

(58) **Field of Classification Search**  
USPC ..... D6/390, 391, 392, 718.3; D24/184, 183  
CPC ..... A61G 7/00; A61G 7/005; A61G 7/015; A61G 7/0506; A61G 7/0507; A61G 7/0513

See application file for complete search history.

(56) **References Cited**

**U.S. PATENT DOCUMENTS**

D427,465 S \* 7/2000 Thom ..... D6/718  
8,387,179 B2 \* 3/2013 Metz ..... A61G 7/0514  
5/428  
D710,510 S \* 8/2014 Leng ..... D24/184  
D769,042 S \* 10/2016 O'Neal ..... D6/718.3

(Continued)

**OTHER PUBLICATIONS**

AJ-Great Limited, "CGM Vanguard Intensive Care Bed Webpage", <http://www.aj-great.com/en/product/german-deka-junior-testing/>, 2019, 2 pages.

(Continued)

*Primary Examiner* — Cathron C Brooks

(74) *Attorney, Agent, or Firm* — Howard & Howard Attorneys PLLC

(57) **CLAIM**

The ornamental design for a side rail, as shown and described.

**DESCRIPTION**

FIG. 1 is a bottom, front, left side perspective view of a first embodiment of a side rail;

FIG. 2 is a top, front, left side perspective view of the side rail of FIG. 1;

FIG. 3 is a bottom, rear, right side perspective view of the side rail of FIG. 1;

FIG. 4 is a rear view of the side rail of FIG. 1;

FIG. 5 is a front view of the side rail of FIG. 1;

FIG. 6 is a right side view of the side rail of FIG. 1;

FIG. 7 is a left side view of the side rail of FIG. 1;

FIG. 8 is a top view of the side rail of FIG. 1;

FIG. 9 is a bottom view of the side rail of FIG. 1;

FIG. 10 is a bottom, front, left side perspective view of a second embodiment of a side rail;

FIG. 11 is a top, front, left side perspective view of the side rail of FIG. 10;

FIG. 12 is a bottom, rear, right side perspective view of the side rail of FIG. 10;

FIG. 13 is a rear view of the side rail of FIG. 10;

FIG. 14 is a front view of the side rail of FIG. 10;

FIG. 15 is a right side view of the side rail of FIG. 10;

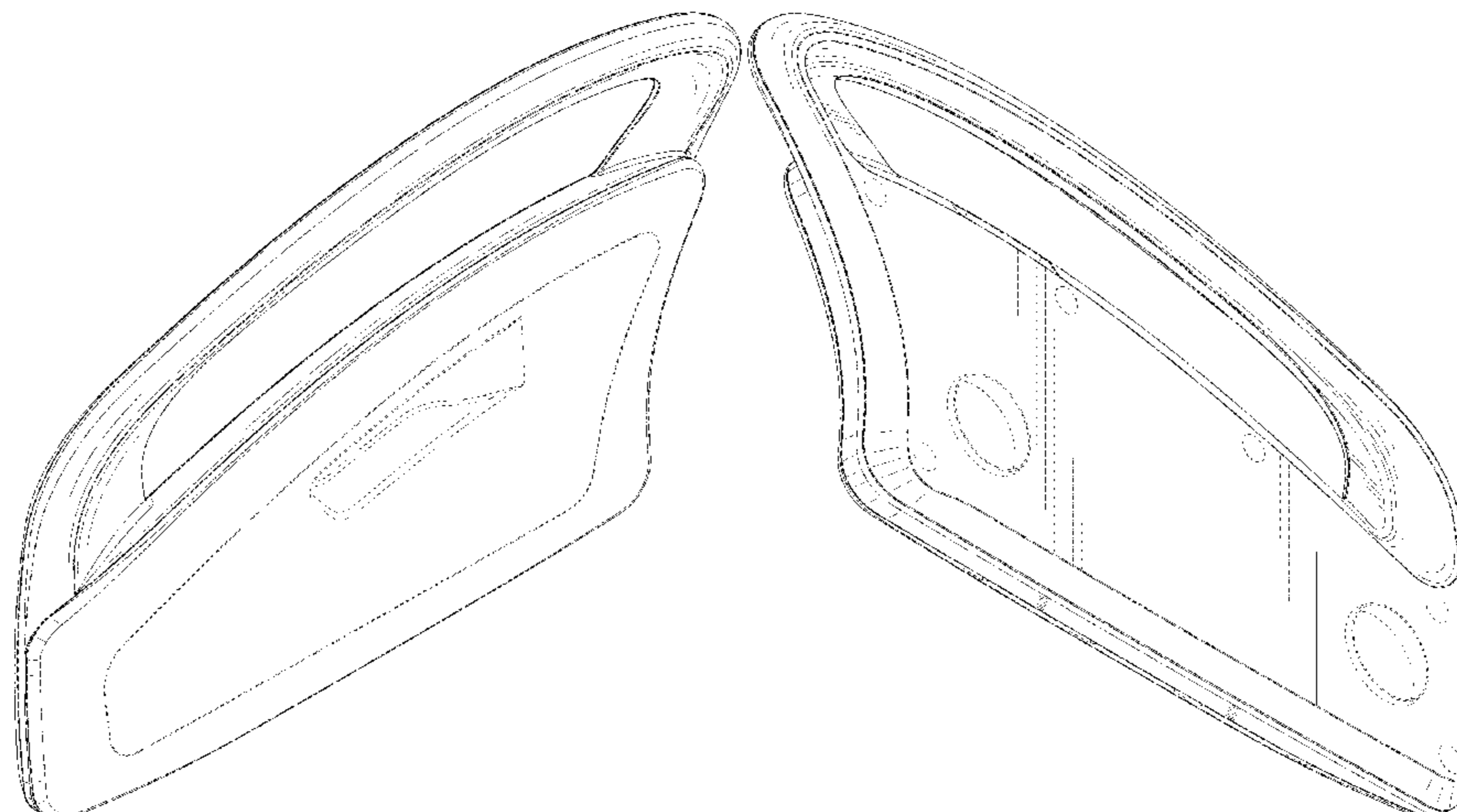
FIG. 16 is a left side view of the side rail of FIG. 10;

FIG. 17 is a top view of the side rail of FIG. 10; and,

FIG. 18 is a bottom view of the side rail of FIG. 10.

The broken lines in the drawings depict portions of the side rail that form no part of the claimed design.

**1 Claim, 14 Drawing Sheets**



(56)

References Cited

U.S. PATENT DOCUMENTS

|              |      |         |                |                         |
|--------------|------|---------|----------------|-------------------------|
| 9,615,983    | B2   | 4/2017  | Stryker et al. |                         |
| D819,382     | S *  | 6/2018  | O'Neal         | D6/718.3                |
| D850,179     | S *  | 6/2019  | Zerhusen       | A61G 7/0514<br>D6/718.3 |
| 10,470,955   | B2 * | 11/2019 | Zerhusen       | A61G 7/1051             |
| 2020/0107980 | A1   | 4/2020  | Cutler et al.  |                         |
| 2020/0107983 | A1   | 4/2020  | Cutler et al.  |                         |

OTHER PUBLICATIONS

Arjohuntleigh, "Citadel Hospital Bed Webpage", <https://www.arjo.com/int/products/medical-beds/intensive-and-critical-care/citadel-patient-therapy> . . . , 2019, 2 pages.

Arjohuntleigh, "Enterprise 8000X (E8X) Hospital Bed Brochure", 2015, 2 pages.

Arjohuntleigh, "Enterprise 9000X Hospital Bed Webpage", <https://www.arjo.com/int/products/medical-beds/hospital-beds/enterprise-range/enterprise-9000x/> . . . , 2019, 2 pages.

Hill-Rom, "1000 Bed Brochure", 2019, 3 pages.

Hill-Rom, "900 Accella Hospital Bed Webpage", <https://www.hill-rom.com/international/Products/Products-by-Category/hospital-beds-long-term-care> . . . , 2019, 1 page.

Hill-Rom, "900 Hospital Bed Webpage", <https://www.hill-rom.com/international/Products/Products-by-Category/hospital-beds-long-term-care> . . . , 2019, 1 page.

Hill-Rom "CareAssist ES Bed Webpage", <https://homecare.hill-rom.com/en/durable-medical-equipment/medical-beds/moderate-condition/careassist-es-medical-surgical-bed/>, 2019, 2 pages.

Hill-Rom, "Centuris Bed Brochure", 2016, 8 pages.

Hill-Rom, "Century Series Bed Webpage", <https://direct.hill-rom.com/hillromUS/en/Products/Beds/CENTURY-BED/p/1592CB2B-DB15-4C4B-842C-880DC3F9AFA1>, 2019, 3 pages.

Hill-Rom, "Progressa Bed System Webpage", <https://www.hill-rom.com/international/Products/Products-by-Category/hospital-beds-long-term-care> . . . , 2019, 1 page.

Hill-Rom, P1900 TotalCare Hospital Bed Webpage, <https://monetmedical.com/product/hill-rom-p1900-totalcare-bed/>, 2019, 4 pages.

Howard Wright, "M10 Bed Webpage", <https://www.howardwrightcares.com/beds/m10-bed>, 2019, 2 pages.

Janak, "Executive Series EX5000 Plus Intensive Care Bed Webpage" <https://www.medicaexpo.com/prod/janak-healthcare/product-99753-709076.html>, 2019, 6 pages.

Joseoncare, "Hospital Beds Webpage", <http://www.hospitalbed-joseoncare.com/en/category/Hospital-Products/A01.html>, 2019, 2 pages.

Linet, "Eleganza 2 Hospital Bed Brochure", 2018, 20 pages.

Linet, "Eleganza 3 Hospital Bed Brochure", 2013, 16 pages.

Linet, "Eleganza 3XC Hospital Bed Brochure", 2018, 2 pages.

Linet, "Eleganza 5 Hospital Bed Webpage", <http://www.linetamericas.com/en/acute-care-beds/intensive-care/eleganza-5-us>, 2019, 4 pages.

Linet, "Multicare Therapy Bed Webpage", <http://www.linetamericas.com/en/health-care-beds/intensive-care-beds/multicare>, 2019, 7 pages.

Malvestio, "ICU Bed With Weighing System Webpage", <https://malvestio.it/en/prodotti/ici/vivo-icu-bed-weighing-system-mattress-378250B/37>, 2019, 1 page.

Malvestio, "PCU Electric Beds With Weighing Scale System Webpage", <https://malvestio.it/en/prodotti/ward/sigma-cardiac-and-progressive-care-unit-sigma-pcu-electric-bed> . . . , 2019, 1 page.

Pardo, "HiTech Act Hospital Bed Webpage", <https://www.pardo.es/en/hospital-range/hospital-beds/hitech-act>, 2019, 3 pages.

Pardo, "HiTech Hospital Bed Webpage", <https://www.pardo.es/en/hospital-range/hospital-beds/hitech>, 2019, 4 pages.

Sidhil, "Activ8 Vision ICU Bed Webpage", <https://www.sidhil.com/activ8-vision-icu-bed-activ8-v> . . . , 2019, 2 pages.

Sidhil, "Activ8 Vision ICU Bed With Lateral Tilt & CLRT Webpage", <https://www.sidhil.com/activ8-vision-icu-bed-with-lateral-tilt-therapy-activ8-v-It-Itt-ws>, 2019, 2 pages.

Sidhil, "Activ8 Vision ICU Bed With Lateral Tilt & Weigh Scales Webpage", <https://www.sidhil.com/activ8-vision-icu-bed-with-lateral-tilt-weigh-scales-activ8-v-It-Itt-ws>, 2019, 2 pages.

Sidhil, "Activ8 Vision ICU Bed With Lateral Tilt, CLRT and Weigh Scales Webpage", <https://www.sidhil.com/activ8-vision-icu-bed-with-lateral-tilt-therapy-weigh-scales-activ8-v-It-Itt-ws>, 2019, 2 pages.

Sidhil, "Activ8 Vision ICU Bed With Weigh Scales Webpage", <https://www.sidhil.com/activ8-vision-icu-bed-with-weigh-scales-activ8-v-ws>, 2019, 2 pages.

Stiegelmeier, "?Sicuro Pesa Hospital Bed Webpage", <https://www.stiegelmeier.com/en/hospital/hospital-beds/sicuro-pesa/>, 2019, 1 page.

Stiegelmeier, "Evario Hospital Bed Webpage", <https://www.stiegelmeier.com/en/hospital/hospital-beds/evario/>, 2019, 1 page.

Stryker, "InTouch Critical Care Bed Brochure", 2007, 18 pages.

Stryker, "MV3 Hospital Bed Webpage", 2019, [https://www.stryker.com/us/en/acute-care/products/mv3.html?gclid=EALalQobChMl87NmZik5w1VyEXVCh384gkHEAAYASAAEgLwHPD\\_BwE](https://www.stryker.com/us/en/acute-care/products/mv3.html?gclid=EALalQobChMl87NmZik5w1VyEXVCh384gkHEAAYASAAEgLwHPD_BwE), 2 pages.

Stryker, "S3 MedSurg Bed Brochure", 2008, 18 pages.

Stryker, "SV1 Hospital Bed Webpage" <https://patientcare.au/stryker.com/en-au/products/beds/specialty-beds/sv1>, 2019, 5 pages.

Stryker, "SV2 Hospital Bed Brochure", 2017, 2 pages.

Umano Medical, "Bariatric & Med-Surg Bed Specification Sheet", 2018, 2 pages.

\* cited by examiner



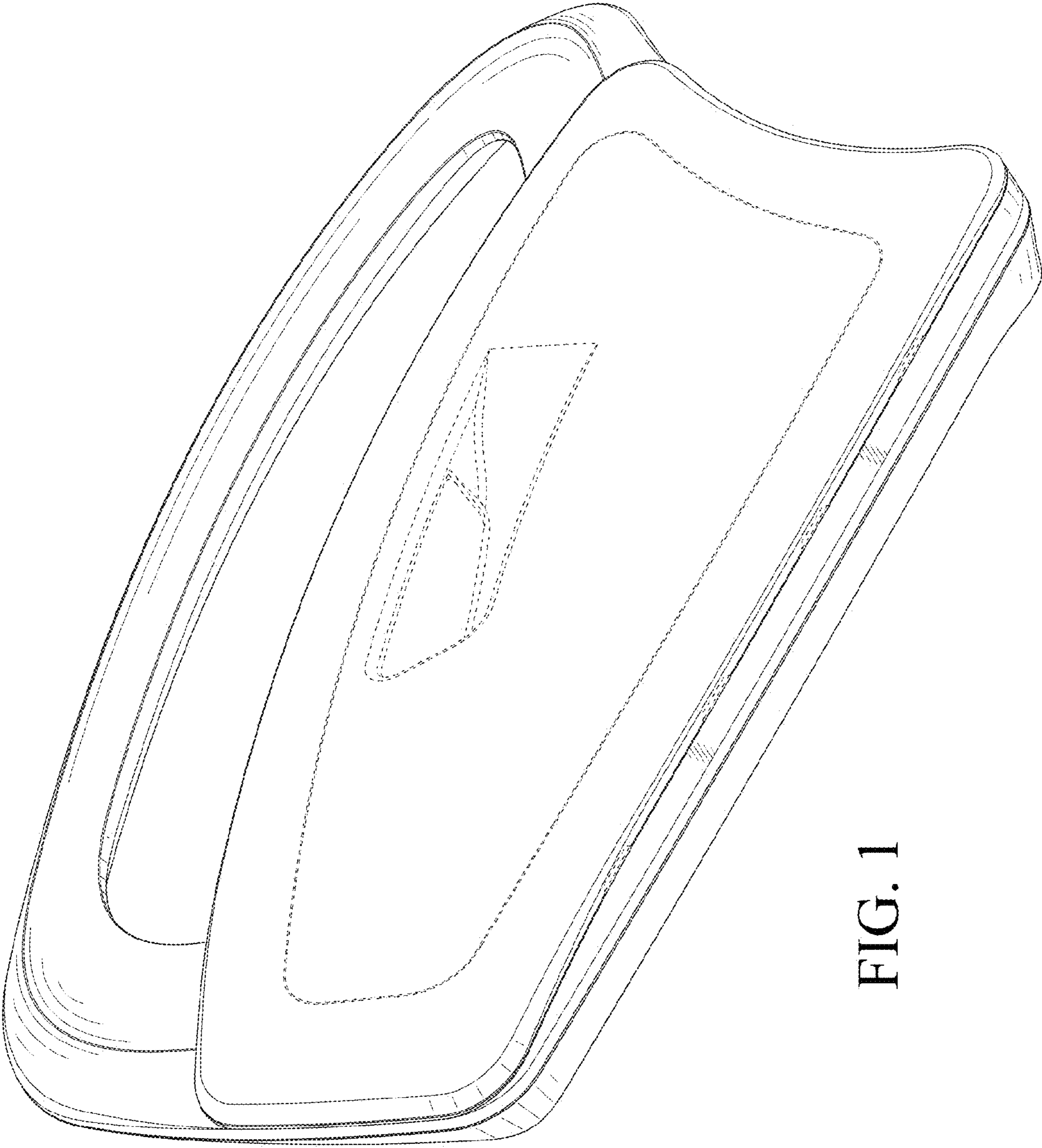


FIG. 1

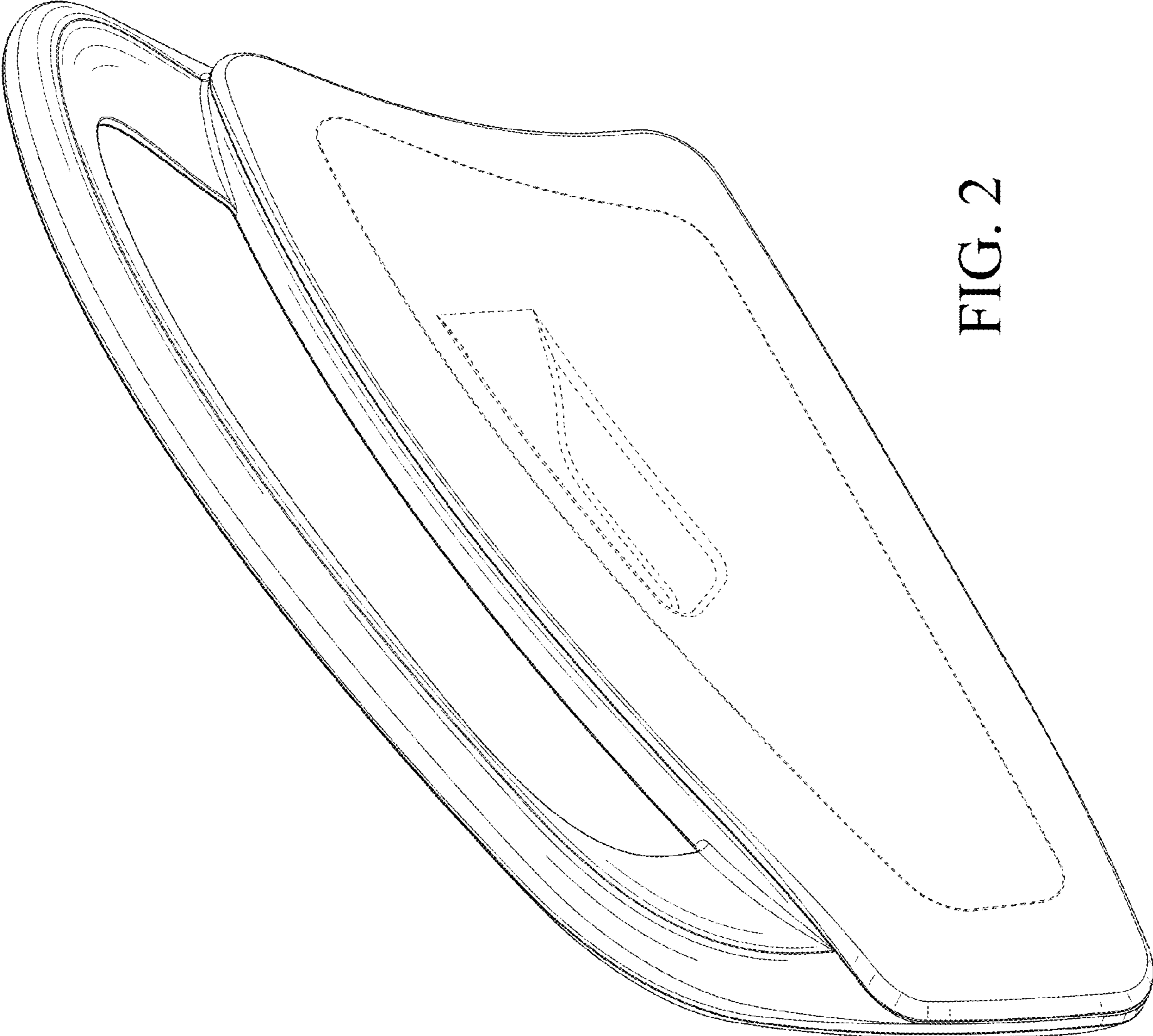


FIG. 2

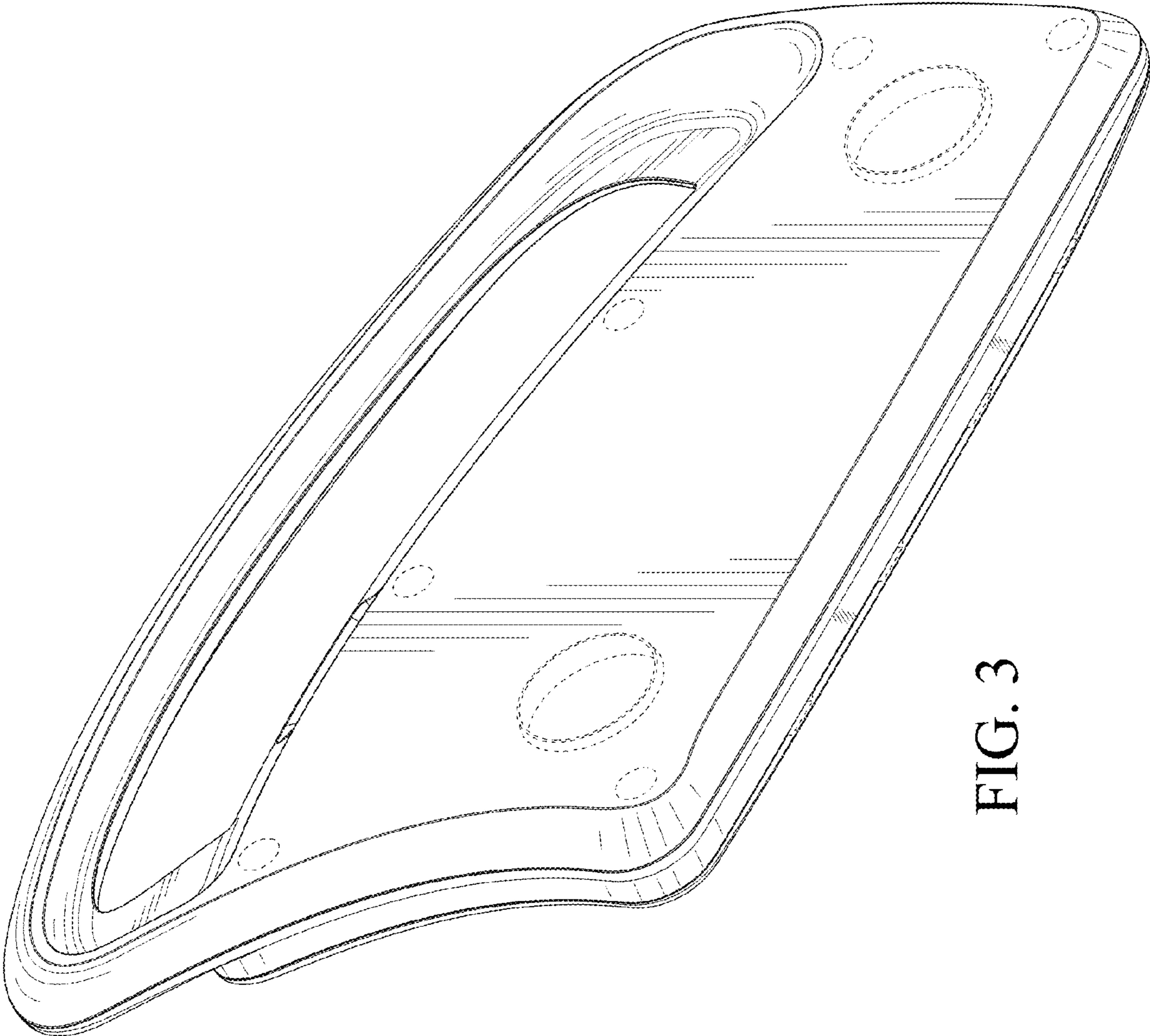


FIG. 3

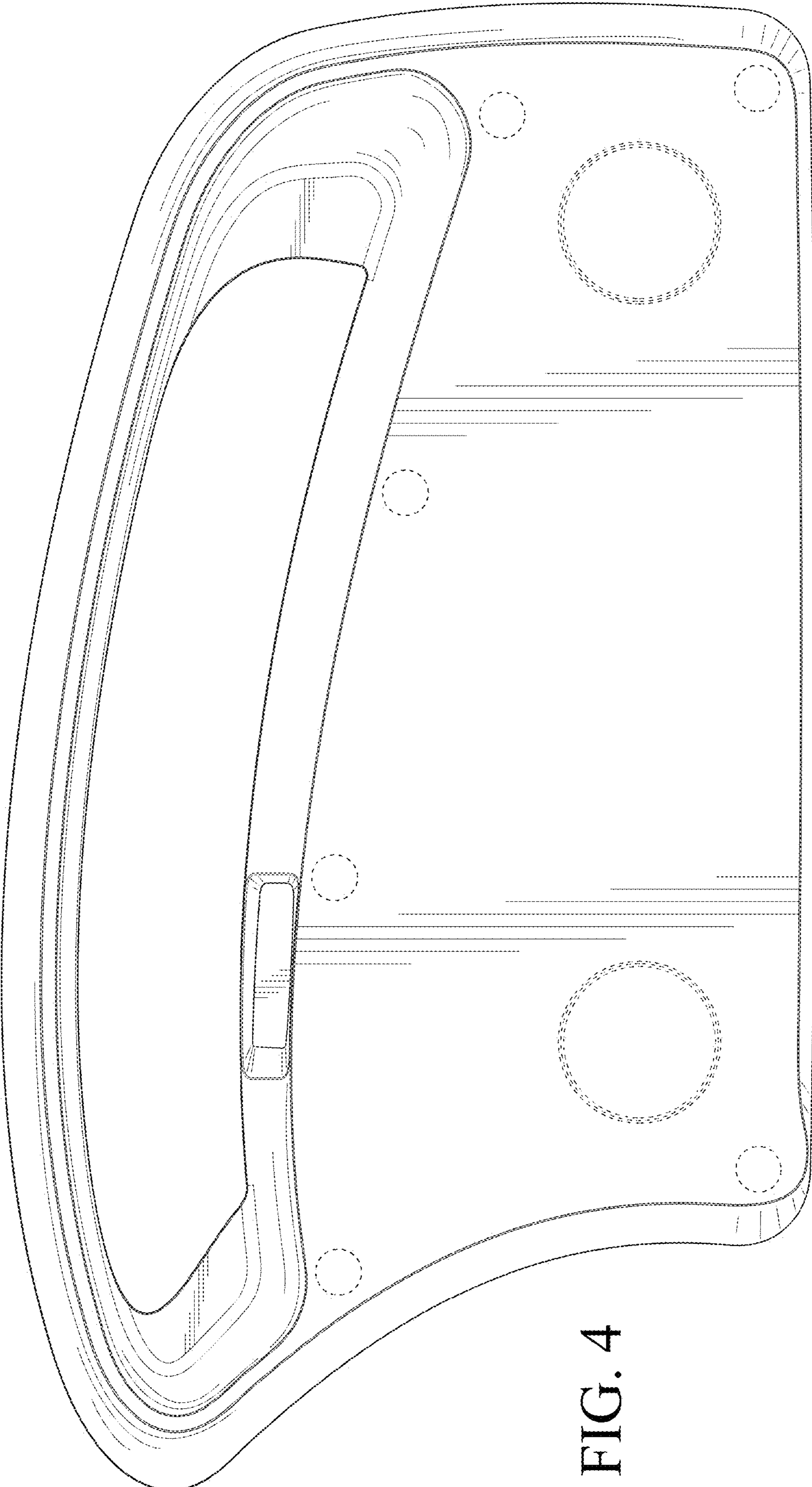


FIG. 4



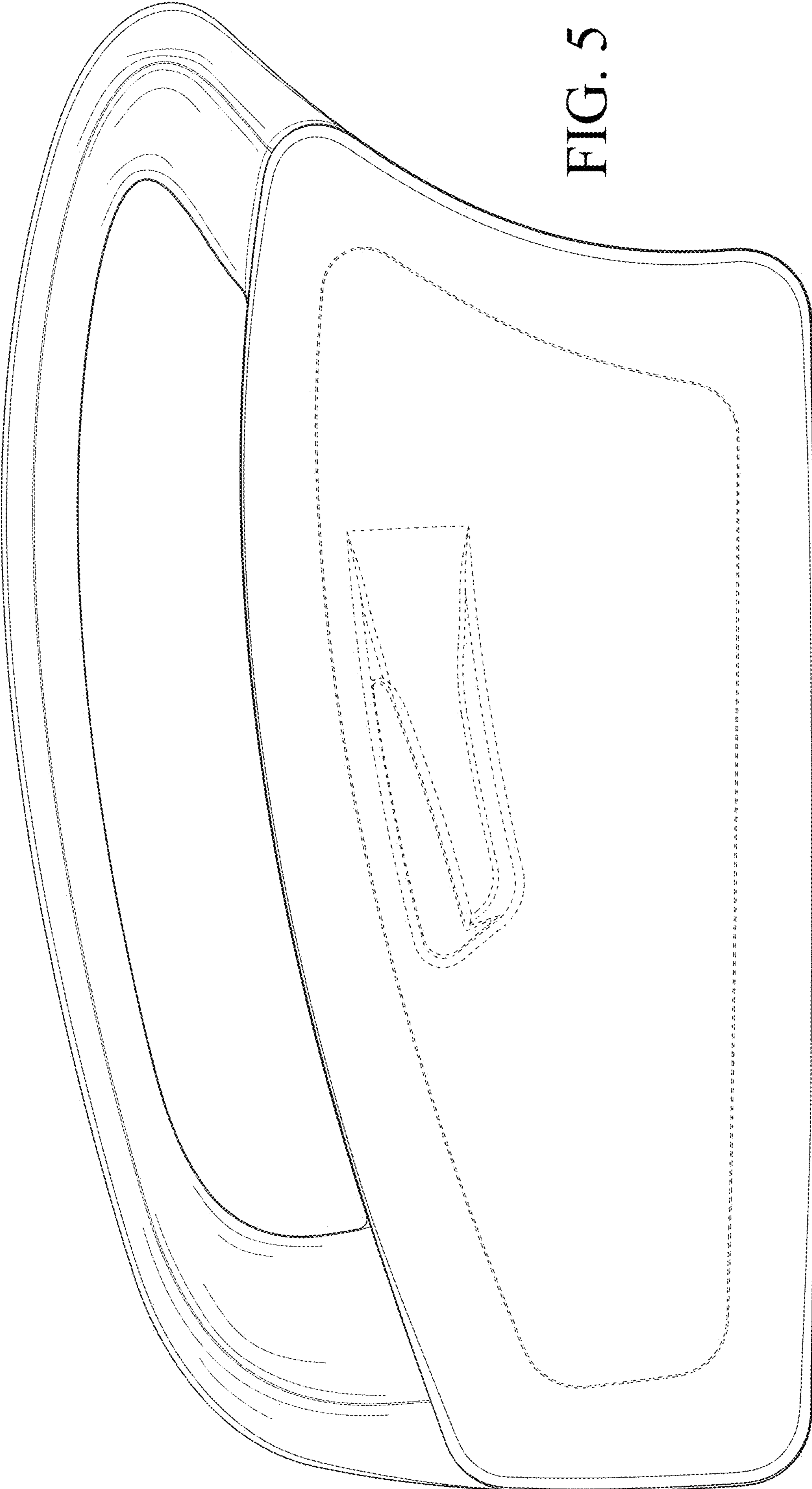


FIG. 5

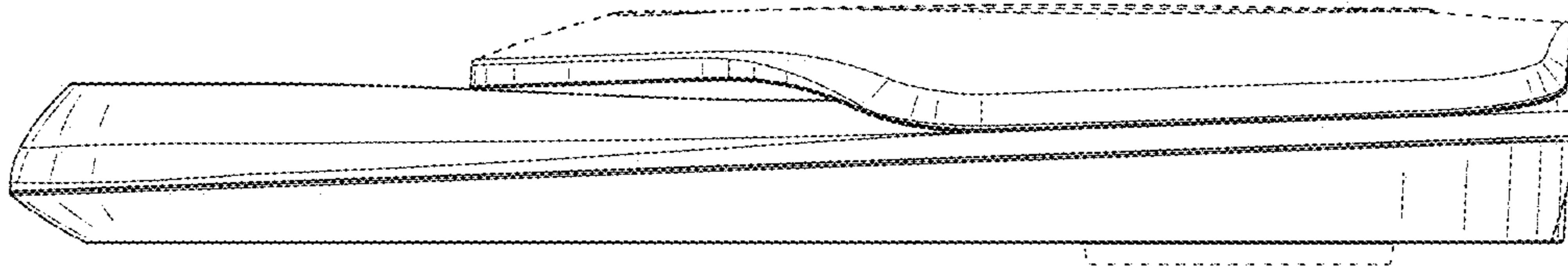


FIG. 7

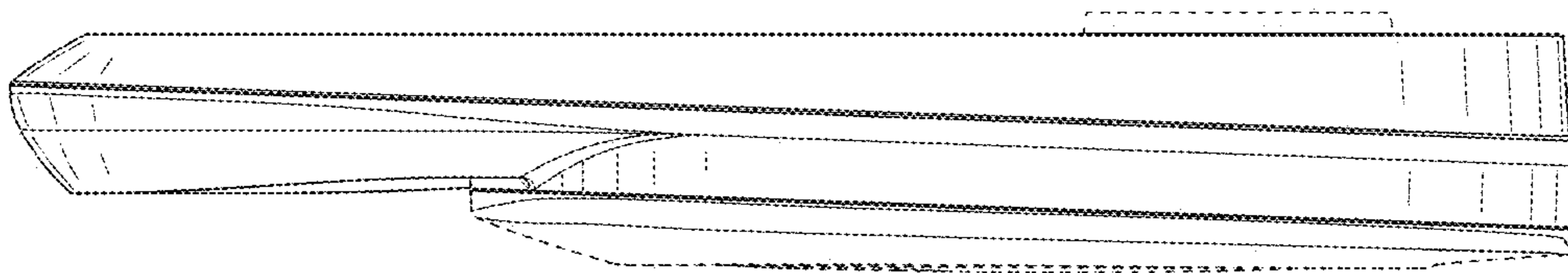


FIG. 6



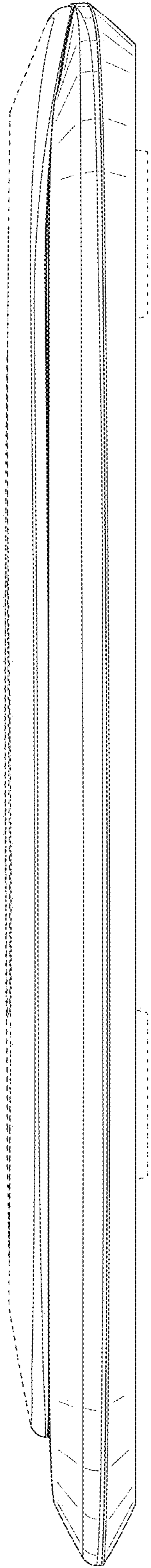


FIG. 8

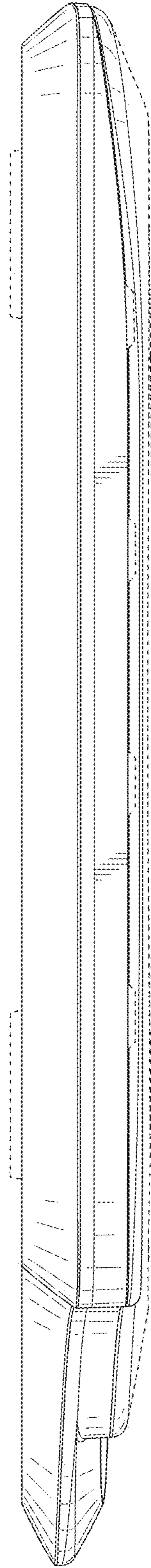


FIG. 9

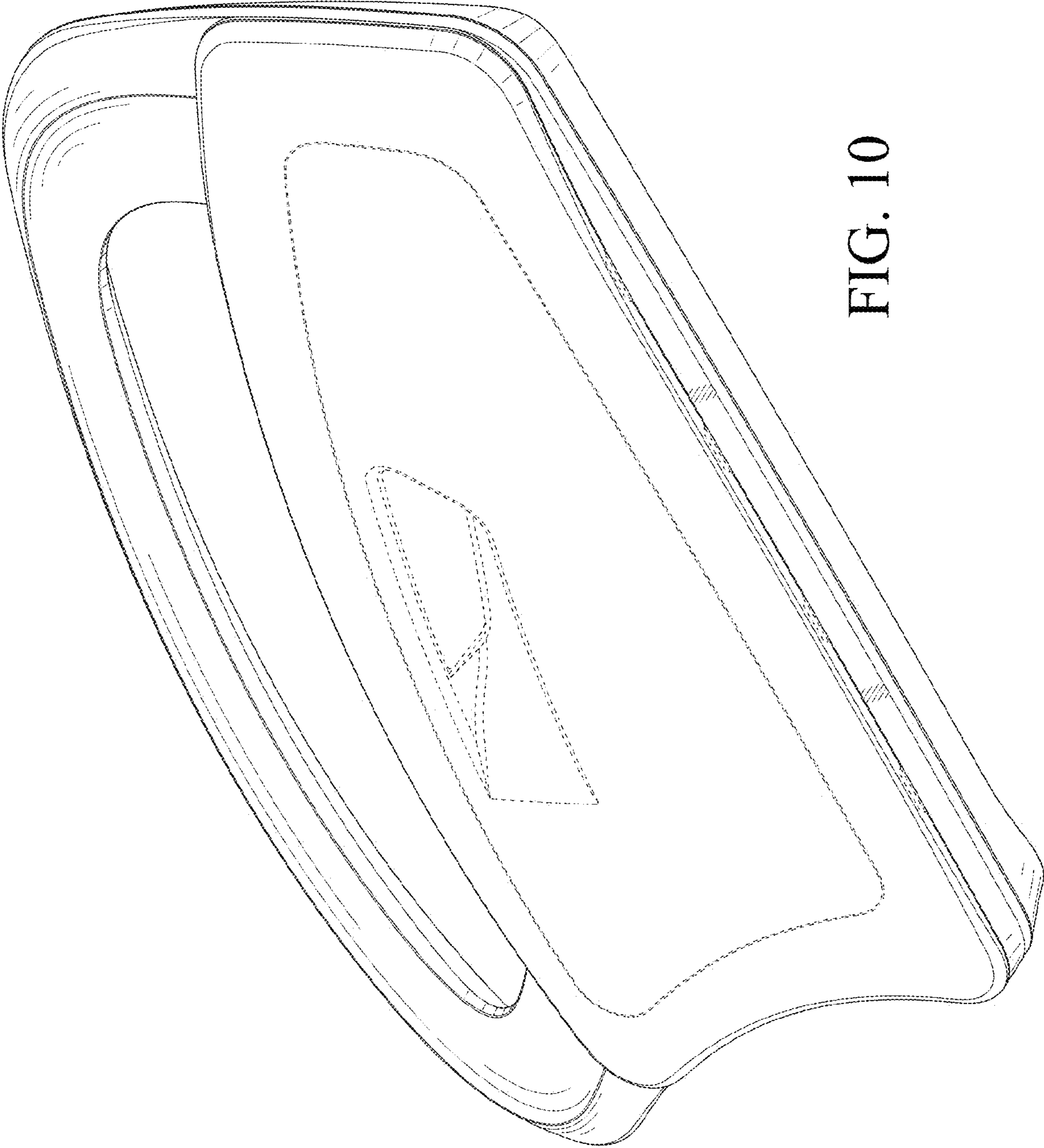


FIG. 10

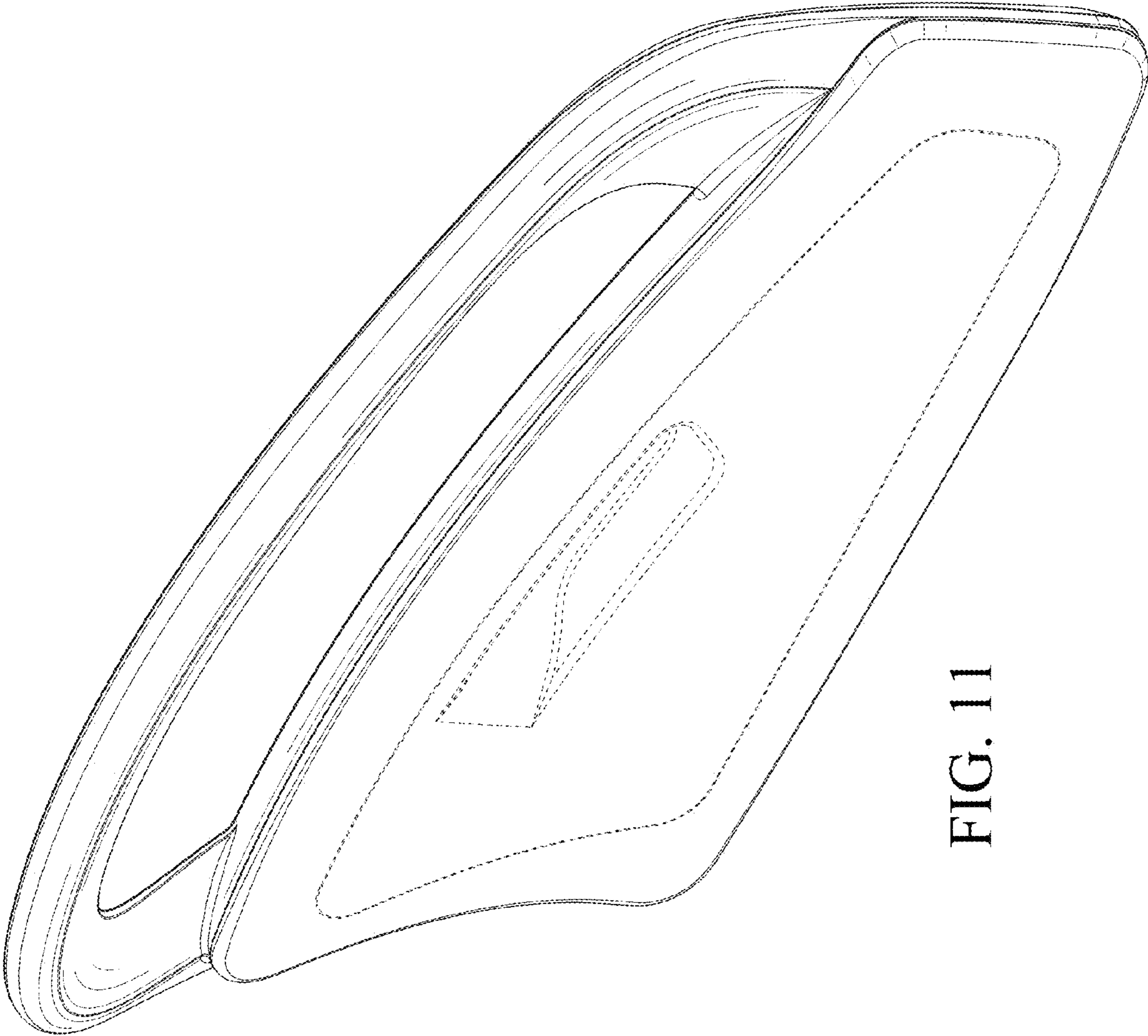


FIG. 11



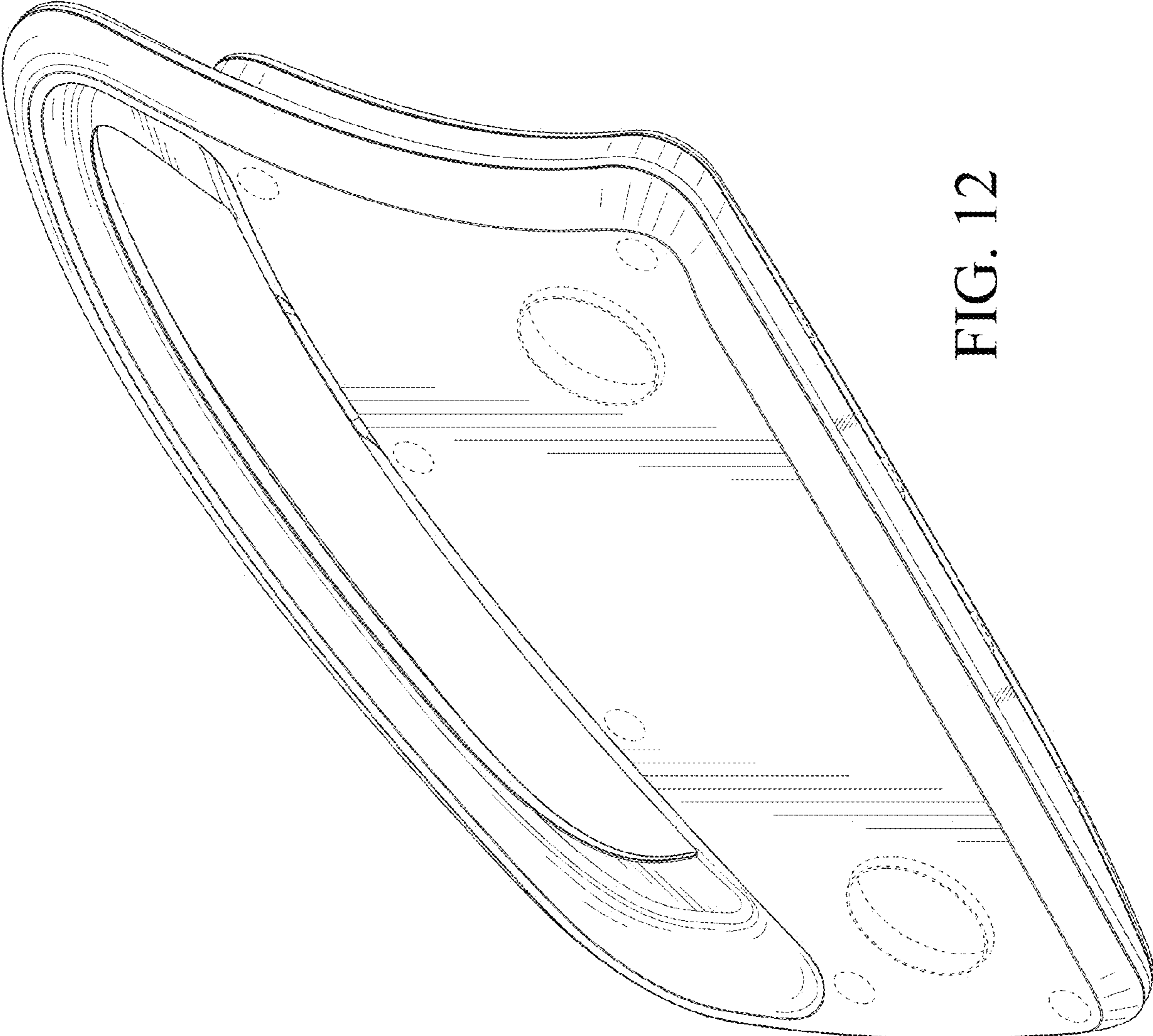


FIG. 12

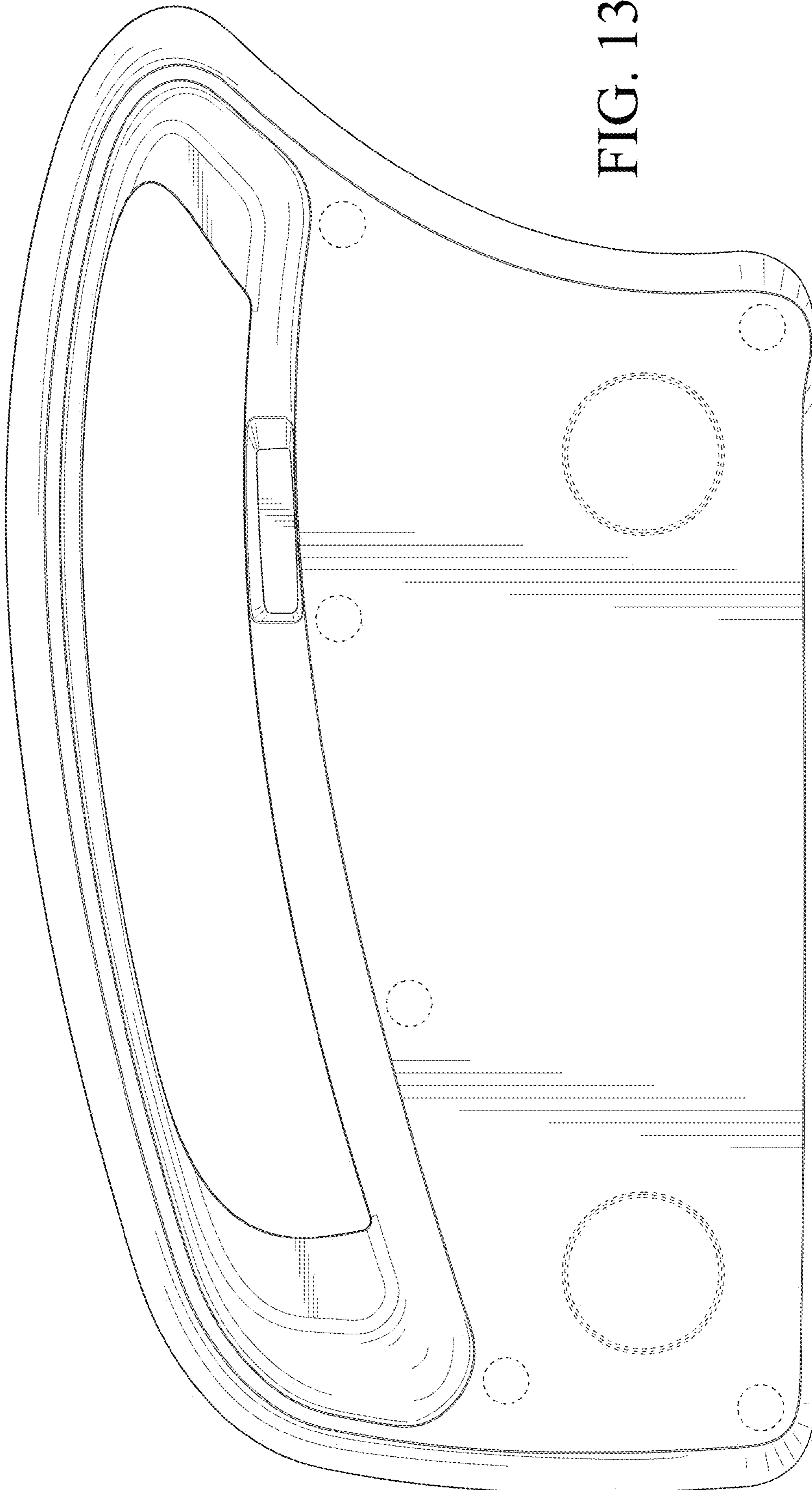


FIG. 13

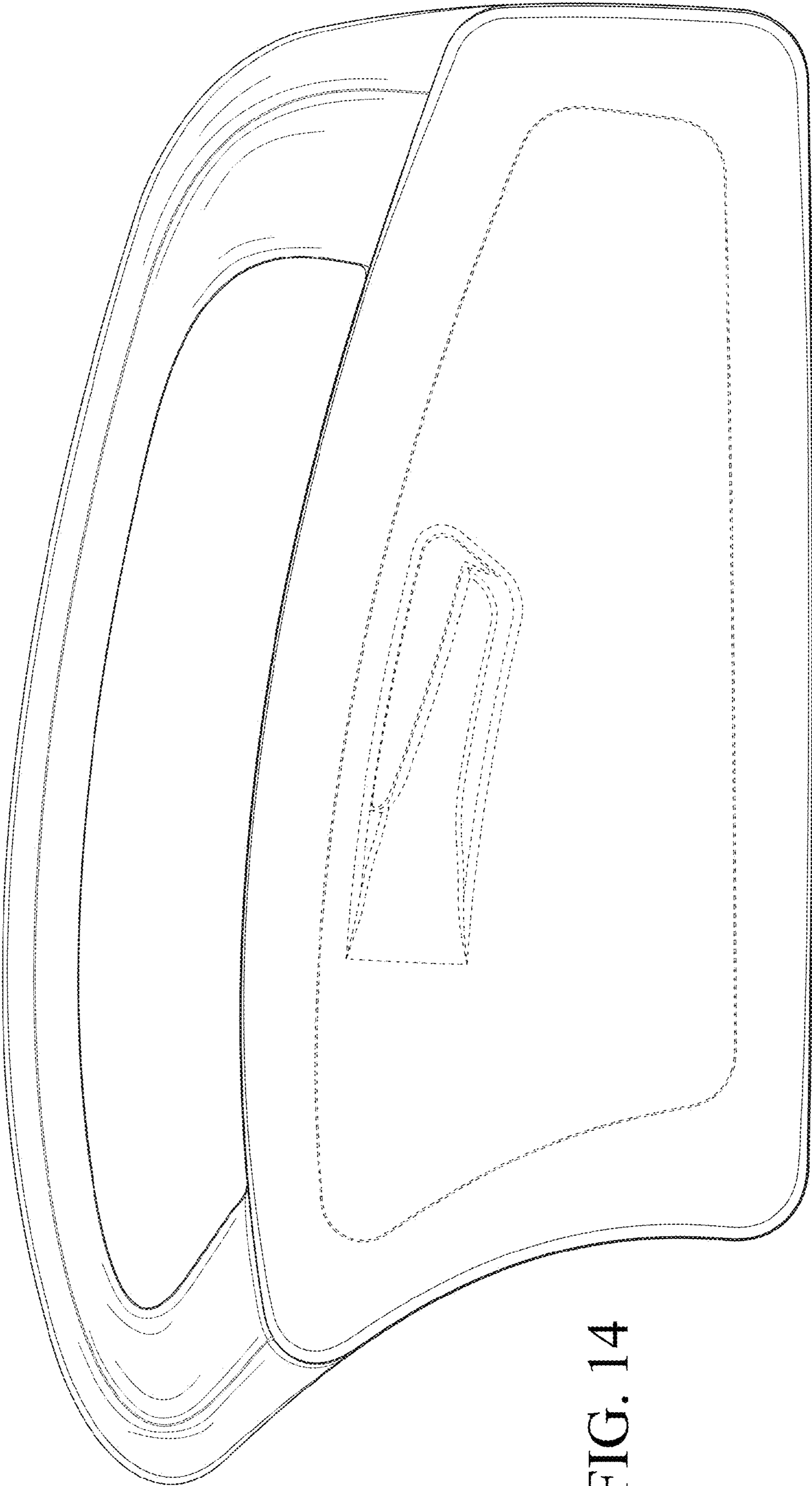


FIG. 14



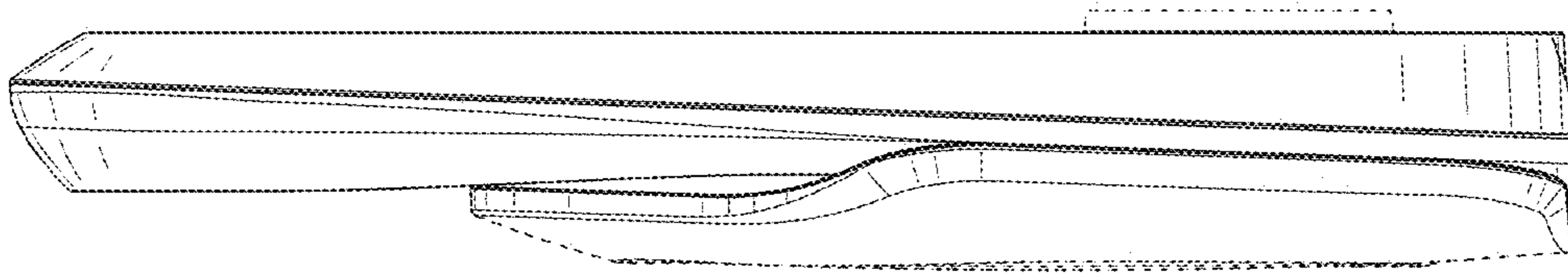
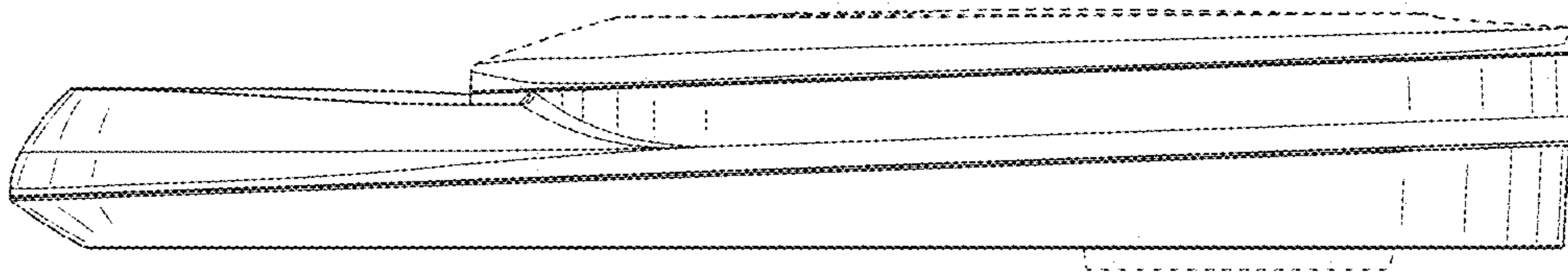


FIG. 16

FIG. 15



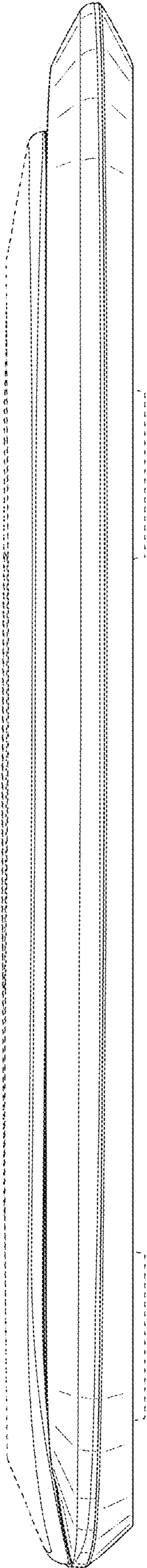


FIG. 17

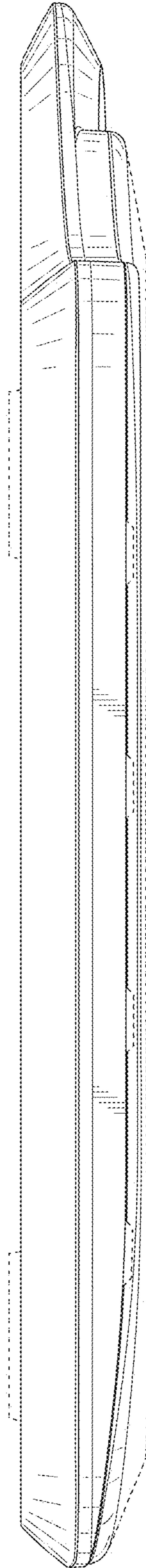


FIG. 18