



US00D915118S

(12) **United States Design Patent**
Savioli

(10) **Patent No.:** **US D915,118 S**

(45) **Date of Patent:** **** Apr. 6, 2021**

- (54) **ADJUSTABLE BED RAIL**
- (71) Applicant: **VIVE HEALTH LLC**, Naples, FL (US)
- (72) Inventor: **Gaetano Savioli**, Naples, FL (US)
- (73) Assignee: **VIVE HEALTH LLC**, Naples, FL (US)
- (**) Term: **15 Years**
- (21) Appl. No.: **29/695,465**
- (22) Filed: **Jun. 19, 2019**
- (51) **LOC (13) Cl.** **06-06**
- (52) **U.S. Cl.**
USPC **D6/718.3**
- (58) **Field of Classification Search**
USPC D6/390, 391, 392, 718, 718.3
CPC A47C 21/08; A61G 7/0507; A61G 7/0518;
A61G 7/053
See application file for complete search history.

6,425,154	B1 *	7/2002	O'Connell	A61G 7/053	482/121
6,539,569	B2 *	4/2003	O'Connell	A61G 7/053	482/121
7,373,679	B2 *	5/2008	Miller	A47C 21/08	5/426
7,775,228	B2 *	8/2010	Clark	A61G 7/1038	135/66
7,797,775	B2 *	9/2010	Miller	A61G 7/0509	5/662
8,973,192	B2 *	3/2015	Miller	A47C 21/08	5/662
9,387,141	B1 *	7/2016	Flannery	A47C 21/08	
2002/0078502	A1 *	6/2002	Baker	A61G 7/0518	5/429
2011/0185507	A1 *	8/2011	Abernathy	A61G 7/053	5/662

* cited by examiner

Primary Examiner — Cathron C Brooks

(74) *Attorney, Agent, or Firm* — Workman Nydegger

(57) **CLAIM**

The ornamental design for an adjustable bed rail, as shown and described.

DESCRIPTION

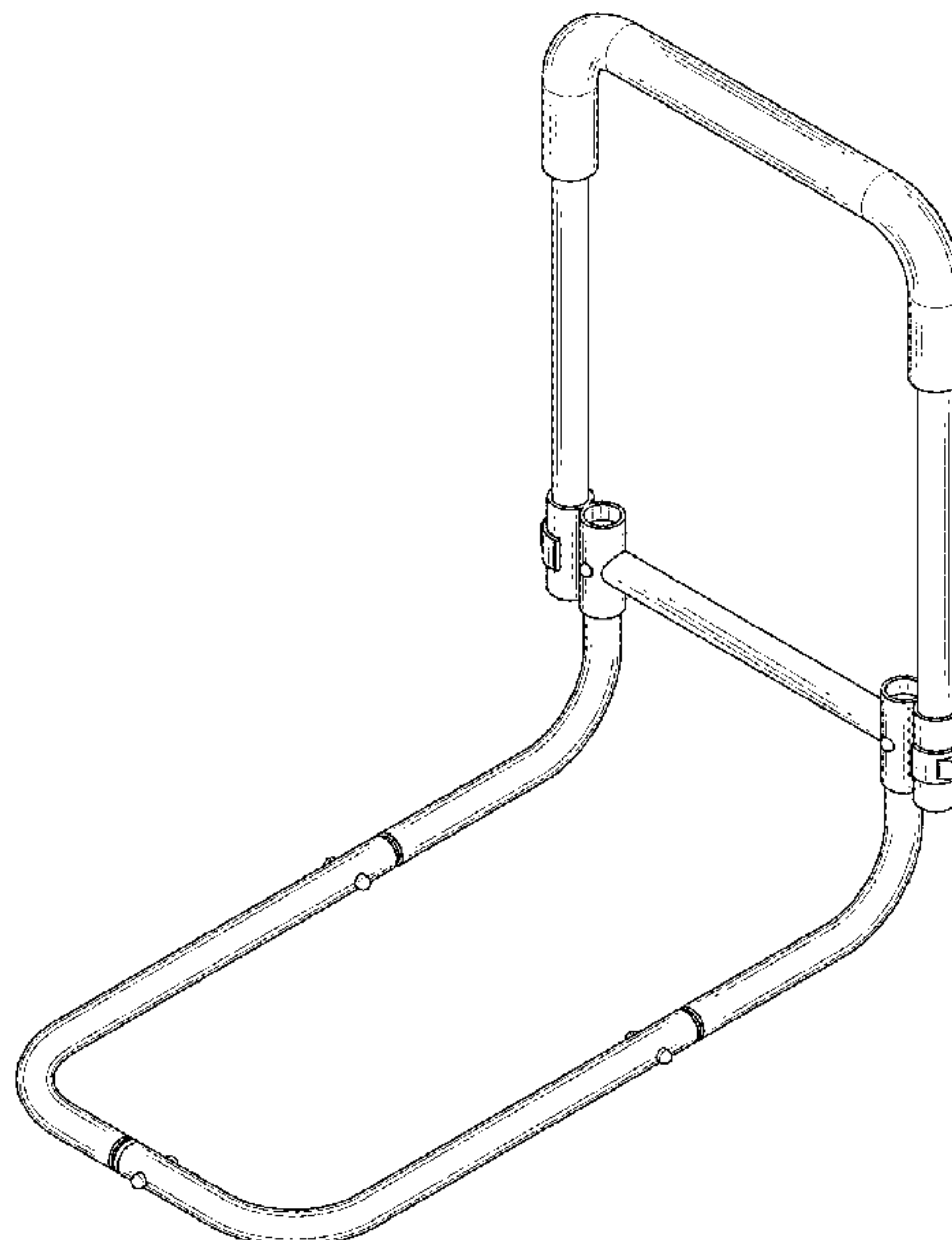
FIG. 1 is a front perspective view of an adjustable bed rail showing the new design;
 FIG. 2 is a front elevation view thereof;
 FIG. 3 is a right side view thereof;
 FIG. 4 is a back elevation view thereof;
 FIG. 5 is a left side view thereof;
 FIG. 6 is a top plan view thereof;
 FIG. 7 is a bottom plan view thereof; and,
 FIG. 8 is a perspective view thereof showing the new design in retracted configuration.
 The broken lines in the drawings illustrate environmental structure that forms no part of the claimed design.

1 Claim, 8 Drawing Sheets

(56) **References Cited**

U.S. PATENT DOCUMENTS

D208,607	S *	9/1967	Williams	D3/7
5,400,450	A *	3/1995	Leoutsakos	A47C 21/08
5,596,776	A *	1/1997	Huang	A47C 21/08
6,058,531	A *	5/2000	Carroll	A47C 21/08
6,138,301	A *	10/2000	Battiston	A61G 7/053
D433,856	S *	11/2000	Blum	A47C 21/08
D445,614	S *	7/2001	Sommerfeld	A47C 21/08
6,401,280	B1 *	6/2002	Baker	A47C 21/08



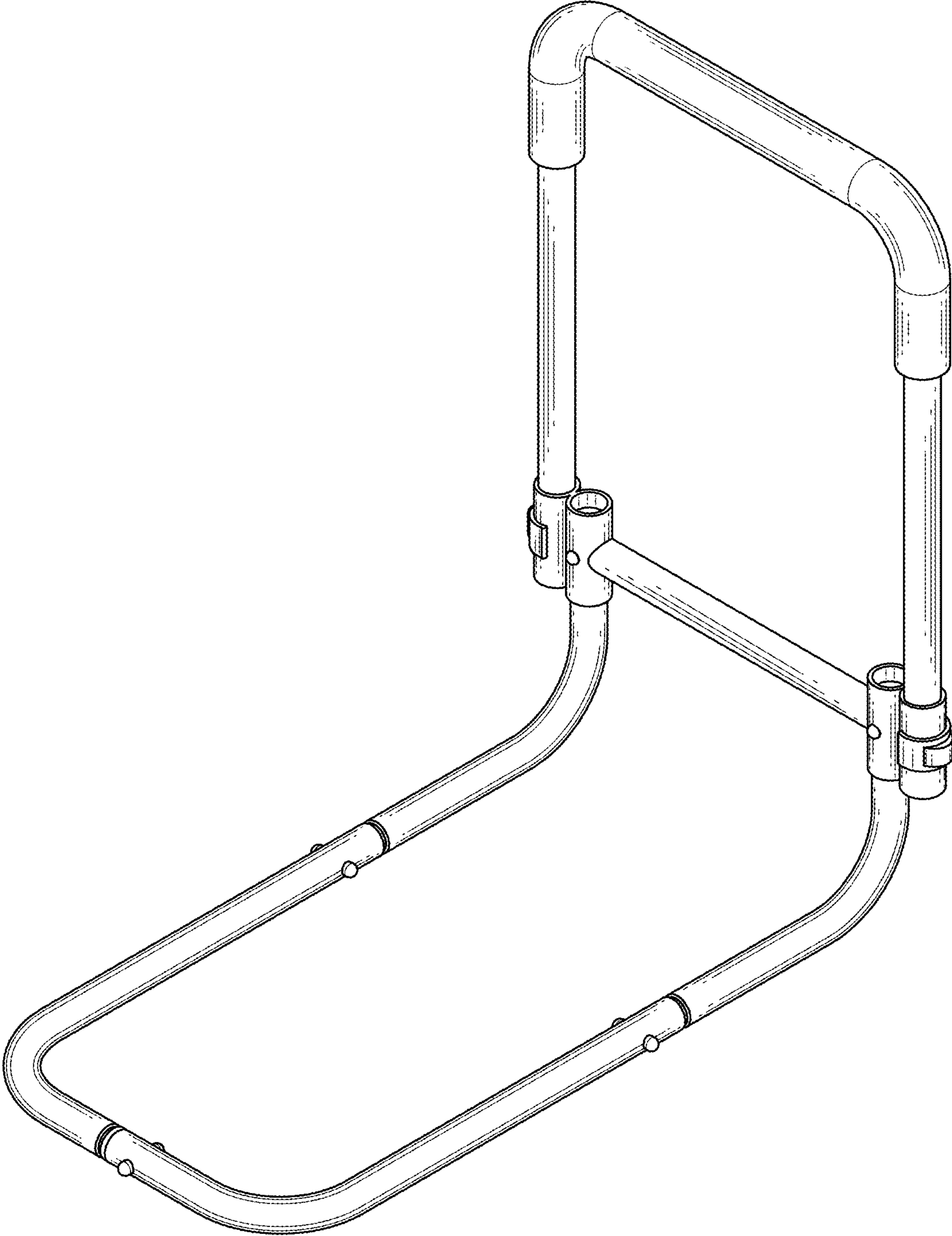


FIG. 1

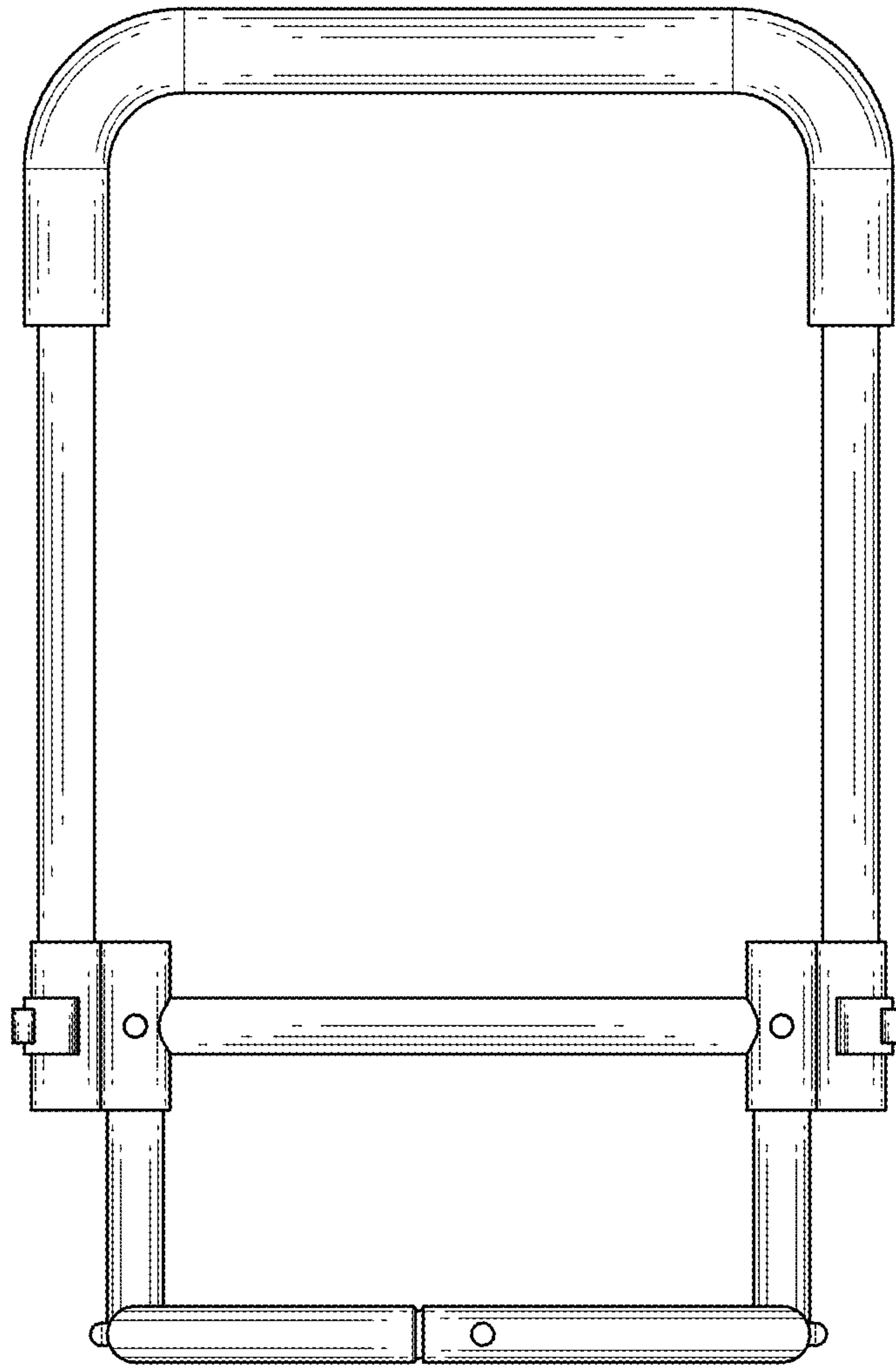


FIG. 2

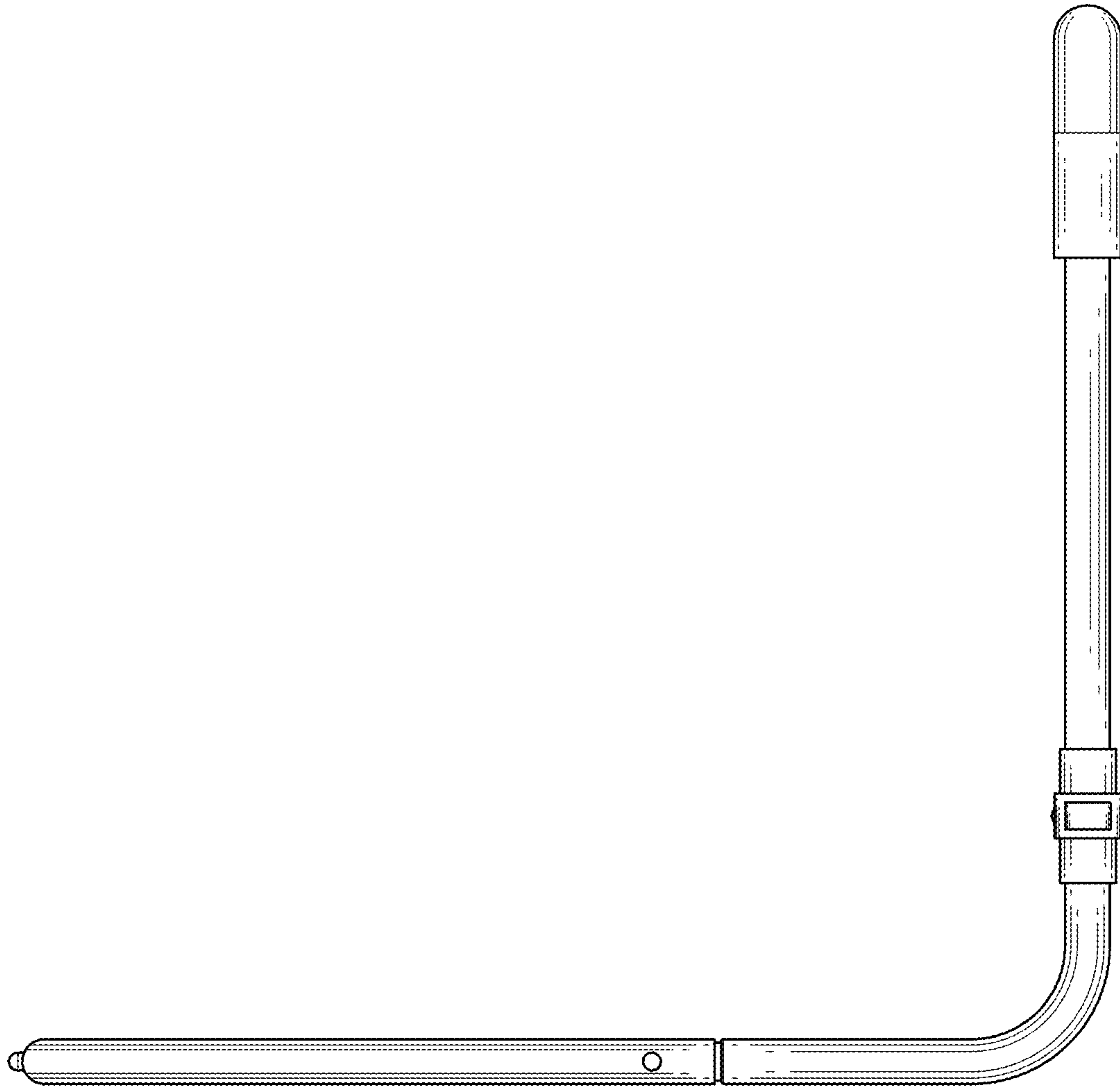


FIG. 3

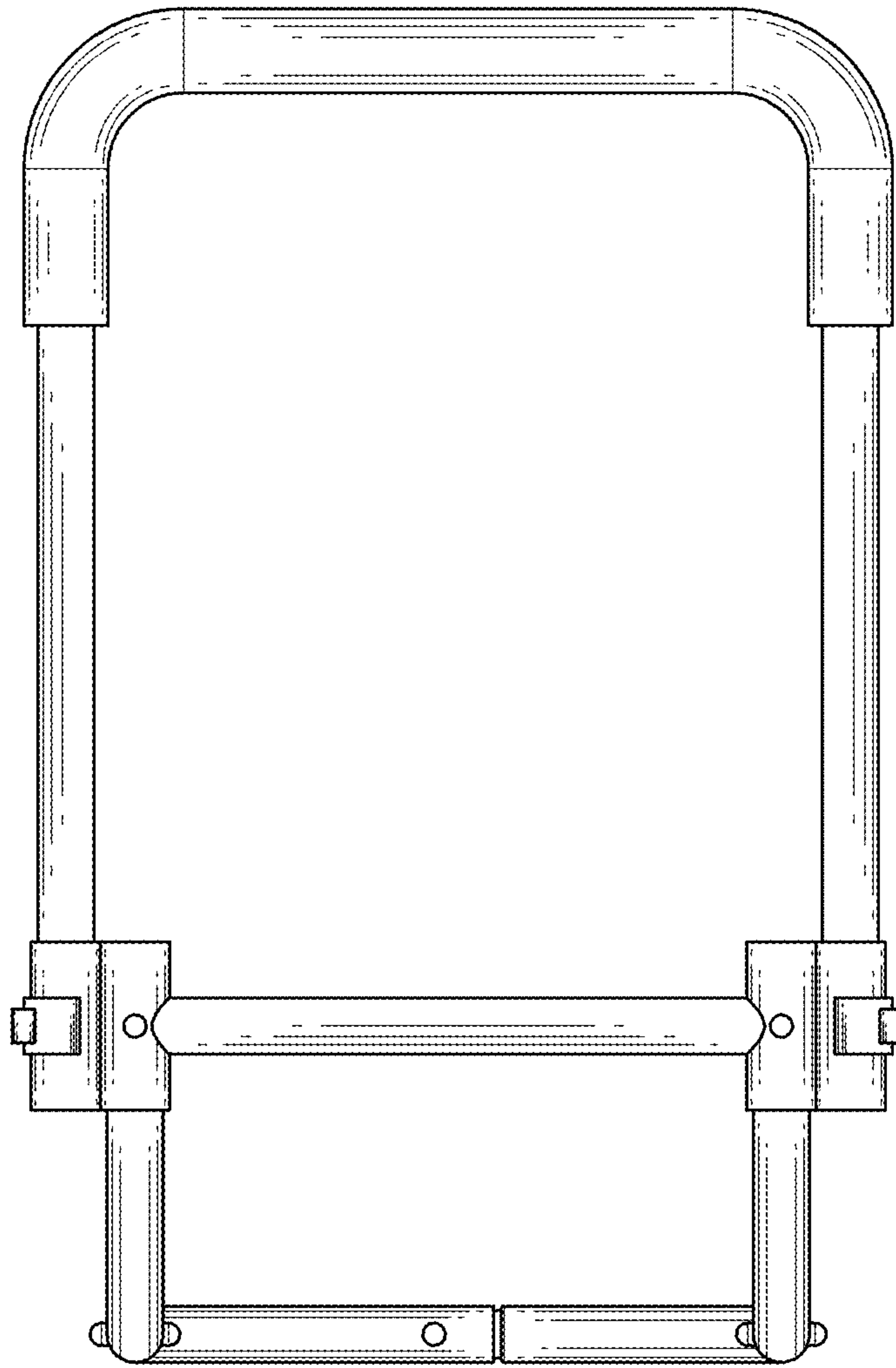


FIG. 4

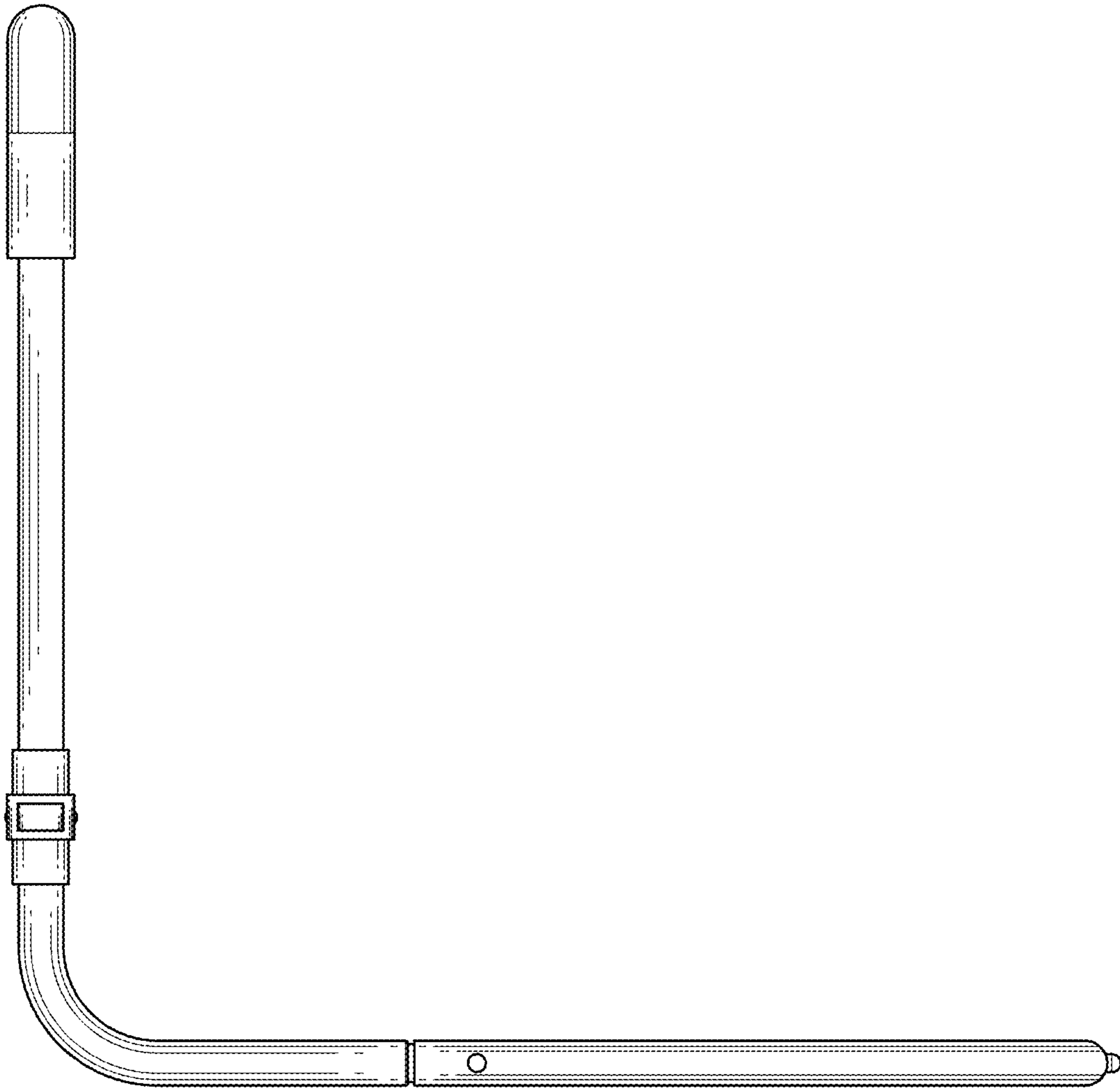


FIG. 5

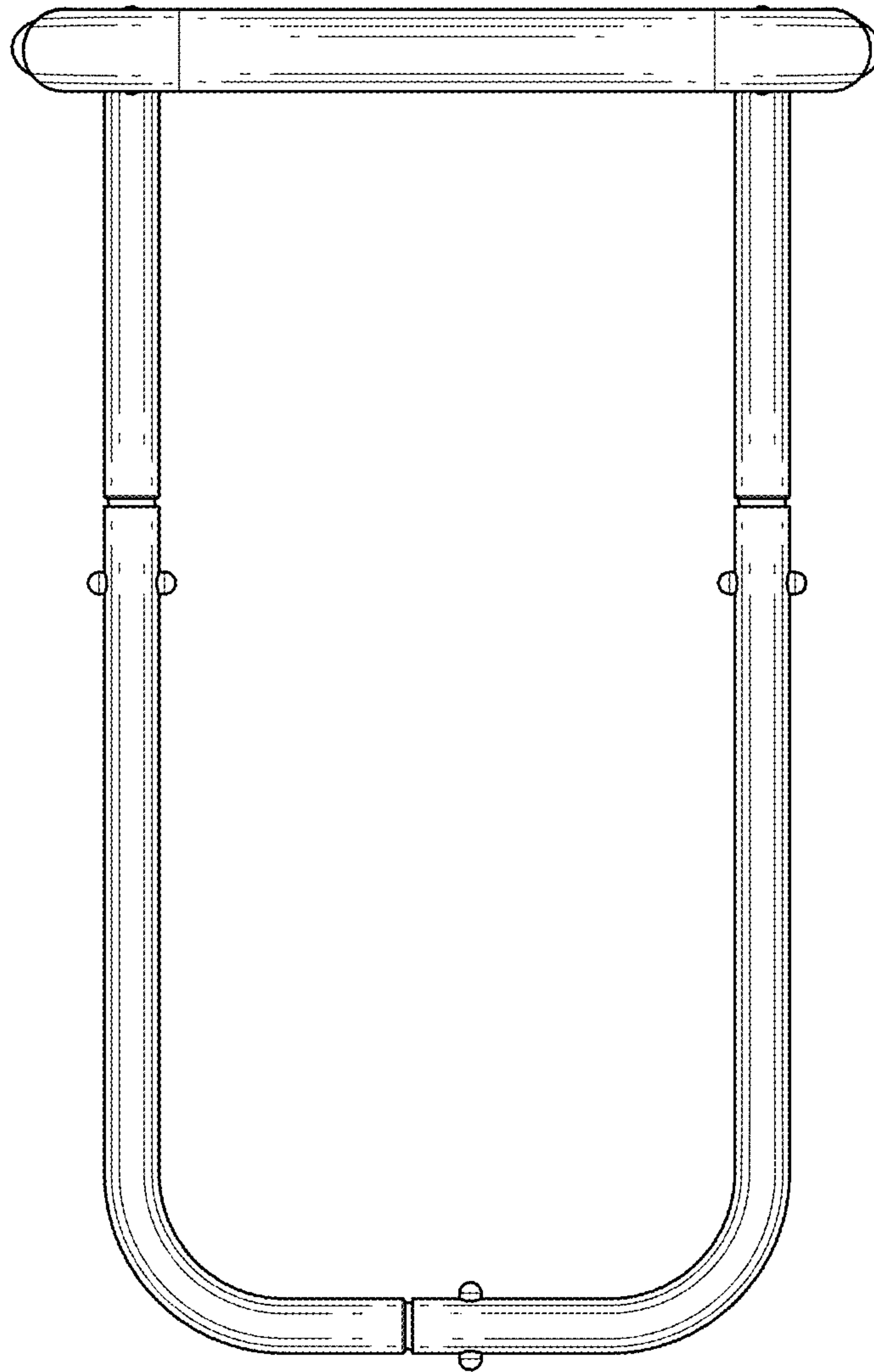


FIG. 6

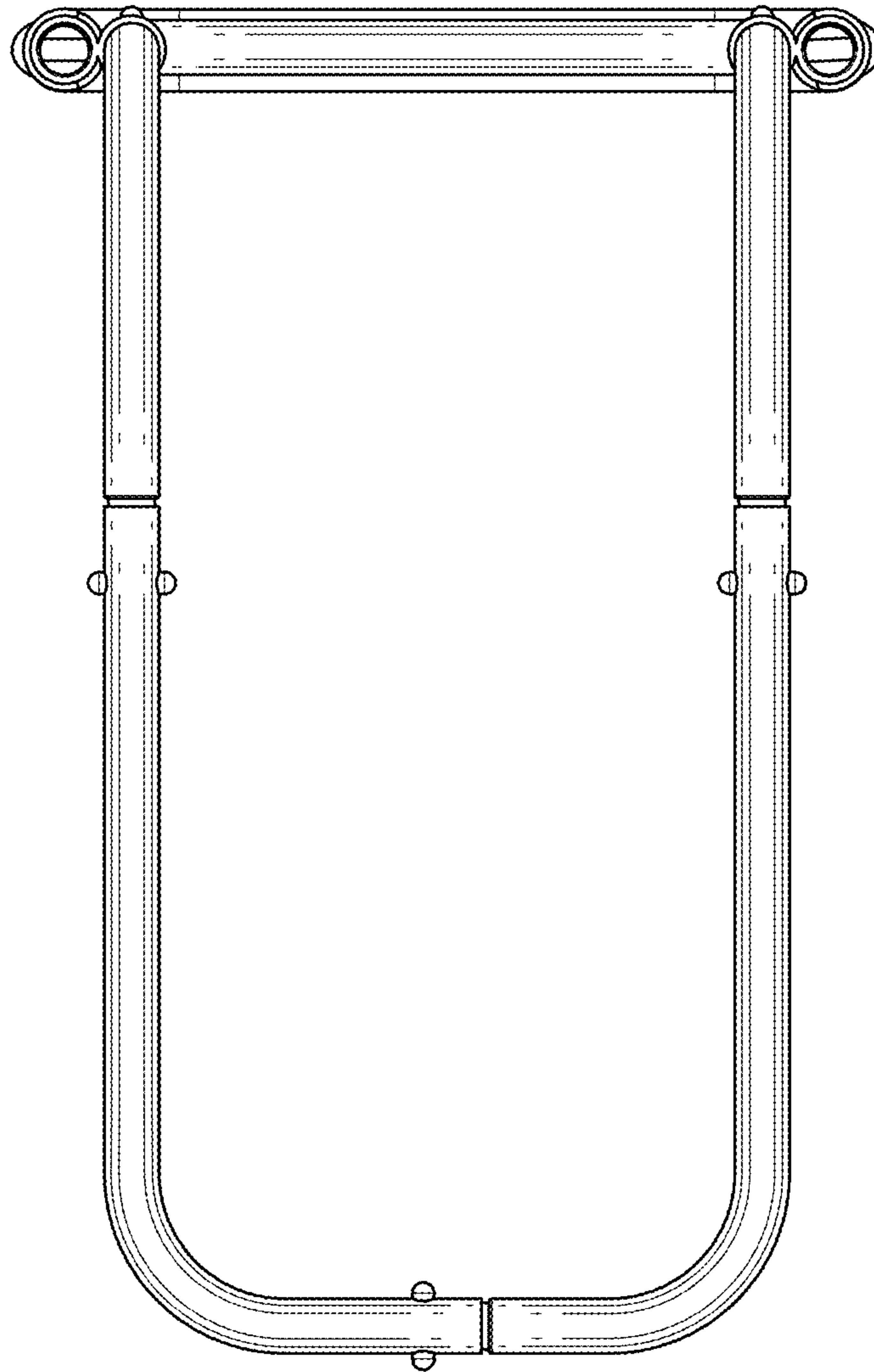


FIG. 7

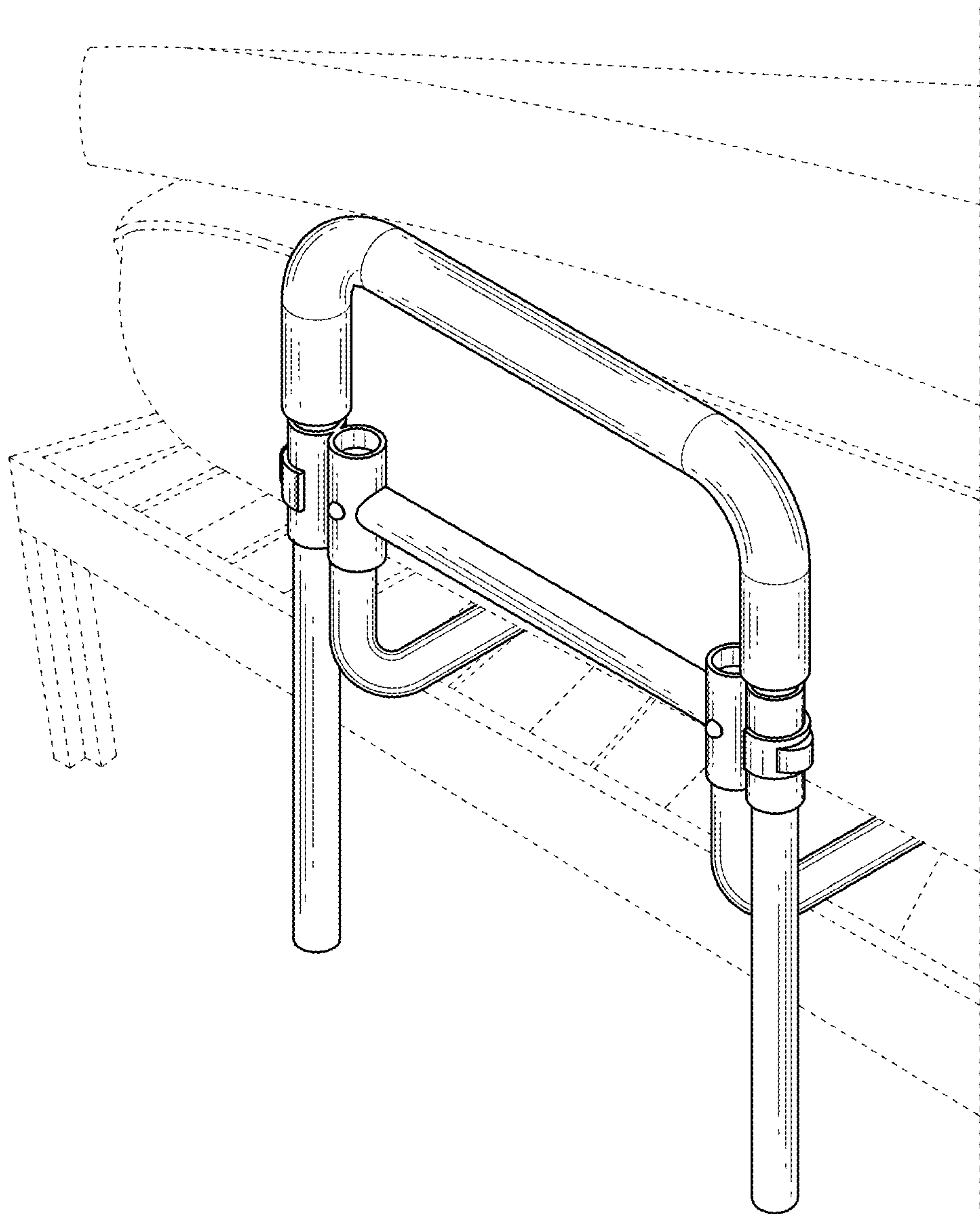


FIG. 8