



US00D915116S

(12) **United States Design Patent**  
**Kumazawa**

(10) **Patent No.:** **US D915,116 S**  
(45) **Date of Patent:** **\*\* Apr. 6, 2021**

(54) **CHAIR**

(71) Applicant: **AICHI CO., LTD.**, Nagoya (JP)

(72) Inventor: **Taku Kumazawa**, Nagoya (JP)

(73) Assignee: **AICHI CO., LTD.**, Nagoya (JP)

(\*\*) Term: **15 Years**

(21) Appl. No.: **29/700,395**

(22) Filed: **Aug. 1, 2019**

**Related U.S. Application Data**

(62) Division of application No. 35/505,452, filed on Feb. 9, 2018 (U.S. filing date under 35 U.S.C. 384), and having an international filing date of Feb. 9, 2018, now Pat. No. Des. 873,579.

(30) **Foreign Application Priority Data**

Aug. 10, 2017 (JP) ..... 2017-017335

(51) **LOC (13) Cl.** ..... **06-06**

(52) **U.S. Cl.**  
USPC ..... **D6/716.4**

(58) **Field of Classification Search**  
USPC ..... D6/334, 367-369, 376, 379, 380, 702,  
D6/716, 716.1, 716.2, 716.4  
CPC .... A47C 3/00; A47C 3/04; A47C 4/00; A47C  
5/00; A47C 7/00; A47C 7/02; A47C 7/16;  
A47C 7/36; A47C 7/40; A47C 9/00  
See application file for complete search history.

(56) **References Cited**

**U.S. PATENT DOCUMENTS**

D184,855 S 4/1959 Cramer et al.  
3,080,194 A 3/1963 Rowland  
3,111,344 A 11/1963 Hoven et al.  
D214,267 S 5/1969 Moore et al.  
D250,374 S 11/1978 Prizlow et al.

(Continued)

**FOREIGN PATENT DOCUMENTS**

AU 356697 7/2014  
AU 357131 8/2014

(Continued)

**OTHER PUBLICATIONS**

Notice of Allowance for U.S. Appl. No. 35/505,452, dated Sep. 16, 2019, 8 pages.

(Continued)

*Primary Examiner* — Mary Ann Calabrese

(74) *Attorney, Agent, or Firm* — Withrow & Terranova,  
P.L.L.C.; Vincent K. Gustafson

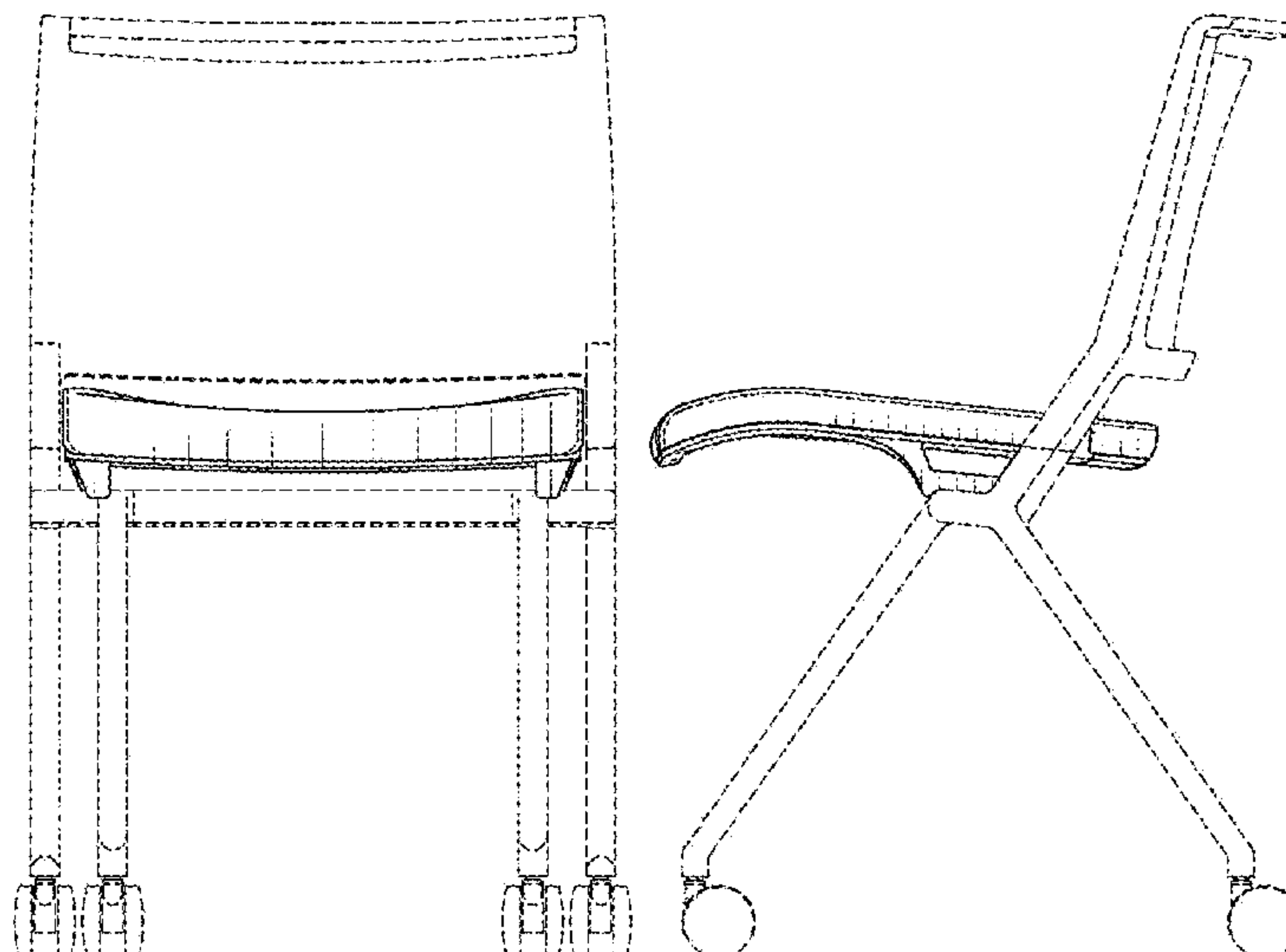
(57) **CLAIM**

The ornamental design for a chair, as shown and described.

**DESCRIPTION**

FIG. 1 is a front elevational view of a chair showing my design;  
FIG. 2 is a rear elevational view of the chair;  
FIG. 3 is a right side elevational view of the chair;  
FIG. 4 is a top plan view of the chair;  
FIG. 5 is a bottom plan view of the chair;  
FIG. 6 is a cross-sectional view of the chair; taken along line 6-6 in FIG. 4; and,  
FIG. 7 is a right side elevational view of the chair with the seat of the chair in a raised position.  
The left side elevational view of the chair is omitted because it is a mirror image of the right side elevational view.  
Throughout the Figures, portions represented by broken lines are not parts of the claimed design; the dot-and-dash lines show the boundaries of the claim and form no part thereof.

**1 Claim, 6 Drawing Sheets**



(56)

**References Cited**

U.S. PATENT DOCUMENTS

D292,149 S	10/1987	Monesi	
D298,492 S	11/1988	Ochsner	
D299,192 S	1/1989	Chadwick et al.	
D309,222 S	7/1990	Lubke	
D440,784 S *	4/2001	Ambasz .....	D6/368
D597,757 S *	8/2009	Barbieri .....	D6/374
D609,488 S *	2/2010	Kumazawa .....	D6/373
D617,568 S *	6/2010	Kumazawa .....	D6/373
D648,150 S *	11/2011	Kumazawa .....	D6/373
D655,933 S	3/2012	Kumazawa	
D669,278 S	10/2012	Kumazawa	
D675,843 S *	2/2013	Kumazawa .....	D6/373
D710,638 S	8/2014	Bellini	
D756,140 S	5/2016	Kumazawa	
D770,823 S	11/2016	Kumazawa	
D805,338 S	12/2017	Nakamura et al.	
D853,143 S *	7/2019	Kumazawa .....	D6/373
D873,579 S *	1/2020	Kumazawa .....	A47C 5/06 D6/380

2010/0176646 A1*	7/2010	Rowland .....	A47C 5/06 297/452.56
2015/0282622 A1*	10/2015	Kumazawa .....	A47C 3/045 297/335
2019/0274431 A1	9/2019	Kumazawa	

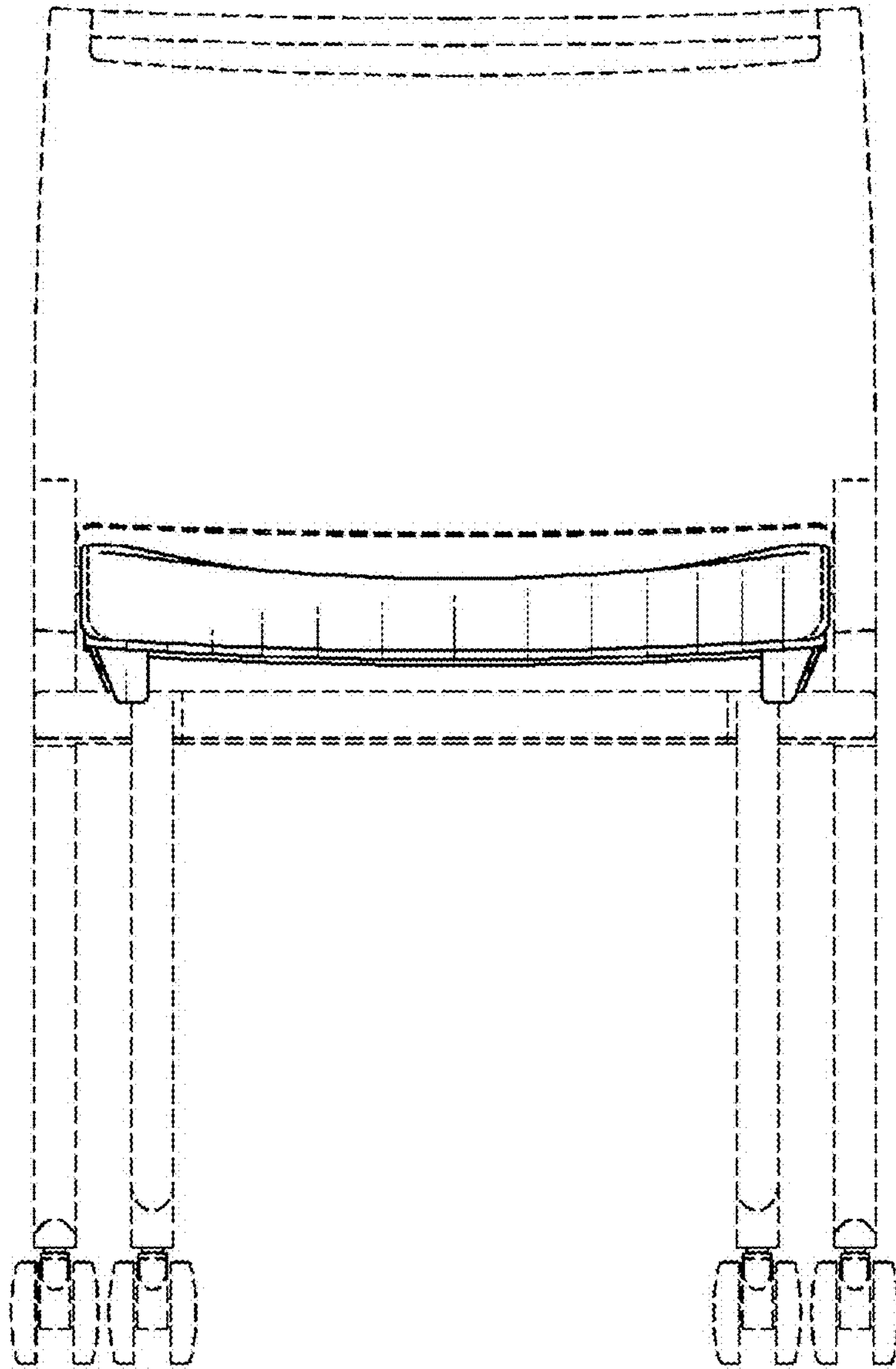
FOREIGN PATENT DOCUMENTS

CN	302978486 S	10/2014
EM	002478891-0002	6/2014
EM	002478891-0003	6/2014
JP	1513193 S	11/2017
JP	1513196 S	11/2017
JP	1513458 S	11/2017

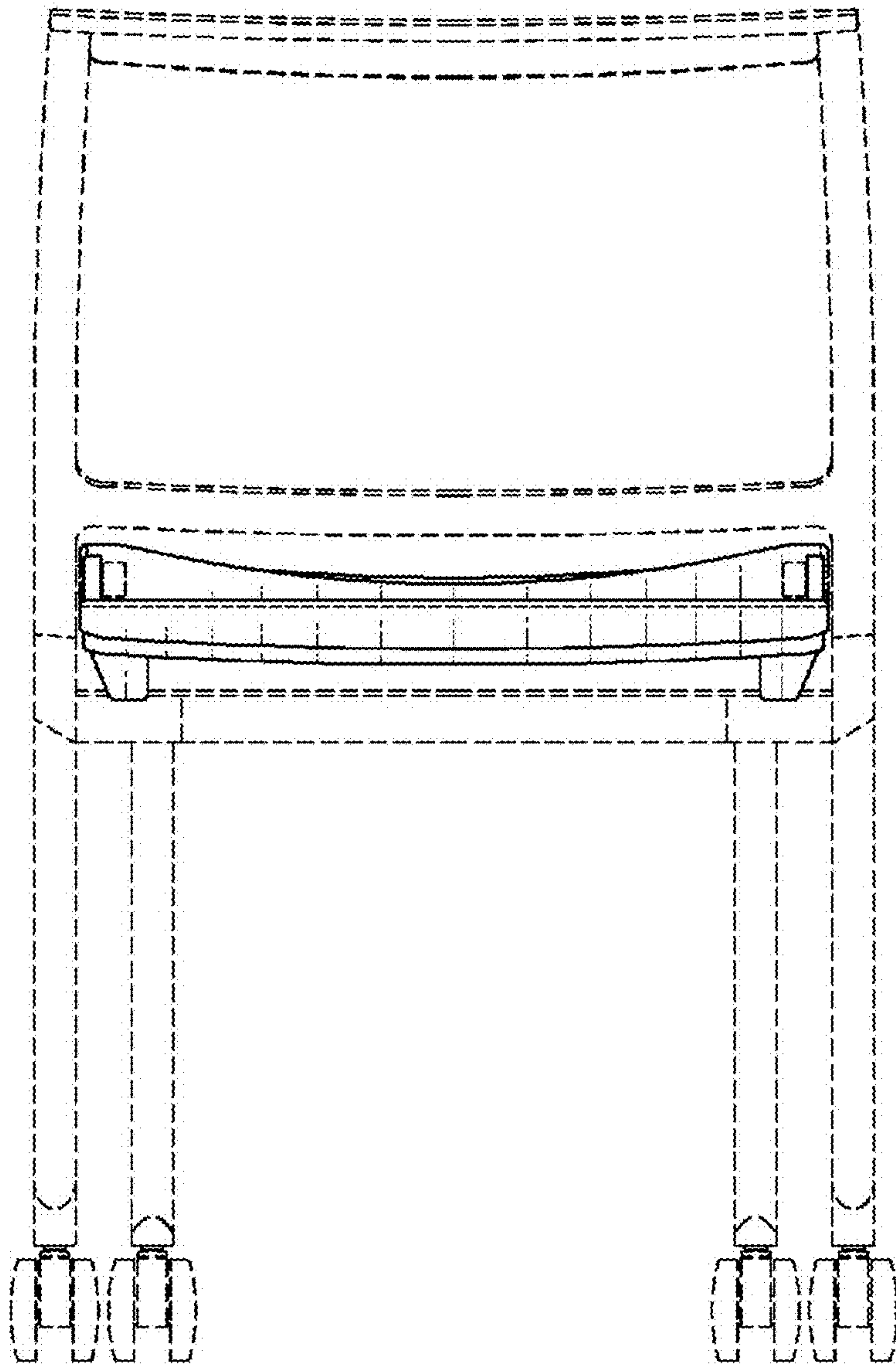
OTHER PUBLICATIONS

Restriction Requirement for U.S. Appl. No. 35/505,452, dated May 31, 2019, 7 pages.  
 Quayle Action for U.S. Appl. No. 29/700,393, dated Sep. 25, 2020, 6 pages.

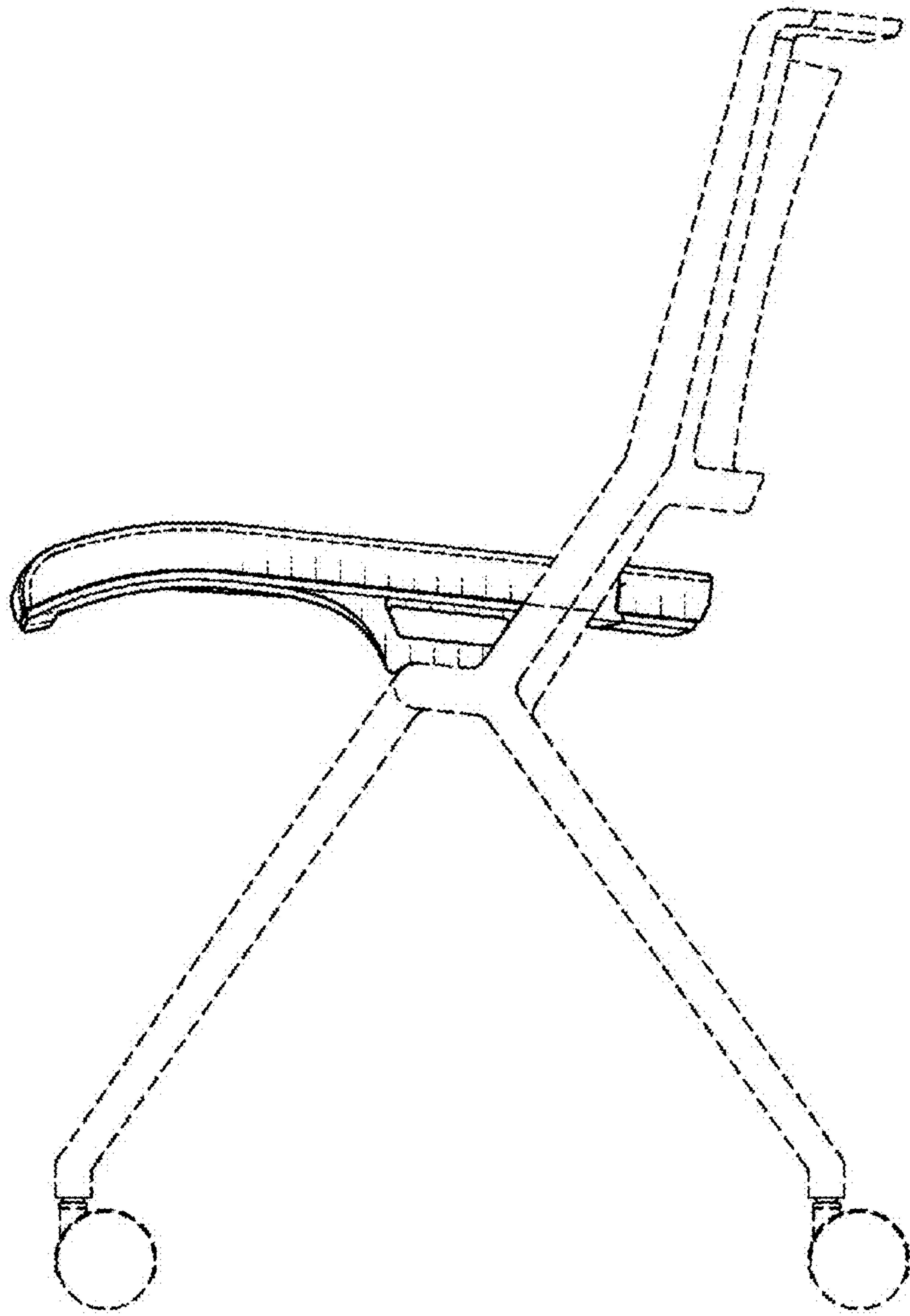
\* cited by examiner



**FIG. 1**

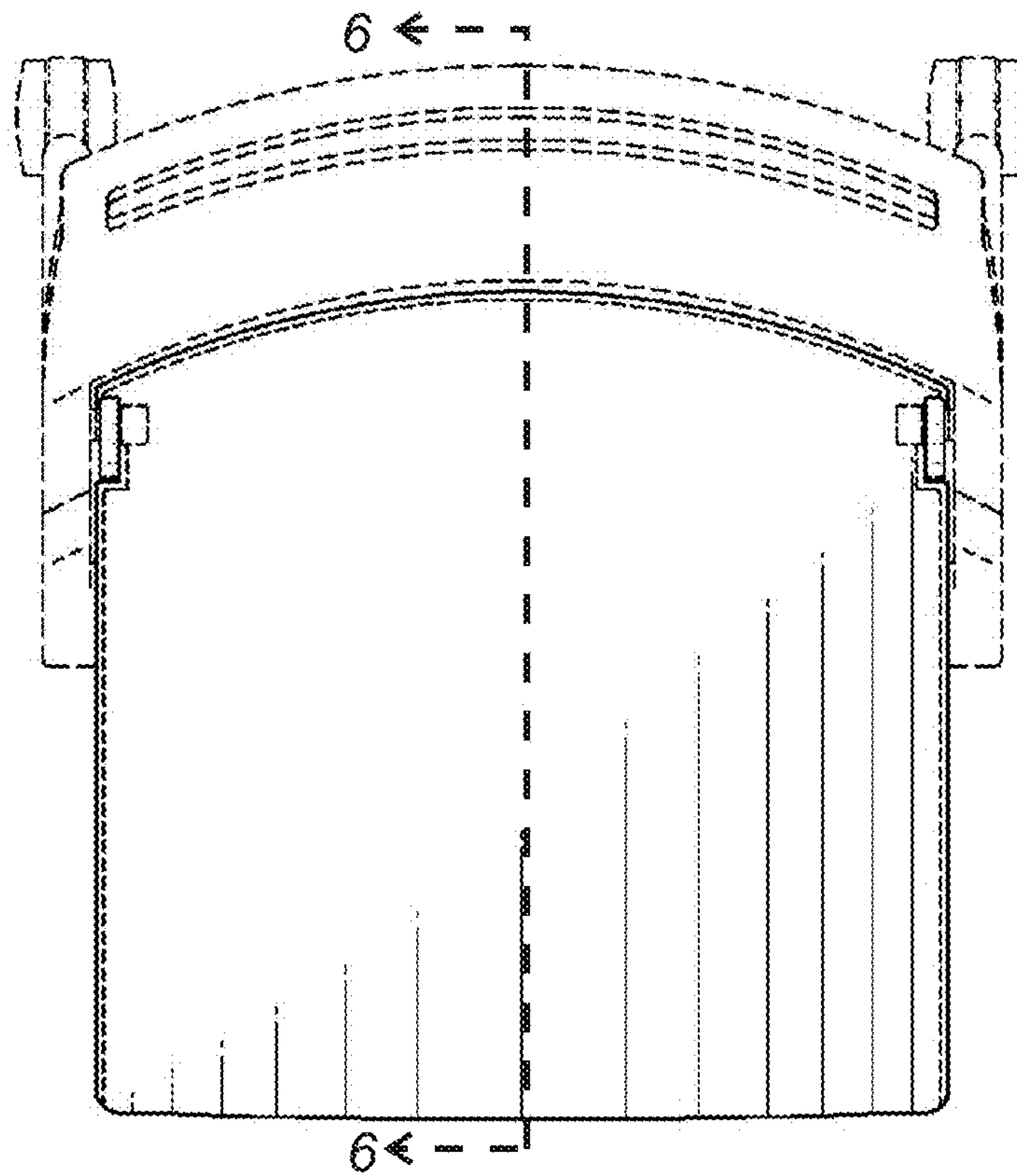


**FIG. 2**

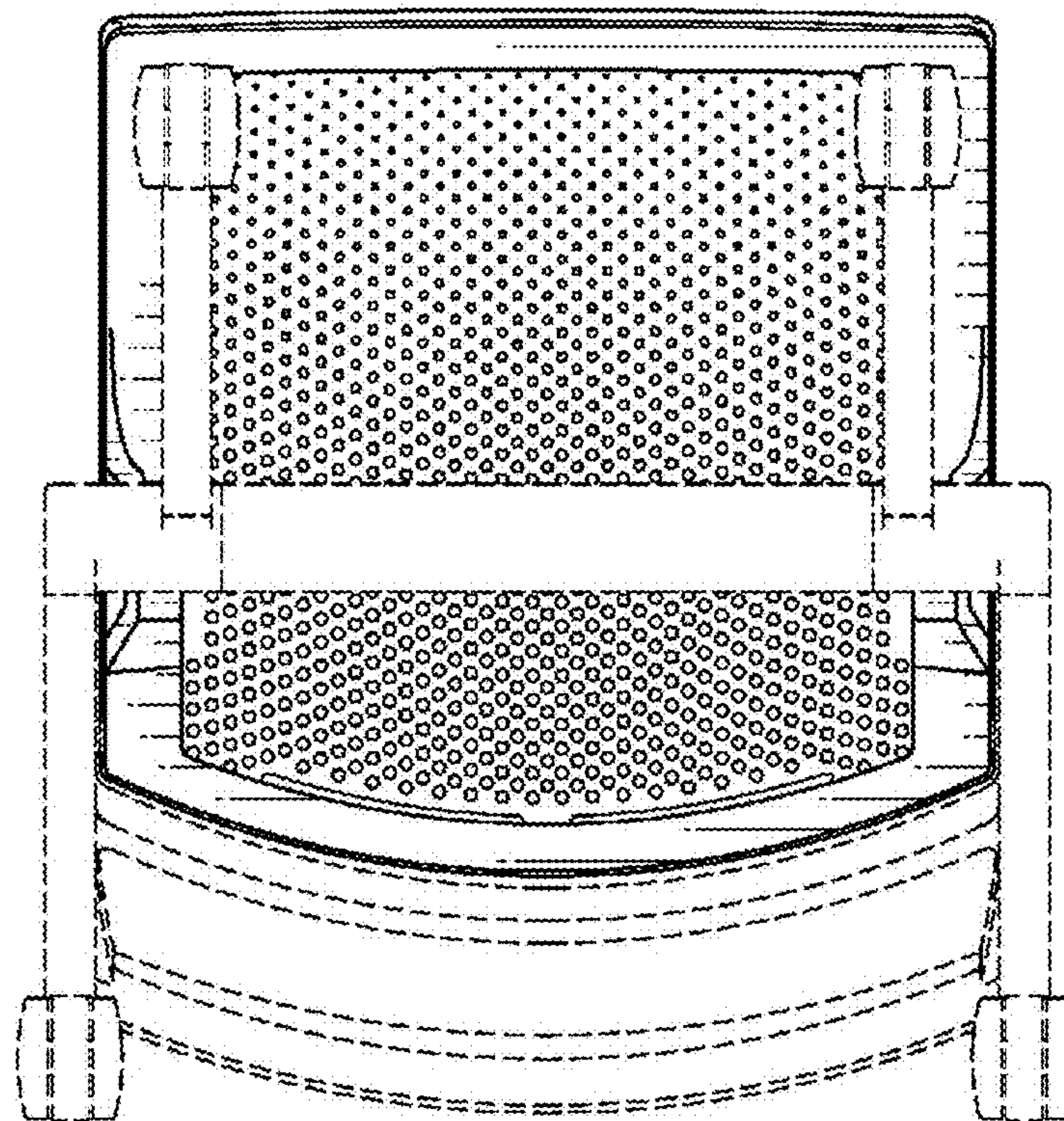


**FIG. 3**

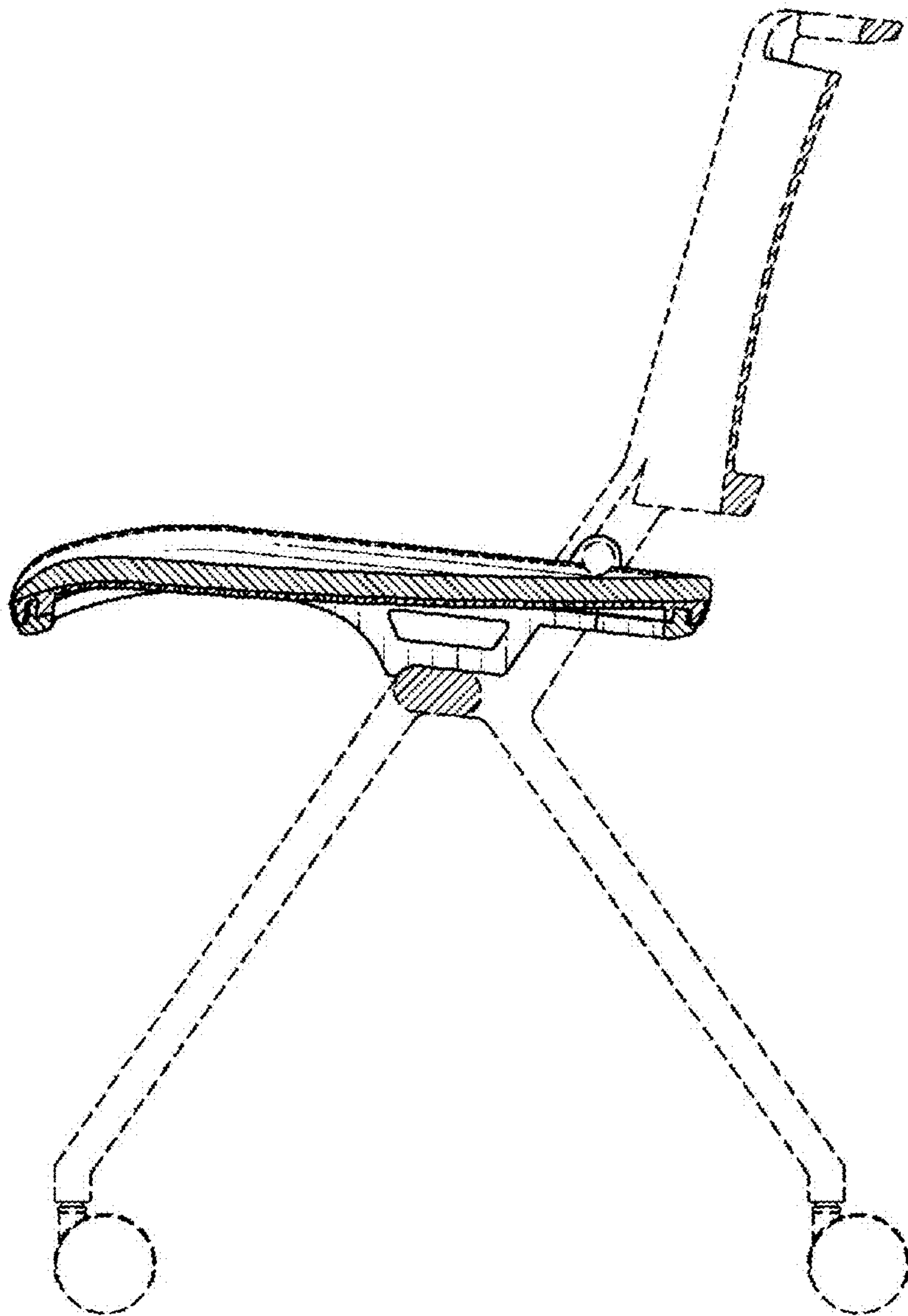




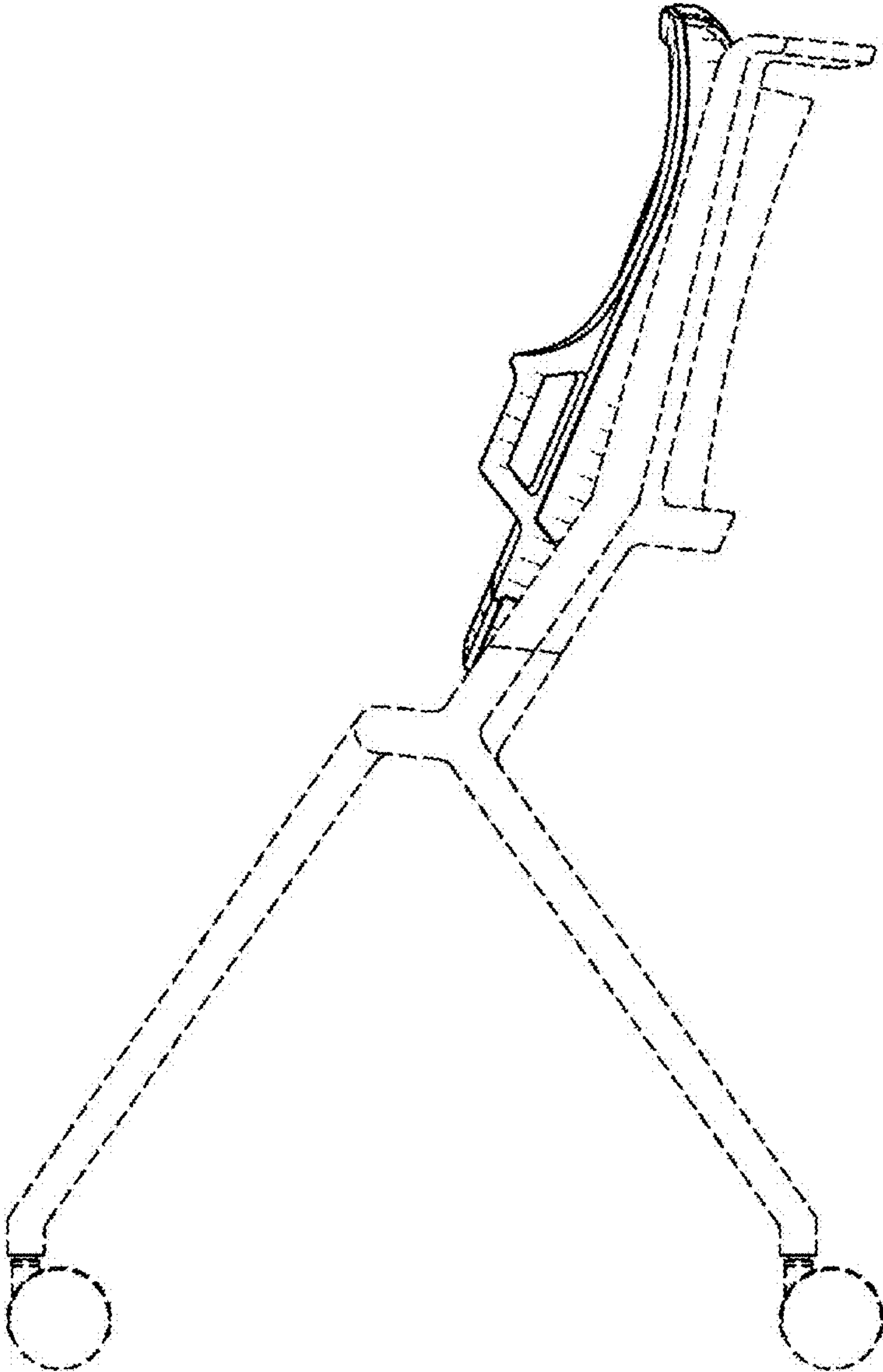
**FIG. 4**



**FIG. 5**



**FIG. 6**



**FIG. 7**