



US00D915115S

(12) **United States Design Patent** (10) **Patent No.:** **US D915,115 S**
Nelson (45) **Date of Patent:** **** Apr. 6, 2021**

- (54) **LETTER D CHAIR**
- (71) Applicant: **SENDER'S CONSTRUCTION, LLC**,
Polk City, IA (US)
- (72) Inventor: **Keith Nelson**, Grimes, IA (US)
- (73) Assignee: **Sender's Construction, LLC**, Polk
City, IA (US)
- (**) Term: **15 Years**
- (21) Appl. No.: **29/652,555**
- (22) Filed: **Sep. 17, 2020**

Related U.S. Application Data

- (63) Continuation of application No. 29/652,144, filed on May 21, 2020, now Pat. No. Des. 899,835, and a continuation of application No. 29/723,752, filed on Feb. 10, 2020, now Pat. No. Des. 889,178, and a continuation of application No. 29/710,388, filed on Oct. 23, 2019, now Pat. No. Des. 878,129, and a continuation of application No. 29/693,047, filed on May 30, 2019, now Pat. No. Des. 868,519, and a continuation of application No. 29/677,264, filed on Jan. 18, 2019, now Pat. No. Des. 854,868, and a continuation of application No. 29/657,202, filed on Jul. 19, 2018, now Pat. No. Des. 846,931, and a continuation of application No. 29/622,770, filed on Oct. 19, 2017, now Pat. No. Des. 826,612, and a continuation of application No. 29/599,429, filed on Apr. 3, 2017, now Pat. No. Des. 807,092, and a continuation of application No. 29/572,875, filed on Aug. 1, 2016, now Pat. No. Des. 786,596, and a continuation of application No. 29/550,416, filed on Jan. 4, 2016, now Pat. No. Des. 765,452, and a continuation of application No. 29/531,933, filed on Jun. 30, 2015, now abandoned, and a continuation of application No. 29/475,661, filed on Dec. 5, 2013,
(Continued)

- (51) **LOC (13) Cl.** **06-06**
- (52) **U.S. Cl.**
USPC **D6/716**

- (58) **Field of Classification Search**
USPC D6/334, 341, 371-375, 381, 491-492,
D6/500-502, 702, 716-716.1
CPC A47C 4/02; A47C 4/03; A47C 7/16; A47C
7/36; A47C 3/14
See application file for complete search history.

(56) **References Cited**

U.S. PATENT DOCUMENTS

- D181,241 S 10/1957 Jons
- 3,485,527 A 12/1969 Barghout
- (Continued)

OTHER PUBLICATIONS

Chauhan, Shikha, Hometone "Amazing Alphabet Furniture for Kindergarten of Comfort", Sep. 23, 2009, <http://www.hometone.com/entry/amazing-alphabet-furniture-for-kindergarten-of-comfort>, 8 pages, retrieved from the Internet Aug. 17, 2012.

(Continued)

Primary Examiner — Kelley A Donnelly
(74) *Attorney, Agent, or Firm* — McKee, Voorhees & Sease, PLC

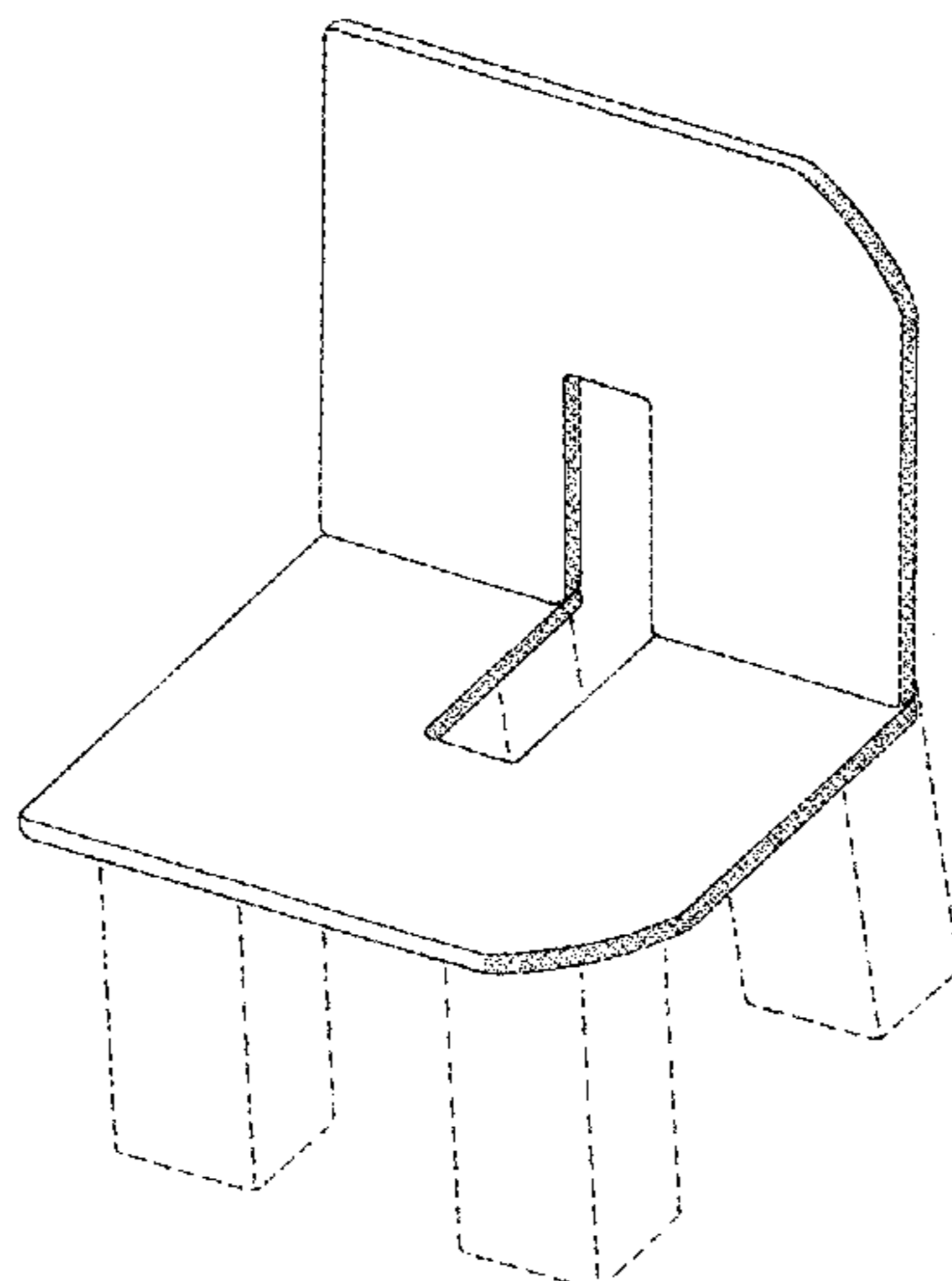
(57) **CLAIM**

The ornamental design for the letter D chair, as shown and described.

DESCRIPTION

FIG. 1 is a perspective view of the letter "D" chair.
FIG. 2 is a front view of the letter "D" chair.
FIG. 3 is a rear view of the letter "D" chair.
FIG. 4 is a top view of the letter "D" chair.
FIG. 5 is a side view of the letter "D" chair; and,
FIG. 6 is a side view of the letter "D" chair.
The broken lines depict environmental subject matter only and form no part of the claimed design.

1 Claim, 6 Drawing Sheets



Related U.S. Application Data

now Pat. No. Des. 735,511, and a continuation of application No. 29/393,407, filed on Jun. 3, 2011, now Pat. No. Des. 699,993.

(56)

References Cited

U.S. PATENT DOCUMENTS

D239,345 S 3/1976 Keller
 D341,954 S 12/1993 Thompson
 D352,182 S * 11/1994 Yoshimura D6/335
 D376,465 S 12/1996 Haro et al.
 6,135,548 A 10/2000 McGuire
 D489,193 S 5/2004 Muller
 D498,069 S 11/2004 Kreiss
 D502,015 S 2/2005 Hollett et al.
 D526,545 S 8/2006 Sanderson
 D537,263 S 2/2007 Berry et al.
 D549,970 S 9/2007 Bouroullec et al.
 D555,381 S 11/2007 Swanson
 D568,626 S 5/2008 Gharabegian
 D572,928 S 7/2008 Rittfeldt et al.
 D595,515 S 7/2009 Collette
 D601,357 S 10/2009 Siegel
 D609,489 S 2/2010 Adams et al.
 D638,063 S 5/2011 O'Con
 D646,096 S 10/2011 Langbord et al.
 D653,886 S 2/2012 Lucci
 D656,337 S 3/2012 Townsend
 D668,469 S 10/2012 Siegel
 D672,579 S 12/2012 Vass
 D676,690 S 2/2013 Pheasant
 D697,352 S 1/2014 Skalka
 D699,993 S 2/2014 Nelson
 D708,451 S 7/2014 Gashcy et al.
 D717,059 S 11/2014 Kim et al.
 D720,862 S 1/2015 Douglas, Jr. et al.
 D731,802 S 6/2015 McKenna et al.
 D735,511 S 8/2015 Nelson
 D738,657 S 9/2015 Robins et al.
 D742,534 S 11/2015 Bains
 D743,712 S 11/2015 Behar et al.
 D747,893 S 1/2016 Nikolajsen
 D749,868 S 2/2016 Nikolajsen
 D752,893 S 4/2016 Behar et al.
 D761,606 S 7/2016 Piretti
 D765,452 S 9/2016 Nelson
 D769,632 S 10/2016 Bullejos

D786,596 S 5/2017 Nelson
 9,814,320 B2 * 11/2017 Pratt A47C 1/028
 D807,092 S 1/2018 Nelson
 D811,792 S 3/2018 Guck et al.
 D812,390 S 3/2018 Liu
 D813,526 S 3/2018 Lee et al.
 D815,445 S 4/2018 Longo
 D819,351 S 6/2018 Peterson
 D821,793 S 7/2018 Ludwig et al.
 D826,612 S 8/2018 Nelson
 D834,867 S 12/2018 Kolberg
 D840,705 S 2/2019 Grabowski et al.
 D840,706 S 2/2019 Grabowski et al.
 D841,354 S 2/2019 Rassat
 D845,691 S 4/2019 Weller
 D846,931 S 4/2019 Nelson
 D854,868 S 7/2019 Nelson
 D864,639 S 10/2019 Snell et al.
 D866,215 S 11/2019 Lenhart et al.
 D867,006 S * 11/2019 Kohavi D6/379
 D868,519 S * 12/2019 Nelson D6/716
 D878,129 S 3/2020 Nelson
 D885,815 S 6/2020 Sardo
 D888,178 S 6/2020 Nelson
 D899,835 S * 10/2020 Nelson D6/716
 2011/0181085 A1 7/2011 Pfeifer et al.

OTHER PUBLICATIONS

Ohri, Priyanka, Hometome "Amazing with alphabet letters for unusual home decor", Nov. 19, 2009, <http://www.hometone.com/entry/playing-with-alphabet-letters-for-unusual-home-decor>, 13 pages, retrieved from the Internet Aug. 17, 2012.
 Roeland Otten "ABChairs (2010)", <http://www.roelandotten.com>, 3 pages, retrieved from the Internet Aug. 17, 2012.
 Paul, Rebecca, Inhabitat, "Hair Chair: A Furry Alphabet Letter Chair Made from Corrugated Cardboard" May 9, 2011, <http://inhabitat.com/hair-chair-a-furry-alphabet-letter-chair-made-from-corrugated-cardboard>, 4 pages, retrieved from the Internet Aug. 17, 2012.
 Designboom, "sascha grewe: a-z stools", <http://www.designboom.com/weblog/cat/8/view/10739/sascha-grewe-a-z-stools.html>, 7 pages, retrieved from the Internet Aug. 17, 2012.
 Tambino, Tambino furnishing and accessories for kids, <http://www.tambino.com>, 3 pages, retrieved from the Internet Aug. 17, 2012.
 Tabisso Design Furniture, <http://www.tabisso.com/home.html>, 1 page, retrieved from the Internet Aug. 17, 2012.

* cited by examiner

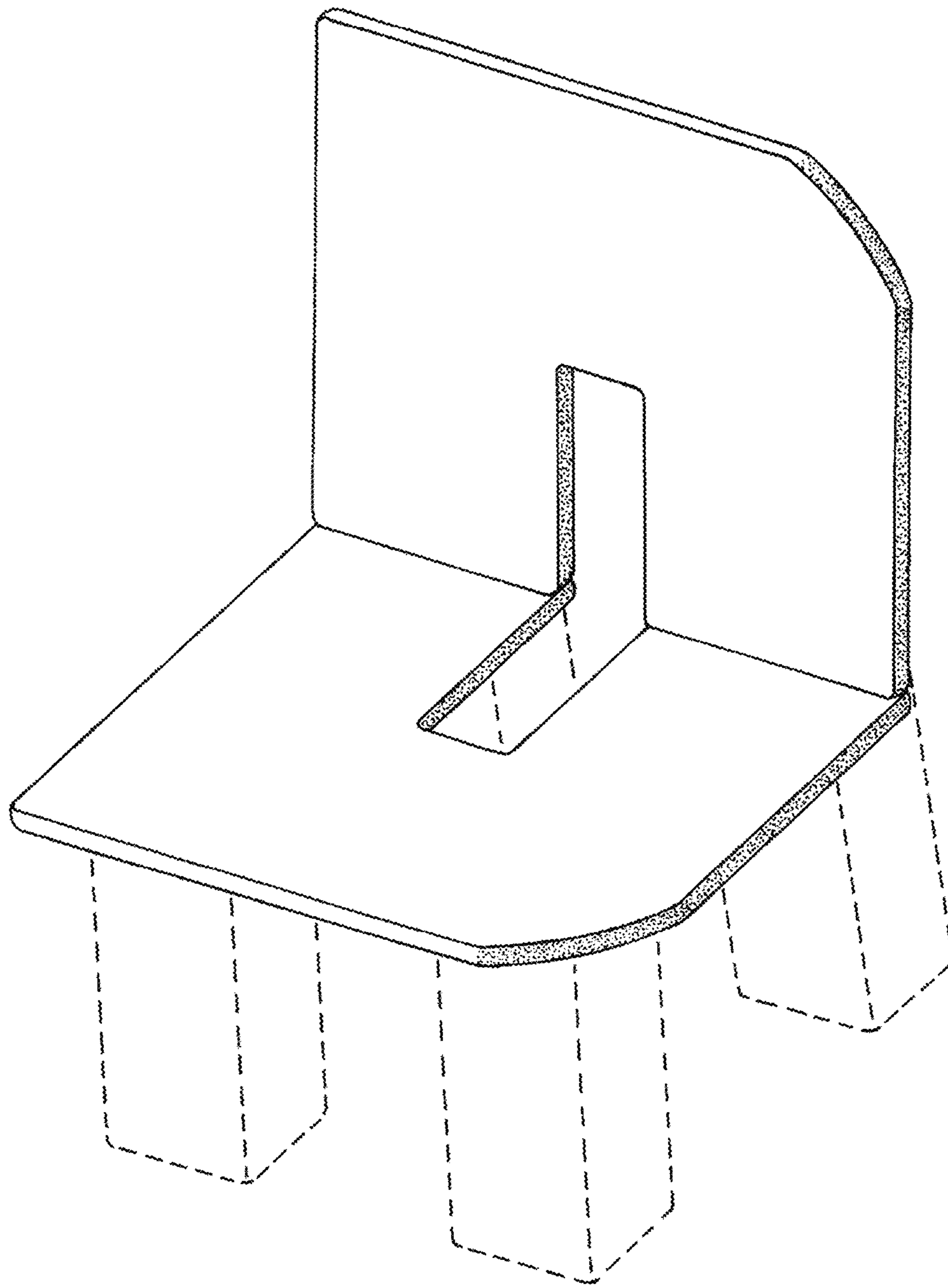


FIG. 1

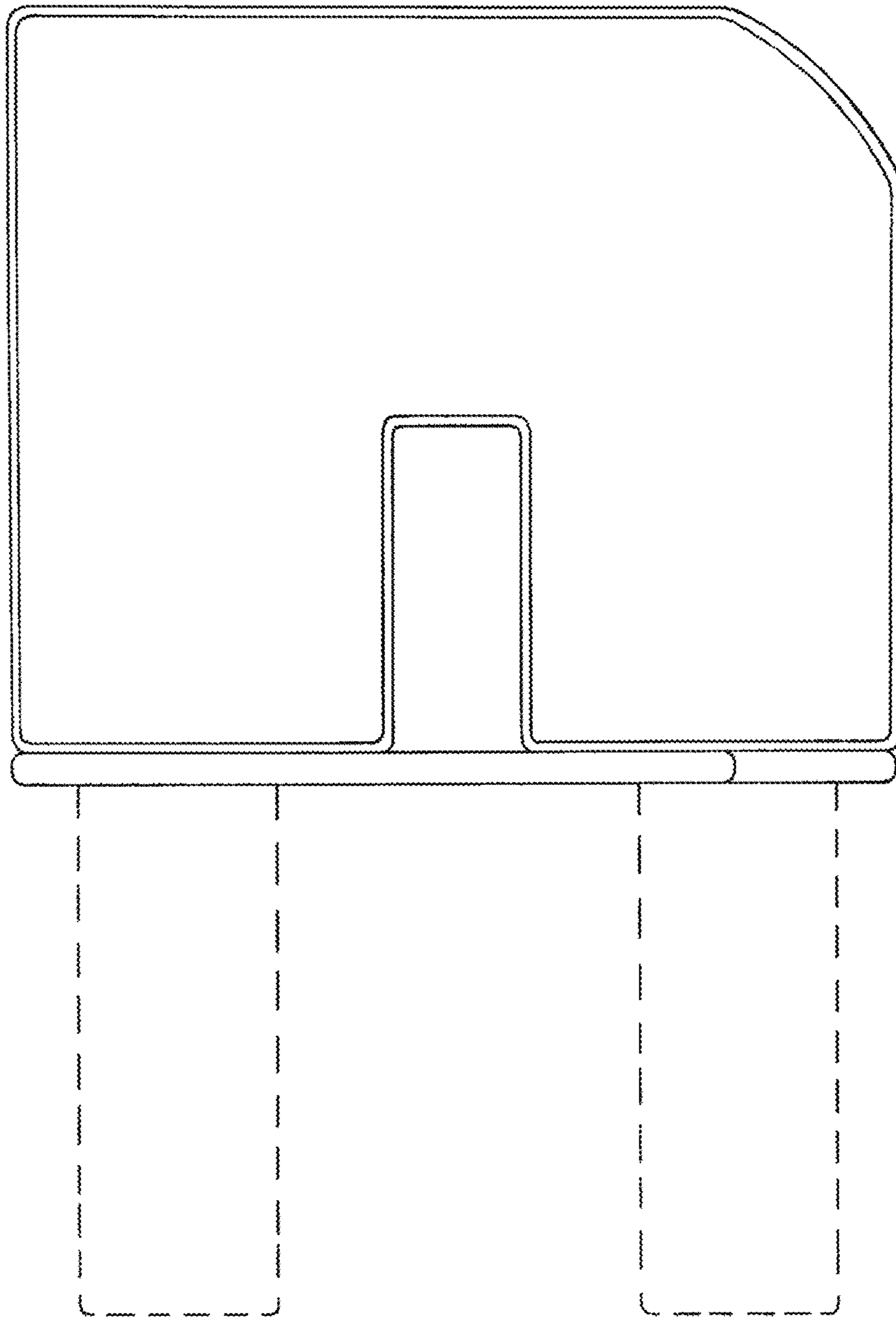


FIG. 2

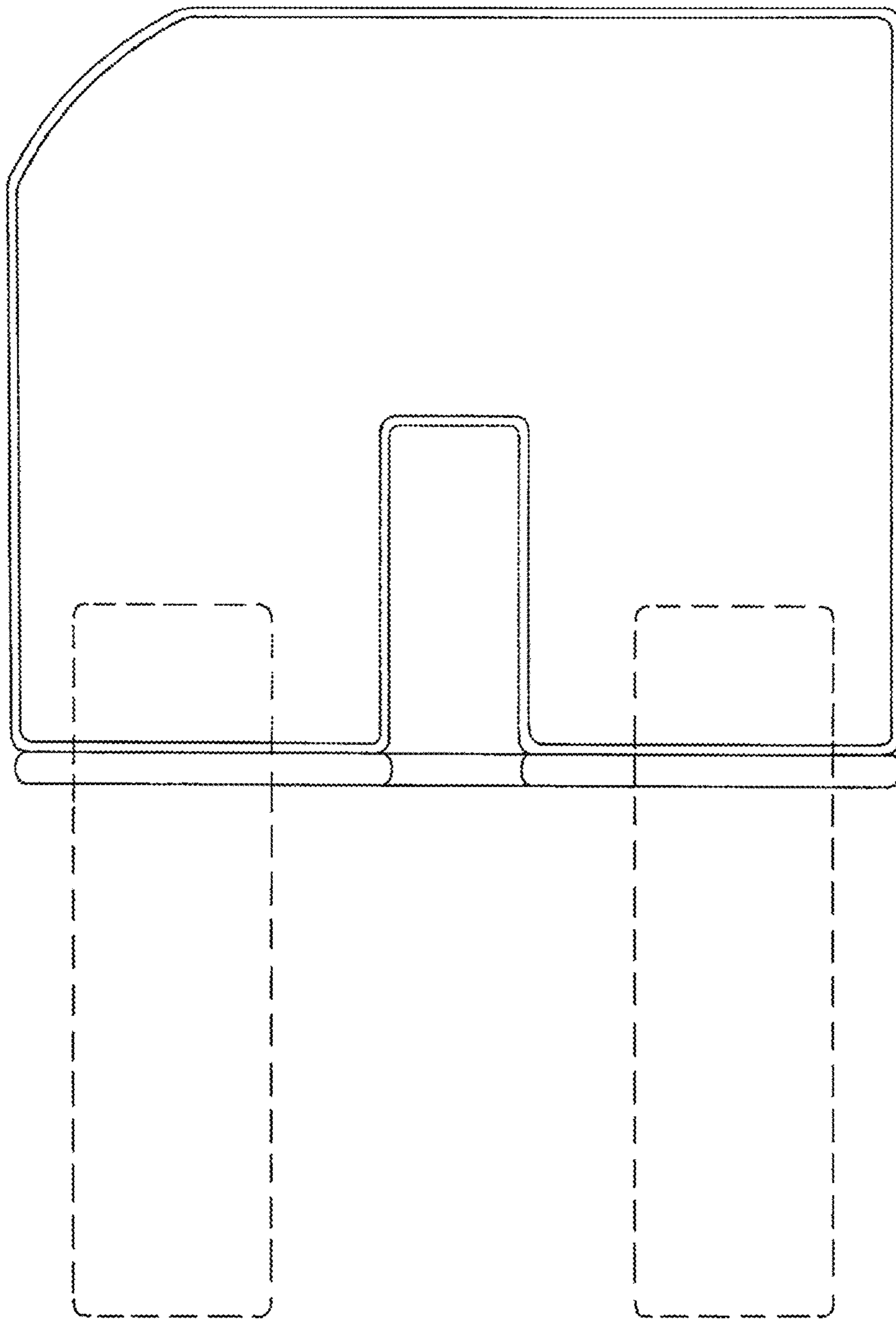


FIG. 3

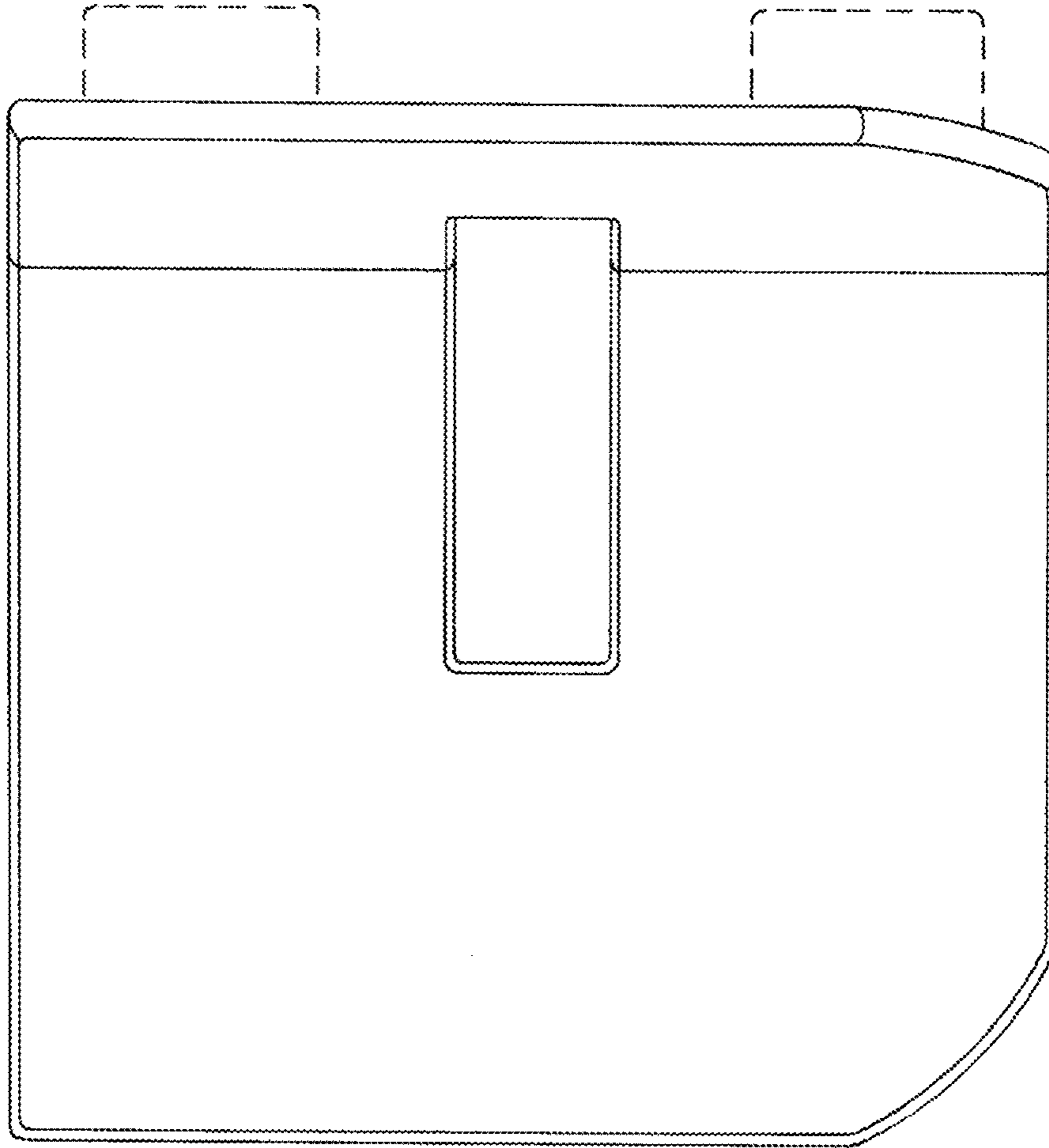


FIG. 4

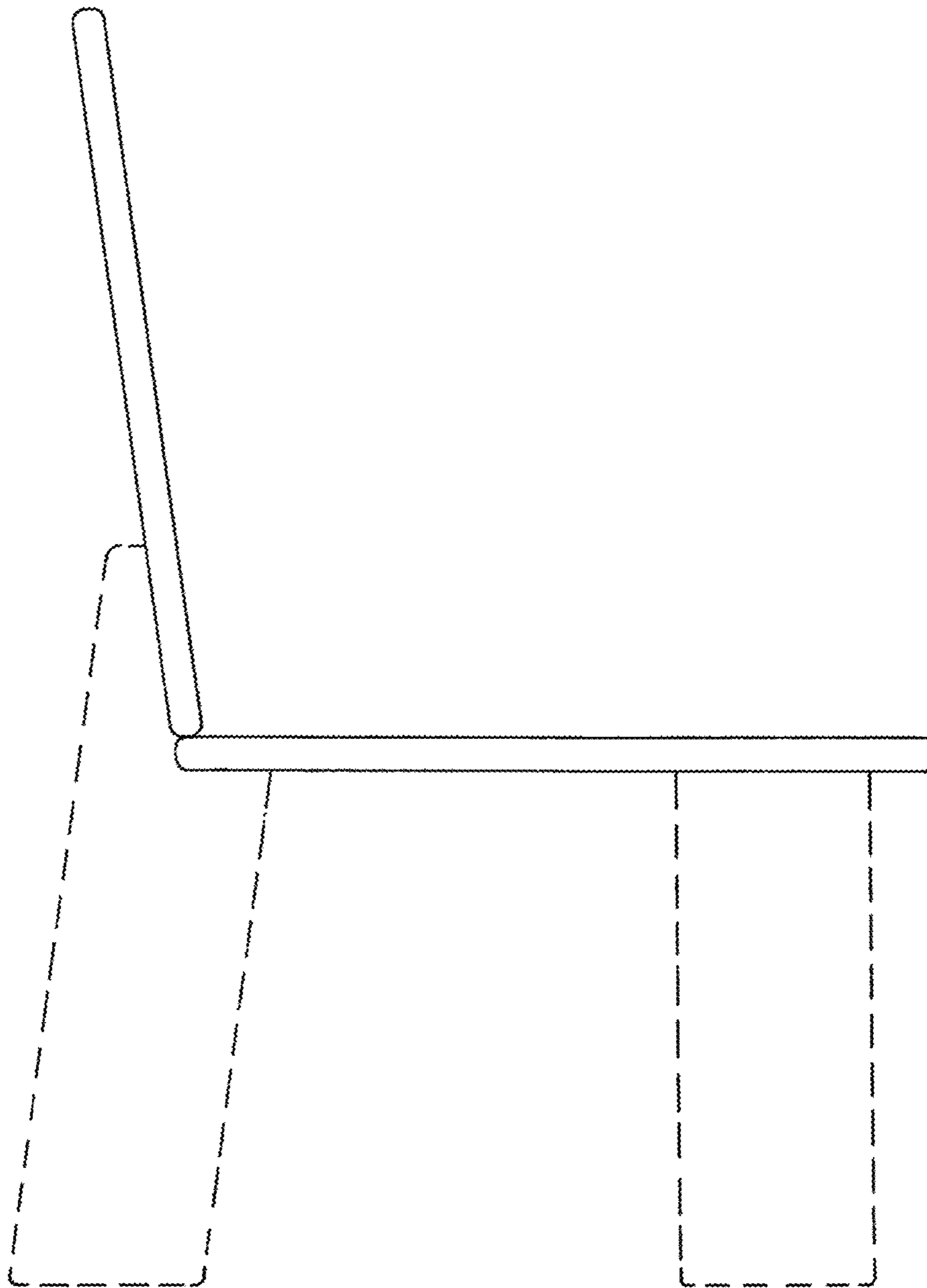


FIG. 5

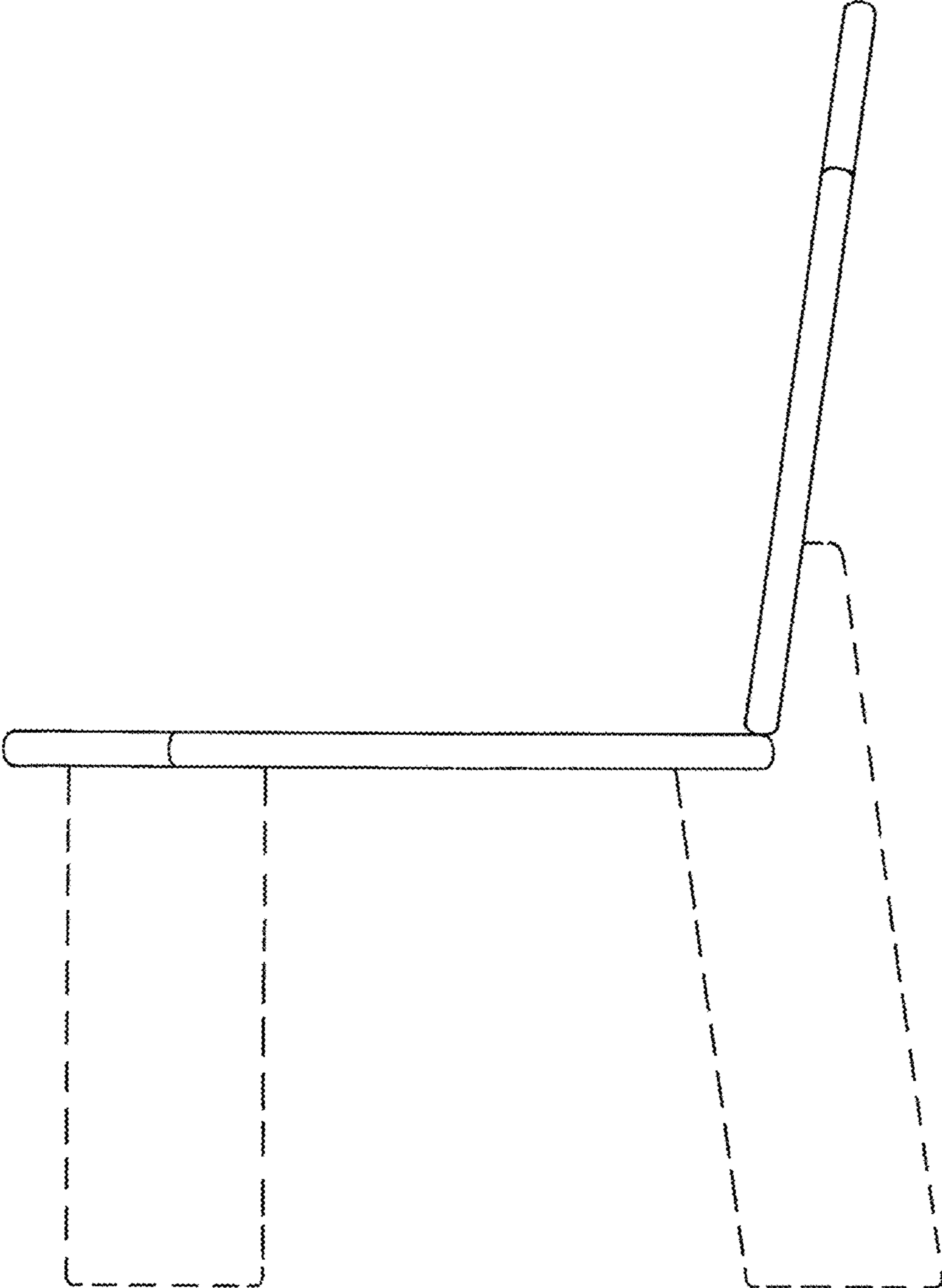


FIG. 6