



US00D915113S

(12) **United States Design Patent**  
**Boberg**

(10) **Patent No.:** **US D915,113 S**

(45) **Date of Patent:** **\*\* Apr. 6, 2021**

(54) **LEANING STAND**

(71) Applicant: **MAFI AB**, Mora (SE)

(72) Inventor: **Daniel Boberg**, Älvdalen (SE)

(73) Assignee: **MAFI AB**, Mora (SE)

(\*\*) Term: **15 Years**

(21) Appl. No.: **29/695,257**

(22) Filed: **Jun. 18, 2019**

(30) **Foreign Application Priority Data**

Jan. 23, 2019 (EM) ..... 006082103

(51) **LOC (13) Cl.** ..... **06-06**

(52) **U.S. Cl.**  
USPC ..... **D6/708.23**

(58) **Field of Classification Search**  
USPC ..... D6/672, 681, 681.1, 681.2, 682.5, 708,  
D6/708.16, 708.17, 708.22, 708.23,  
D6/708.24, 708.25; D11/130.1;  
D14/227, 229, 238

CPC ..... A47C 7/00; A47C 7/002; A47C 7/004;  
A47B 2013/025; A47B 91/005; A47B  
2019/007; A47B 2200/0022; A47B 13/06;  
A47B 13/02; A47B 2013/026

See application file for complete search history.

(56) **References Cited**

**U.S. PATENT DOCUMENTS**

- 1,028,787 A \* 6/1912 Rossmeissl et al. ... A47G 33/12  
248/525
- D47,801 S \* 9/1915 Ramsing et al. .... D11/131
- 1,460,859 A \* 7/1923 Mayer ..... A47G 7/041  
248/525
- 1,575,488 A \* 3/1926 Jakobey ..... A47G 33/1206  
47/40.5
- D139,238 S \* 10/1944 Fernekas et al. .... D11/130.1

- 2,478,278 A \* 8/1949 Kiesow ..... A47G 33/1213  
47/40.5
- D168,379 S \* 12/1952 Scanland et al. .... D11/130.1
- D168,941 S \* 3/1953 Kuehne et al. .... D6/708.16
- D177,698 S \* 5/1956 Scanland et al. .... D11/130.1
- 2,821,353 A \* 1/1958 Hasenohrl ..... A47G 33/12  
248/515
- 2,891,747 A \* 6/1959 Steede ..... A47G 33/12  
47/40.5
- 3,207,462 A \* 9/1965 Zimmerman ..... A47C 7/002  
248/159
- 3,208,795 A \* 9/1965 Schultz ..... A47C 5/12  
297/446.2
- 3,366,079 A \* 1/1968 Koransky ..... A47B 3/12  
108/157.15
- D214,798 S \* 7/1969 Court et al. .... D6/672
- 3,537,670 A \* 11/1970 Dionne ..... A47B 13/023  
248/188.7

(Continued)

**OTHER PUBLICATIONS**

ebay tree stand, ebay.com, <https://www.ebay.com/itm/Vintage-Americas-Favorite-Red-Green-Christmas-Tree-Holder-Stand-Handy-Things/373362468510?hash=item56ee23269e:g:8EMAAOSwOxtfvFjp> (Year: 2020).\*

(Continued)

*Primary Examiner* — Steven J Czyz  
(74) *Attorney, Agent, or Firm* — Nixon & Vanderhye P.C.

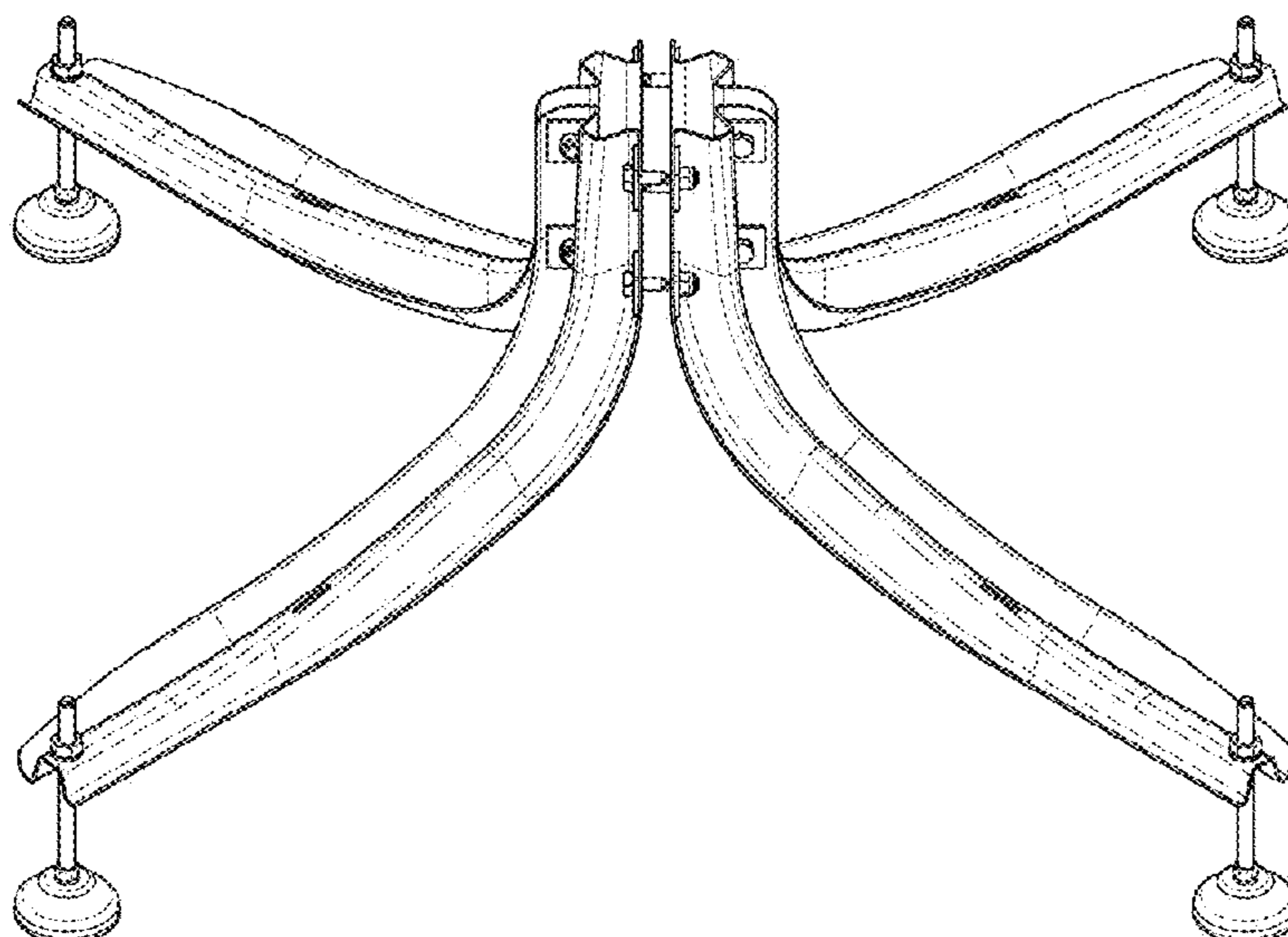
(57) **CLAIM**

The ornamental design for a leaning stand, as shown and described.

**DESCRIPTION**

FIG. 1 is a perspective view of a leaning stand;  
FIG. 2 is a bottom perspective view thereof;  
FIG. 3 is a side view thereof, the opposite side, front and rear views being identical;  
FIG. 4 is a top view thereof; and,  
FIG. 5 is a bottom view thereof.

**1 Claim, 5 Drawing Sheets**



(56)

References Cited

U.S. PATENT DOCUMENTS

3,661,349 A \* 5/1972 De Vries ..... A47G 33/1213  
47/40.5  
3,733,040 A \* 5/1973 Rocquin ..... A47G 33/12  
248/524  
D232,791 S \* 9/1974 Schulz et al. .... D11/130.1  
3,863,875 A \* 2/1975 Olson ..... A47B 13/06  
248/188.1  
D234,991 S \* 4/1975 Olivier et al. .... D11/130.1  
3,990,663 A \* 11/1976 Hendrickson ..... A47B 3/06  
248/188.7  
4,006,560 A \* 2/1977 Schulz ..... A47G 33/12  
47/40.5  
D247,014 S \* 1/1978 Chulick ..... D11/130.1  
4,169,625 A \* 10/1979 Petersen ..... A47C 4/02  
248/165  
D260,338 S \* 8/1981 Savage ..... D6/681.1  
D261,341 S \* 10/1981 Eberle ..... D6/708.17  
4,324,433 A \* 4/1982 Saiger ..... A47C 4/02  
108/155  
D279,887 S \* 7/1985 Sumpter ..... D11/130.1  
D280,275 S \* 8/1985 Criqui ..... D6/692.4  
D281,039 S \* 10/1985 Hurst ..... D6/681.2  
D297,520 S \* 9/1988 Thomas ..... D11/130.1  
4,825,781 A \* 5/1989 Palmer ..... A47B 3/06  
108/115  
D305,702 S \* 1/1990 Taliani ..... D3/10  
D308,028 S \* 5/1990 Moriarty ..... D11/130.1  
D325,440 S \* 4/1992 Landis ..... D24/128  
D326,577 S \* 6/1992 Edwards ..... D6/708.25  
D327,105 S \* 6/1992 Smith, Jr. .... D21/691  
D328,042 S \* 7/1992 Lai ..... D11/130.1  
D343,593 S \* 1/1994 Lawrence ..... D11/130.1  
5,290,004 A \* 3/1994 Frost ..... A47G 33/12  
248/188.7  
D354,411 S \* 1/1995 Berkowitz ..... D6/708.16  
D379,878 S \* 6/1997 Vassallo ..... A47C 3/18  
D6/681.1  
5,673,892 A \* 10/1997 Kjellman ..... A47C 3/18  
248/188.7  
D410,804 S \* 6/1999 Murray ..... A47C 4/02  
D6/681  
D435,365 S \* 12/2000 Eason ..... B60B 33/0002  
D16/244

D451,431 S \* 12/2001 Kao ..... D11/130.1  
D451,839 S \* 12/2001 Pomeroy ..... D11/130.1  
D456,186 S \* 4/2002 Liu ..... D6/365  
D504,805 S \* 5/2005 Sorkin ..... D14/224  
7,028,968 B2 \* 4/2006 Washick ..... A47G 33/126  
248/349.1  
D549,015 S \* 8/2007 Petrick ..... D6/681  
D560,406 S \* 1/2008 Privatt ..... D6/708.23  
D561,498 S \* 2/2008 Egger ..... D6/708.23  
D569,136 S \* 5/2008 Pearsons ..... D6/708.23  
D575,188 S \* 8/2008 Bycraft ..... D11/130  
D583,593 S \* 12/2008 Egger ..... D6/708.23  
D595,518 S \* 7/2009 Zapanta ..... D6/681.1  
D599,142 S \* 9/2009 Lovegrove ..... D6/708.16  
D638,235 S \* 5/2011 Roy ..... D6/708.16  
7,984,884 B1 \* 7/2011 Iliev ..... A47G 33/12  
248/146  
D644,046 S \* 8/2011 Cronk ..... D6/708  
D646,501 S \* 10/2011 Hepeng ..... A47G 33/12  
D6/681.1  
D662,339 S \* 6/2012 Hazzard ..... D6/708.23  
D665,603 S \* 8/2012 Huang ..... D6/708.23  
8,303,041 B2 \* 11/2012 Gasser ..... A47C 7/002  
297/440.22  
D675,043 S \* 1/2013 Korb ..... D6/708  
D748,936 S \* 2/2016 Kanrilak ..... A47G 7/041  
D6/681  
D760,521 S \* 7/2016 Galiotto ..... D6/708.17  
D793,785 S \* 8/2017 Ediger ..... D6/708.23  
D794,365 S \* 8/2017 Izawa ..... D6/708.23  
D825,375 S \* 8/2018 Zhao ..... D11/130.1  
D854,863 S \* 7/2019 Majer ..... A47G 33/12  
D6/681.1  
D859,045 S \* 9/2019 Dorigo ..... D6/708.23  
D863,100 S \* 10/2019 Zhao ..... D11/130.1  
10,654,315 B1 \* 5/2020 Kamrowski ..... B60B 33/0002  
D904,222 S \* 12/2020 Zhao ..... D11/130.1

OTHER PUBLICATIONS

Jack Post Tree stand, wayfair.com, <https://www.wayfair.com/holiday-decor/pdp/jack-post-medium-steel-stand-jkp1164.html> (Year: 2020).\*  
Vintage Metal Christmas Tree stand, Bentleysshop, etsy.com, <https://www.etsy.com/listing/707727959/vintage-metal-christmas-tree-stand-with> (Year: 2020).\*

\* cited by examiner

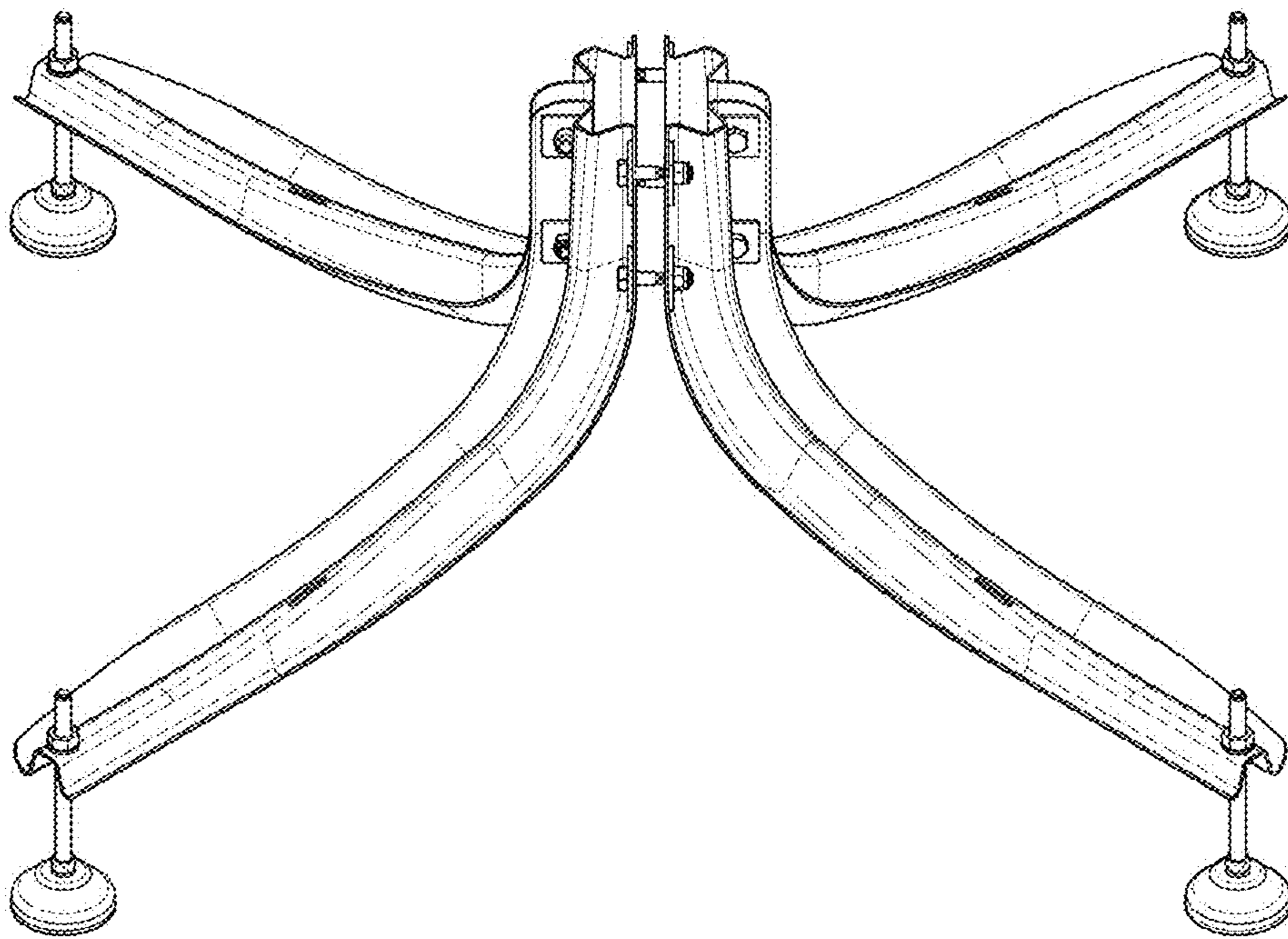


FIG. 1

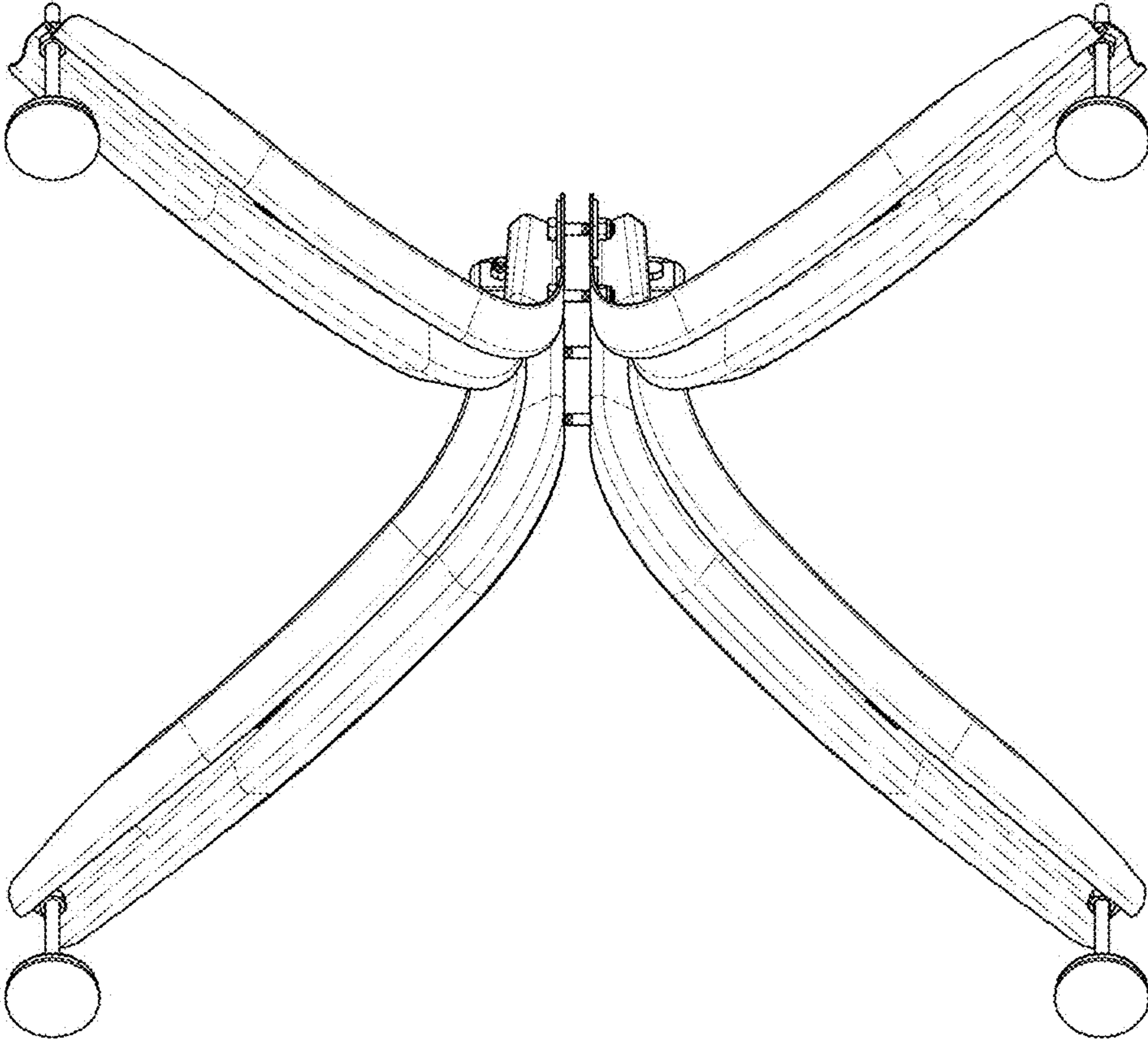
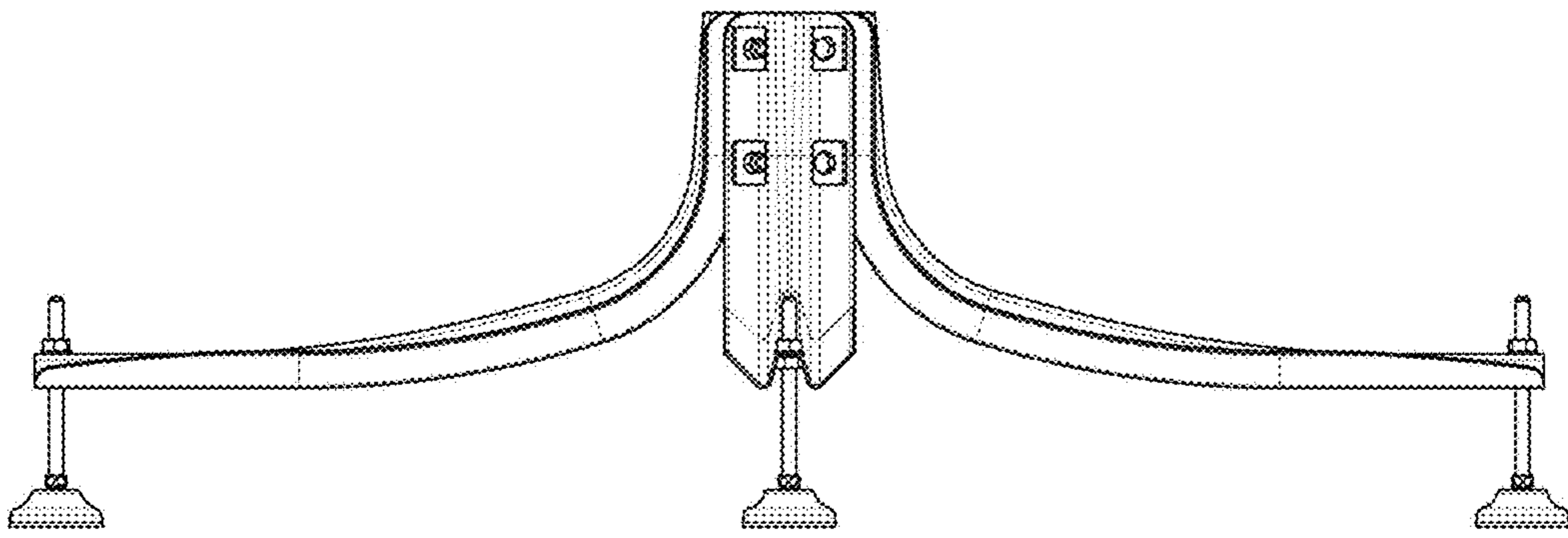
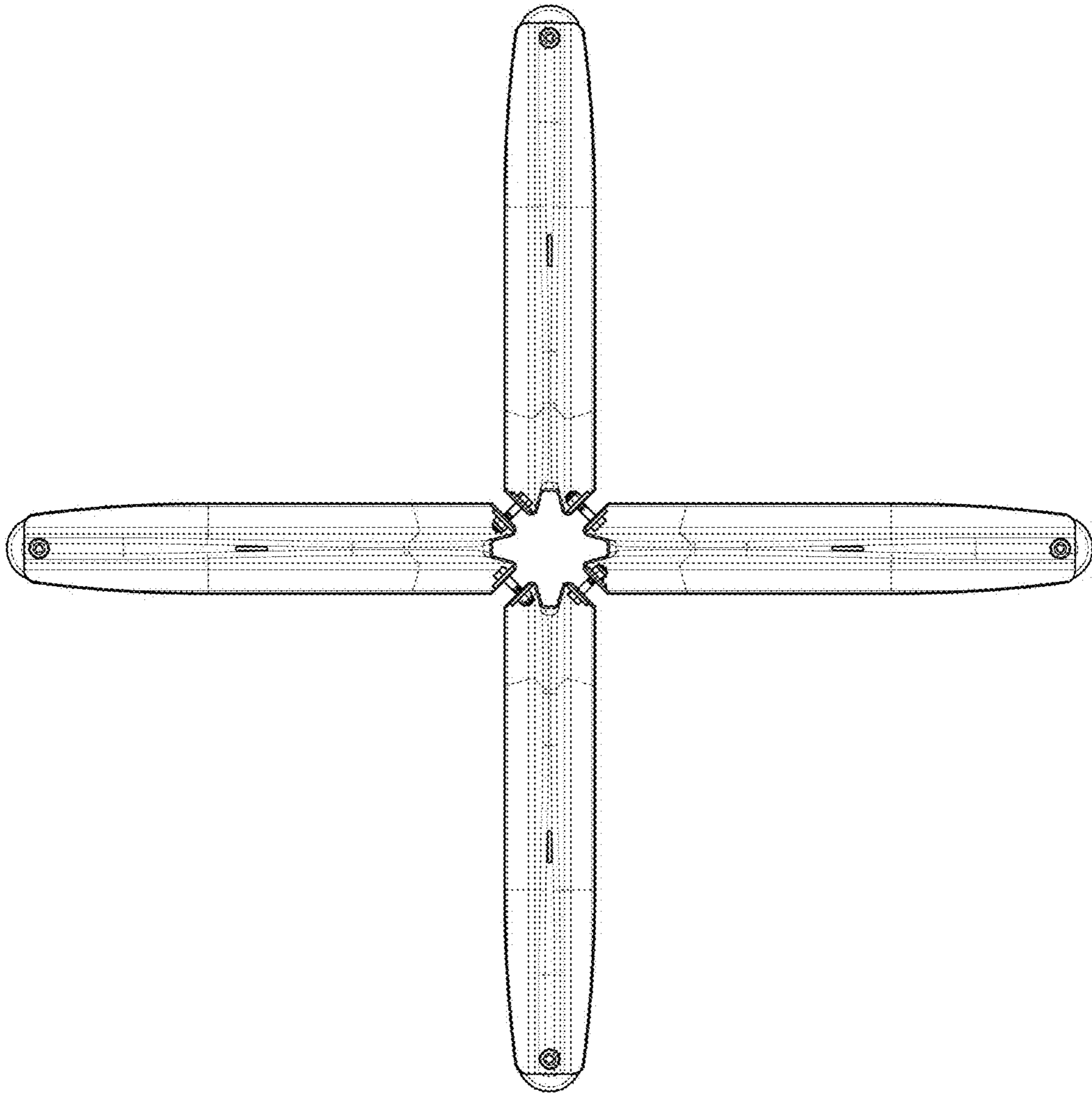


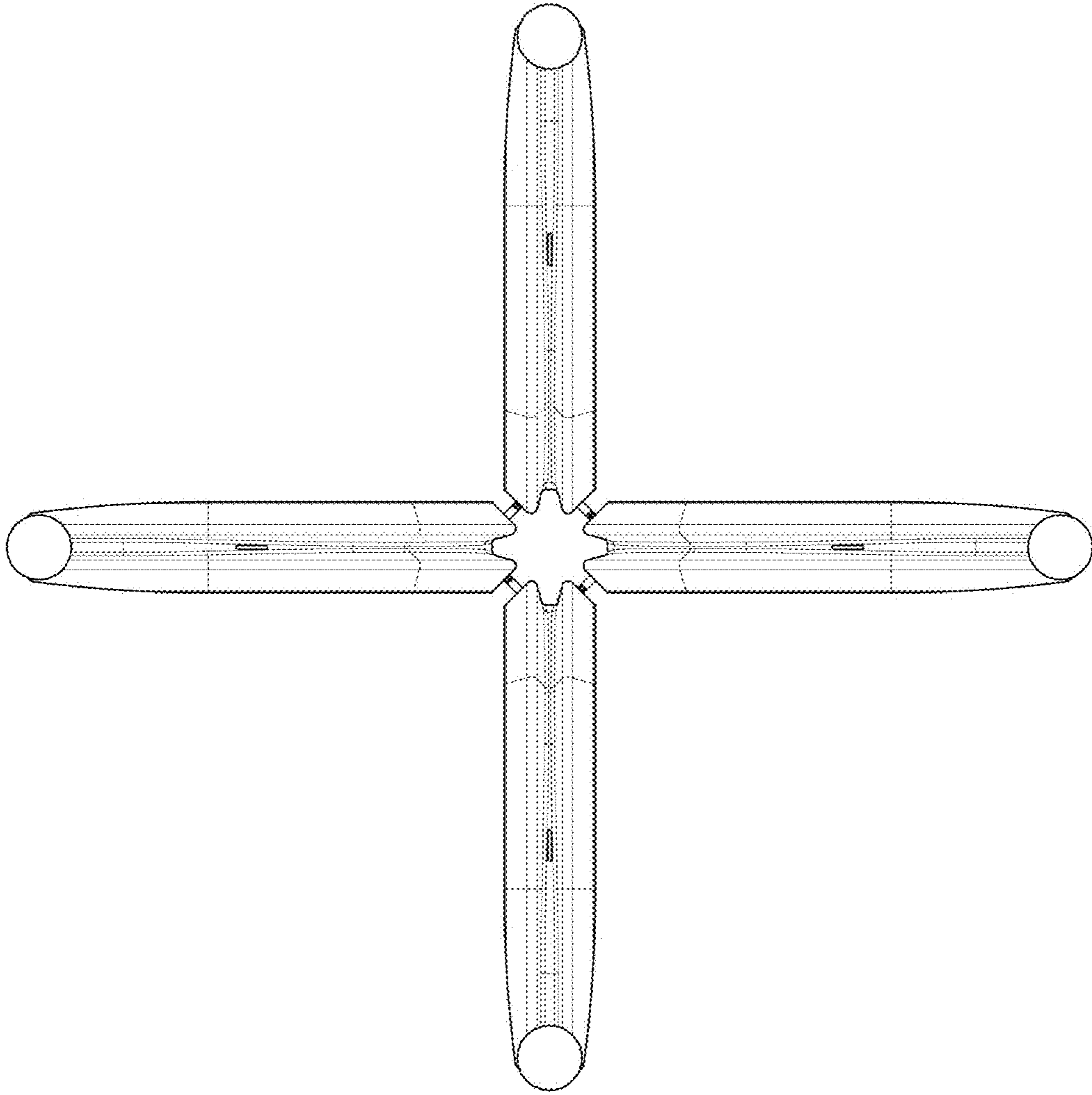
FIG. 2



**FIG. 3**



**FIG. 4**



**FIG. 5**