



US00D915112S

(12) **United States Design Patent**
Pocci et al.

(10) **Patent No.:** **US D915,112 S**
(45) **Date of Patent:** **** Apr. 6, 2021**

(54) **TABLE BASE**

D613,974 S * 4/2010 Muller D6/708
D693,160 S * 11/2013 Baylar D6/708
D870,501 S * 12/2019 Jiang D6/709.22

(71) Applicant: **B 4 LIVING SPA**, Camerano (IT)

(72) Inventors: **Marco Pocci**, Colle Val d'Elsa (IT);
Claudio Dondoli, Colle Val d'Elsa (IT)

(**) Term: **15 Years**

(21) Appl. No.: **29/703,515**

(22) Filed: **Aug. 28, 2019**

(30) **Foreign Application Priority Data**

Feb. 28, 2019 (IT) 402019000000379

(51) **LOC (13) Cl.** **06-06**

(52) **U.S. Cl.**
USPC **D6/708.2**

(58) **Field of Classification Search**
USPC D6/691, 692, 702, 708, 708.2
CPC A47B 7/00; A47B 13/00; A47B 13/12;
A47B 2200/002
See application file for complete search history.

(56) **References Cited**

U.S. PATENT DOCUMENTS

D114,758 S * 5/1939 Hartman D6/691.1
D115,119 S * 6/1939 Marano D6/696.2
D215,735 S * 10/1969 Melvin D6/696.7
D337,677 S * 7/1993 Loznikov D6/708
D563,123 S * 3/2008 Muller D6/708
D604,533 S * 11/2009 Muller D6/708

OTHER PUBLICATIONS

Furniture of America Xenda Coffee Table—Amazon.com https://www.amazon.com/dp/B00H7YHO8S/ref=asc_df_B00H7YHO8S1601031600000?tag=me retrieved from the internet on Sep. 26, 2020.*

* cited by examiner

Primary Examiner — Mary Ann Calabrese
(74) *Attorney, Agent, or Firm* — Egbert Law Offices, PLLC

(57) **CLAIM**

The ornamental design for a table base, as shown and described.

DESCRIPTION

FIG. 1 is a perspective view of a table base showing our new design.

FIG. 2 is a front view thereof;

FIG. 3 is a rear view thereof;

FIG. 4 is a side view thereof;

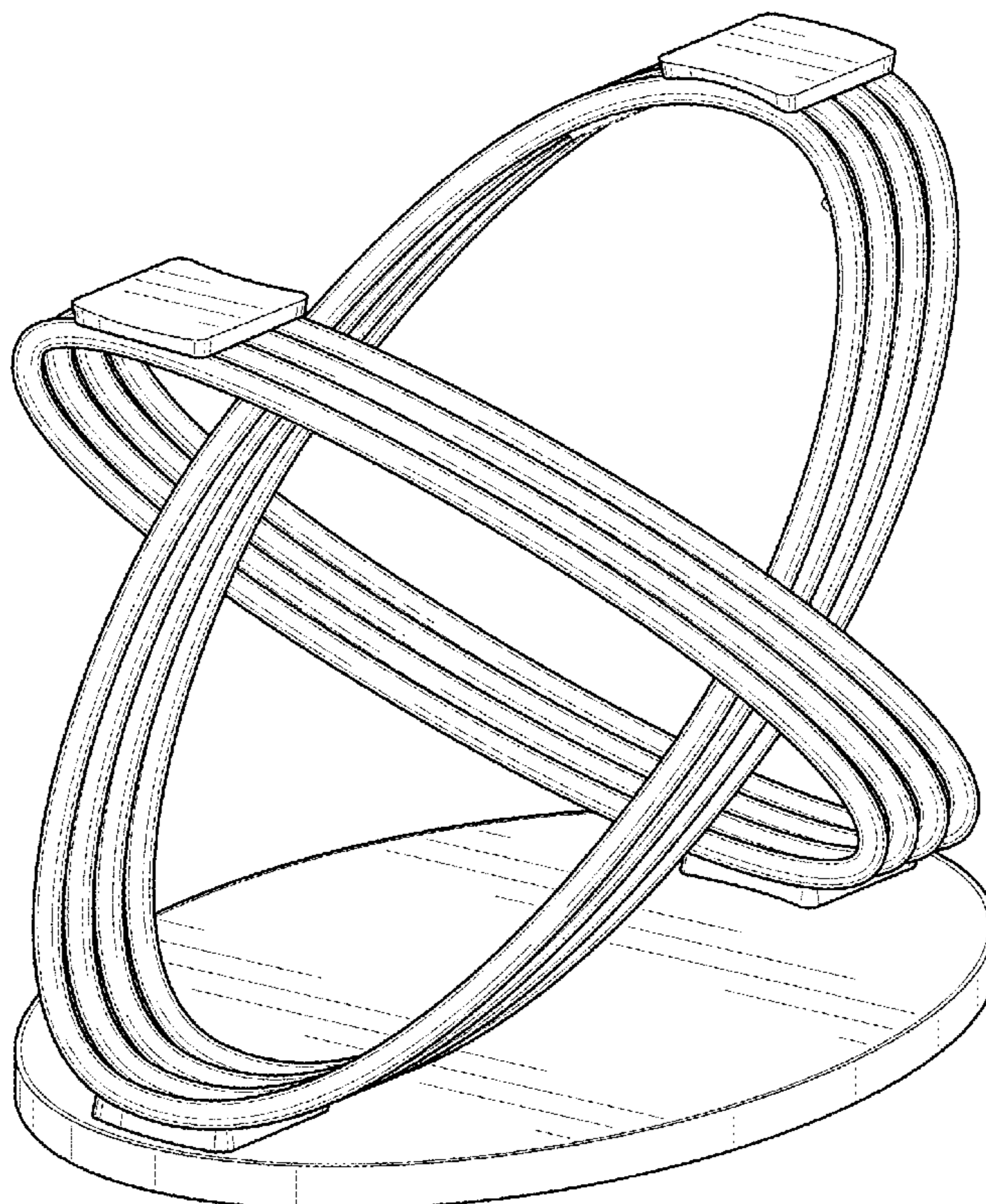
FIG. 5 is an opposite side view thereof;

FIG. 6 is a top view thereof; and,

FIG. 7 is a bottom view thereof.

The features shown in broken lines illustrate portions of the table base that form no part of the claimed design.

1 Claim, 3 Drawing Sheets



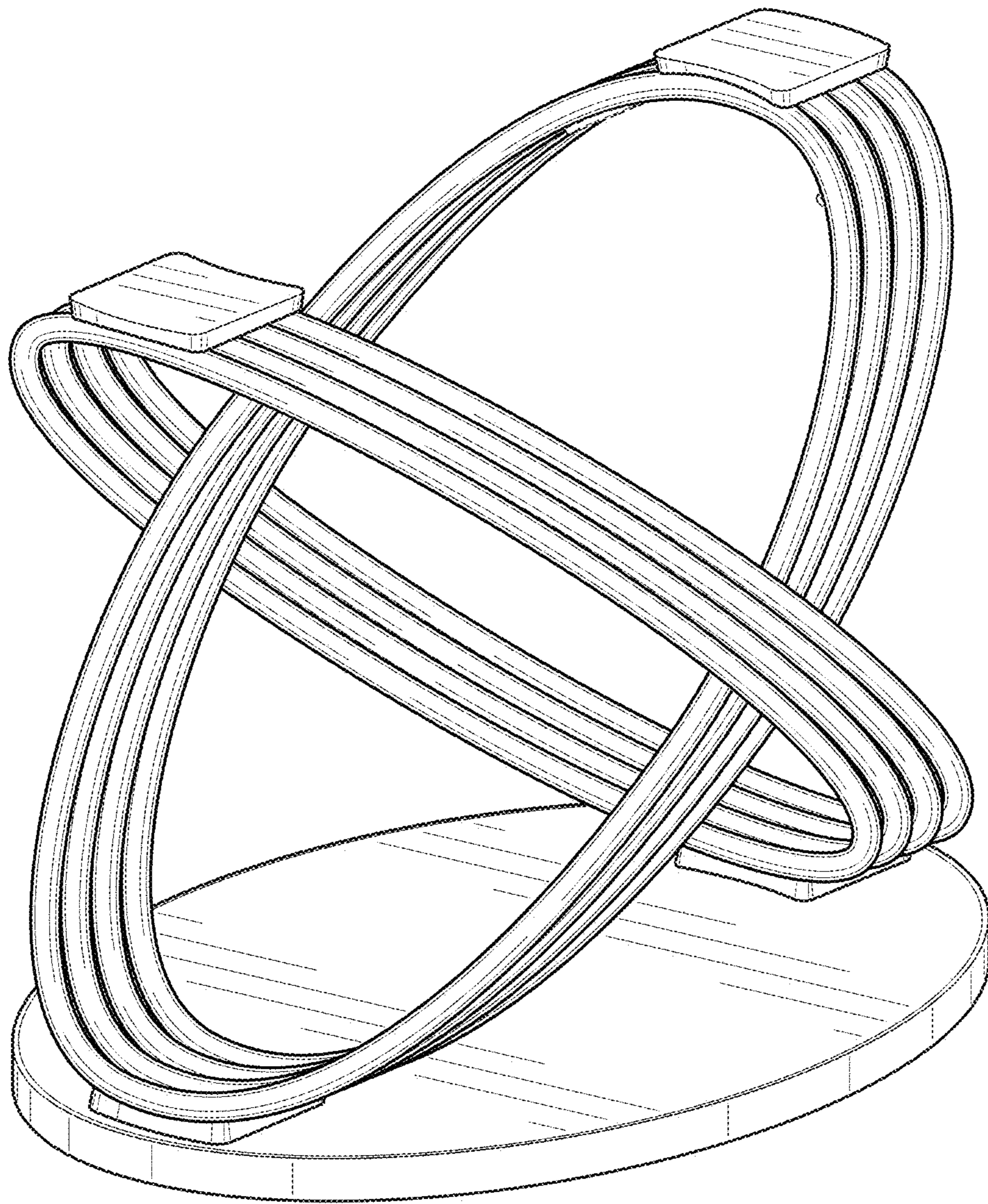


FIG. 1

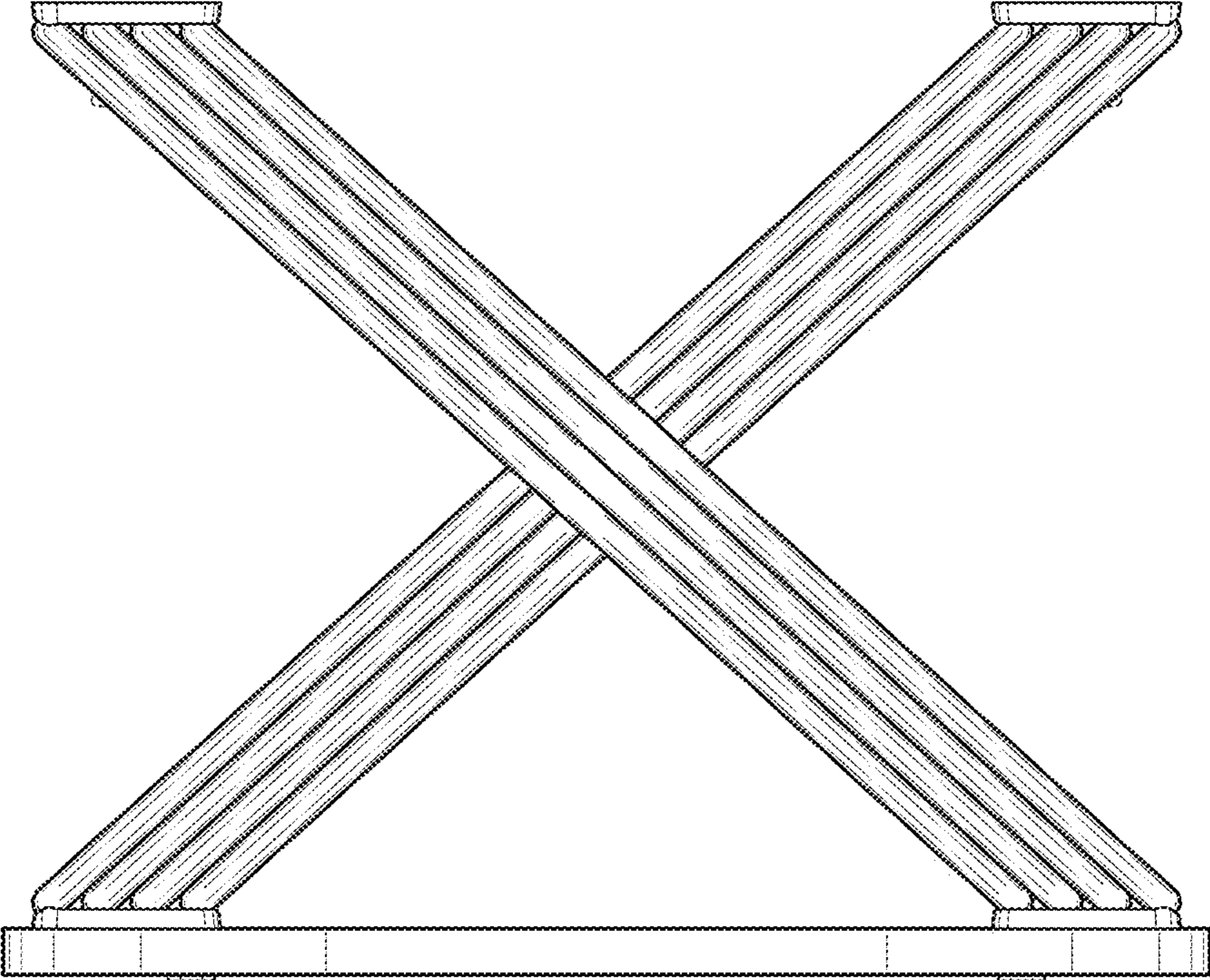


FIG. 2

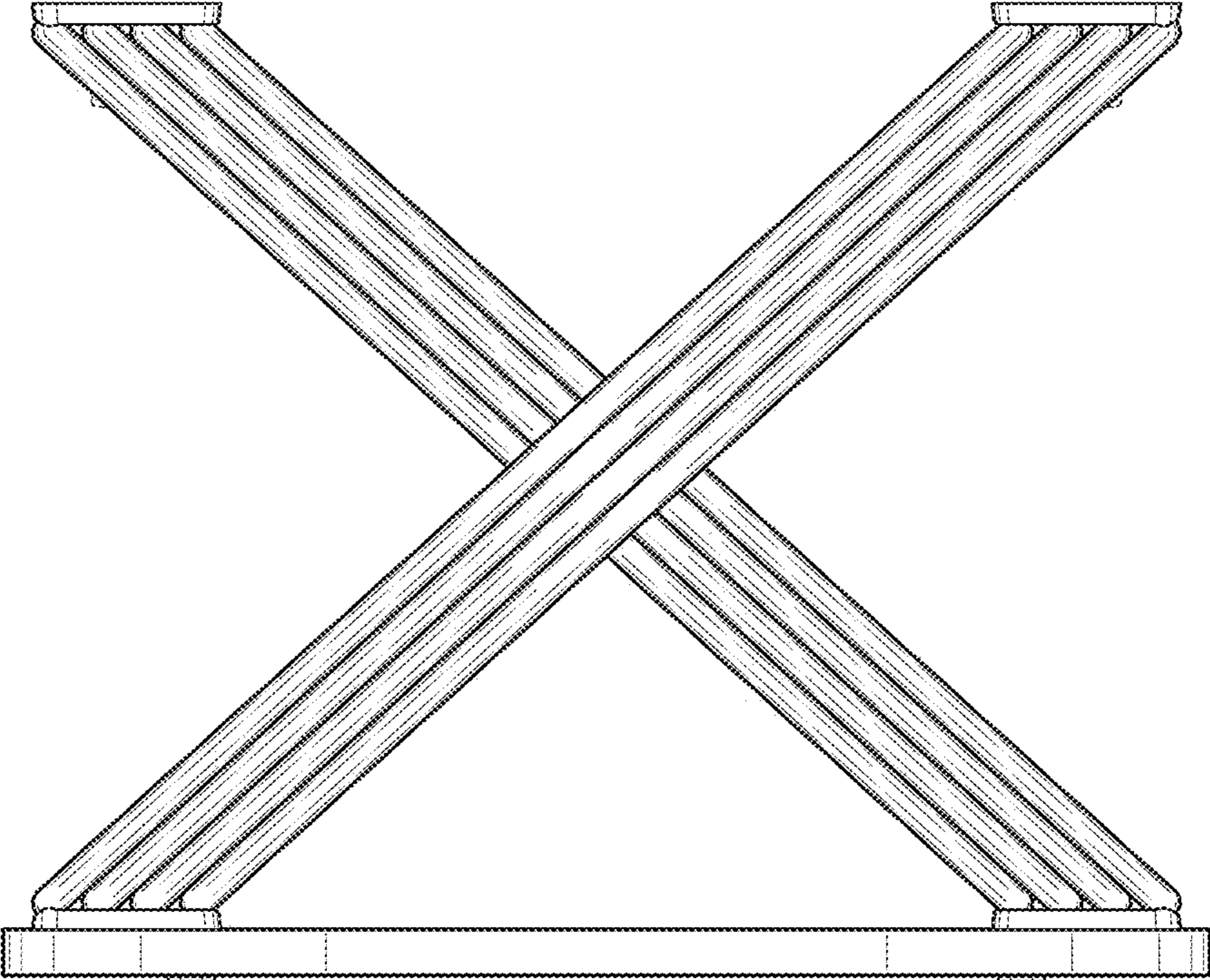


FIG. 3

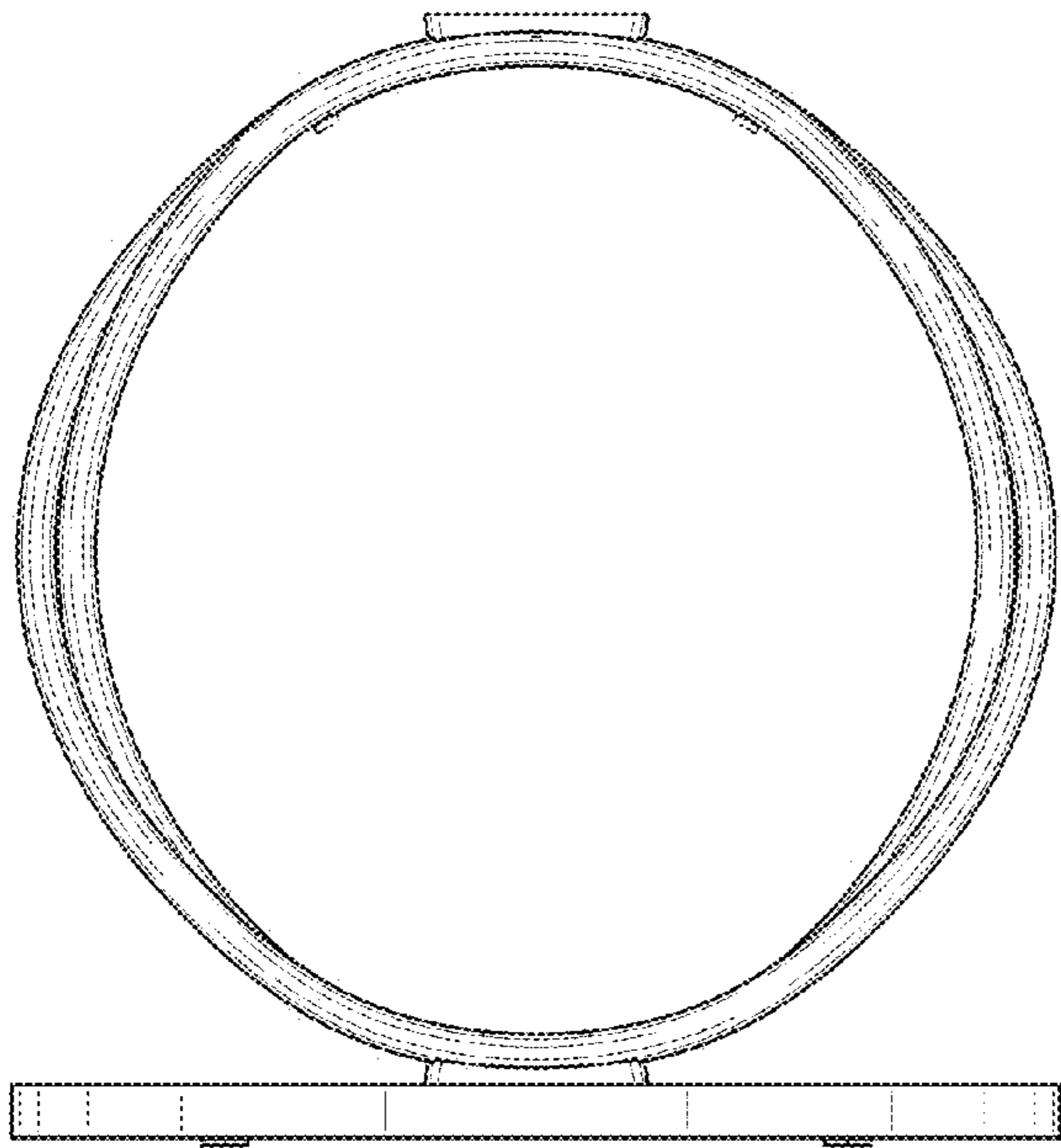


FIG. 4

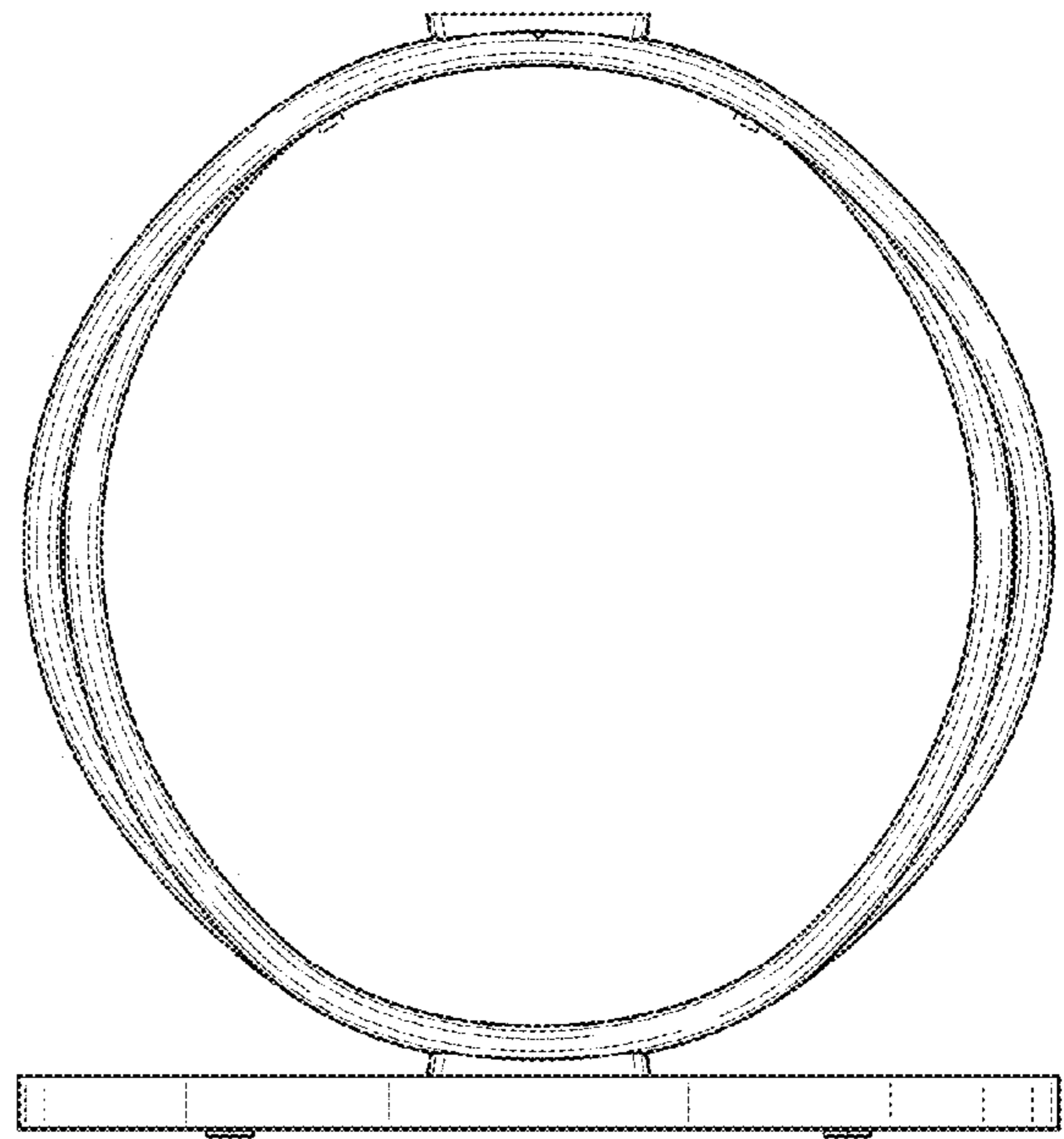


FIG. 5

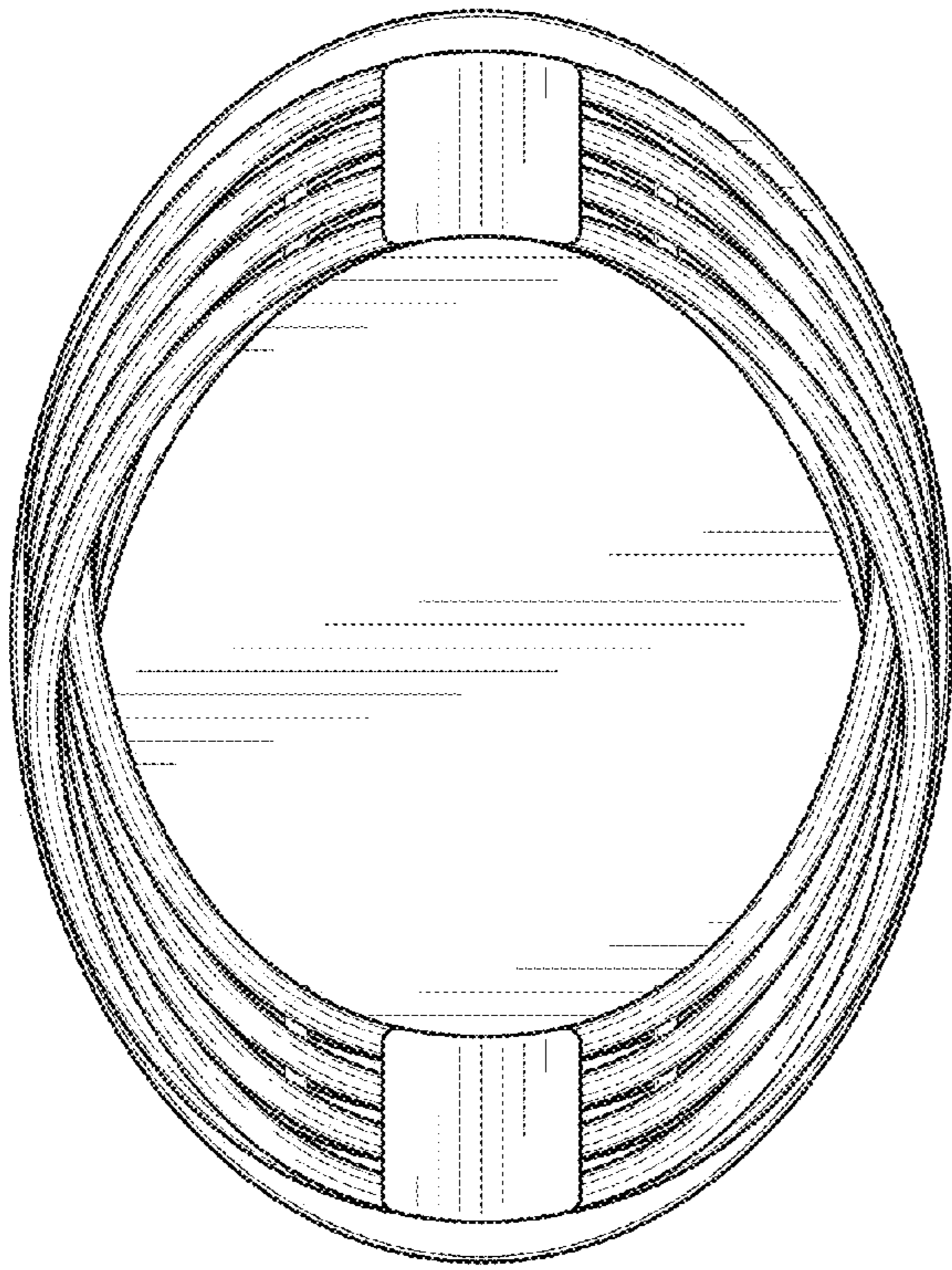


FIG. 6

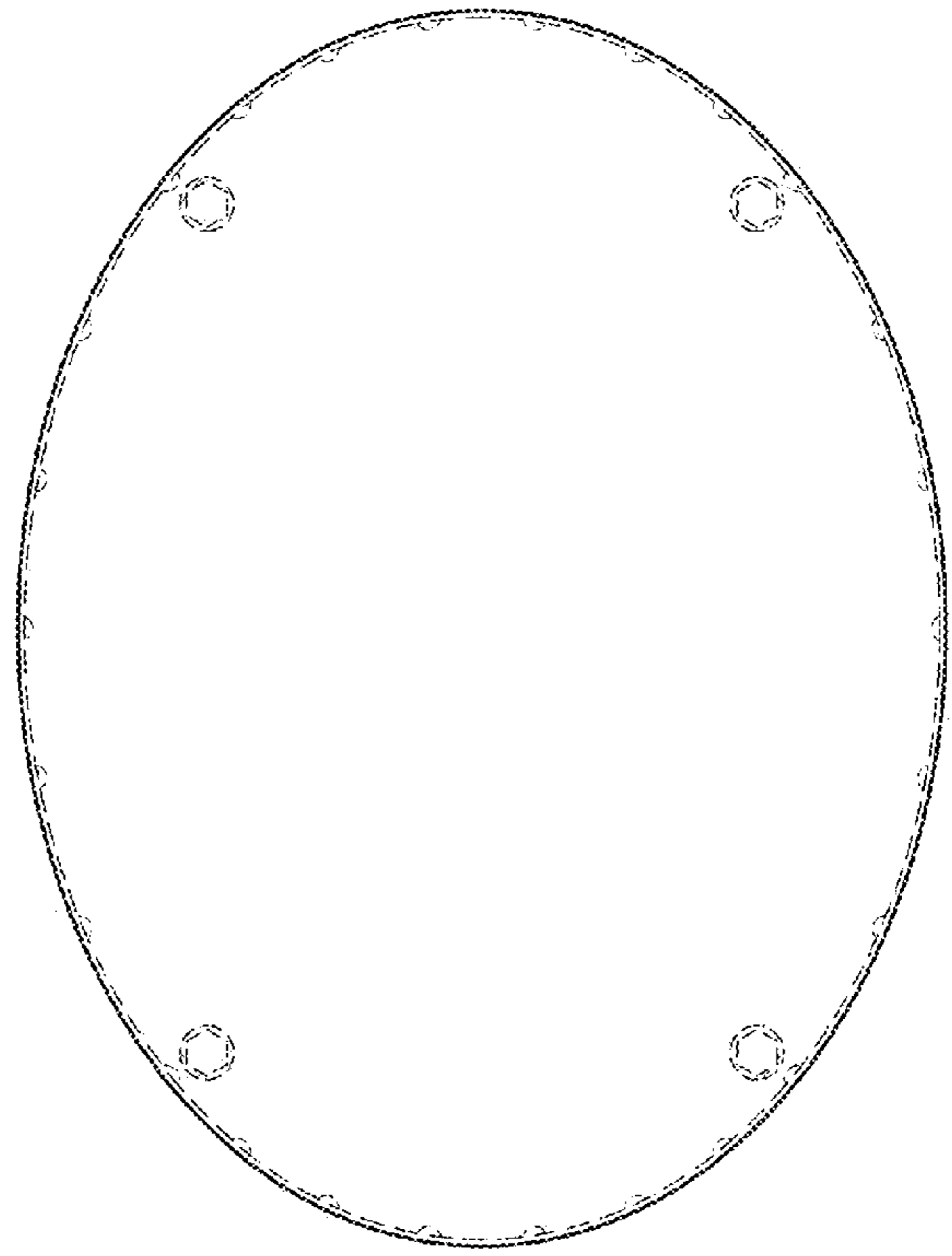


FIG. 7