



US00D915111S

(12) **United States Design Patent** (10) **Patent No.:** **US D915,111 S**  
**Muller** (45) **Date of Patent:** **\*\* Apr. 6, 2021**

(54) **TABLE BASE**

(71) Applicant: **Elite Manufacturing Corporation,**  
Santa Fe Springs, CA (US)

(72) Inventor: **Carl Muller,** Seal Beach, CA (US)

(73) Assignee: **Elite Manufacturing Corporation,**  
Santa Fe Springs, CA (US)

(\*\*) Term: **15 Years**

(21) Appl. No.: **29/695,980**

(22) Filed: **Jun. 24, 2019**

(51) **LOC (13) Cl.** ..... **06-06**

(52) **U.S. Cl.**  
USPC ..... **D6/708; D6/691**

(58) **Field of Classification Search**  
USPC ..... D6/691, 691.4, 682, 692.3, 702, 709,  
D6/709.22  
CPC ..... A47B 7/00; A47B 13/00; A47B 13/12;  
A47B 2200/002

See application file for complete search history.

(56) **References Cited**

**U.S. PATENT DOCUMENTS**

D388,979 S *	1/1998	Walters, III	.....	D6/691.3
D573,377 S *	7/2008	Muller	.....	D6/708
D650,204 S *	12/2011	Muller	.....	D6/708
D665,602 S *	8/2012	Muller	.....	D6/708
D666,849 S *	9/2012	Muller	.....	D6/708
D675,847 S *	2/2013	Mehran	.....	D6/691
D716,595 S	11/2014	Muller		
D716,597 S	11/2014	Muller		
D750,405 S	3/2016	Muller		
D766,635 S	9/2016	Muller		
D770,208 S	11/2016	Muller		
D775,884 S	1/2017	Muller		
D777,492 S	1/2017	Muller		
D795,616 S	8/2017	Muller		
D822,417 S	7/2018	Muller		
D825,966 S	8/2018	Muller		

**OTHER PUBLICATIONS**

Prism—Elite Modern <http://elitemodern.com/products/prism-3/> retrieved from the internet on Sep. 24, 2020.\*

\* cited by examiner

*Primary Examiner* — Mary Ann Calabrese

(74) *Attorney, Agent, or Firm* — Stetina Brunda Garred and Brucker

(57) **CLAIM**

The ornamental design for a table base, as shown and described.

**DESCRIPTION**

FIG. 1 is a perspective view of a table base showing my new design;

FIG. 2 is a top plan view thereof;

FIG. 3 is a front and rear elevational view thereof;

FIG. 4 is a side elevational view thereof;

FIG. 5 is a bottom plan view thereof;

FIG. 6 is a perspective view of a second embodiment of a table base showing my new design;

FIG. 7 is a top plan view thereof;

FIG. 8 is a front and rear elevational view thereof;

FIG. 9 is a side elevational view thereof;

FIG. 10 is a bottom plan view thereof;

FIG. 11 is a perspective view of a third embodiment of a table base showing my new design;

FIG. 12 is a top plan view thereof;

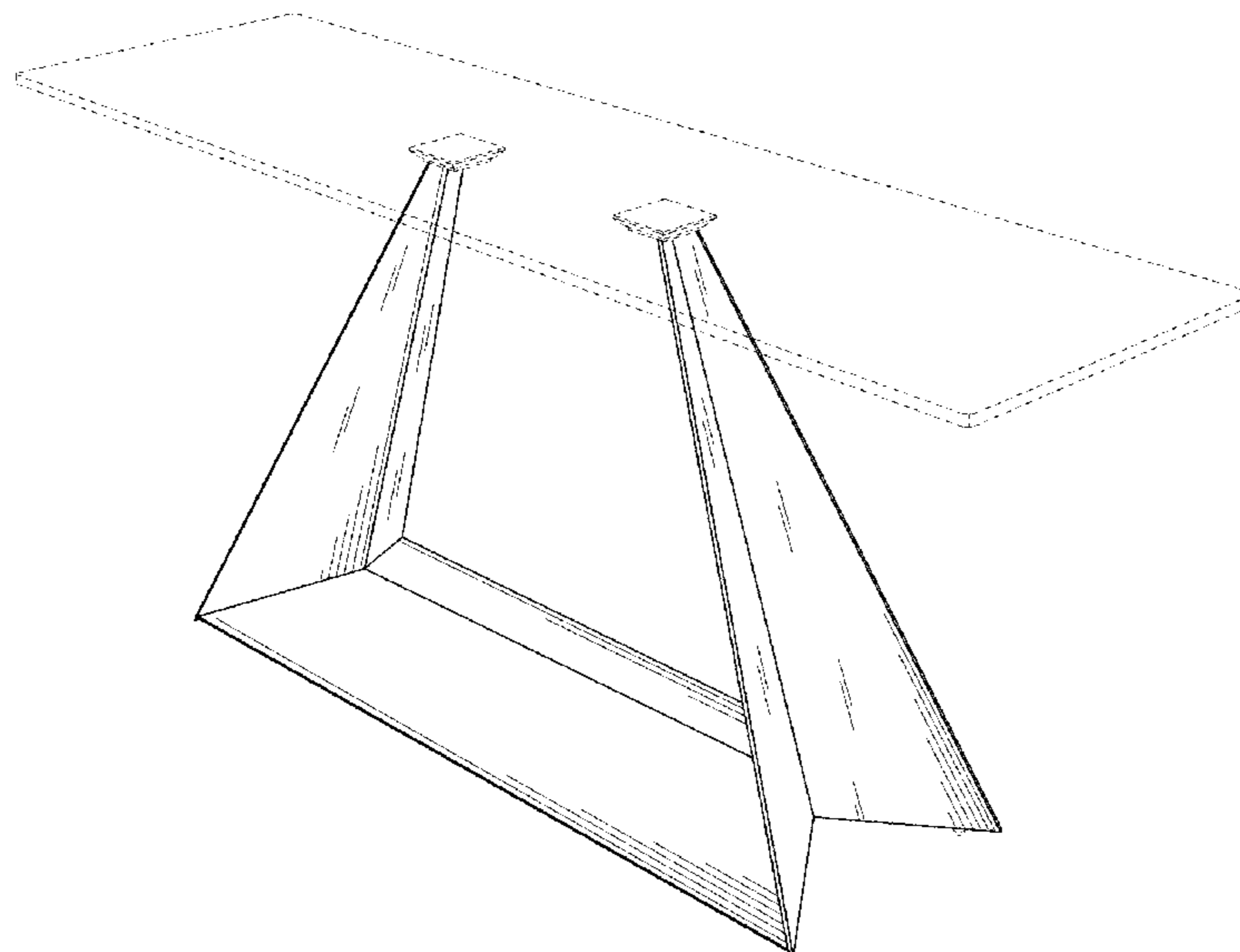
FIG. 13 is a front and rear elevational view thereof;

FIG. 14 is a side elevational view thereof; and,

FIG. 15 is a bottom plan view thereof.

The broken lines shown in the drawings illustrate environment that forms no part of the claimed design.

**1 Claim, 11 Drawing Sheets**



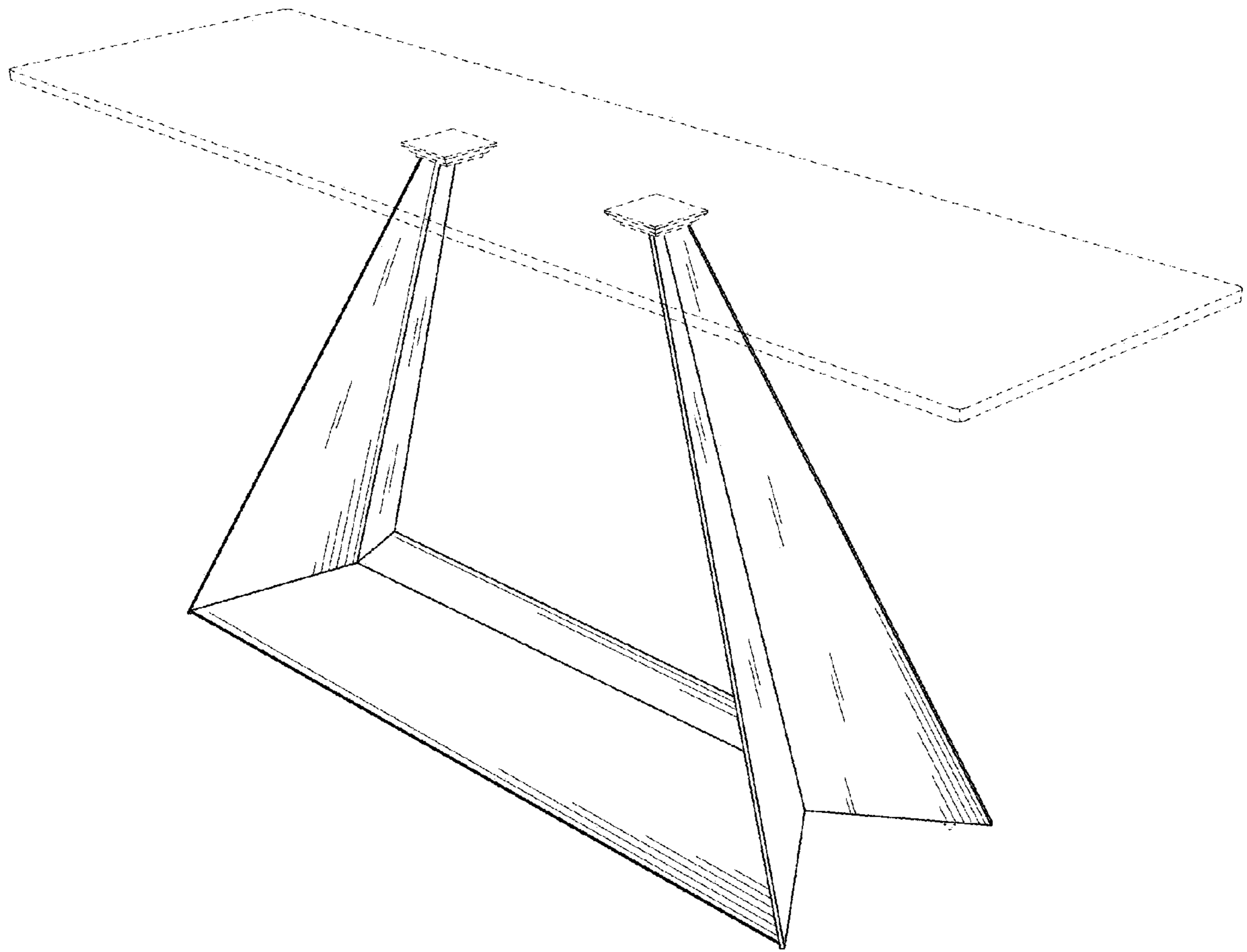


FIG. 1

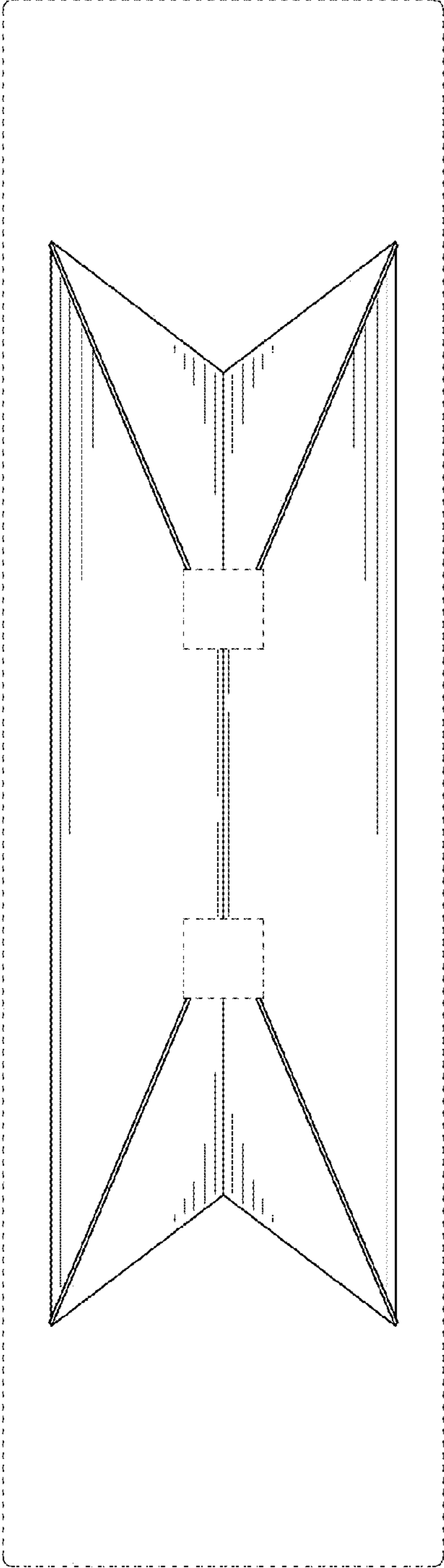


FIG. 2

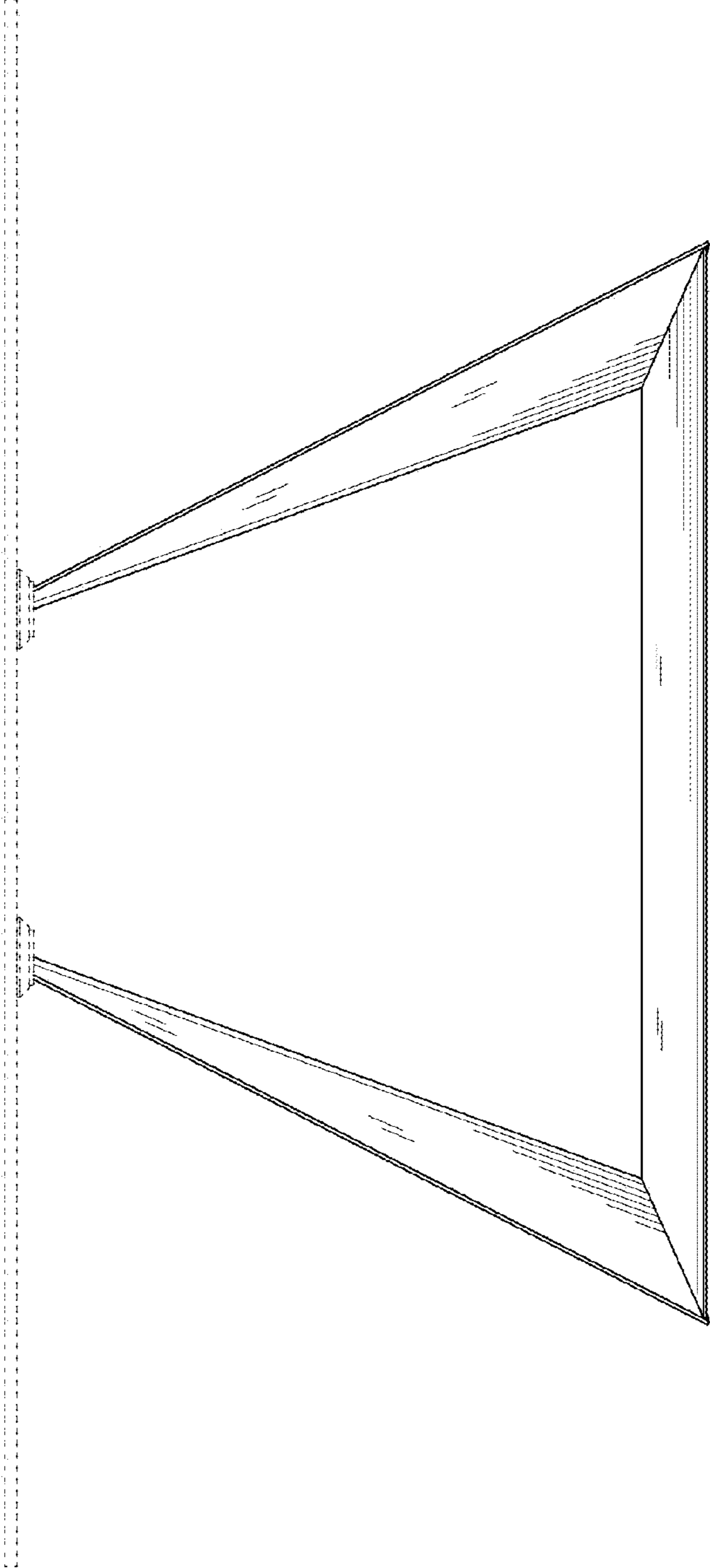


FIG. 3

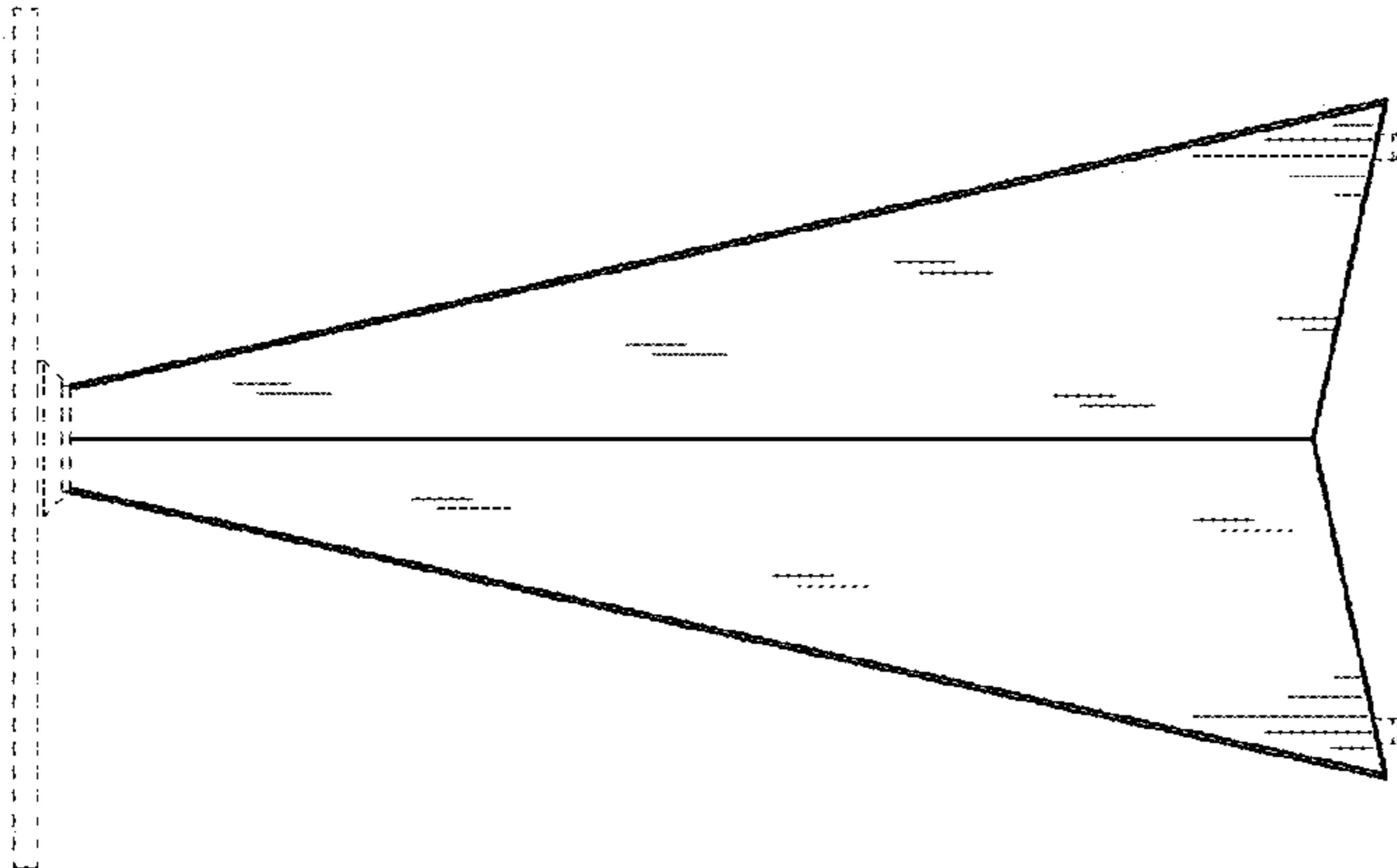


FIG. 4

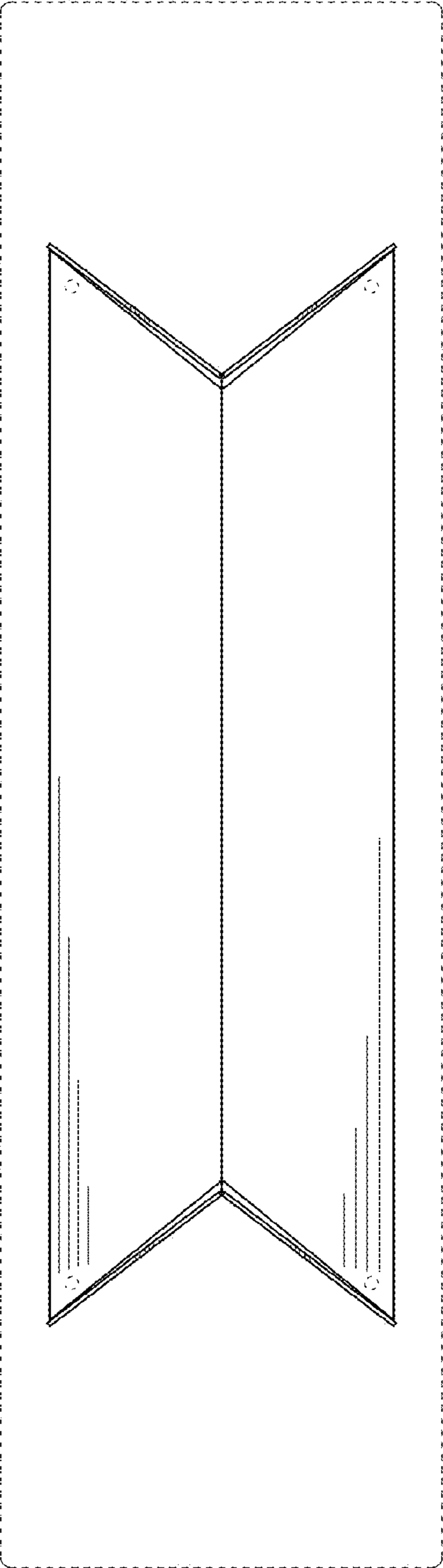


FIG. 5

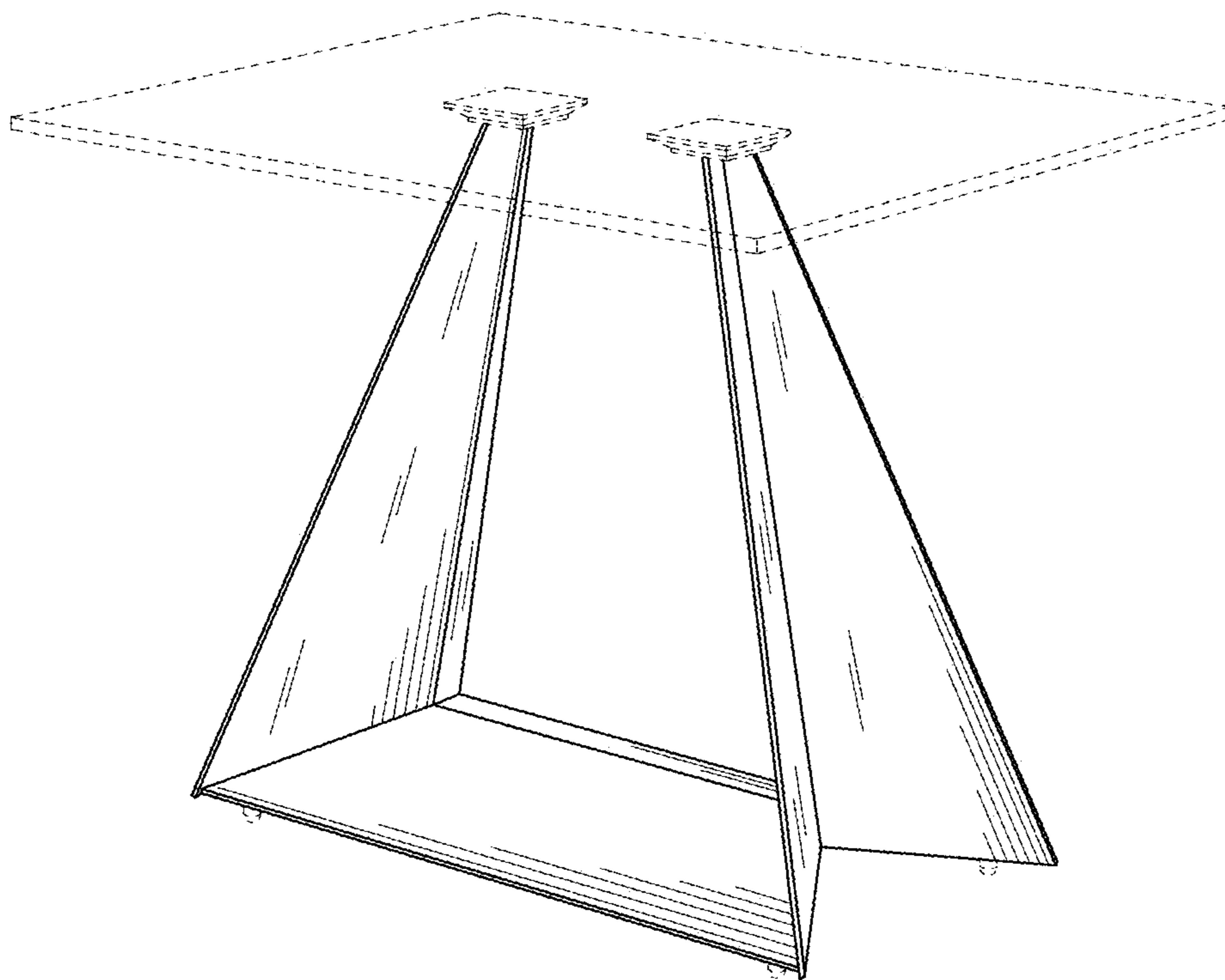


FIG. 6

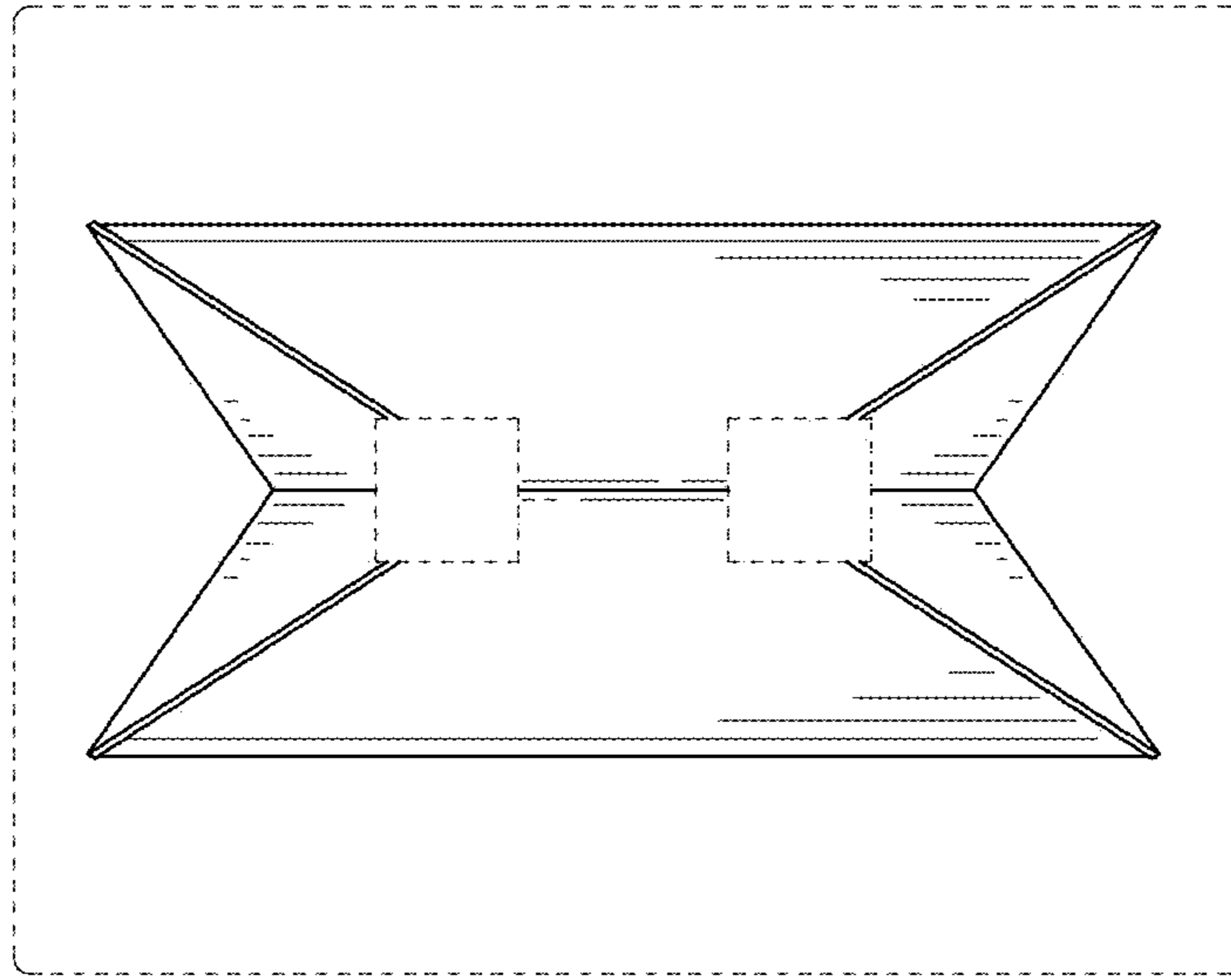


FIG. 7

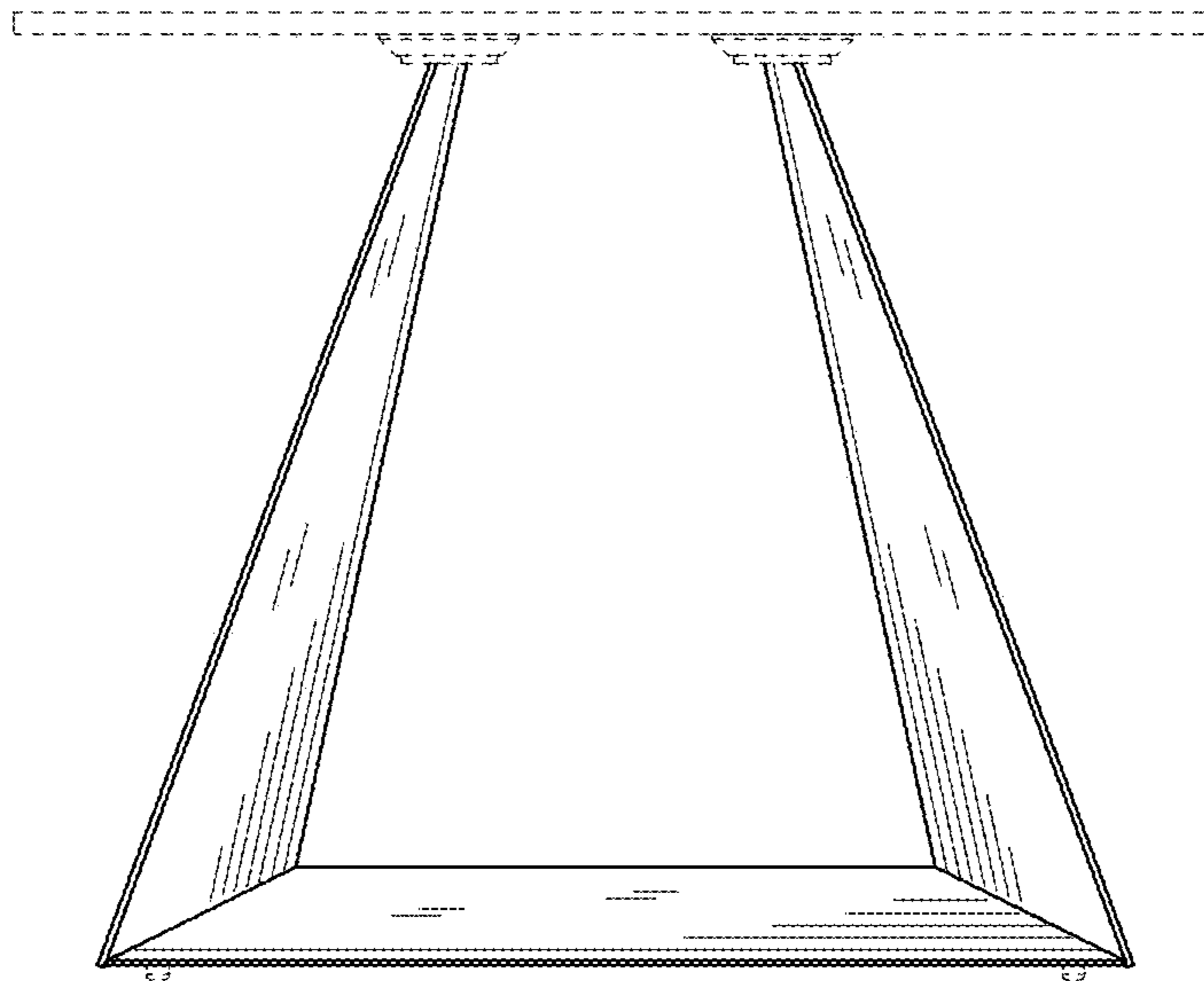
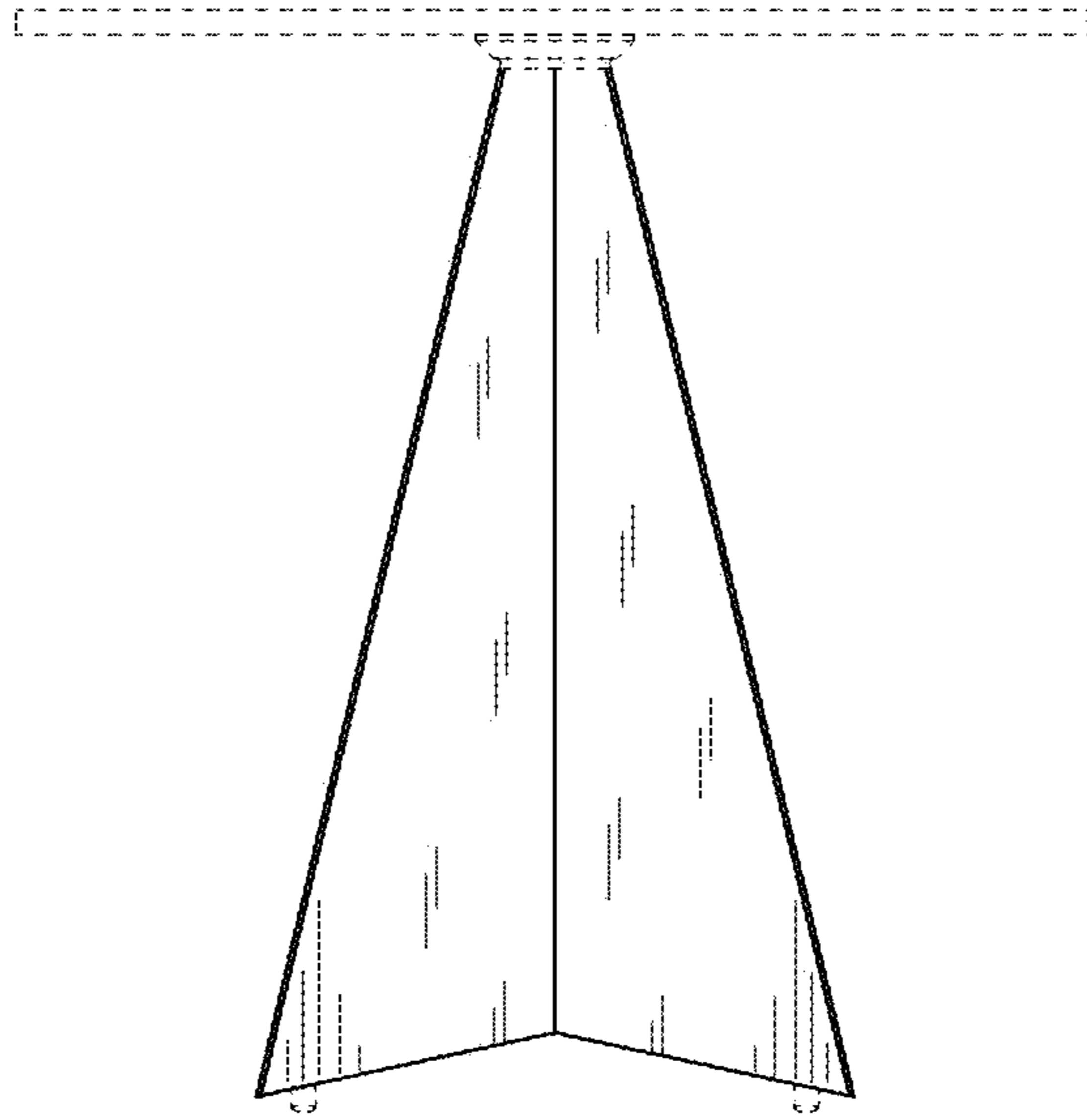
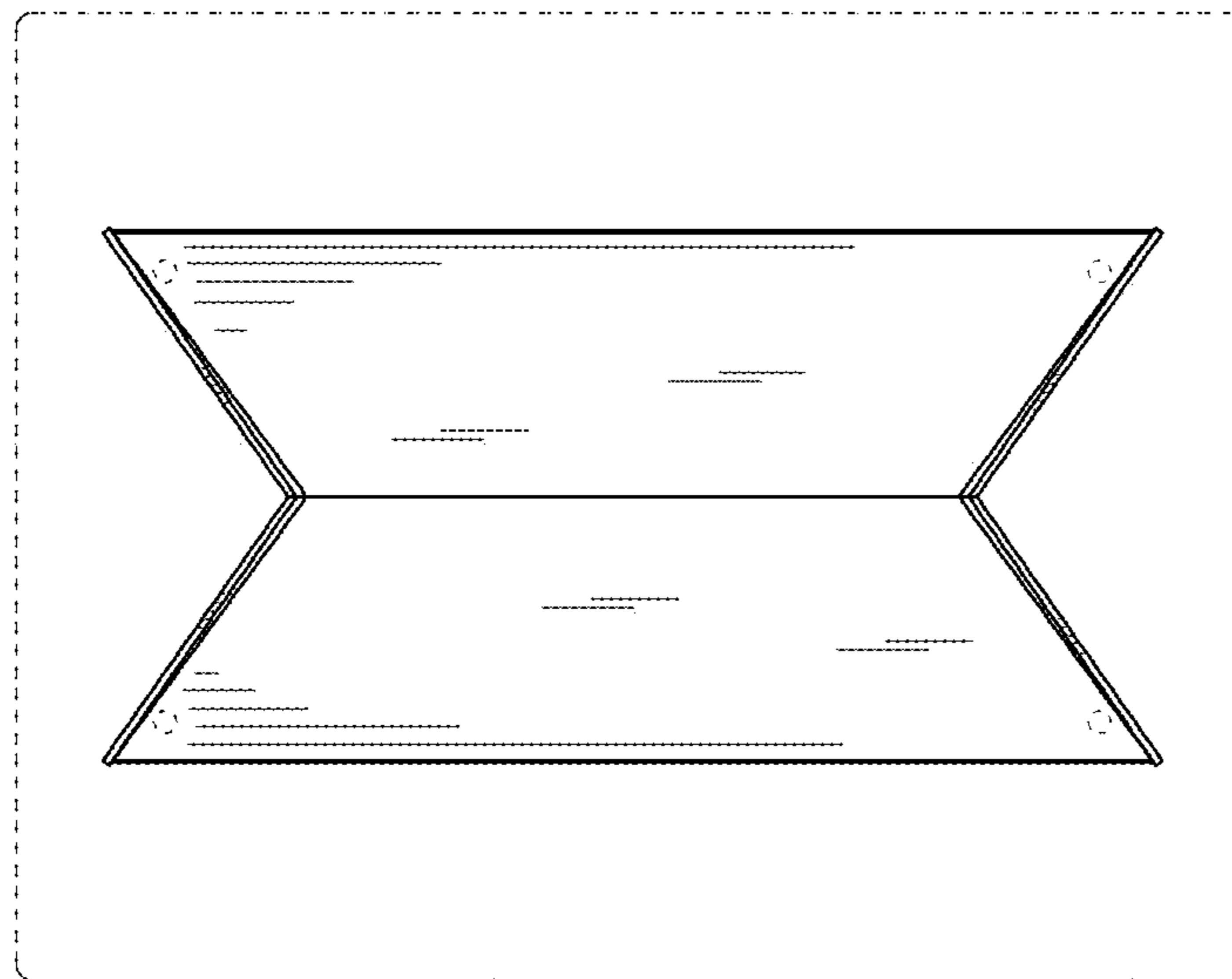


FIG. 8





**FIG. 9**



**FIG. 10**

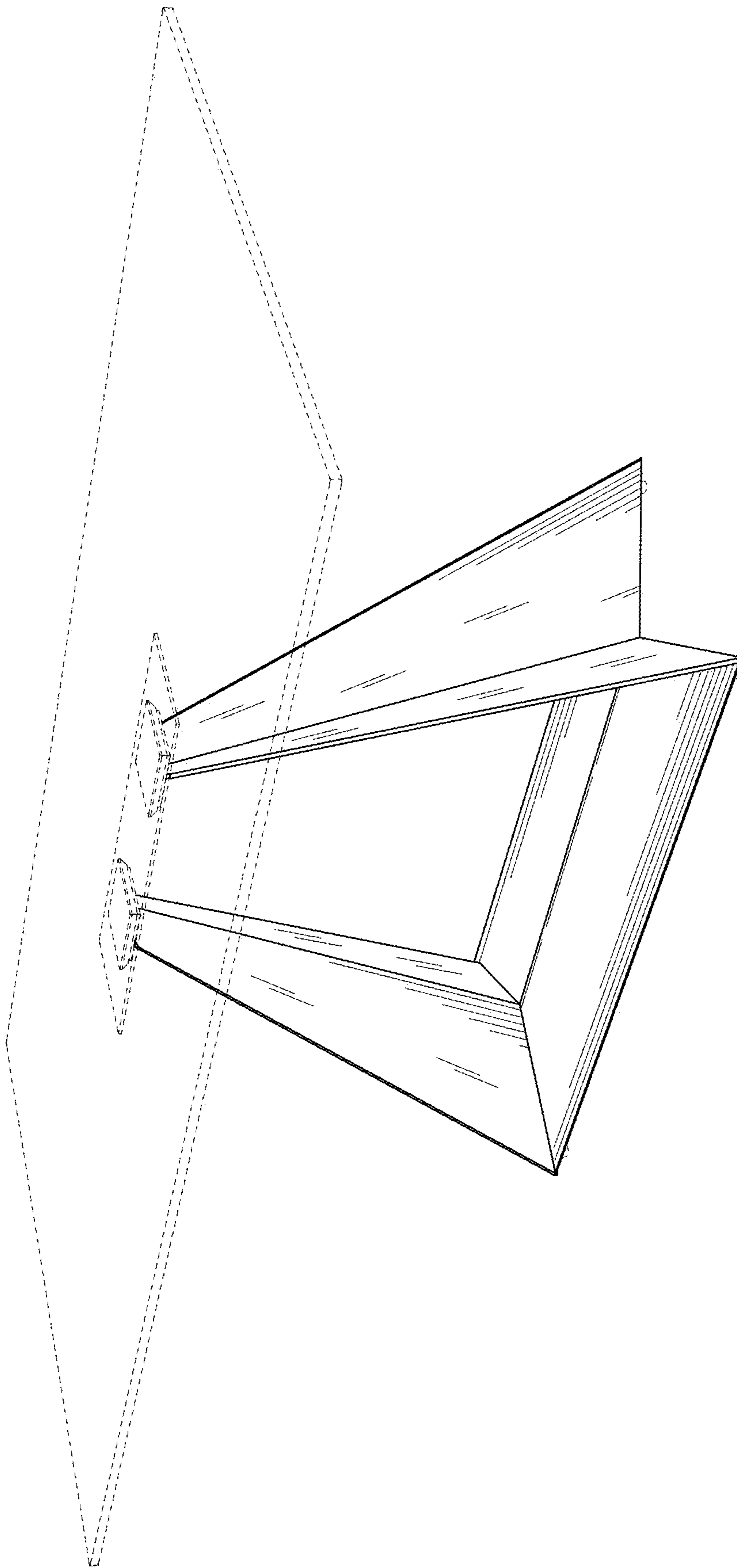


FIG. 11



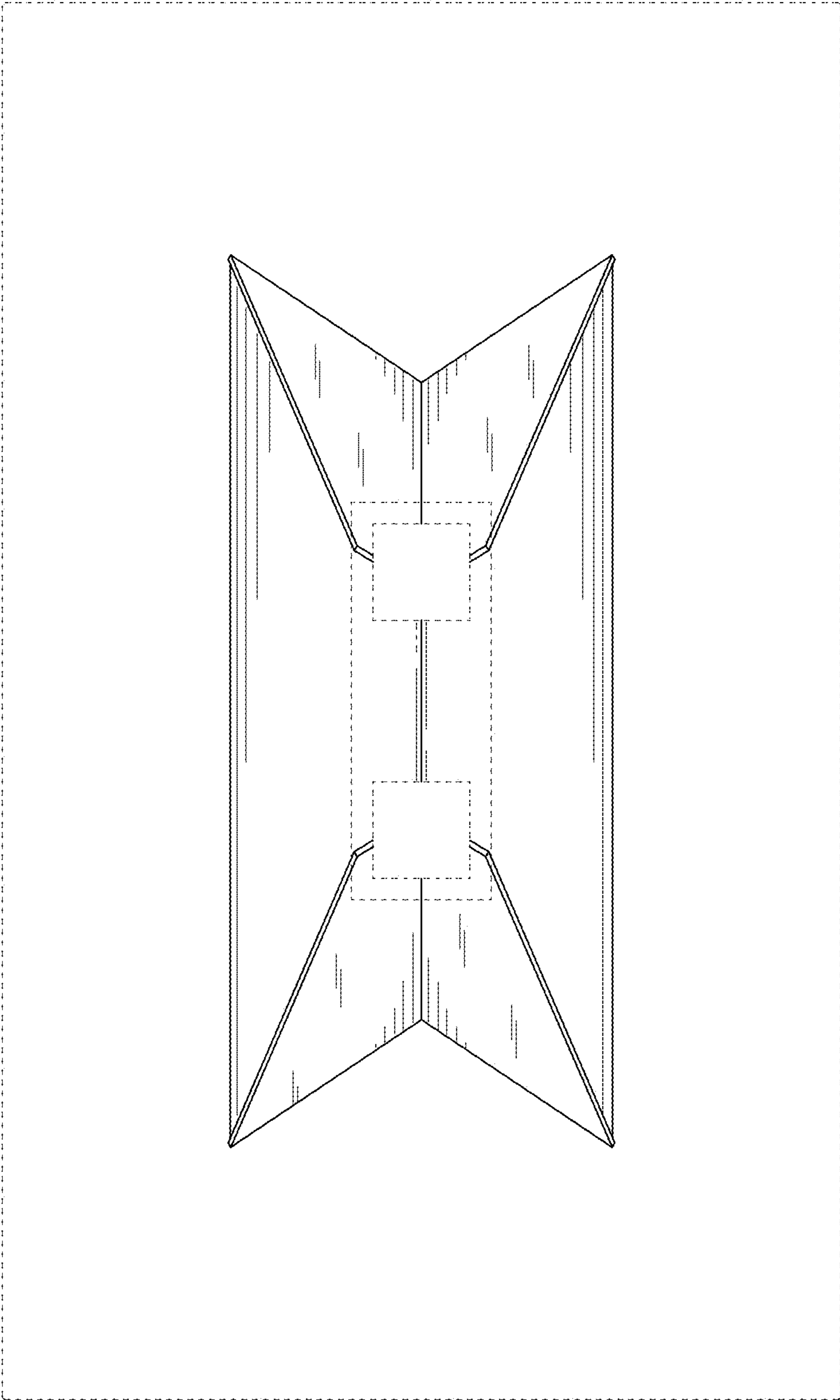


FIG. 12

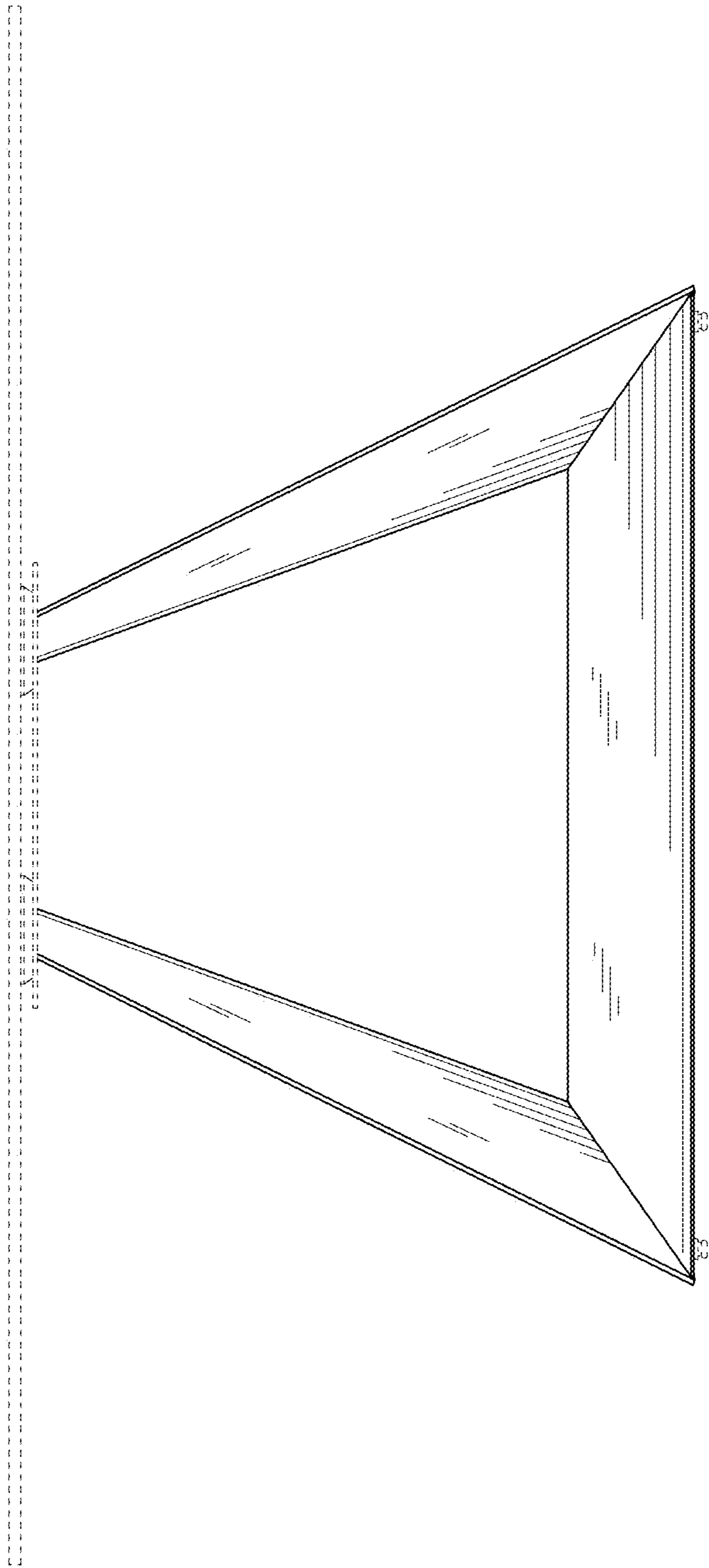
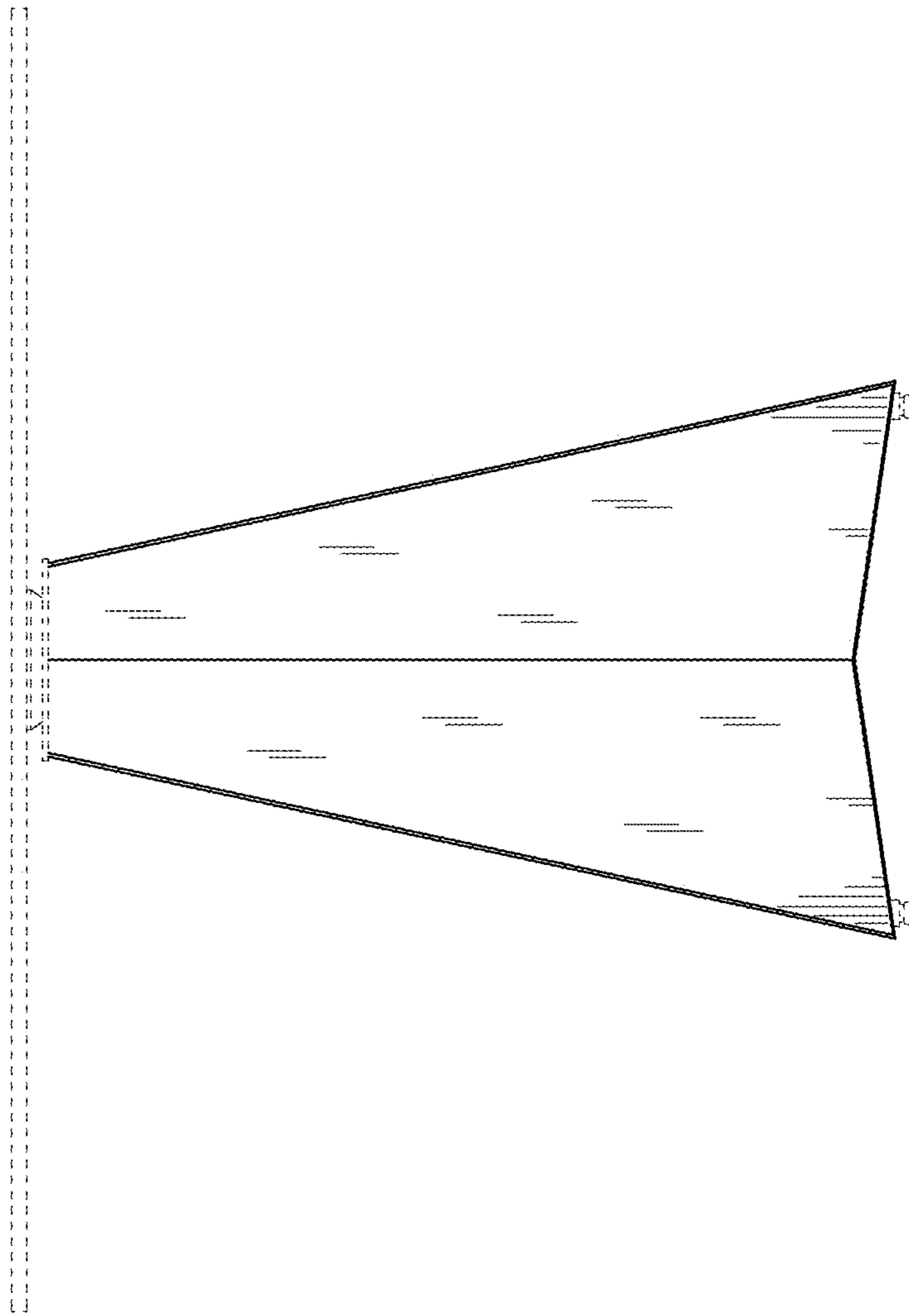


FIG. 13



**FIG. 14**

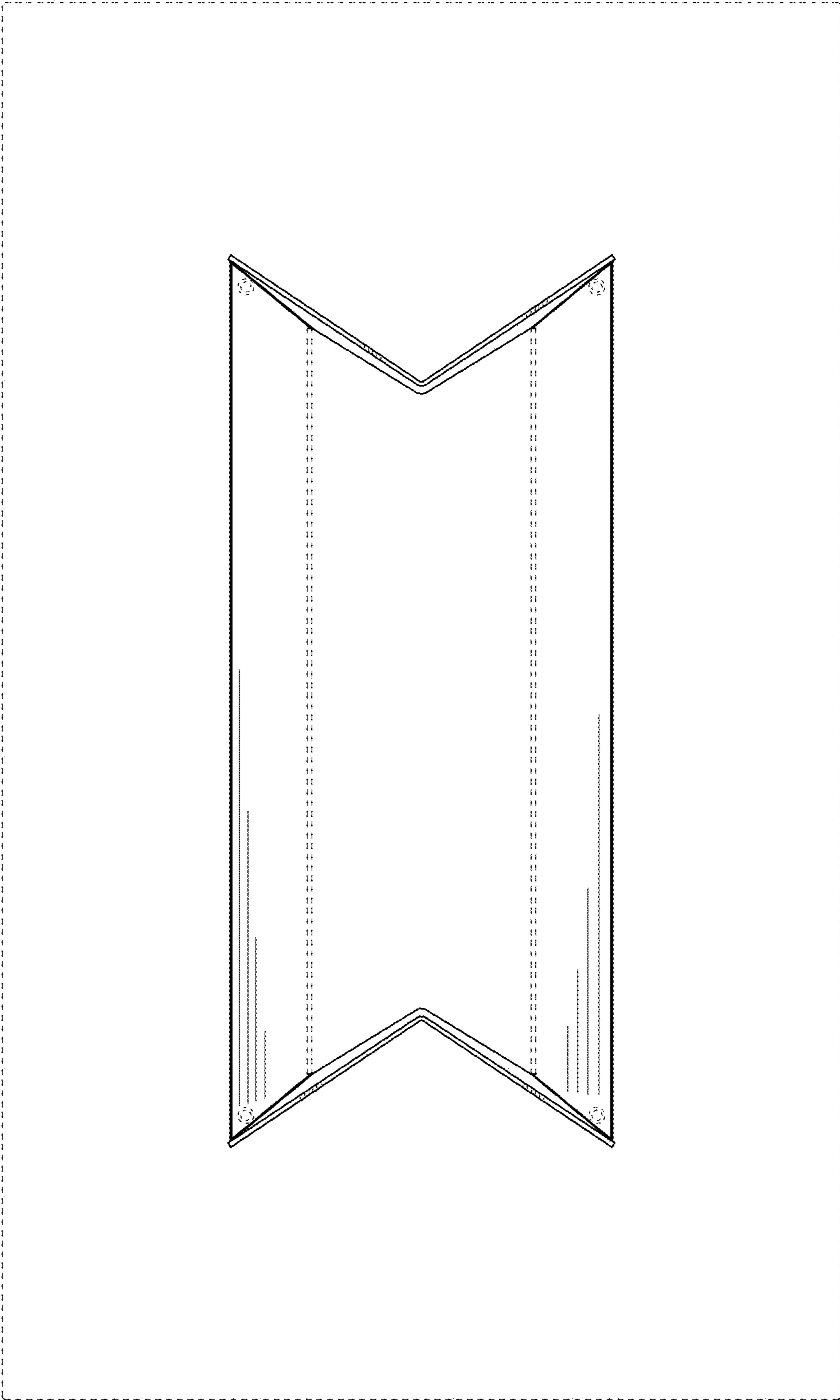


FIG. 15