



US00D915108S

(12) **United States Design Patent** (10) **Patent No.:** **US D915,108 S**
Chipperfield (45) **Date of Patent:** **** Apr. 6, 2021**

(54) **TABLE**

(71) Applicant: **E15 Design und Distributions GmbH,**
Frankfurt am Main (DE)

(72) Inventor: **David Chipperfield,** London (GB)

(**) Term: **15 Years**

(21) Appl. No.: **35/507,306**

(22) Filed: **Jul. 12, 2019**

(80) **Hague Agreement Data**

Int. Filing Date: **Jul. 12, 2019**

Int. Reg. No.: **DM/202326**

Int. Reg. Date: **Jul. 12, 2019**

Int. Reg. Pub. Date: **Aug. 23, 2019**

(51) **LOC (13) Cl.** **06-03**

(52) **U.S. Cl.**
USPC **D6/691.1**

(58) **Field of Classification Search**
USPC D6/349, 641-644, 656, 656.13, 656.14,
D6/656.19, 685, 686, 691, 691.1-691.9
(Continued)

(56) **References Cited**

U.S. PATENT DOCUMENTS

5,323,695 A * 6/1994 Borgman A47B 9/00
108/147
D372,812 S * 8/1996 Graziano D6/656.16
(Continued)

Primary Examiner — Mary Ann Calabrese

(57) **CLAIM**

The ornamental design for a table, as shown and described.

DESCRIPTION

1.-8. Table

The patent or application file contains at least one drawing executed in color. Copies of this patent or patent application

publication with color drawing(s) will be provided by the Office upon request and payment of the necessary fee.

1.1: Perspective

1.2: Top

1.3: Front

1.4: Back

1.5: Right

1.6: Left

1.7: Bottom

2.1: Perspective

2.2: Top

2.3: Front

2.4: Back

2.5: Right

2.6: Left

2.7: Bottom

3.1: Perspective

3.2: Top

3.3: Front

3.4: Back

3.5: Right

3.6: Left

3.7: Bottom

4.1: Perspective

4.2: Top

4.3: Front

4.4: Back

4.5: Right

4.6: Left

4.7: Bottom

5.1: Perspective

5.2: Top

5.3: Front

5.4: Back

5.5: Right

5.6: Left

5.7: Bottom

6.1: Perspective

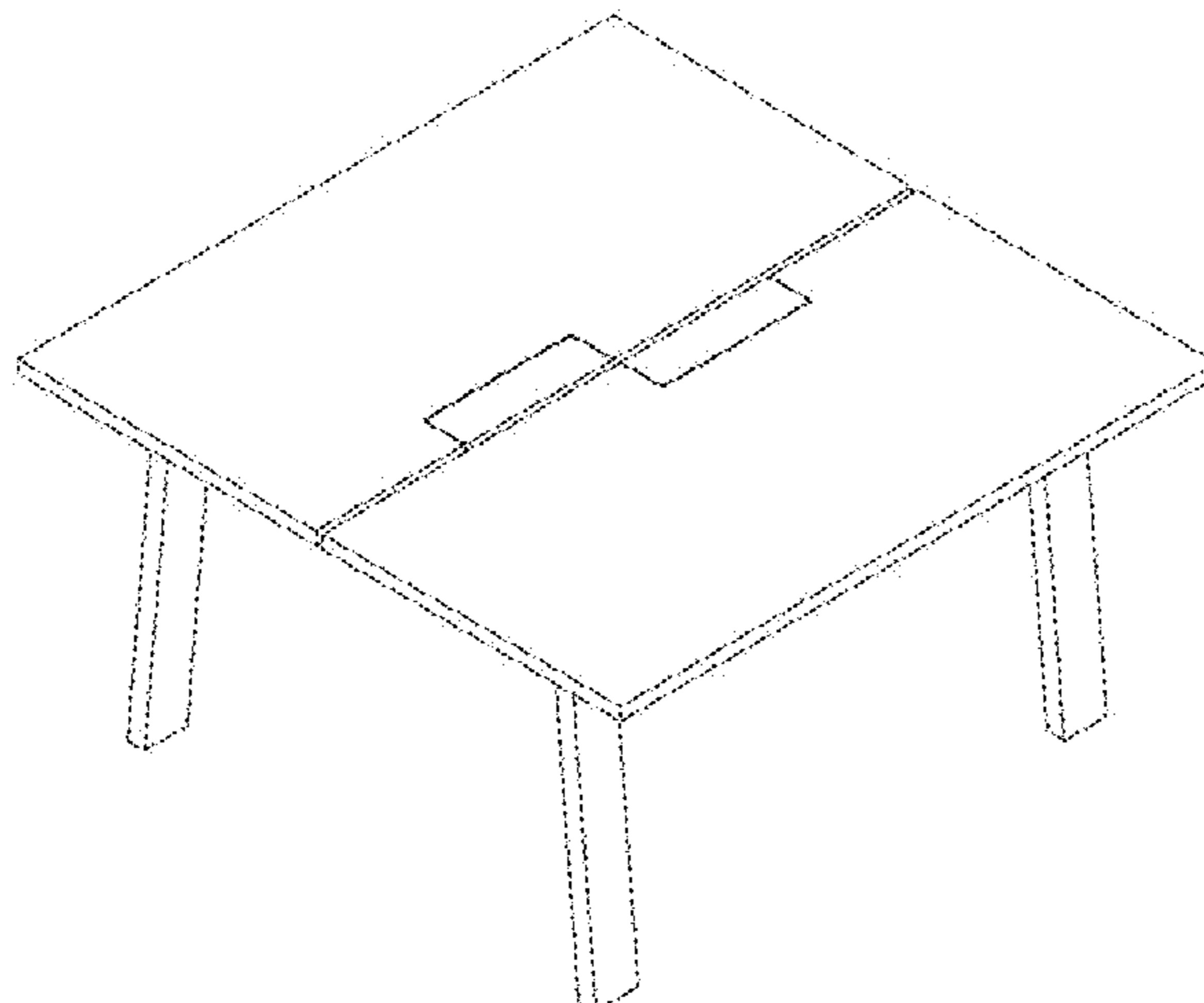
6.2: Top

6.3: Front

6.4: Back

6.5: Right

(Continued)



6.6: Left 2087/004; A47B 2200/0001; A47B
6.7: Bottom 2200/001; A47B 2200/0011; A47B
7.1: Perspective 2200/002

7.2: Top See application file for complete search history.
7.3: Front
7.4: Back
7.5: Right

7.6: Left
7.7: Bottom

8.1: Perspective
8.2: Top

8.3: Front
8.4: Back

8.5: Right
8.6: Left
8.7: Bottom

1 Claim, 56 Drawing Sheets
(28 of 56 Drawing Sheet(s) Filed in Color)

(58) **Field of Classification Search**

CPC .. A47B 7/00; A47B 9/00; A47B 13/00; A47B
13/02; A47B 13/04; A47B 13/06; A47B
13/08; A47B 13/012; A47B 21/00; A47B
21/02; A47B 21/06; A47B 87/002; A47B

(56)

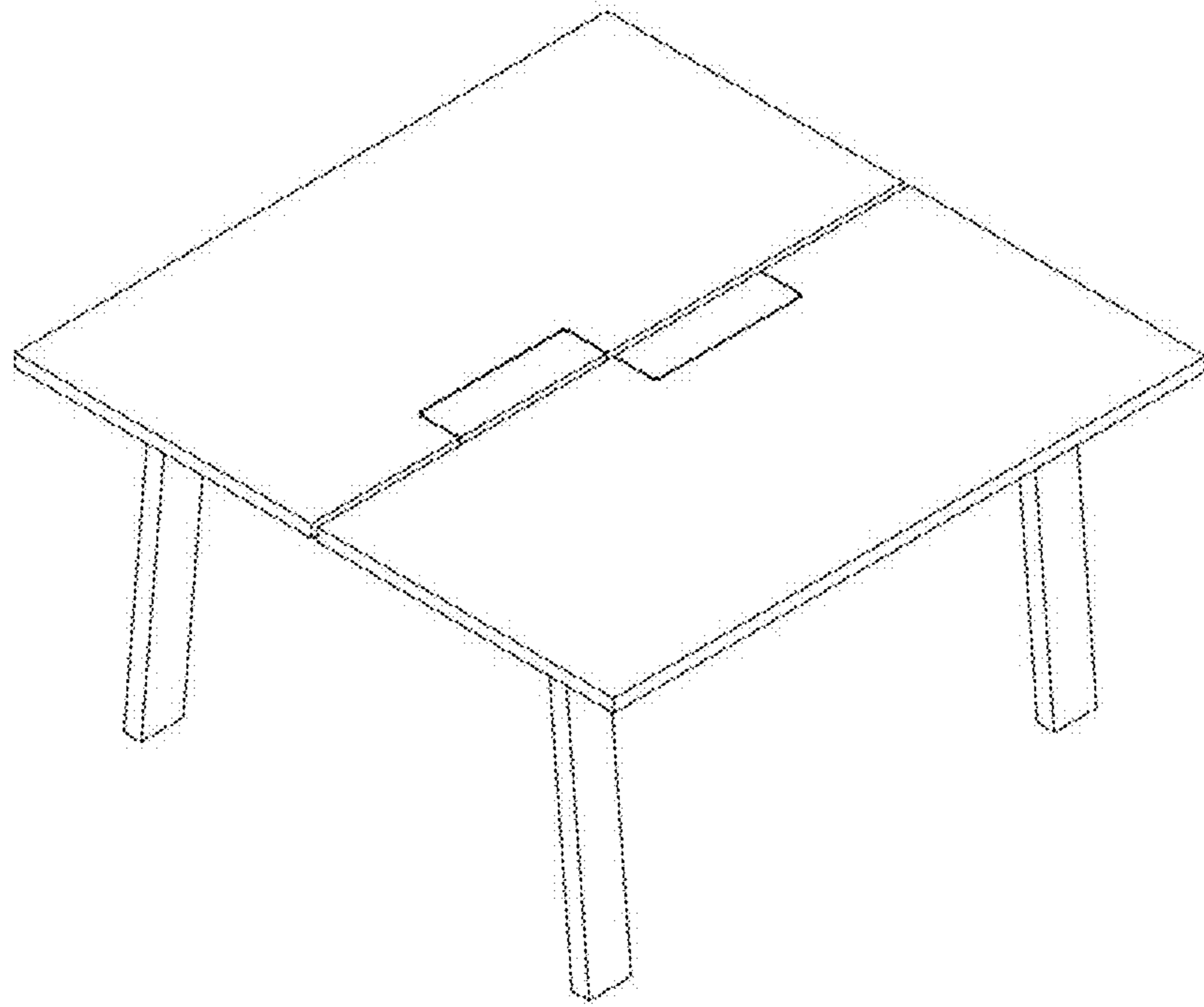
References Cited

U.S. PATENT DOCUMENTS

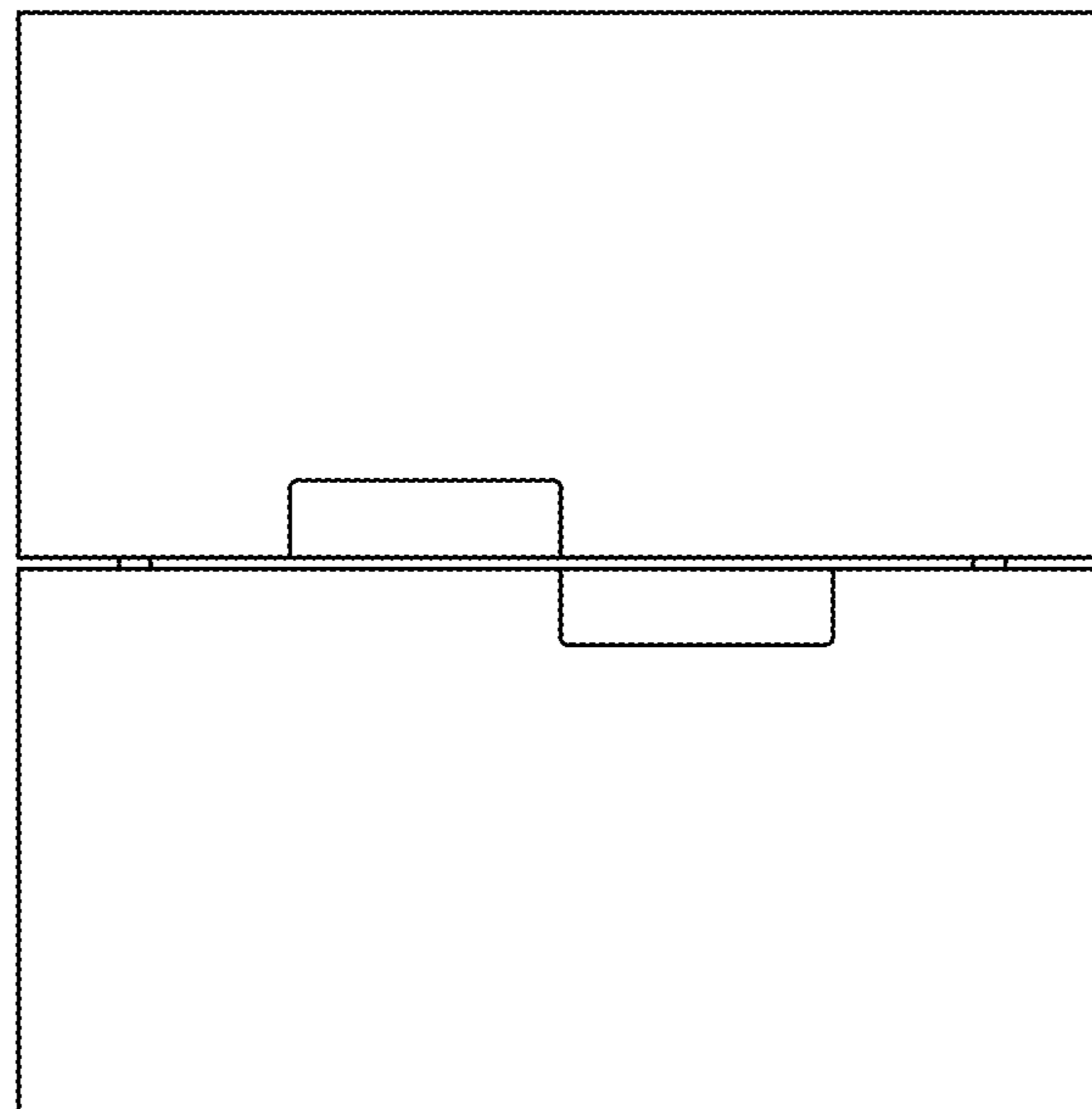
D640,073 S * 6/2011 Cortivo A47B 21/02
D6/656
D674,625 S * 1/2013 Mecherle A47B 13/02
D6/691
D719,379 S * 12/2014 Tsuchiyama A47B 3/06
D6/656
D863,831 S * 10/2019 Citterio A47B 87/002
D6/643
2008/0276841 A1 * 11/2008 Brauning A47B 13/02
108/154
2009/0042428 A1 * 2/2009 Henriott A47B 21/06
439/215
2017/0086581 A1 * 3/2017 Gammon A47B 87/002
2019/0045923 A1 * 2/2019 Lee A47B 87/002
2019/0136891 A1 * 5/2019 Hjelm A47B 9/20
2019/0246791 A1 * 8/2019 Lundberg A47B 3/06
2019/0328130 A1 * 10/2019 Egger A47B 21/02
2020/0128951 A1 * 4/2020 Anderson A47B 21/02

* cited by examiner

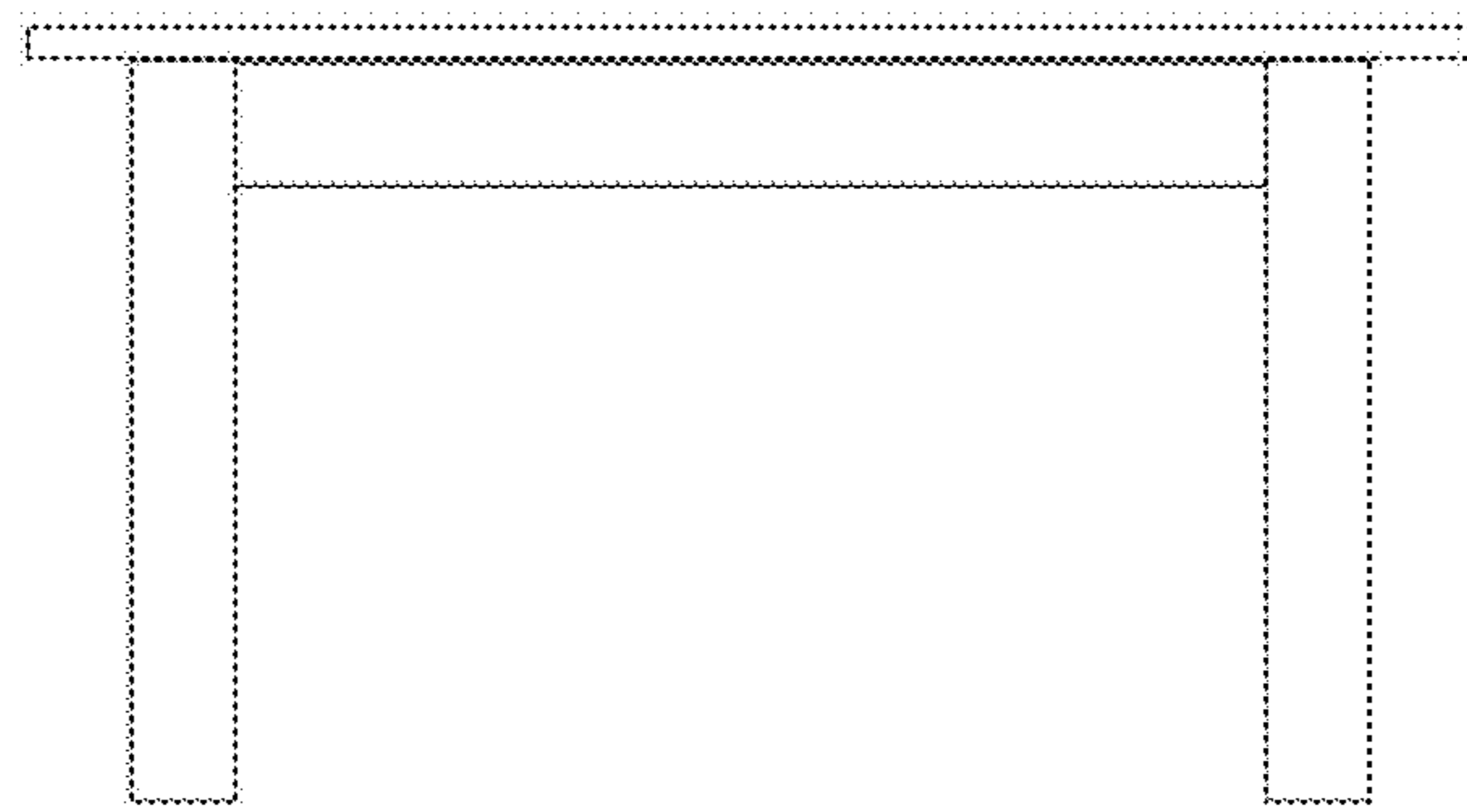
1.1



1.2



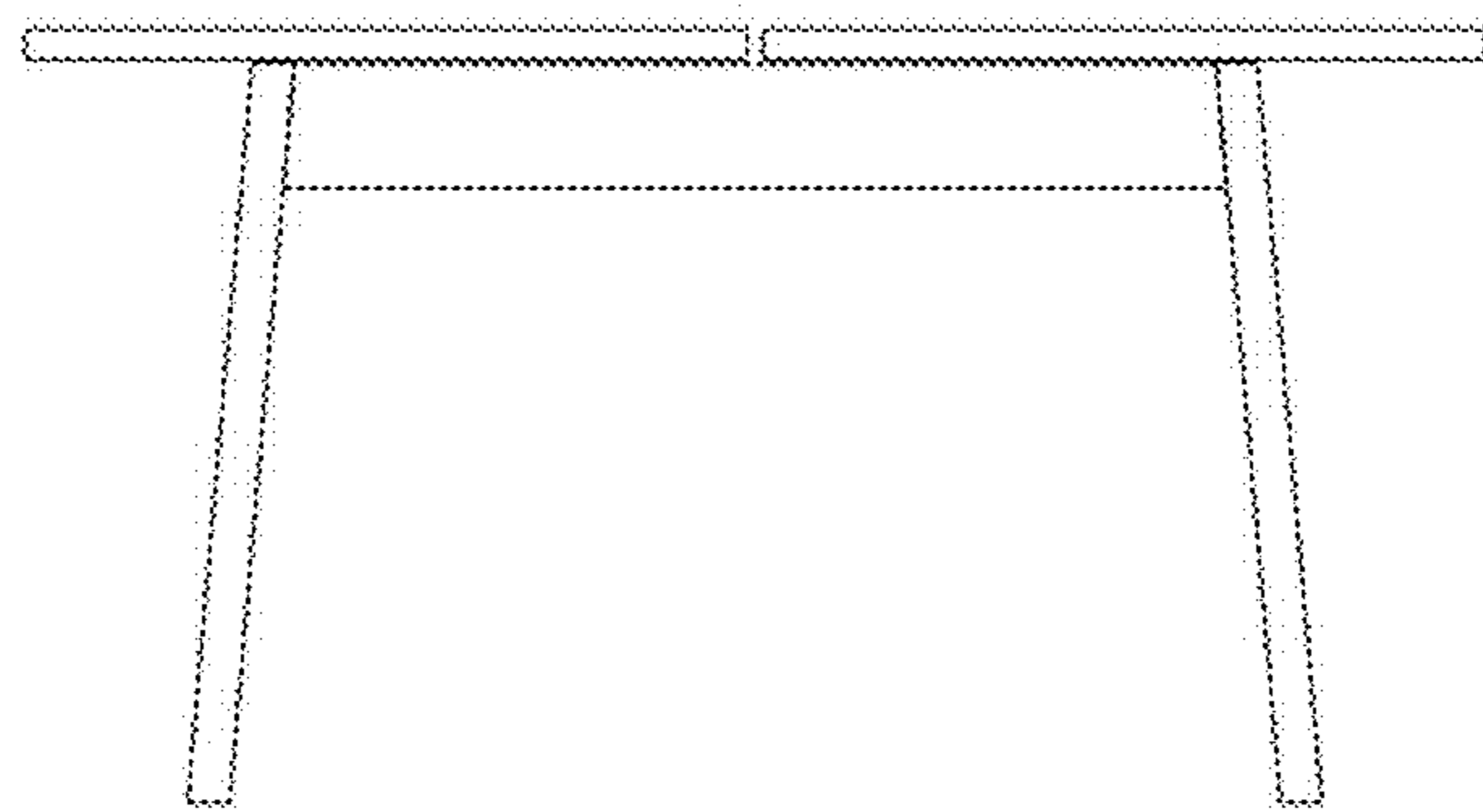
1.3



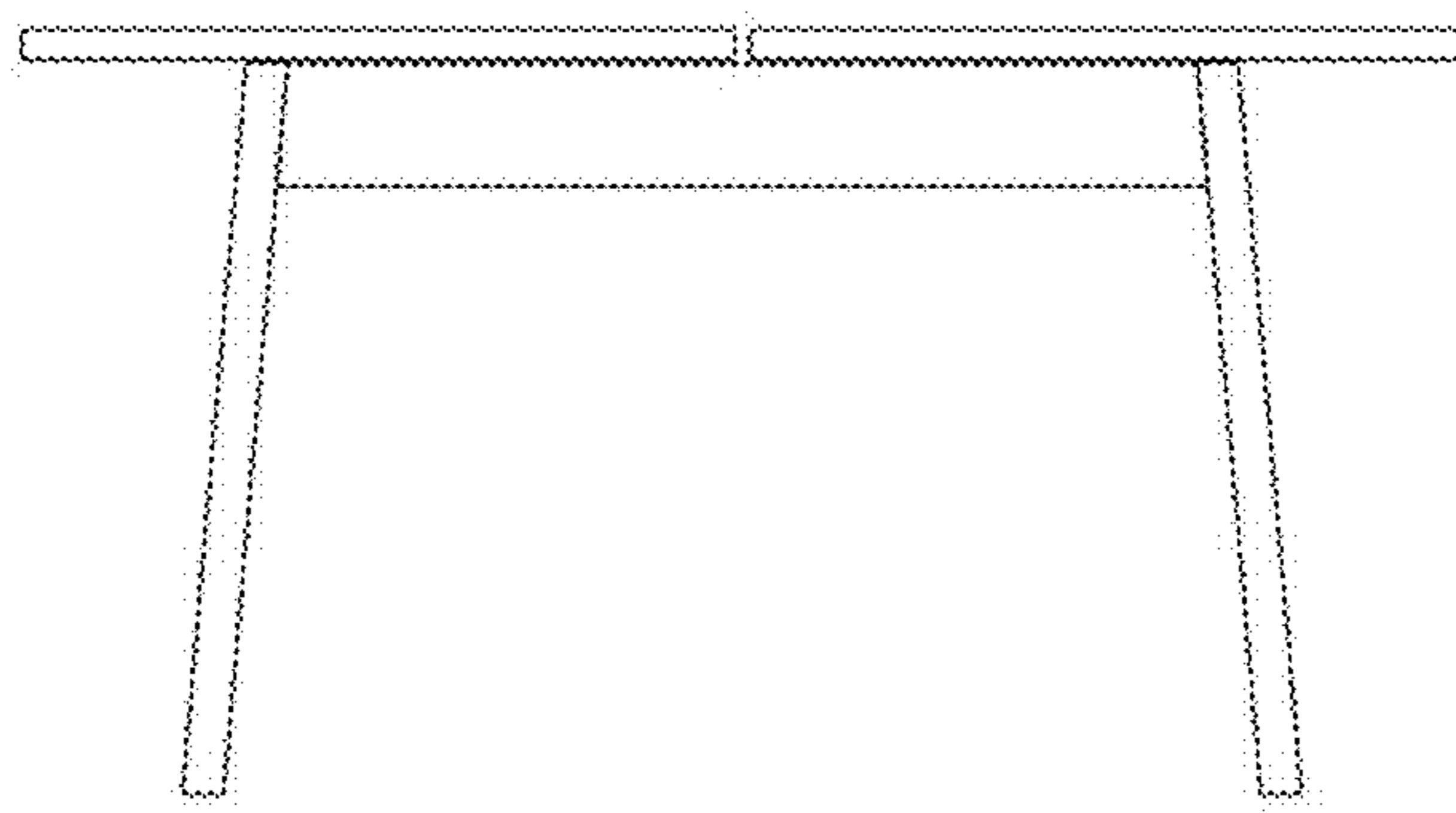
1.4



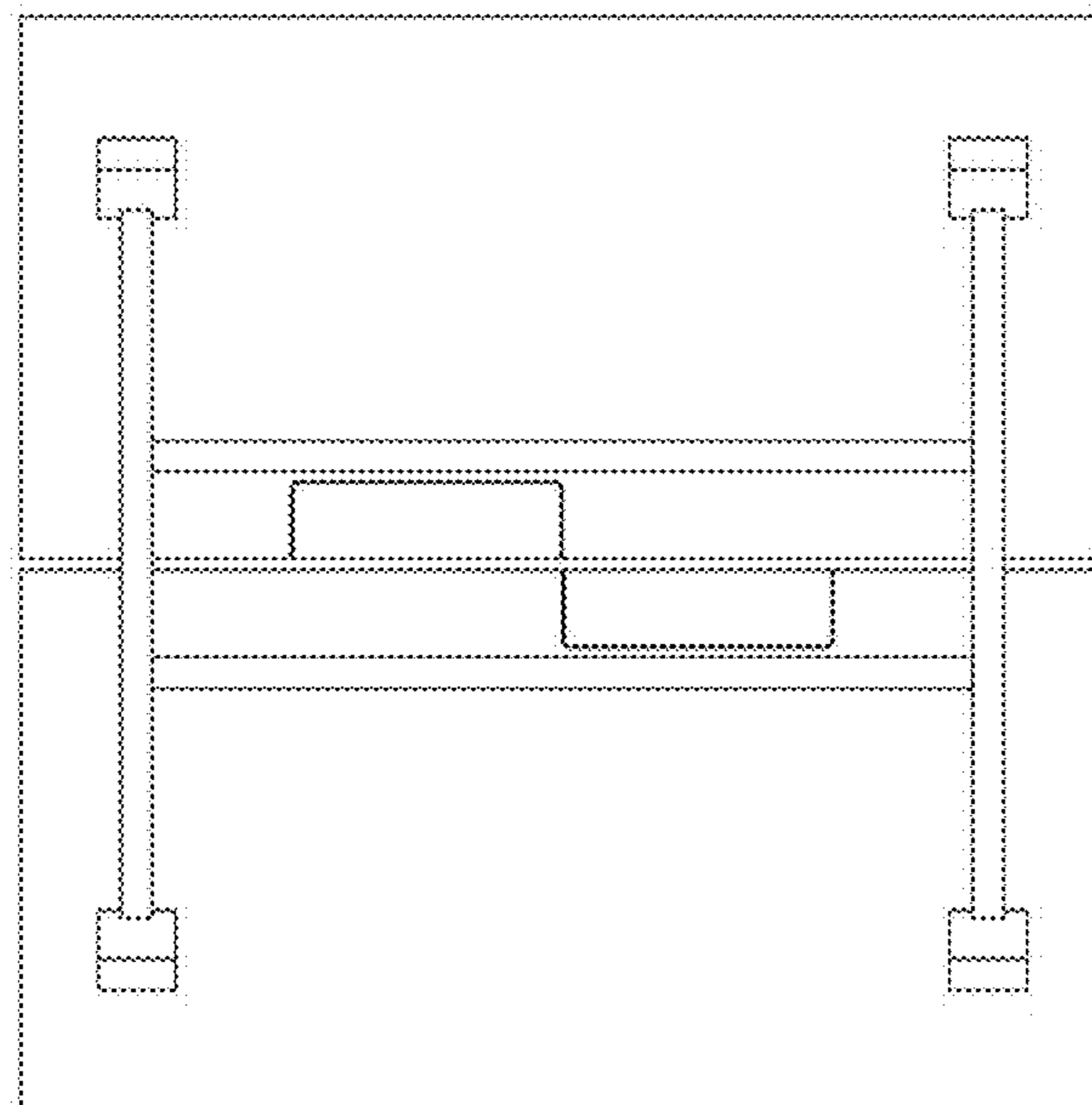
1.5



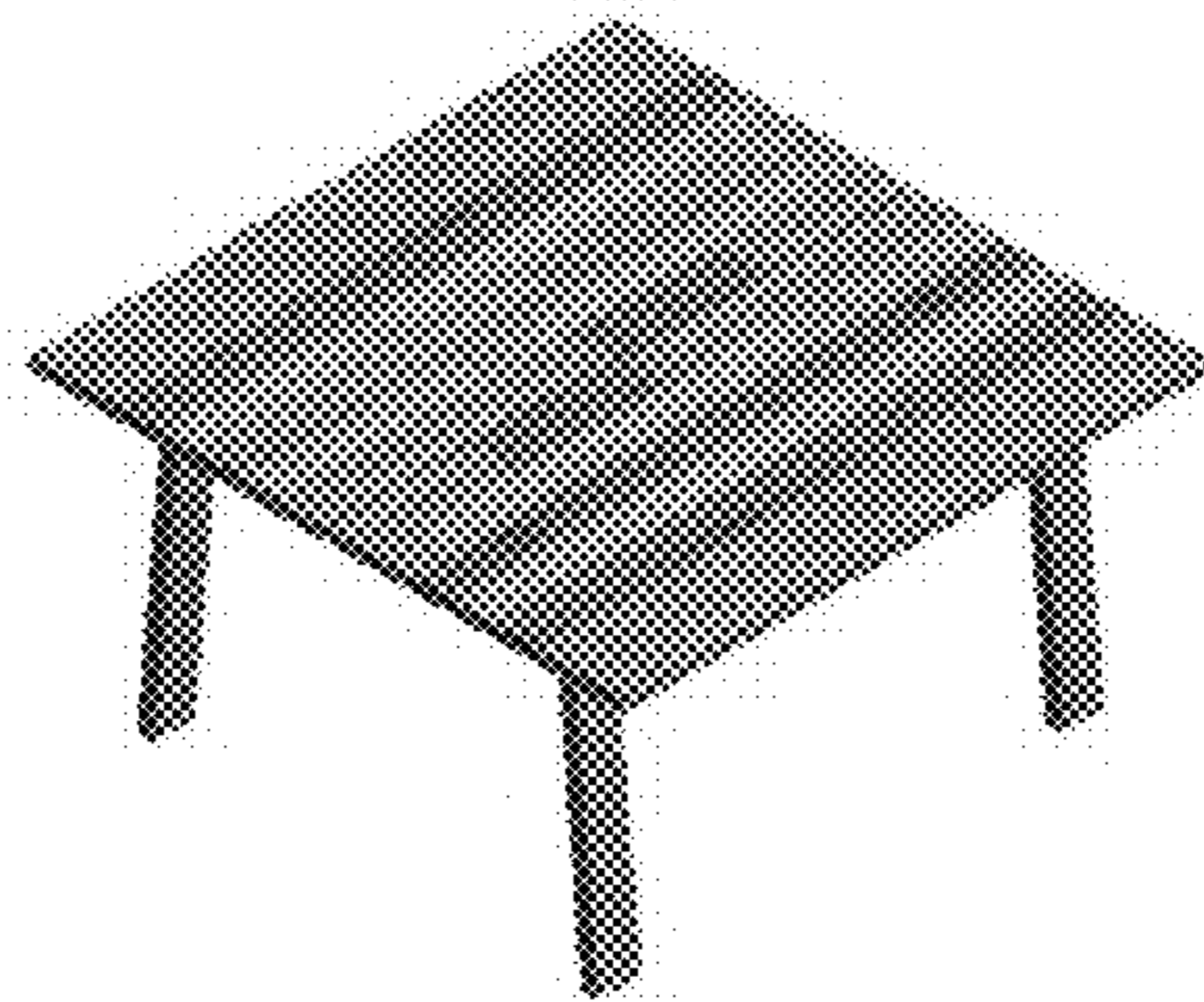
1.6



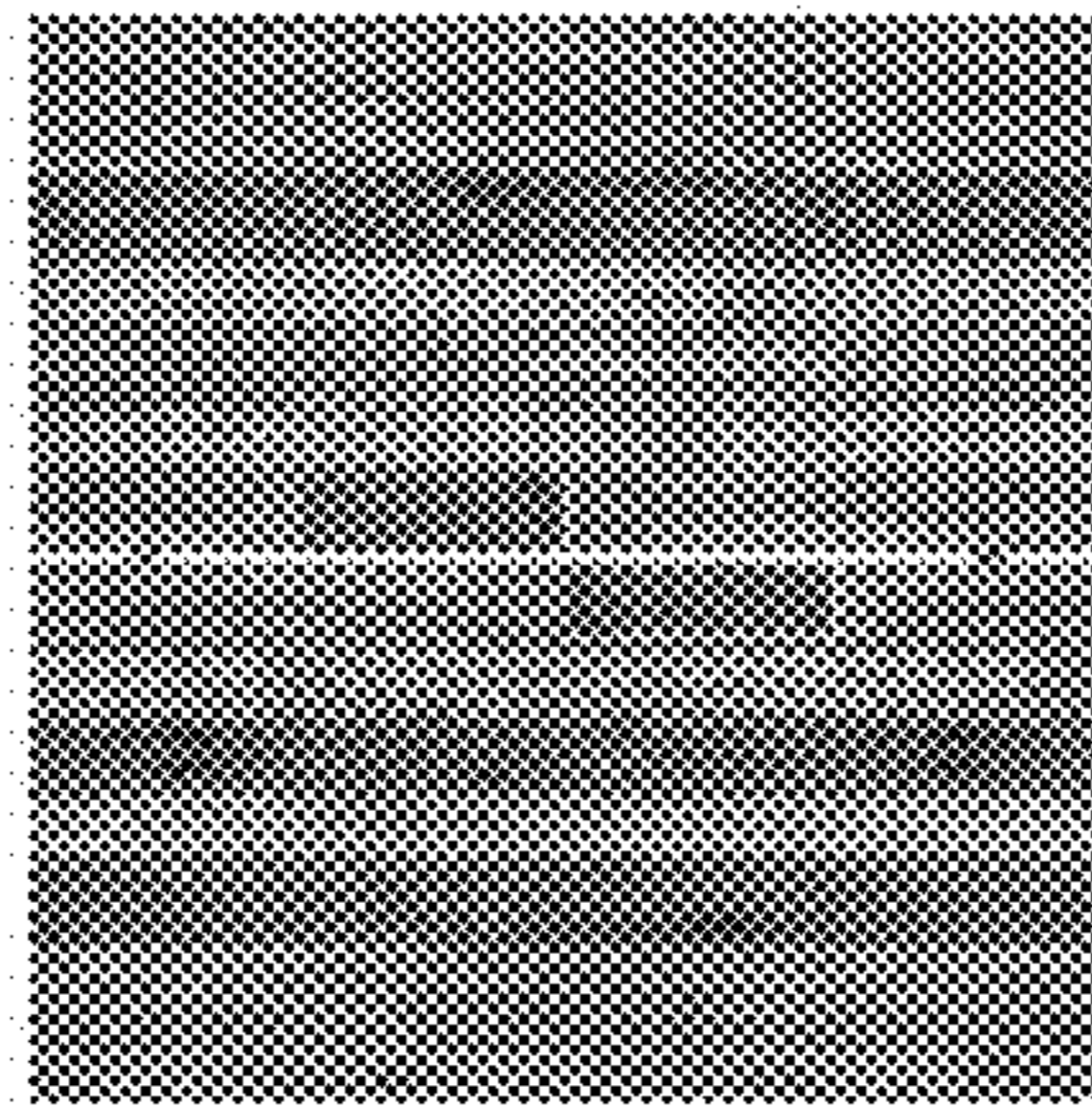
1.7



2.1



2.2



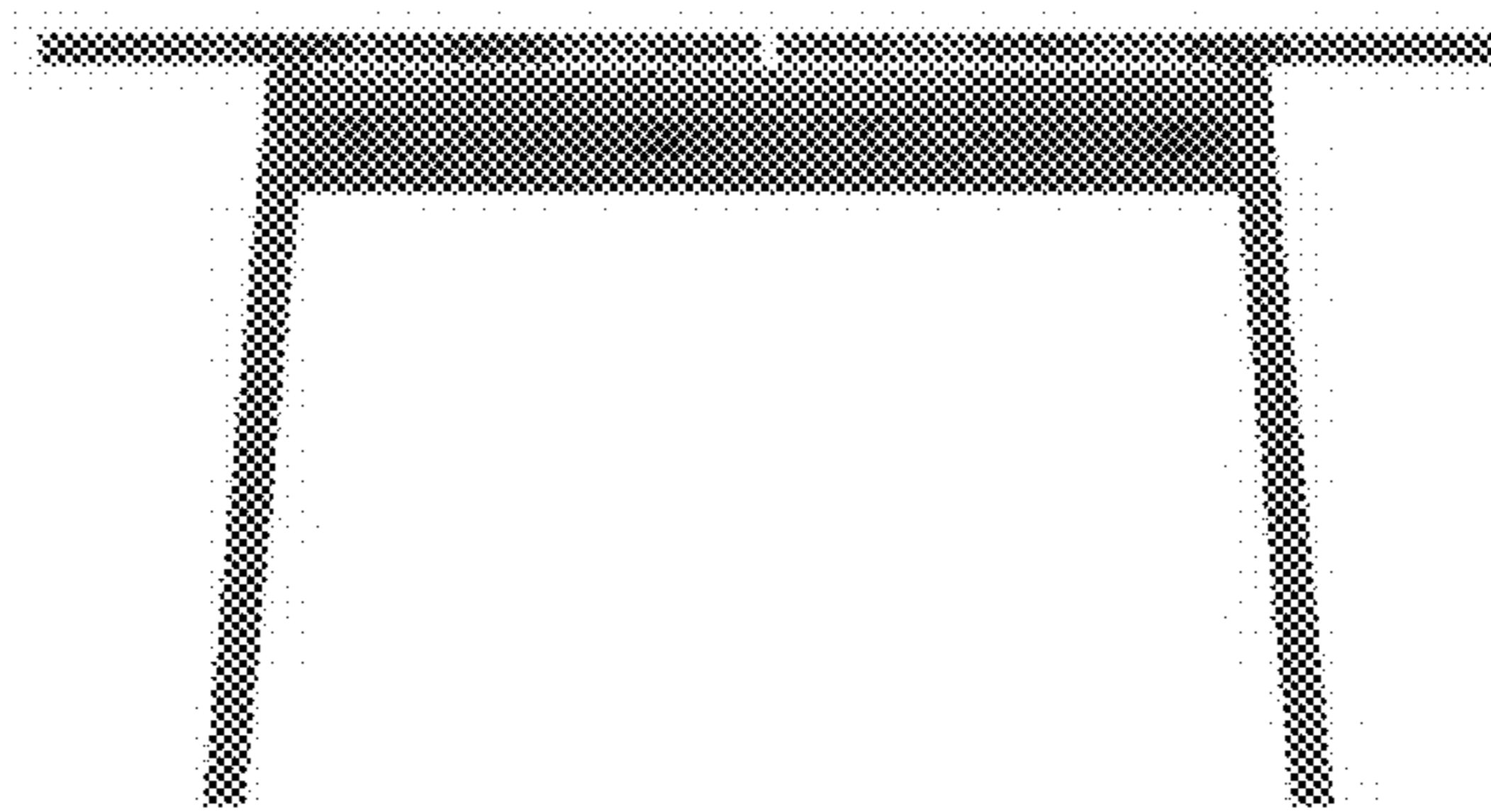
2.3



2.4



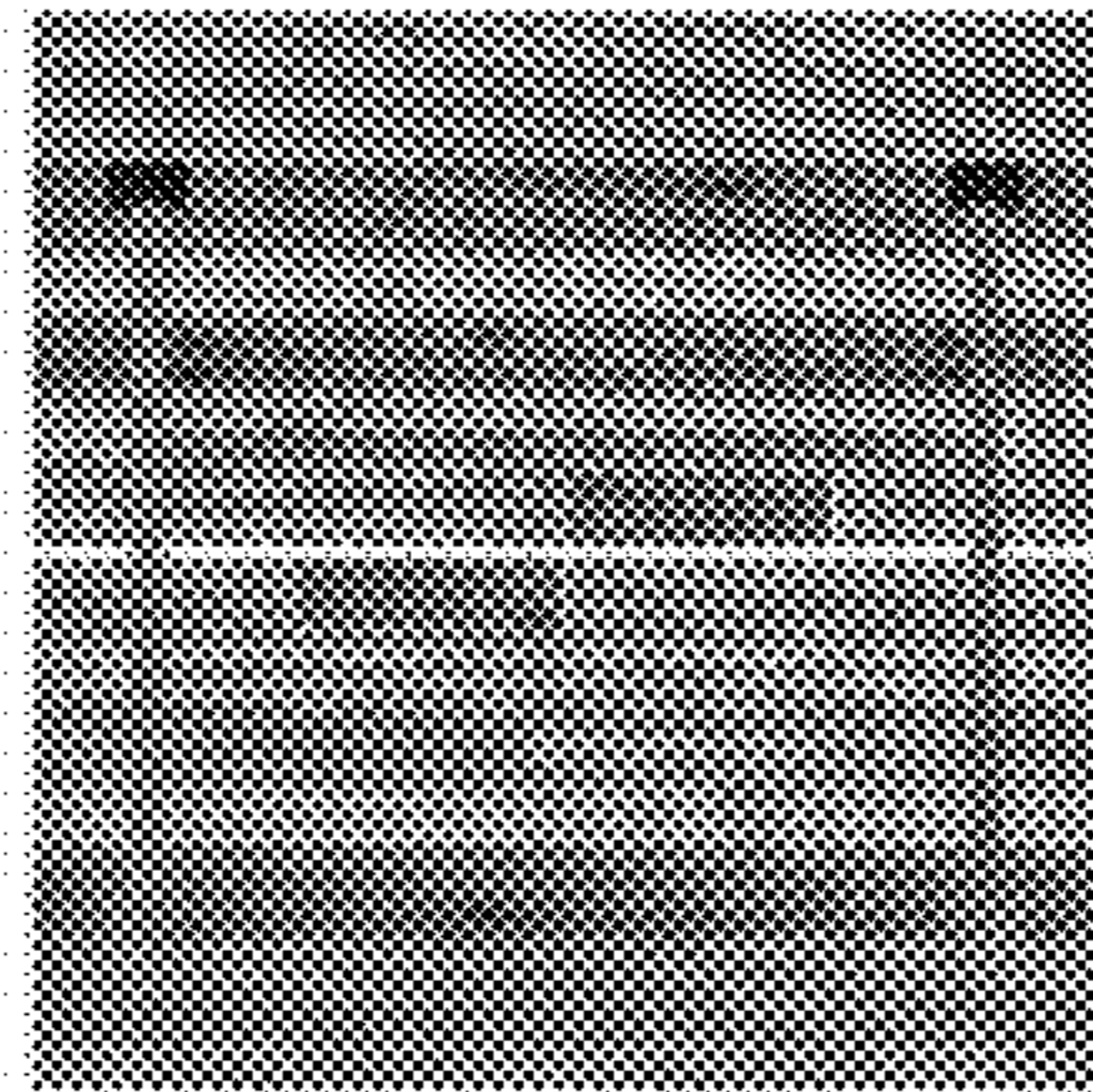
2.5



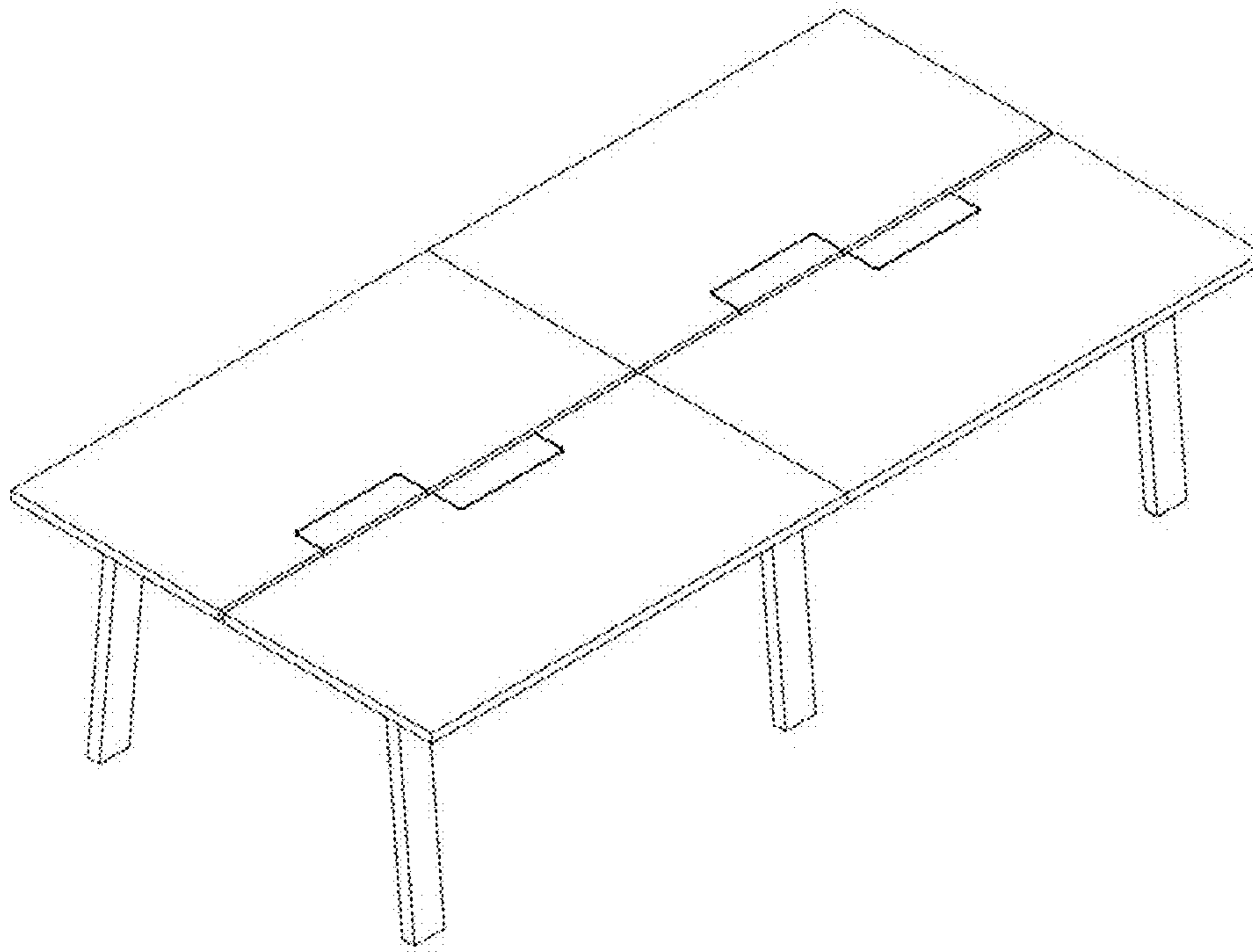
2.6



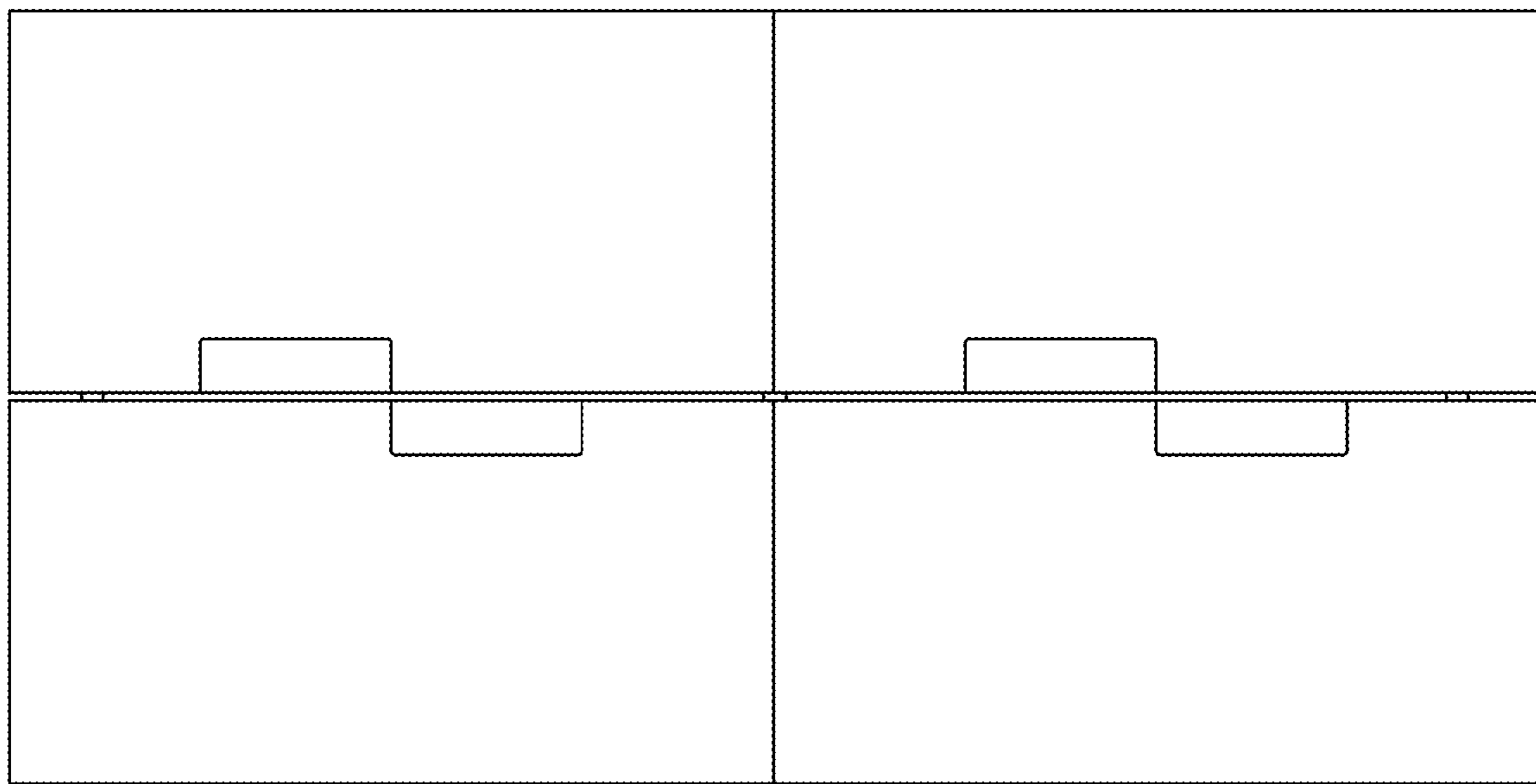
2.7



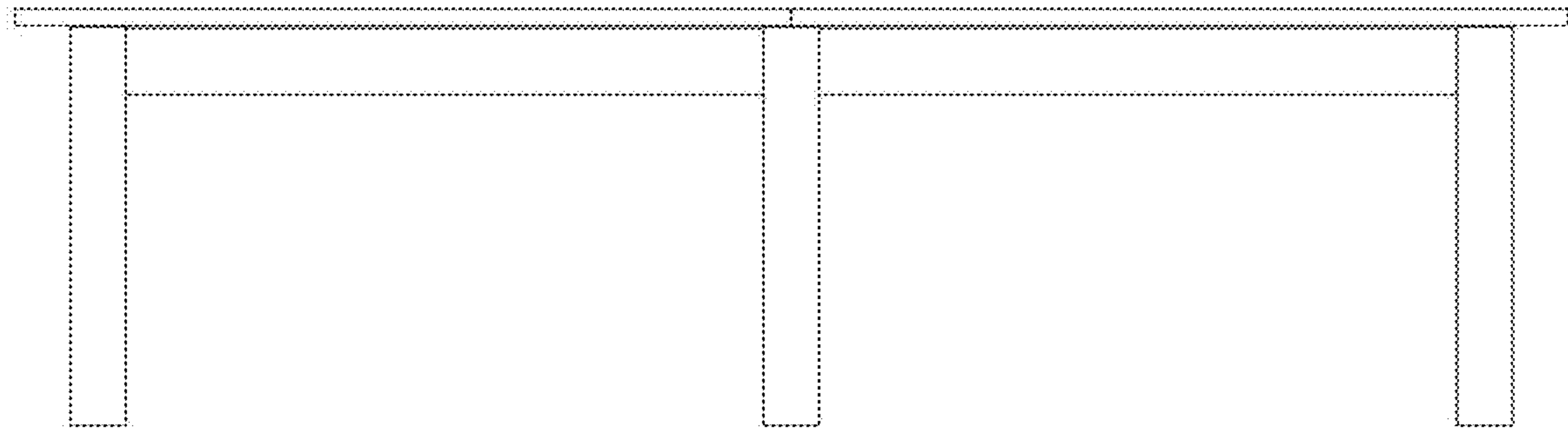
3.1



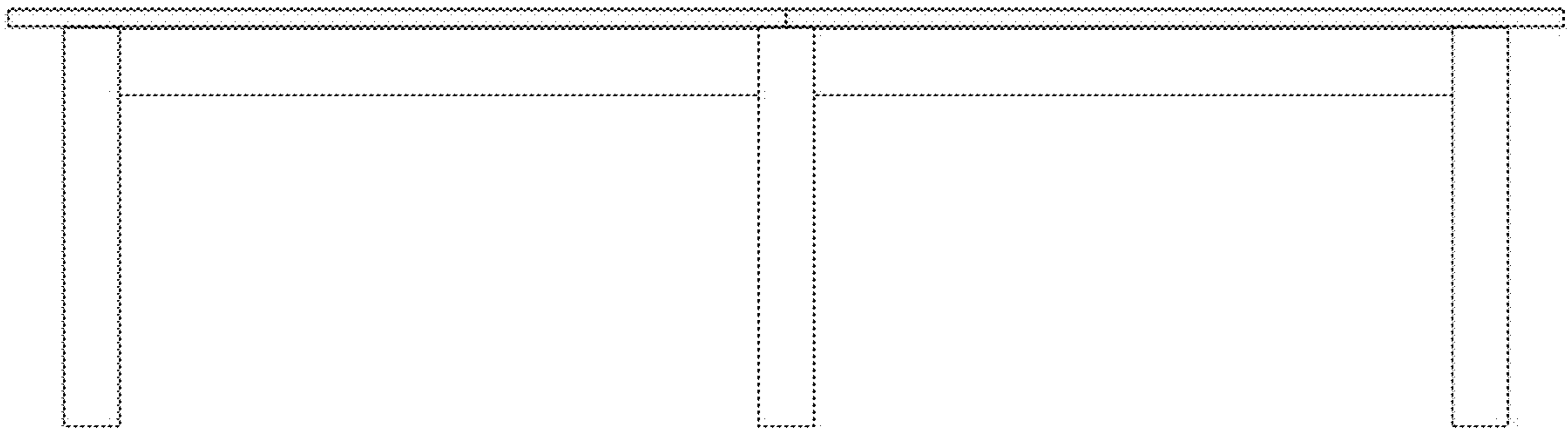
3.2



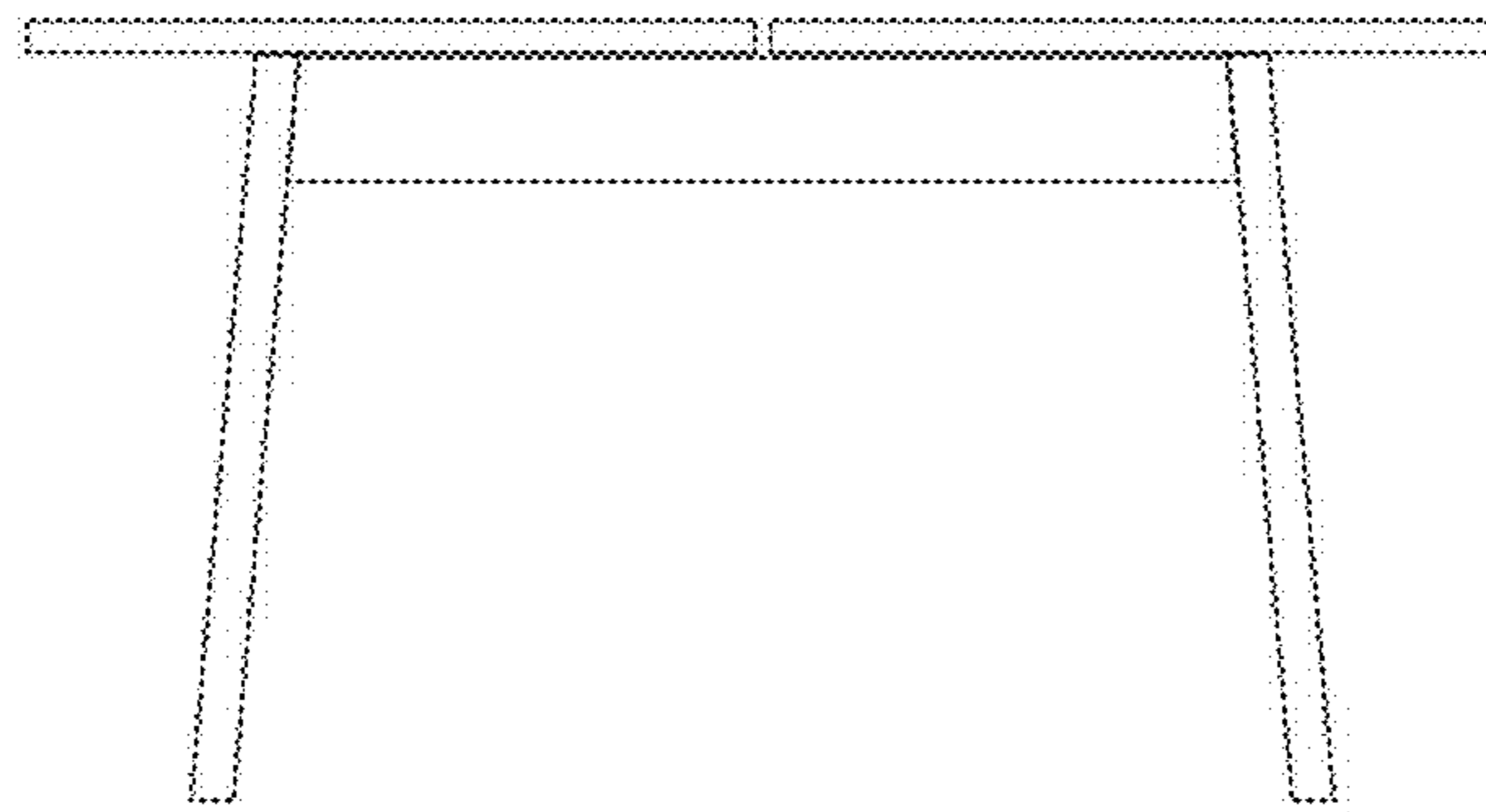
3.3



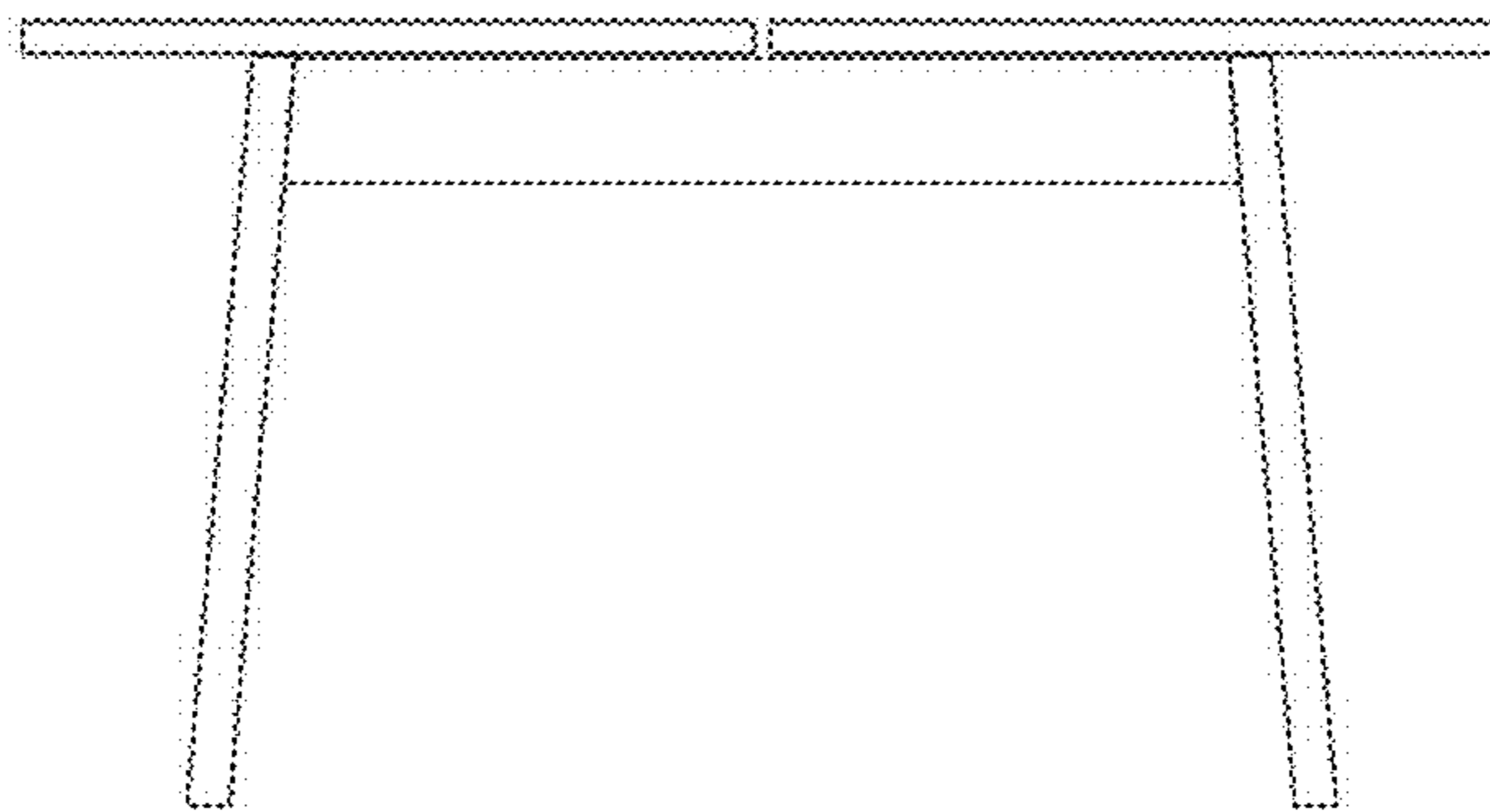
3.4



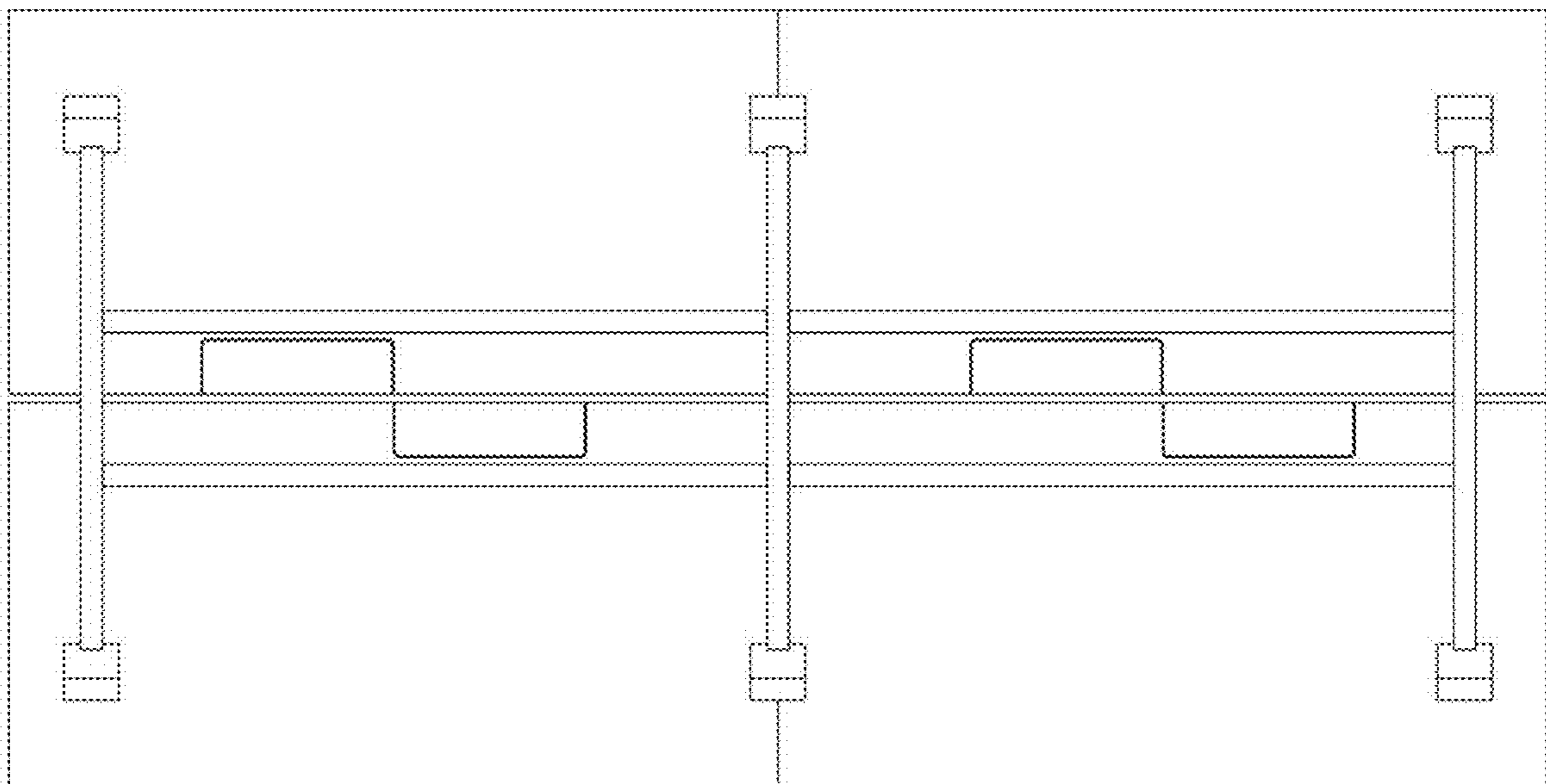
3.5



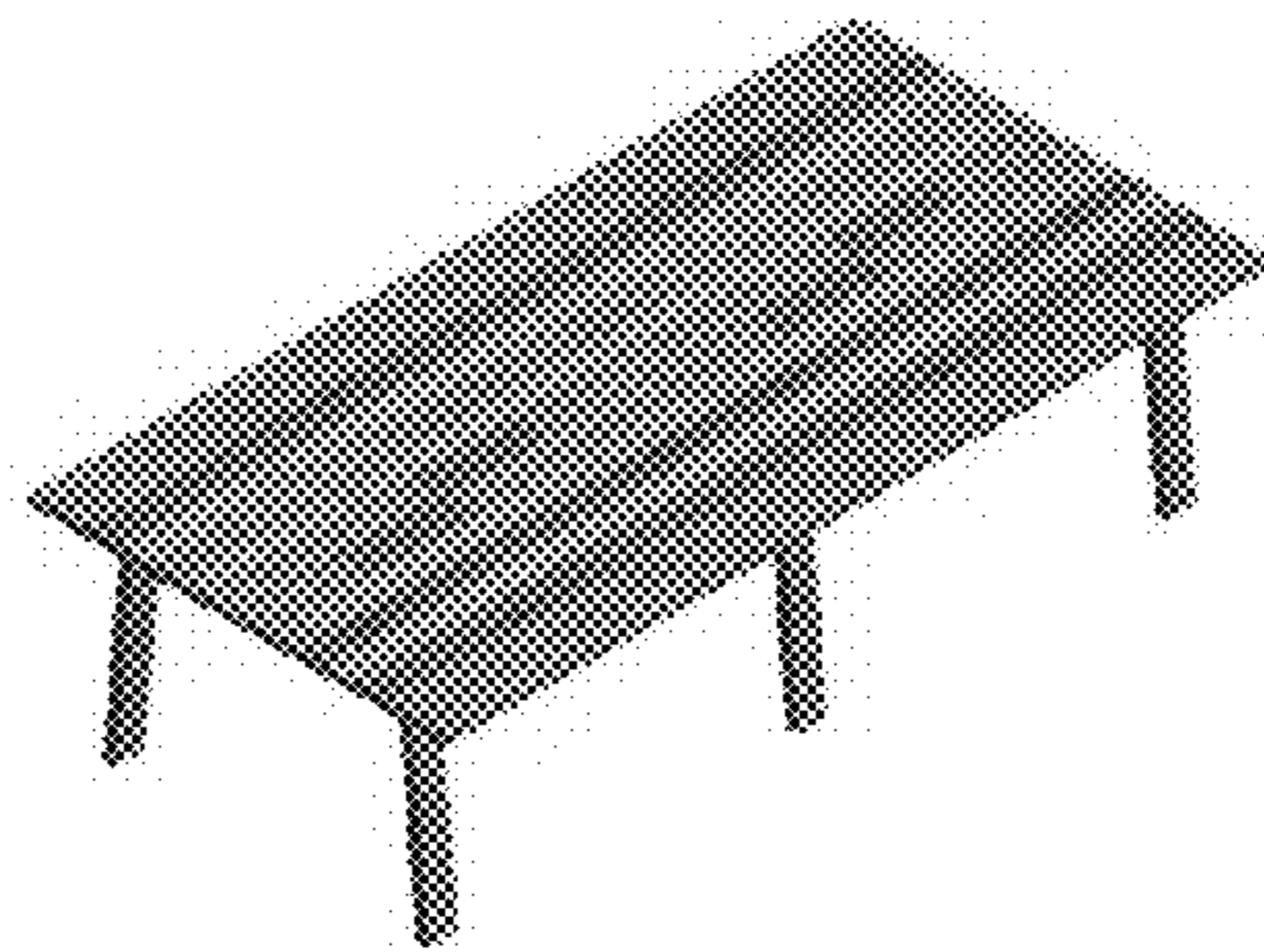
3.6



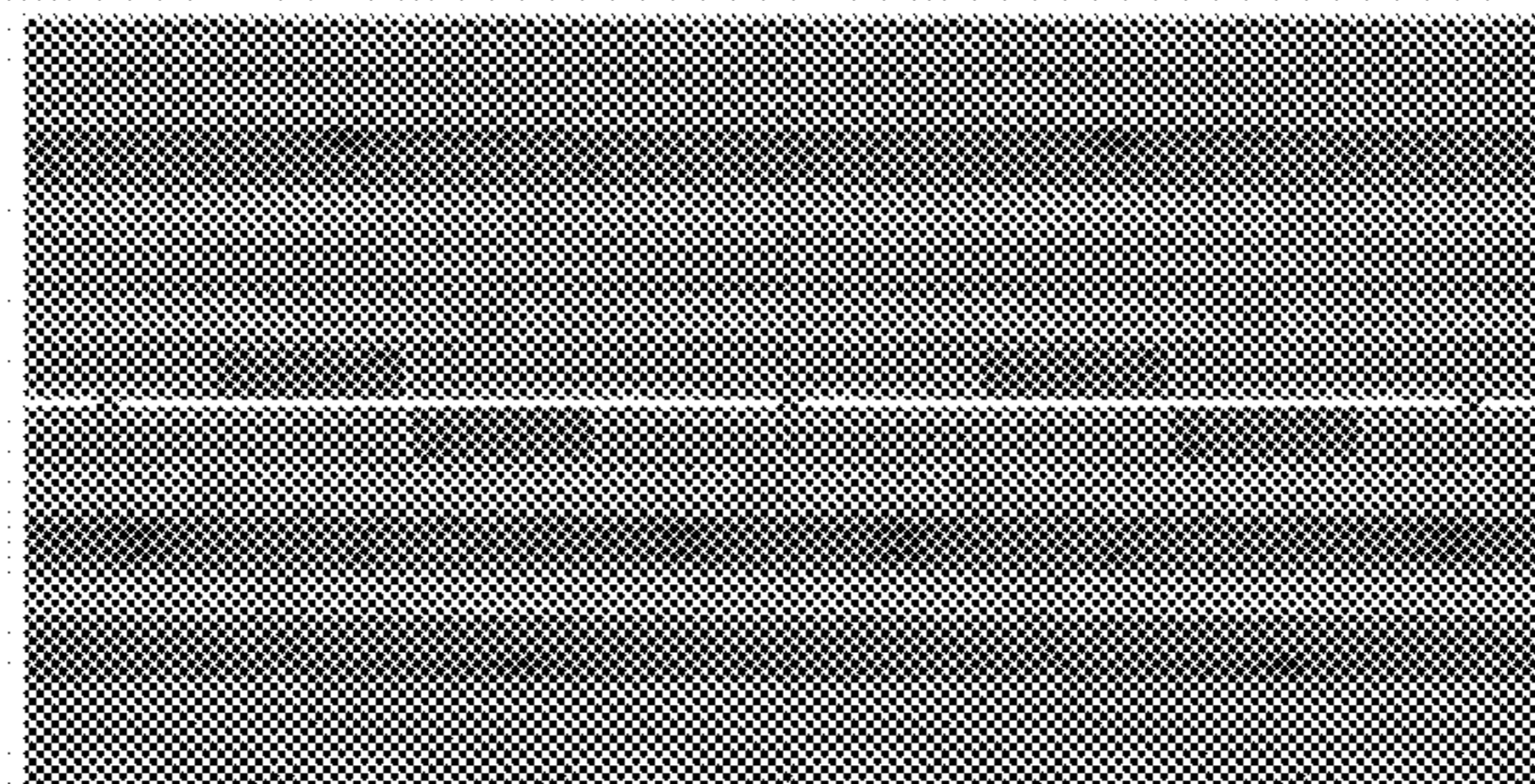
3.7



4.1



4.2



4.3



4.4



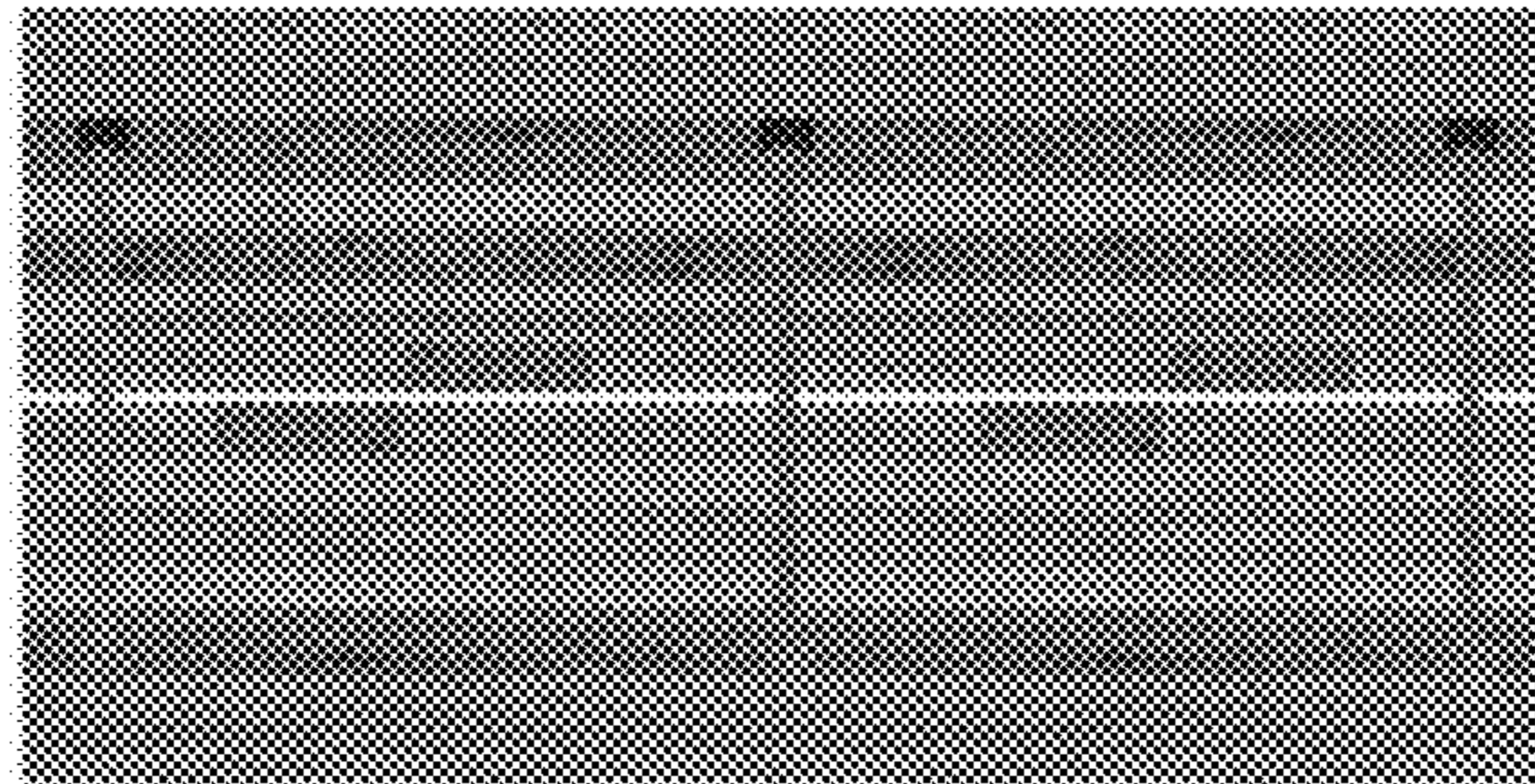
4.5



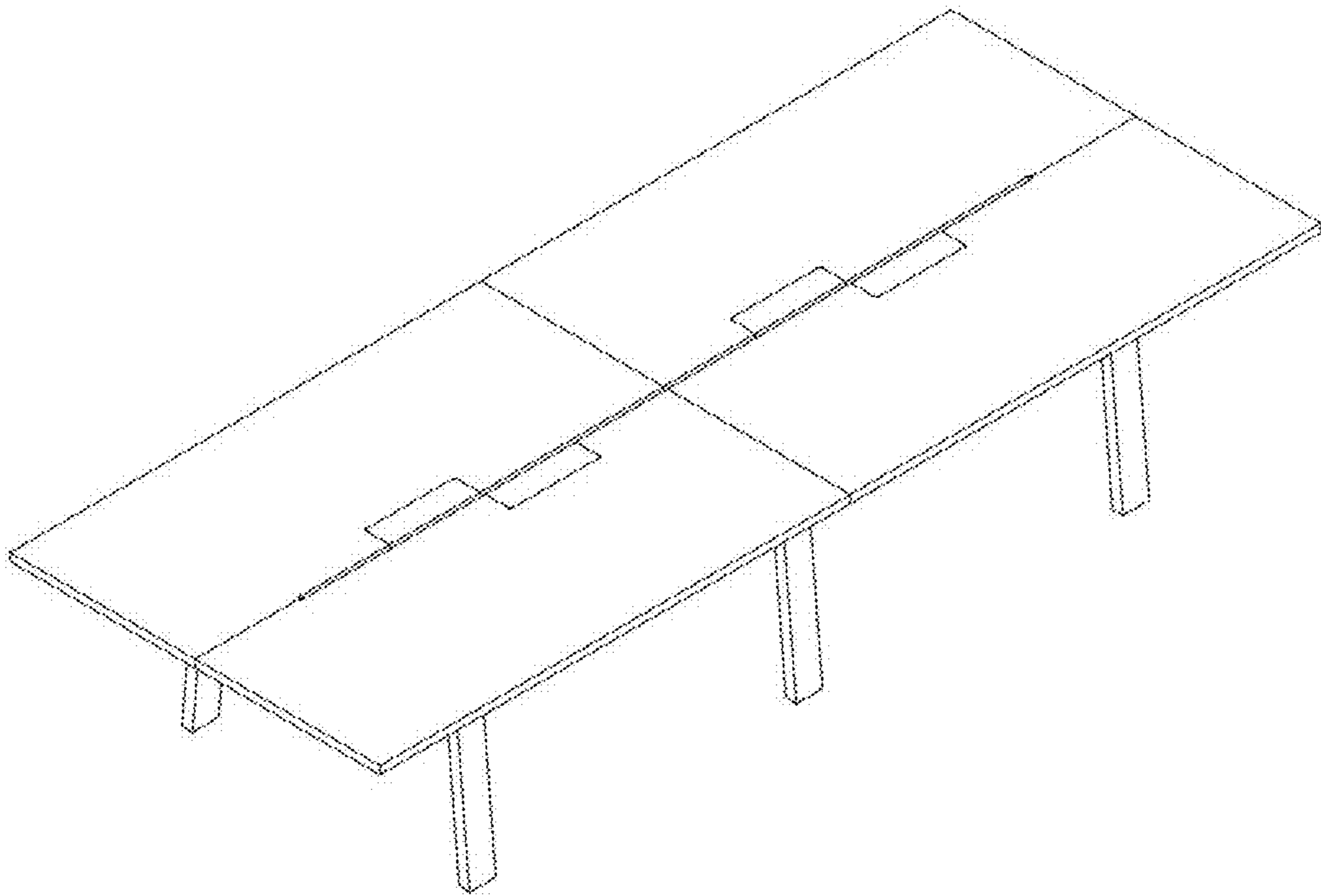
4.6



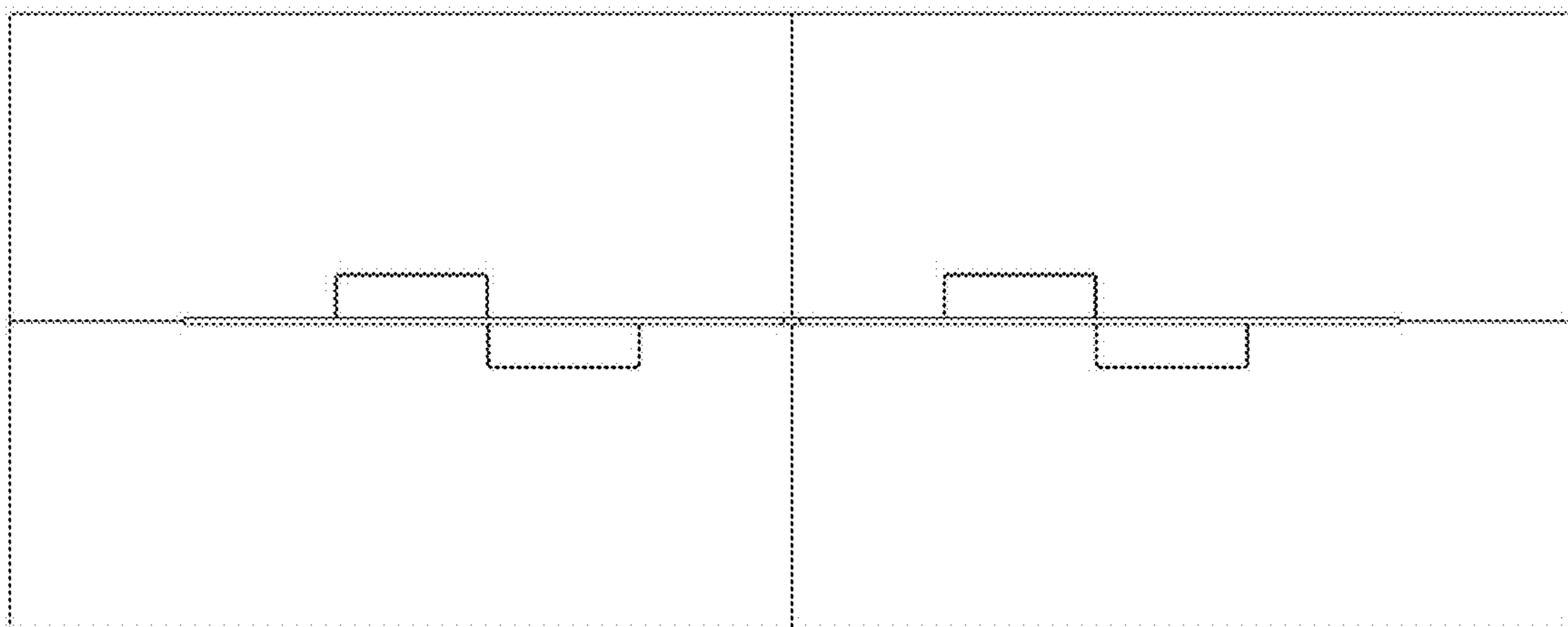
4.7



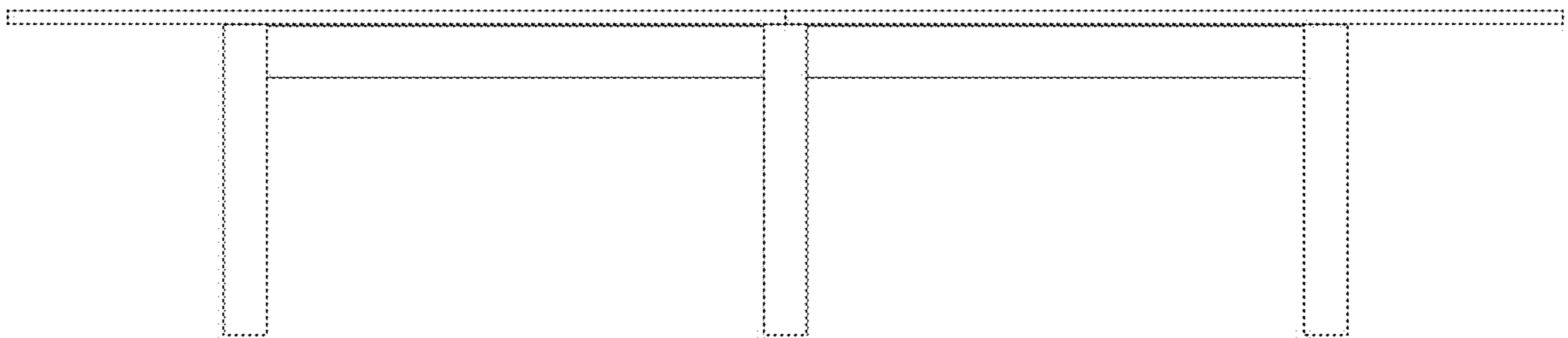
5.1



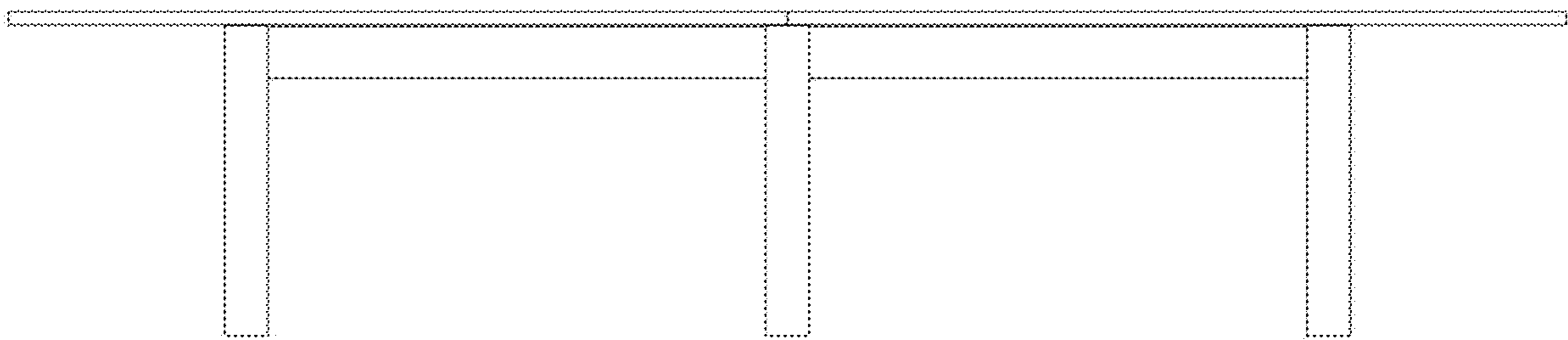
5.2



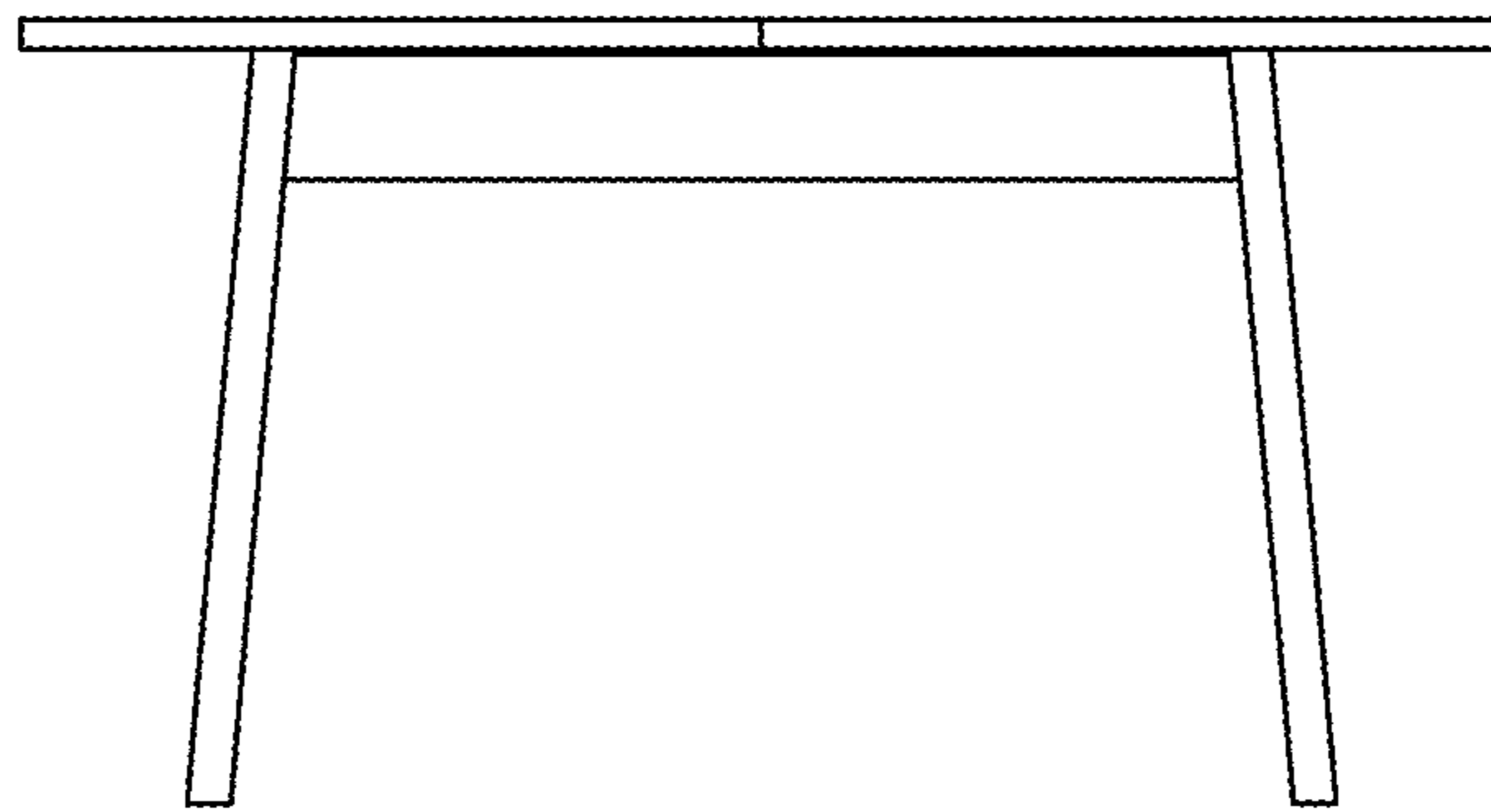
5.3



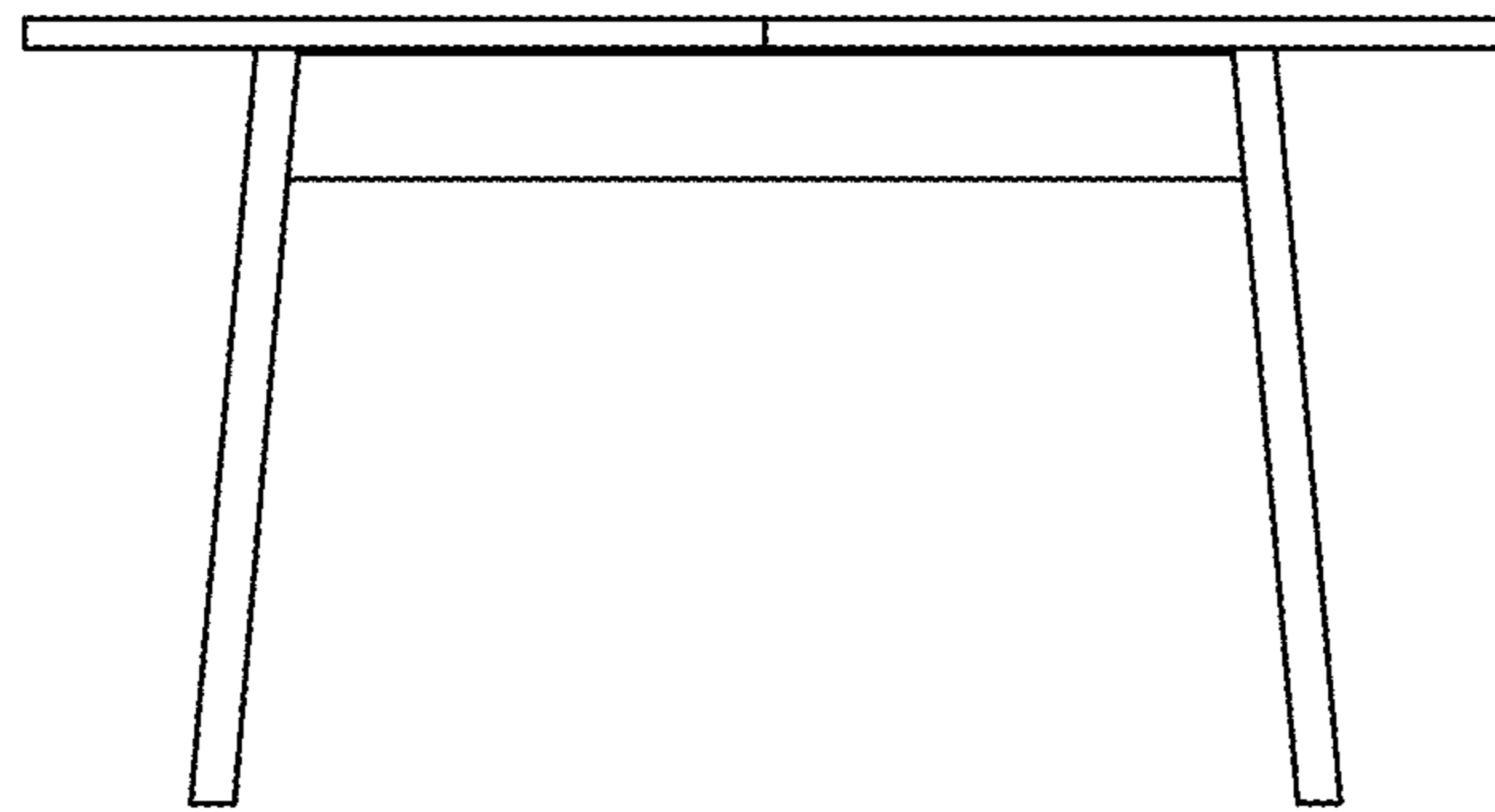
5.4



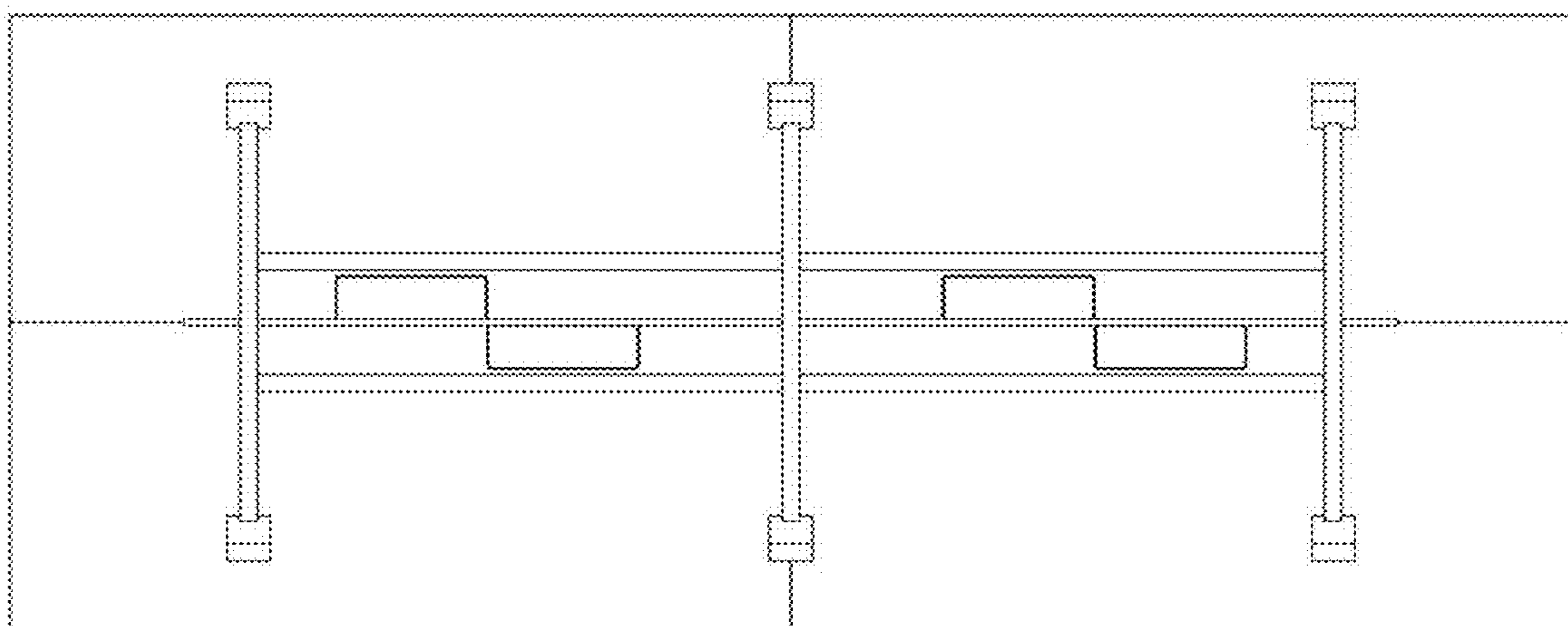
5.5



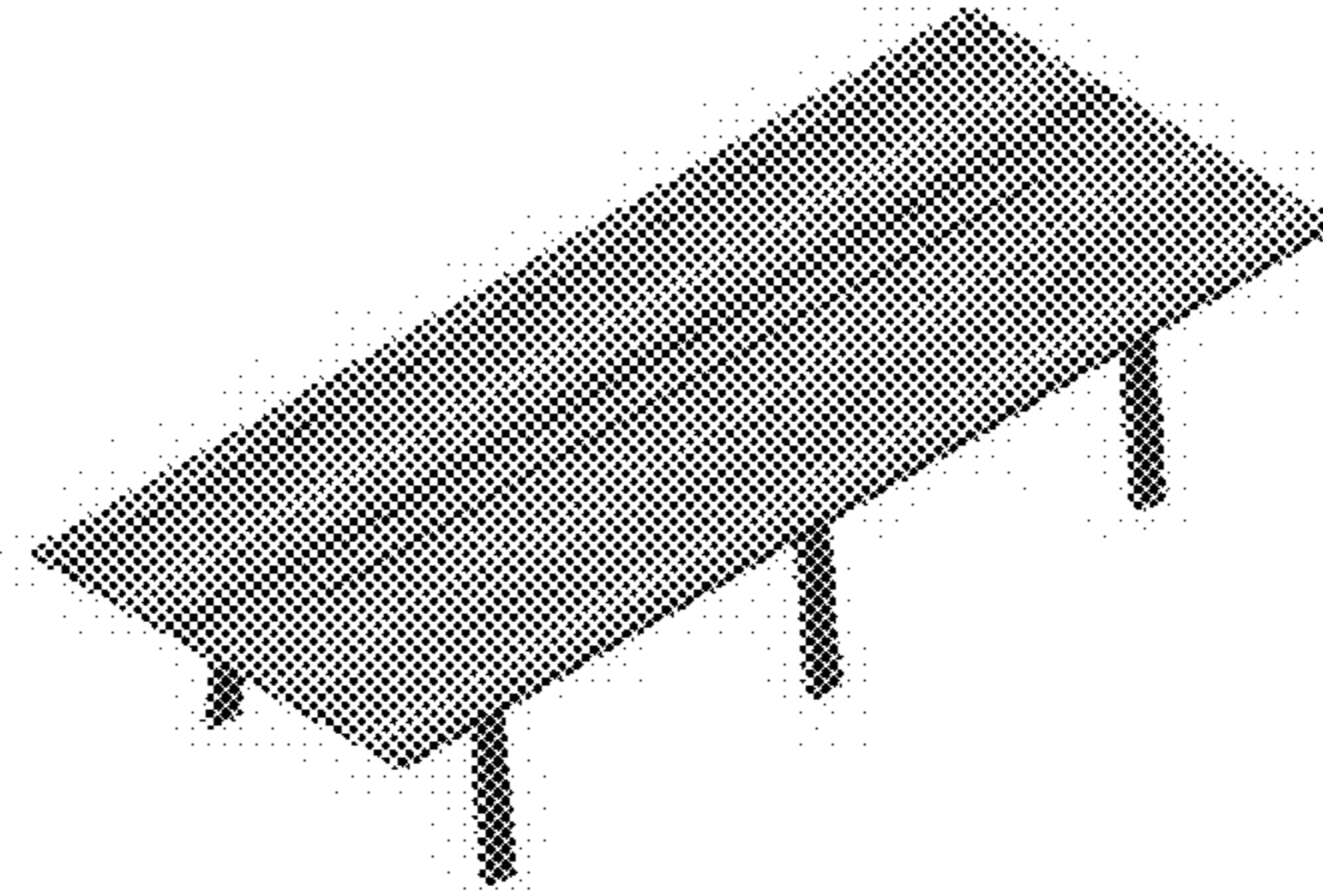
5.6



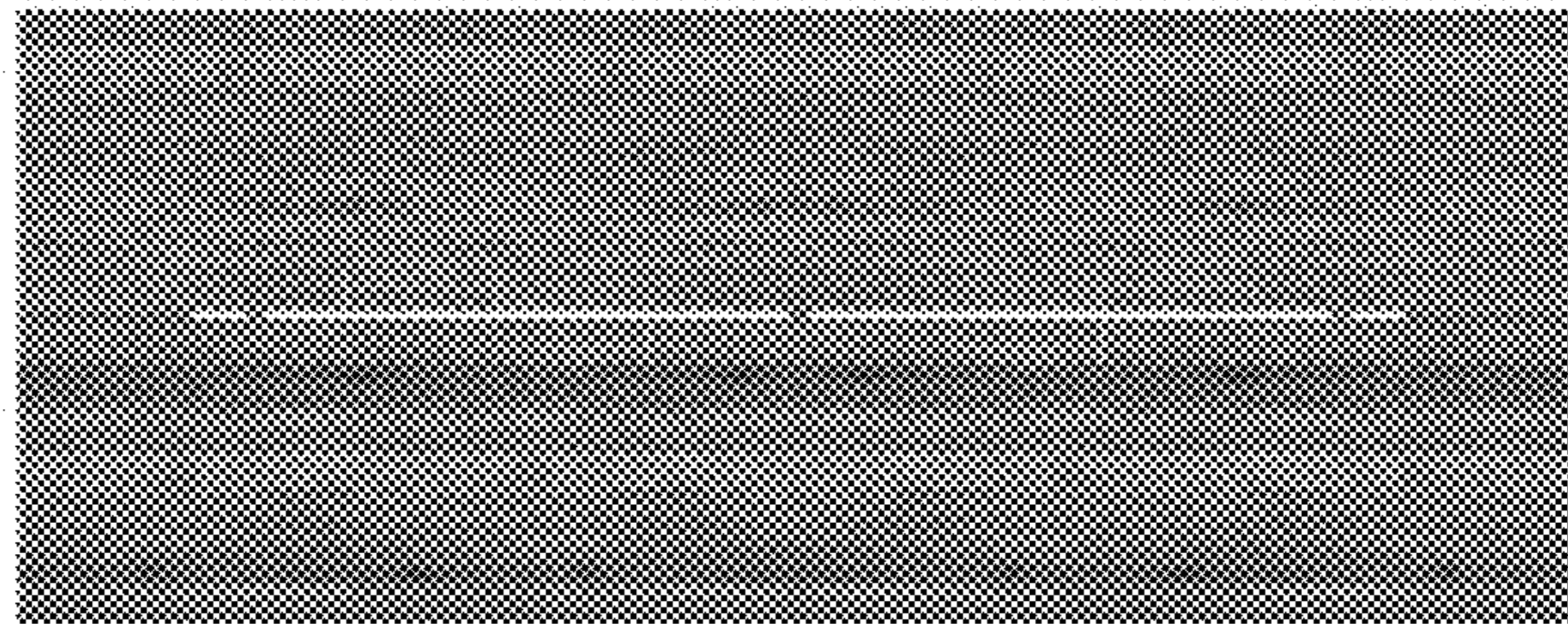
5.7



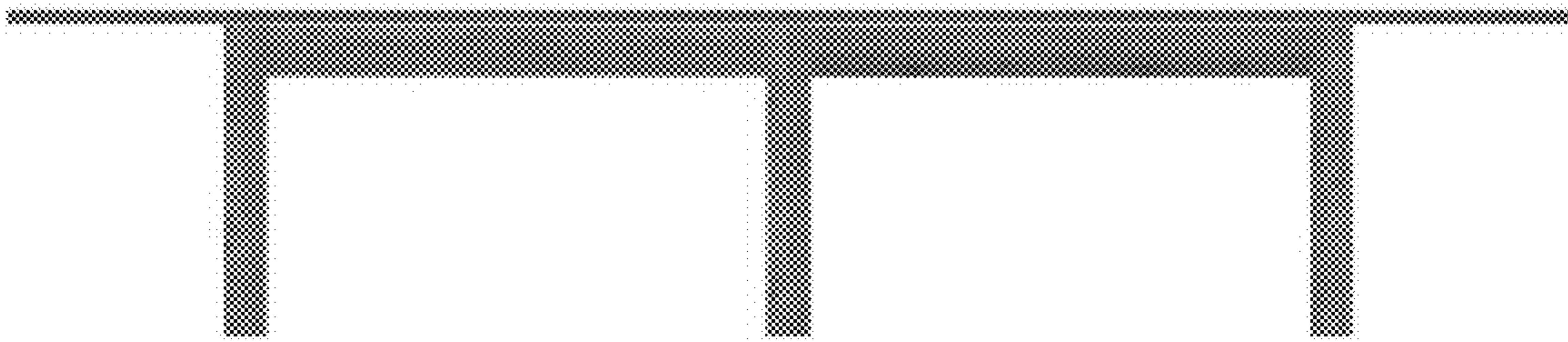
6.1



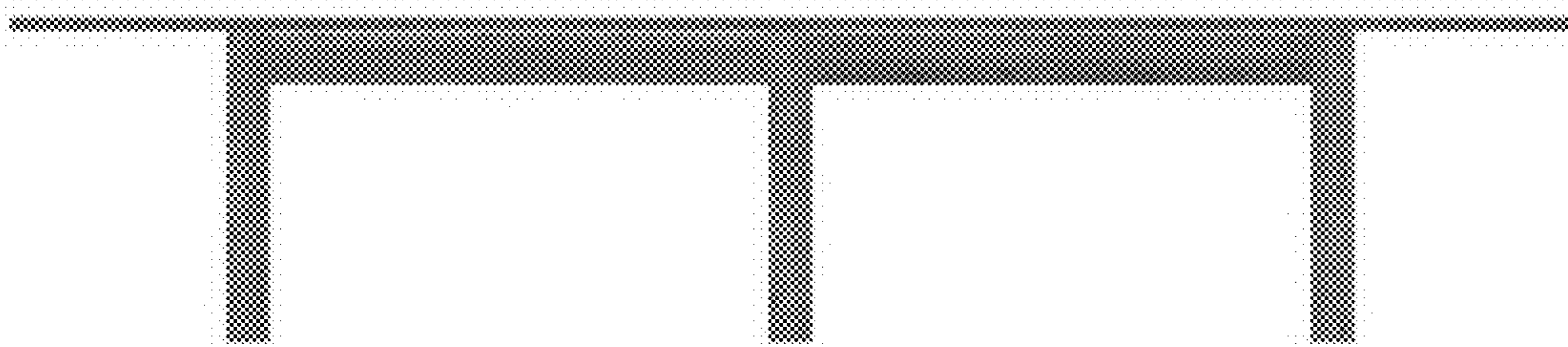
6.2



6.3



6.4



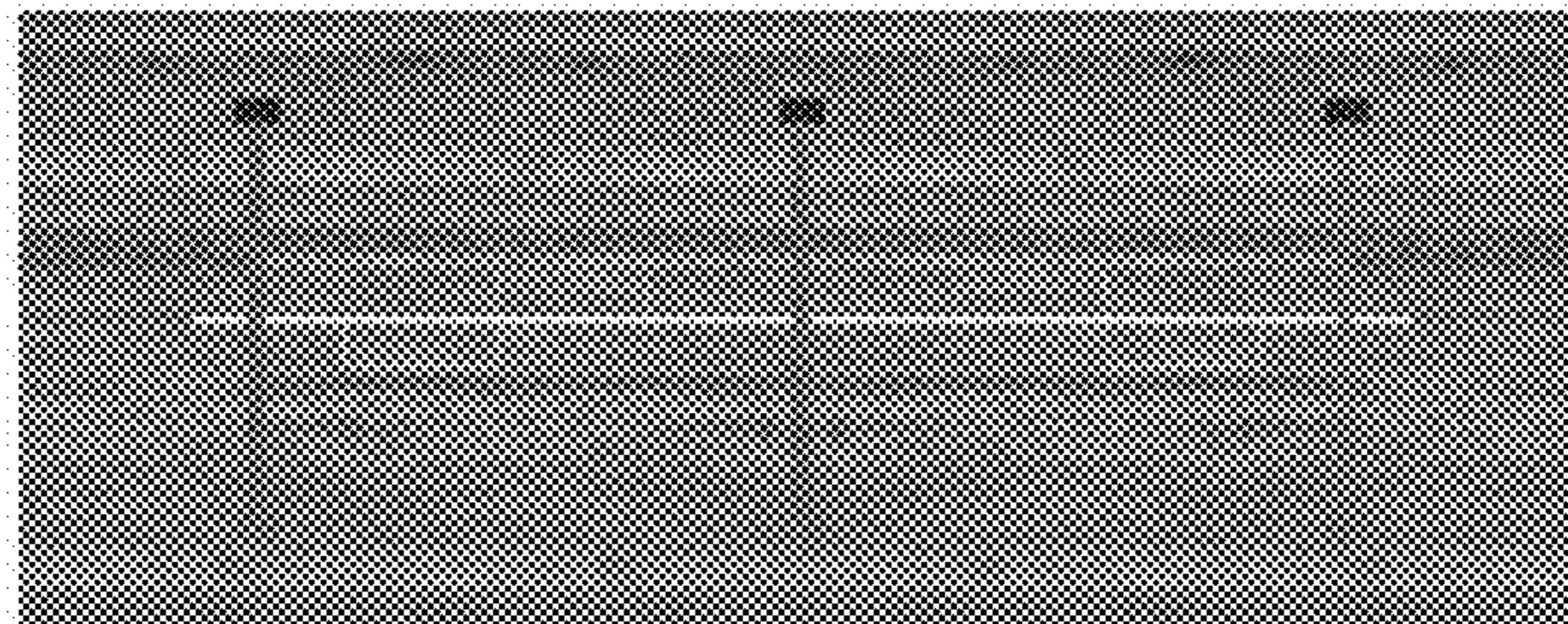
6.5



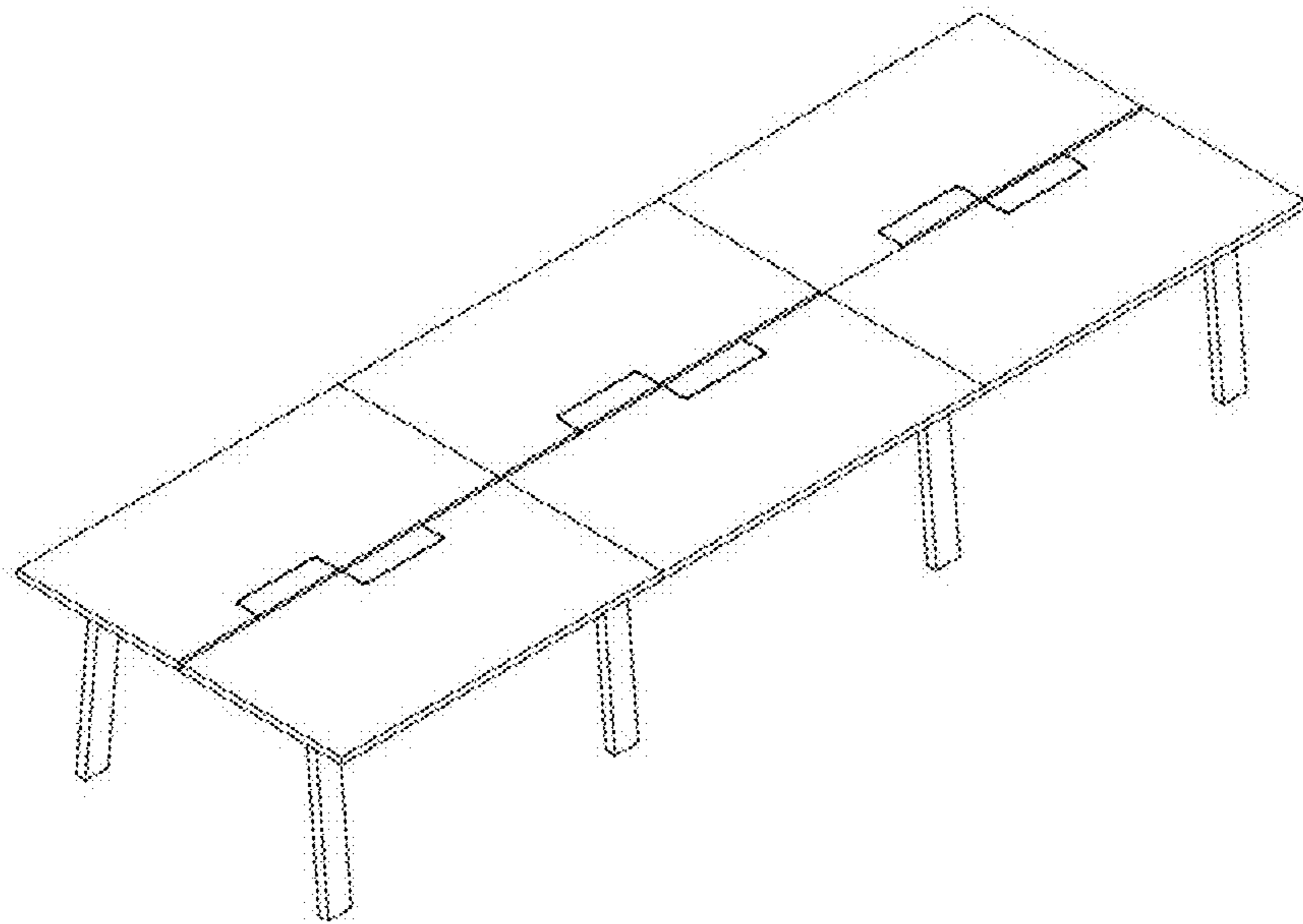
6.6



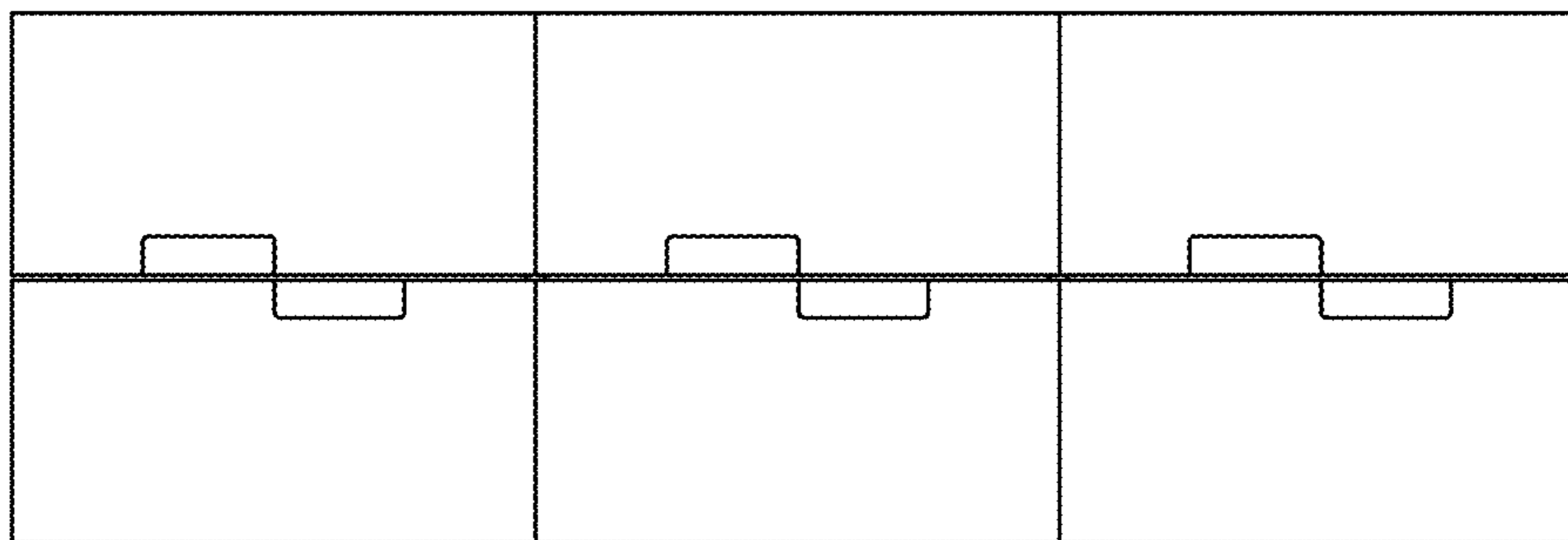
6.7



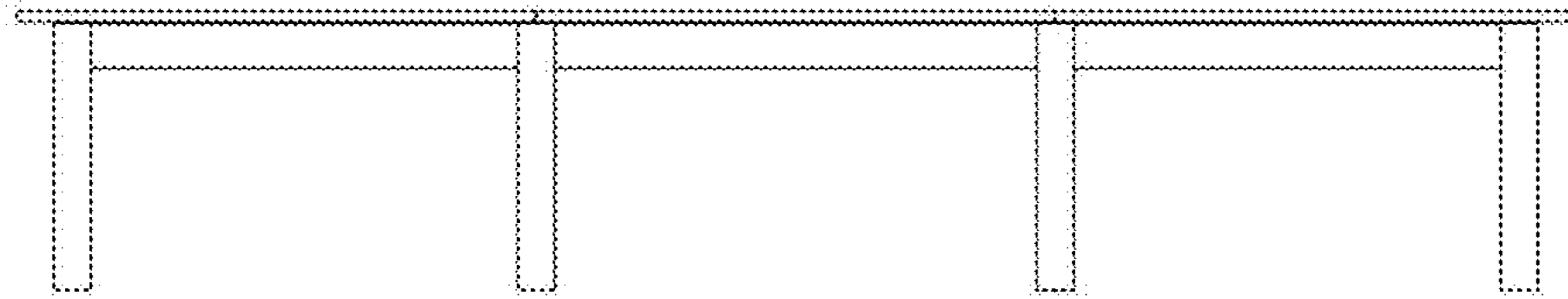
7.1



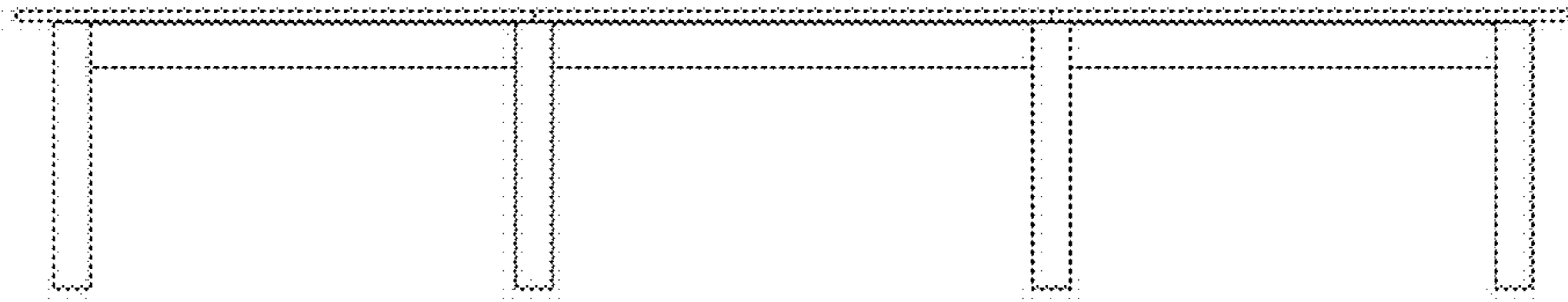
7.2



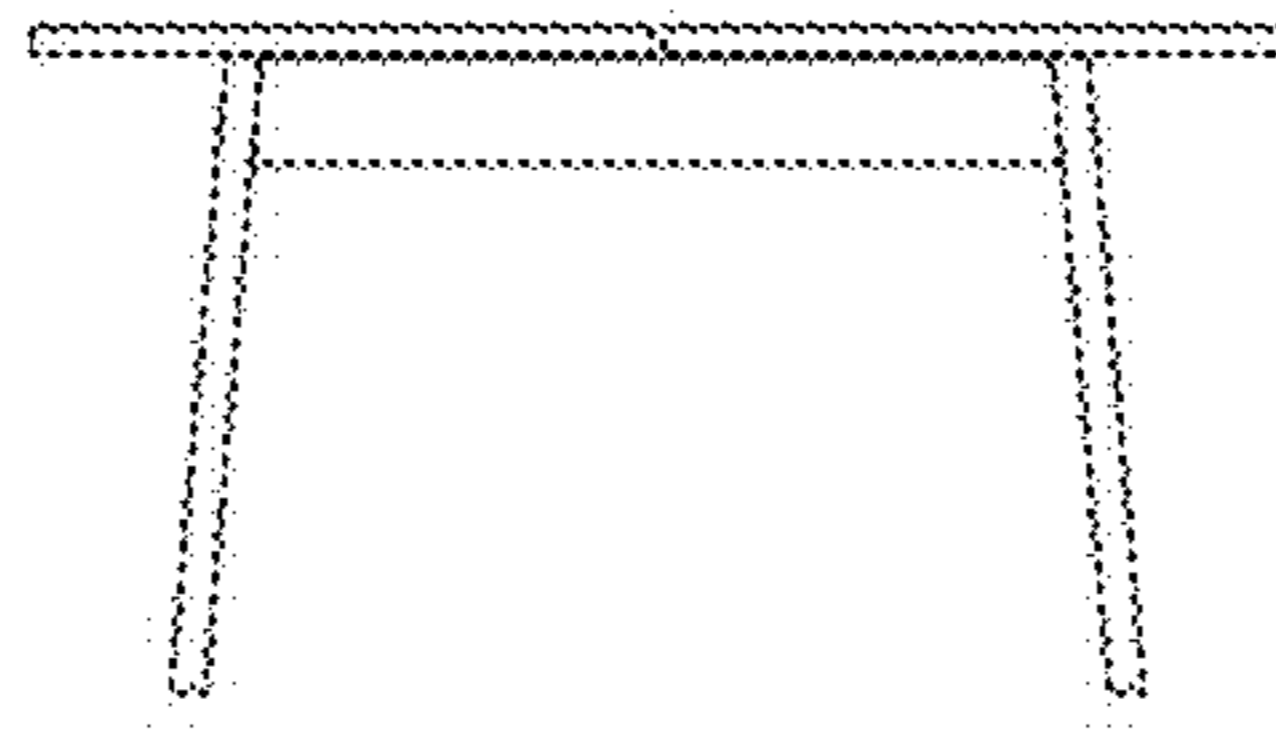
7.3



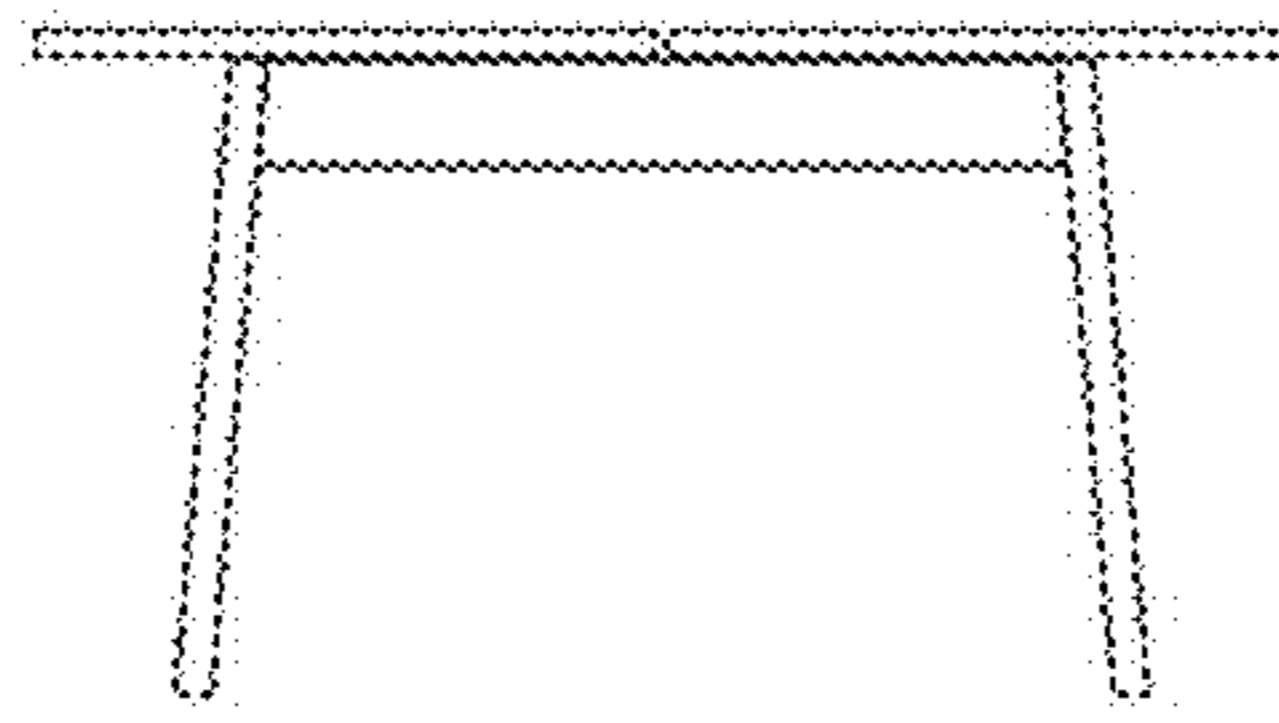
7.4



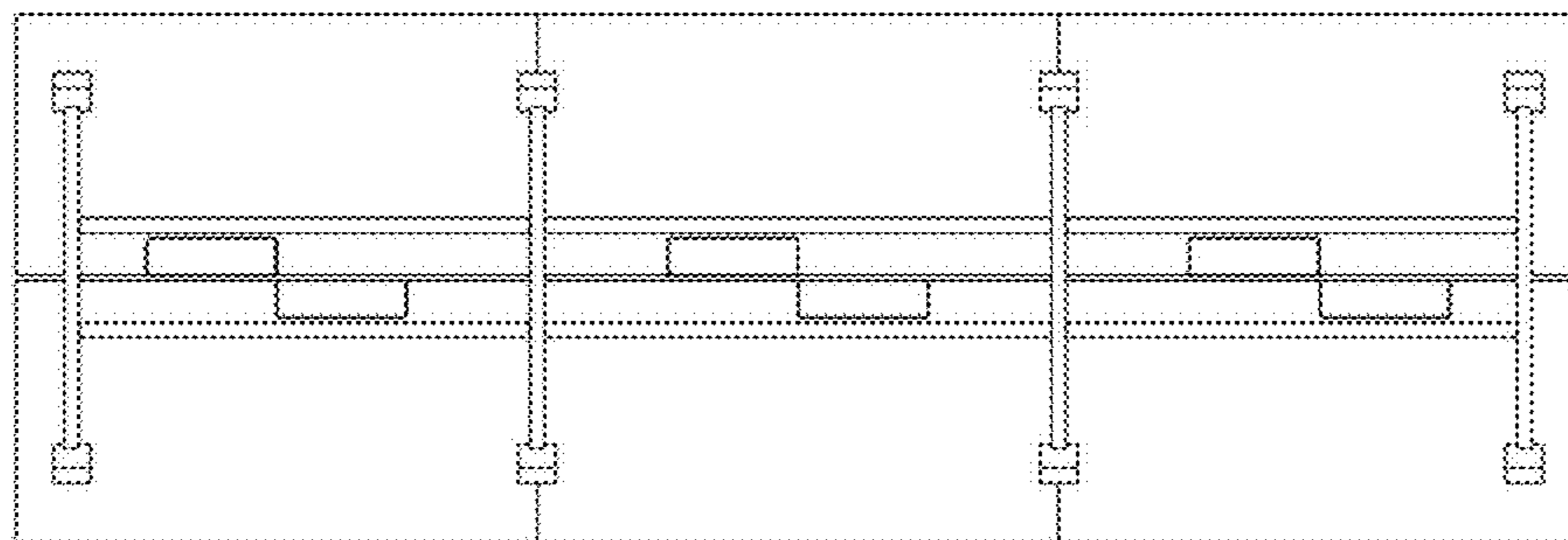
7.5



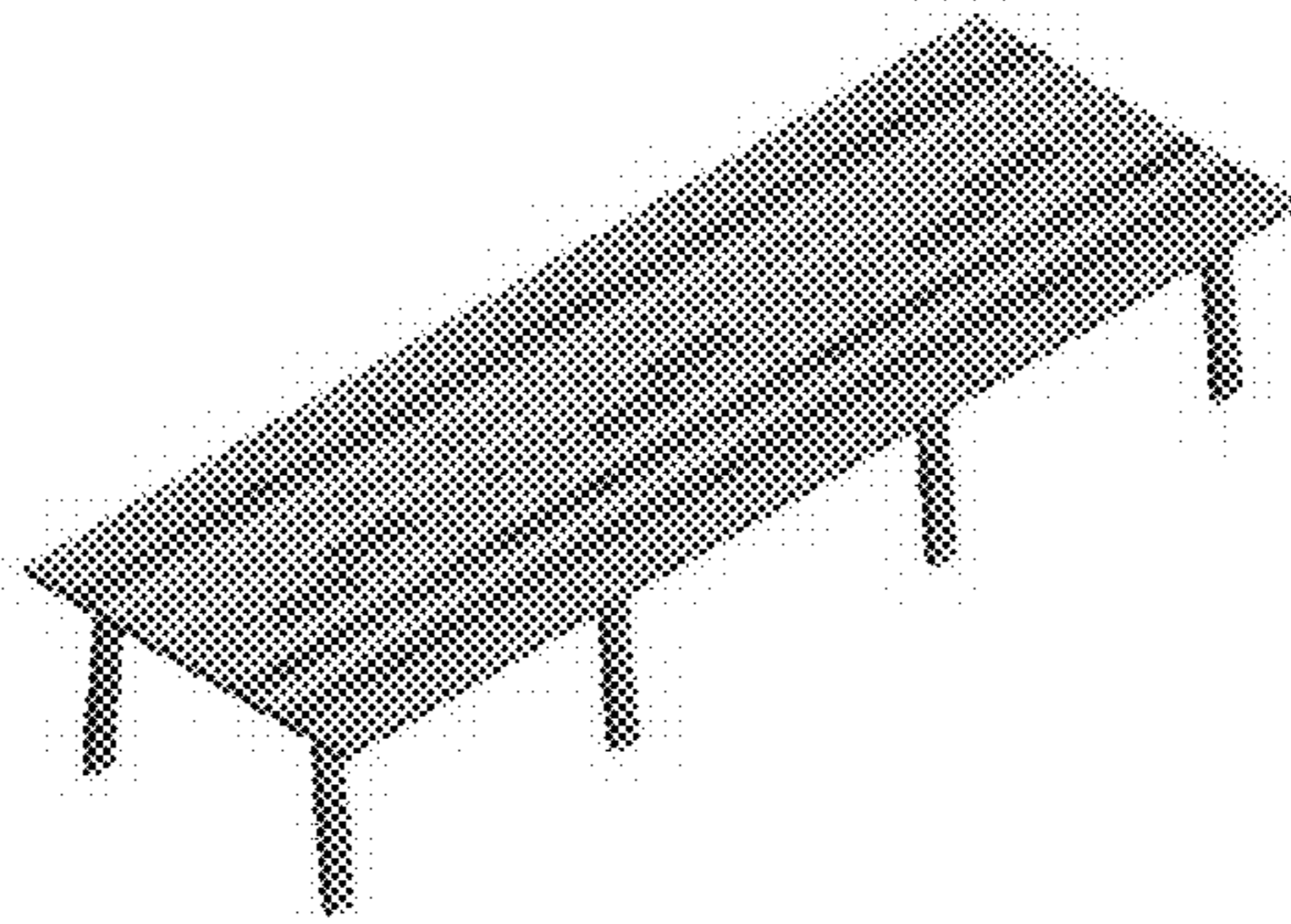
7.6



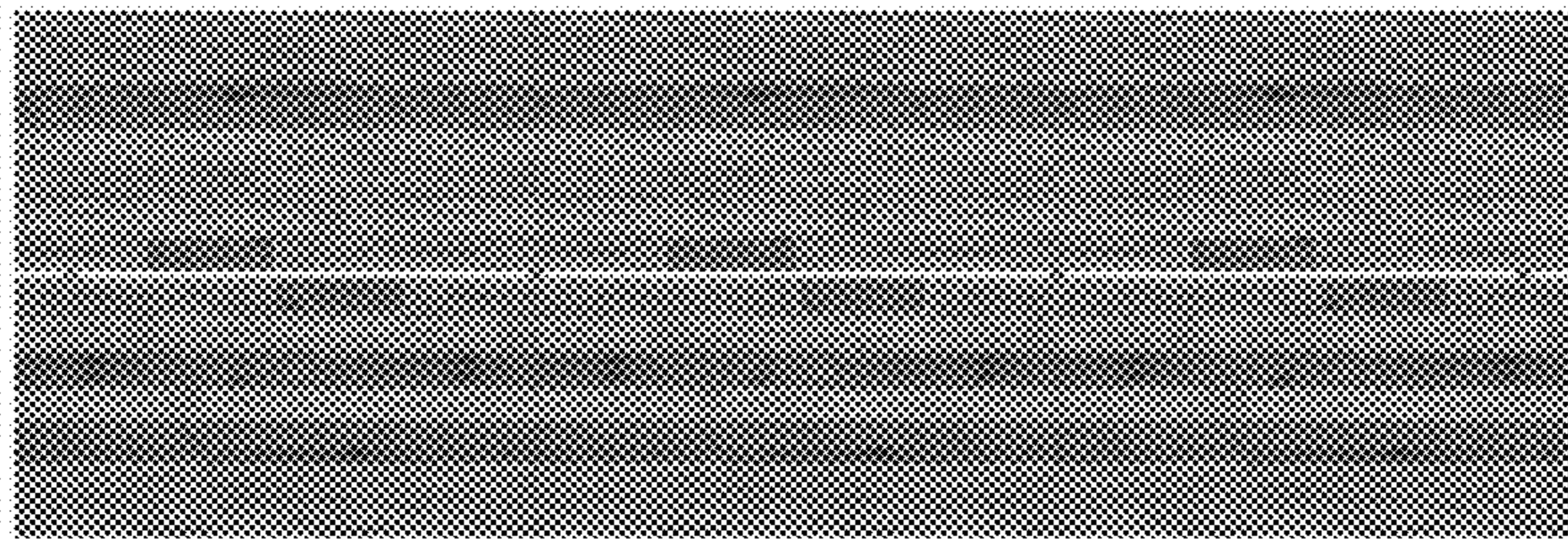
7.7



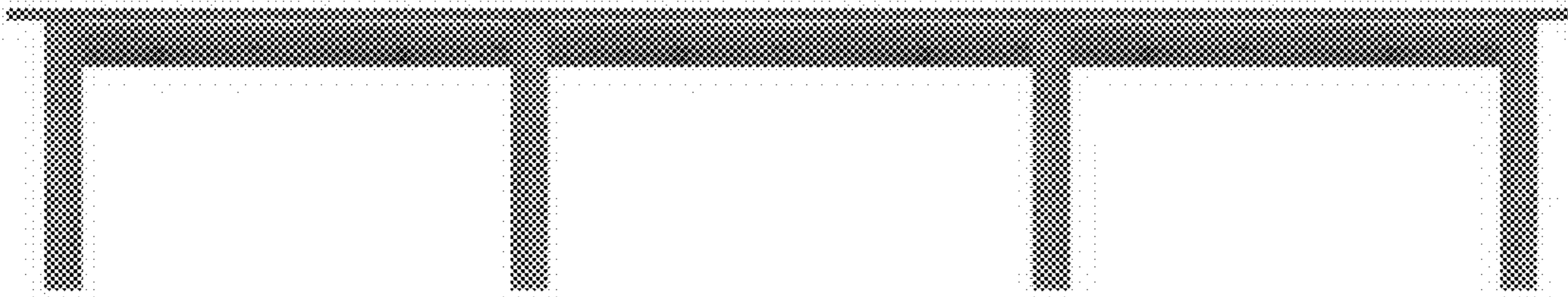
8.1



8.2



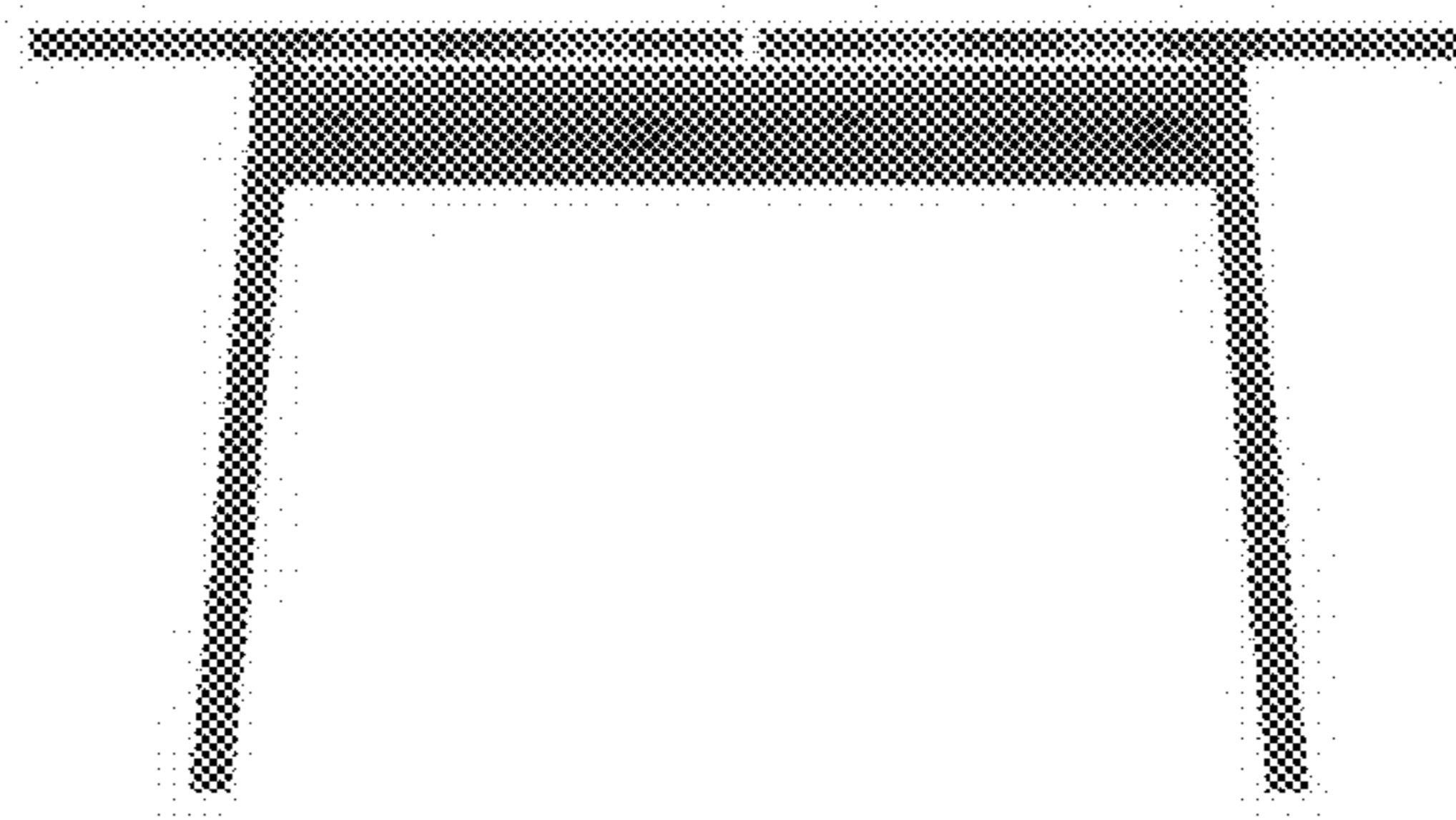
8.3



8.4



8.5



8.6



8.7

