



US00D915107S

(12) **United States Design Patent** (10) **Patent No.:** **US D915,107 S**
Johnson et al. (45) **Date of Patent:** **** Apr. 6, 2021**

(54) **DISPLAY UNIT**

(71) Applicant: **Target Brands, Inc.**, Minneapolis, MN (US)

(72) Inventors: **Jason W. Johnson**, Wayzata, MN (US);
Erin L. Zobel, Minneapolis, MN (US)

(73) Assignee: **Target Brands, Inc.**, Minneapolis, MN (US)

(**) Term: **15 Years**

(21) Appl. No.: **29/724,327**

(22) Filed: **Feb. 14, 2020**

(51) **LOC (13) Cl.** **06-06**

(52) **U.S. Cl.**
USPC **D6/675.4**

(58) **Field of Classification Search**
USPC D6/449, 455, 464, 470-472, 474-475,
D6/477-479, 567, 675, 675.1, 675.4
CPC A47F 3/02; A47F 1/04; A47F 1/00; A47F
5/0018; A47F 5/12; A47F 7/00; A47B
63/00; A47B 81/00; A47B 81/005
See application file for complete search history.

(56) **References Cited**

U.S. PATENT DOCUMENTS

2,998,107 A * 8/1961 Zimmerla E04B 2/76
52/36.6

3,517,623 A * 6/1970 Sobel A47F 5/103
108/187

6,164,462 A * 12/2000 Mumford A47F 5/0093
108/102

6,585,120 B2 * 7/2003 Robertson A47F 1/12
211/59.2

6,648,151 B2 * 11/2003 Battaglia A47F 1/12
211/59.2

7,048,131 B2 * 5/2006 Gay A47B 57/045
108/108

7,255,237 B2 * 8/2007 Stitchick A47B 47/022
211/106

D554,919 S * 11/2007 Clark D6/702

D571,131 S * 6/2008 Clark D6/702

D580,193 S * 11/2008 Sparkowski D6/678.4

D690,528 S * 10/2013 Nowak D6/673

8,752,718 B2 * 6/2014 Stukenberg A47G 25/0664
211/87.01

D712,182 S * 9/2014 Riley D6/675.2

D757,181 S * 5/2016 Donadee D20/42

D758,768 S * 6/2016 Ocegueda D6/678.4

D866,227 S * 11/2019 Burton D6/672

D885,806 S * 6/2020 Rockwell D6/675

D888,470 S * 6/2020 Denby D6/675.1

* cited by examiner

Primary Examiner — Kelley A Donnelly

(74) *Attorney, Agent, or Firm* — Leanne Taveggia Farrell;
Westman, Champlin & Koehler, P.A.

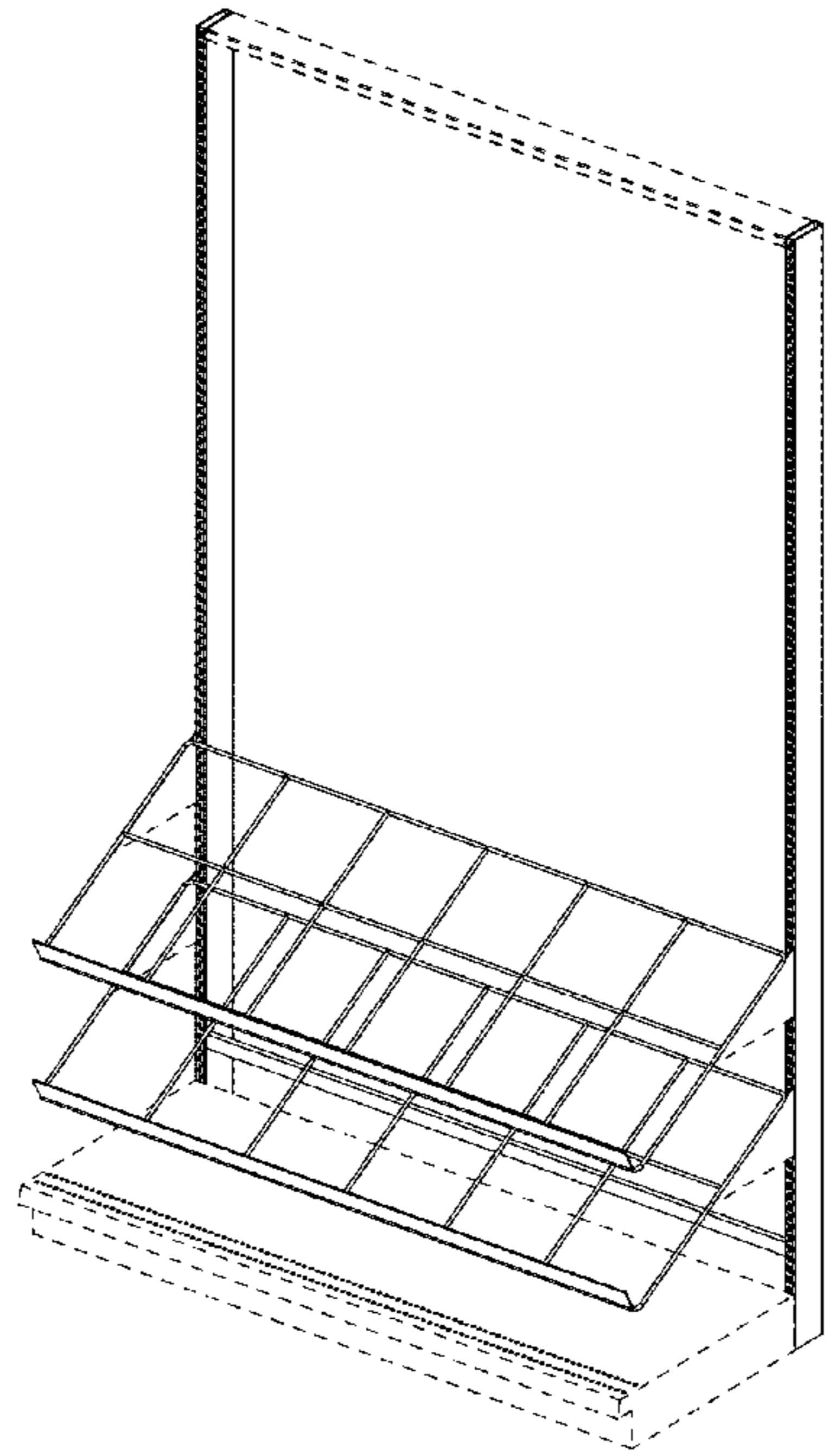
(57) **CLAIM**

The ornamental design for a display unit, as shown and described.

DESCRIPTION

FIG. 1 is a perspective view of a display unit showing our new design;
FIG. 2 is a front view thereof;
FIG. 3 is a right side view thereof, the left side view being a mirror image; and,
FIG. 4 is a top view thereof.
The broken lines shown in the drawings are included for purposes of illustrating portions of the display unit and form no part of the claimed design.

1 Claim, 4 Drawing Sheets



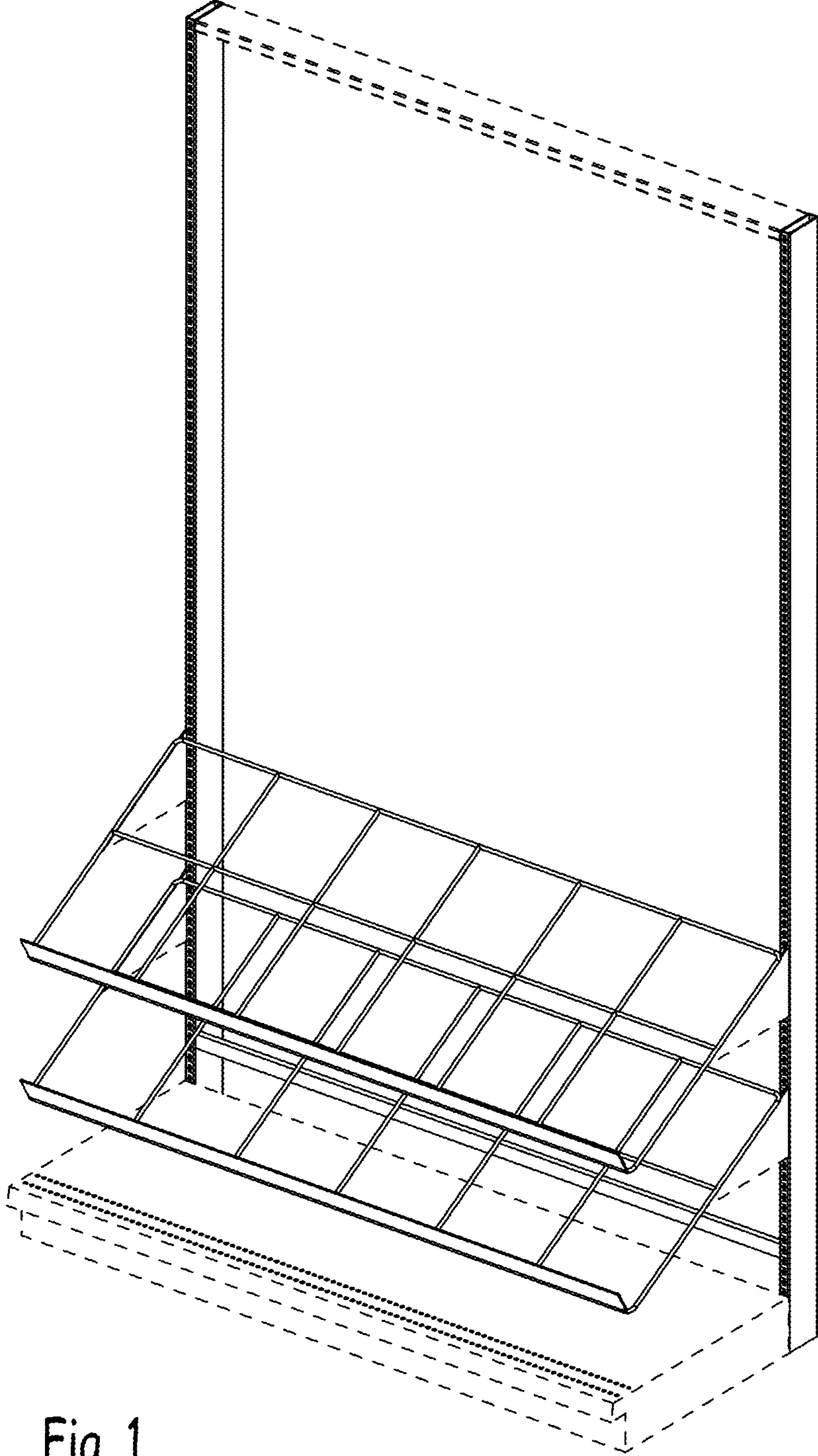


Fig. 1

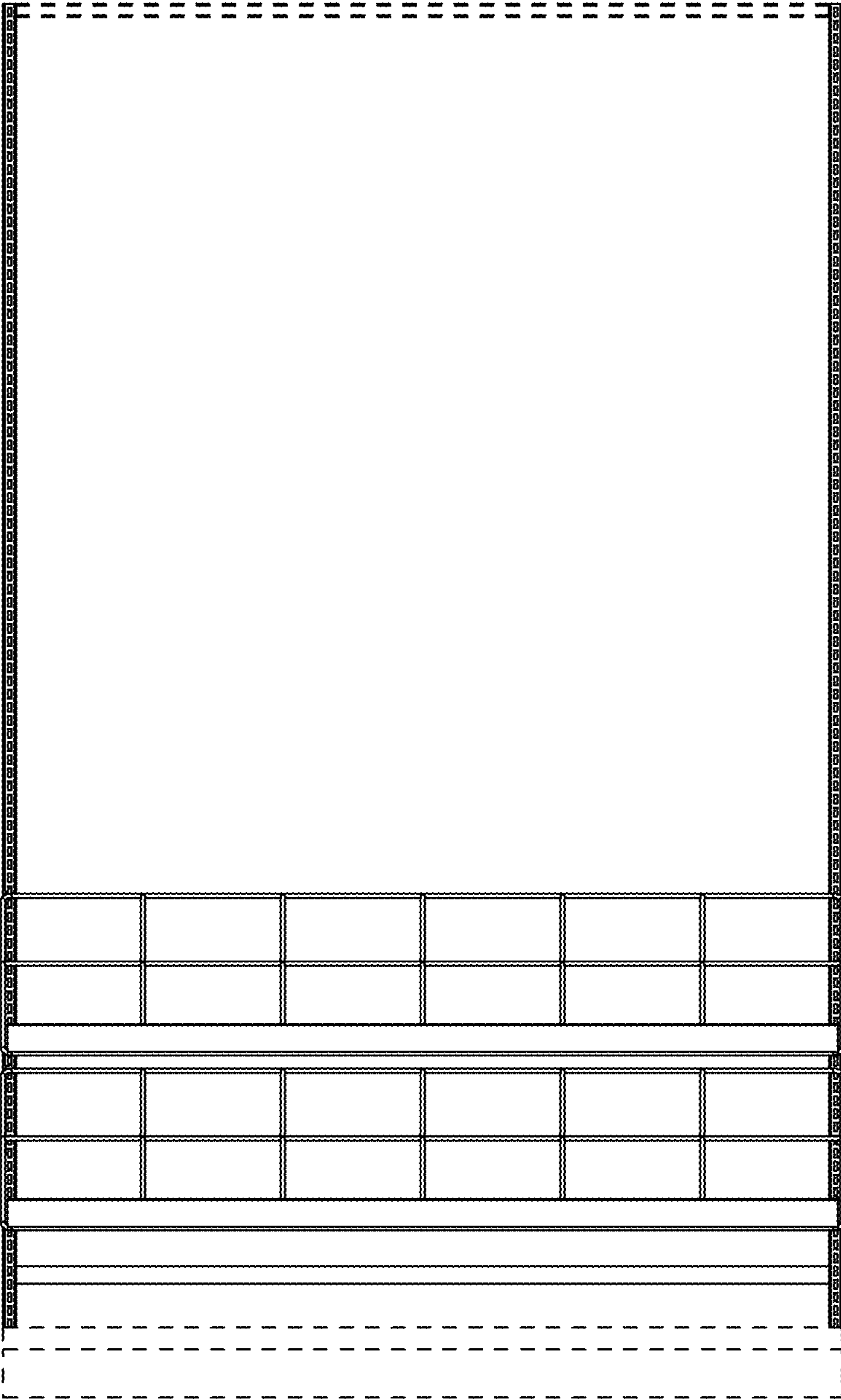


Fig. 2

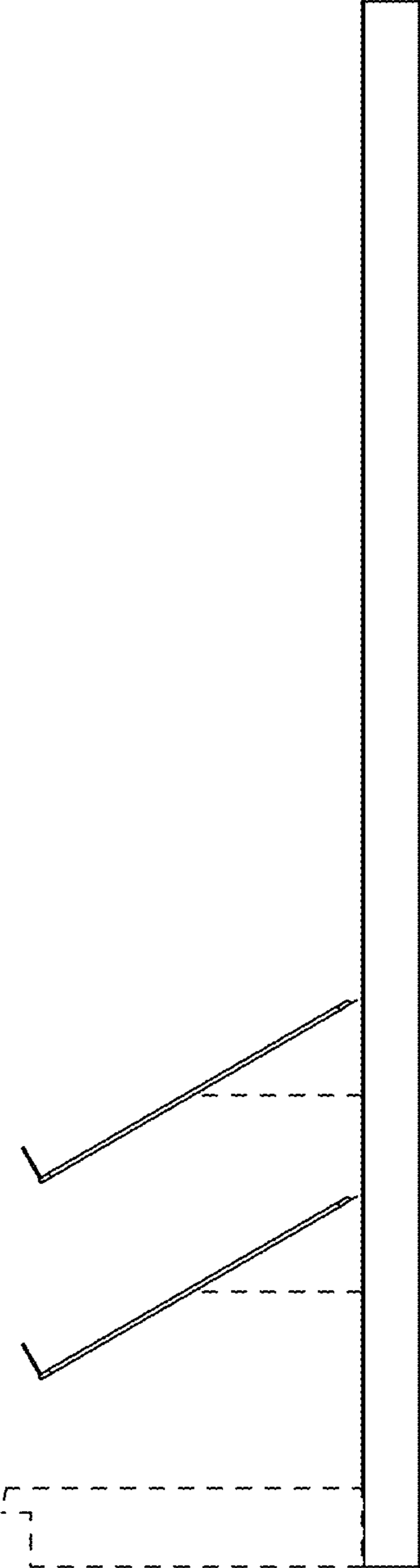


Fig. 3

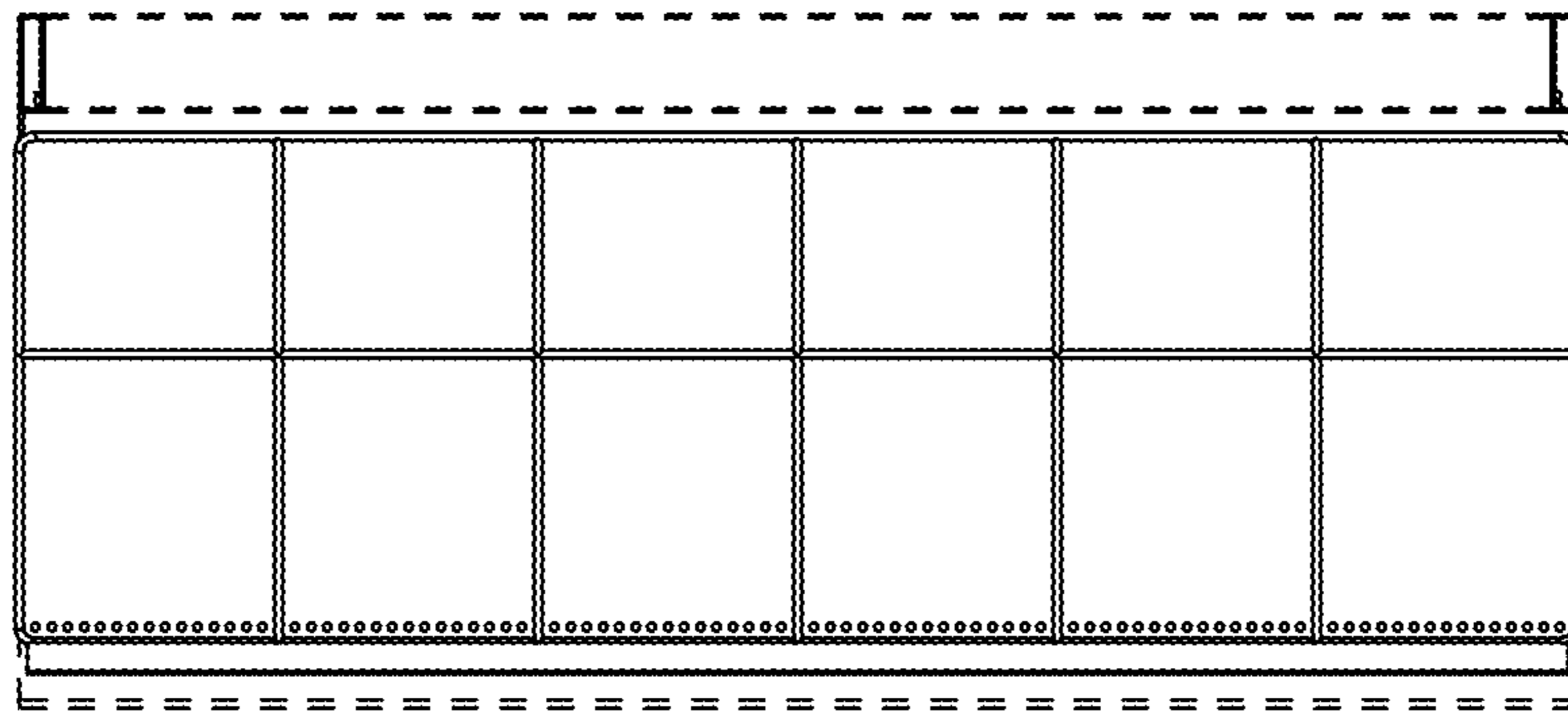


Fig. 4