



US00D915106S

(12) **United States Design Patent** (10) **Patent No.:** **US D915,106 S**
Lu (45) **Date of Patent:** **** Apr. 6, 2021**

(54) **DISPLAY STAND FOR STORAGE**
(71) Applicant: **Shenzhen Prime Technology Co., Ltd,**
Shenzhen (CN)
(72) Inventor: **Chengan Lu,** Shenzhen (CN)
(**) Term: **15 Years**
(21) Appl. No.: **29/751,558**
(22) Filed: **Sep. 22, 2020**
(51) **LOC (13) Cl.** **06-06**
(52) **U.S. Cl.**
USPC **D6/675.1**
(58) **Field of Classification Search**
USPC D6/329, 641, 653, 655, 672, 675, 675.1,
D6/682, 708
CPC ... A47B 55/00; A47B 96/20; A47B 2097/005;
A47B 47/04; A47B 47/047; A47B
2097/006; A47F 5/0018
See application file for complete search history.

D810,482 S * 2/2018 Modlin D6/691
D811,784 S * 3/2018 Sartain D6/684
D817,728 S * 5/2018 Brown D7/701
D883,046 S * 5/2020 Chen D7/701
D895,631 S * 9/2020 Kanter D14/451
D902,660 S * 11/2020 Li D7/553.2
D904,089 S * 12/2020 Chen D6/682.2
D904,806 S * 12/2020 Zhang D6/675
D906,773 S * 1/2021 Chen D7/701
D907,450 S * 1/2021 Yang D7/701

* cited by examiner

Primary Examiner — Kelley A Donnelly
(74) *Attorney, Agent, or Firm* — W&K IP

(57) **CLAIM**

The ornamental design for a display stand for storage, as shown and described.

DESCRIPTION

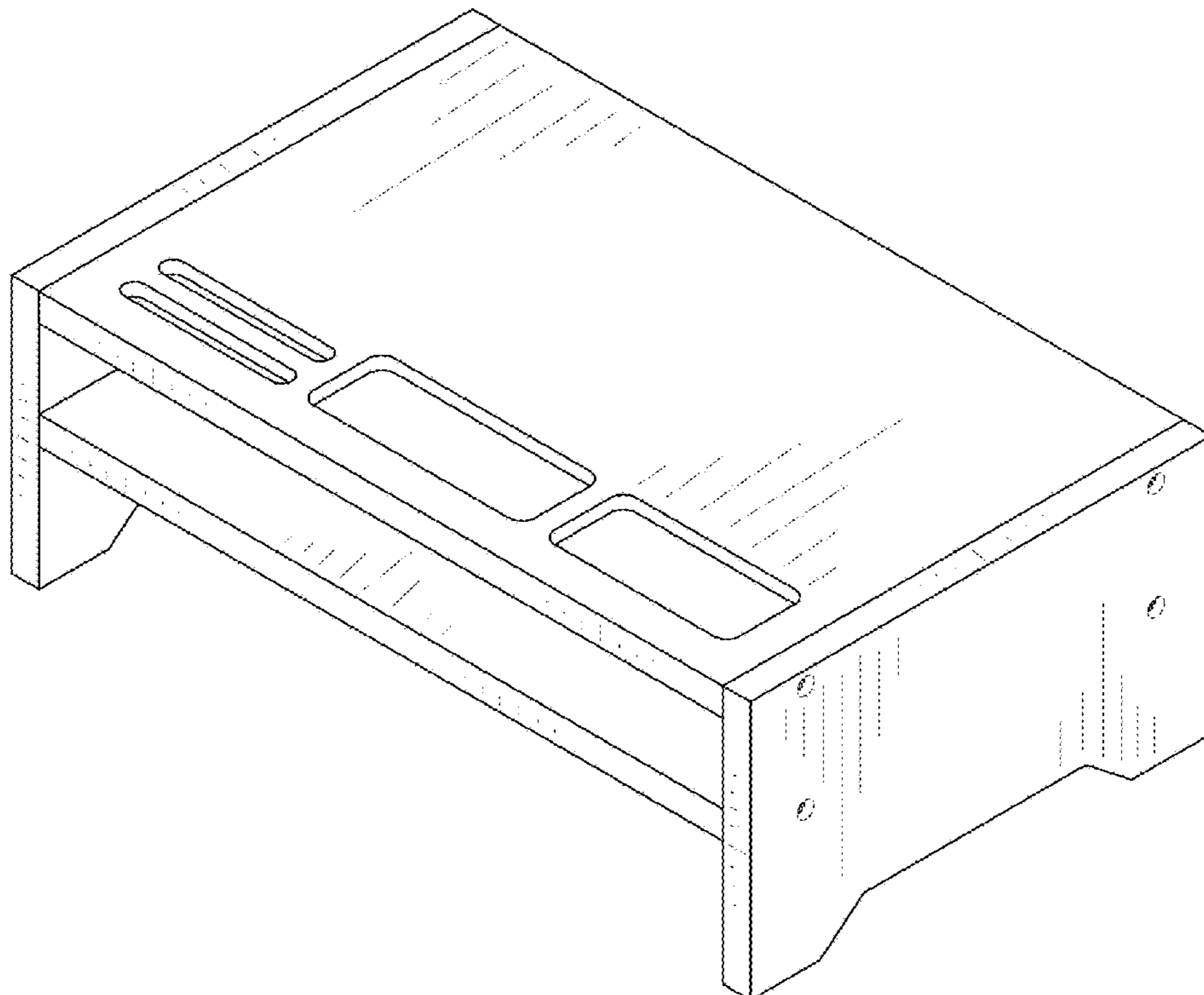
FIG. 1 is a perspective view of a display mount showing my new design;
FIG. 2 is a front view thereof;
FIG. 3 is a rear view thereof;
FIG. 4 is a left side view thereof;
FIG. 5 is a right side view thereof;
FIG. 6 is a top plan view thereof; and,
FIG. 7 is a bottom plan view thereof.
The evenly-broken lines where present illustrate portions of the display stand for storage that form no part of the claimed design.

1 Claim, 7 Drawing Sheets

(56) **References Cited**

U.S. PATENT DOCUMENTS

D325,826 S * 5/1992 Brunner D18/59
D373,198 S * 8/1996 Hill D24/230
D377,463 S * 1/1997 Cressall D12/98
D468,689 S 1/2003 Lee
D507,428 S 7/2005 Weatherly
D520,779 S * 5/2006 DeBlois D6/675.1
D528,876 S * 9/2006 King D7/701
D564,529 S * 3/2008 Hughes D14/451
D786,029 S * 5/2017 Pannell D7/708



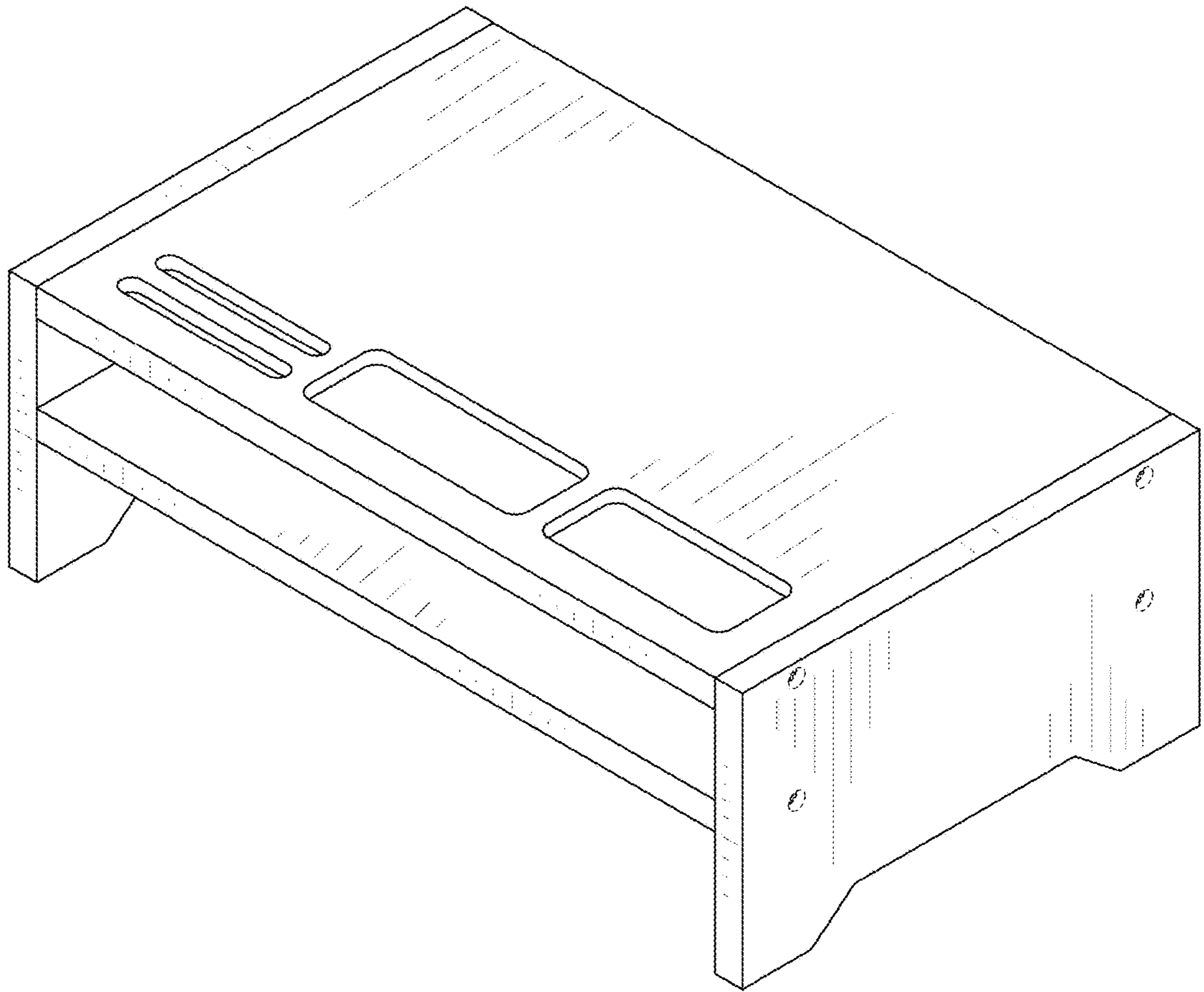


FIG.1

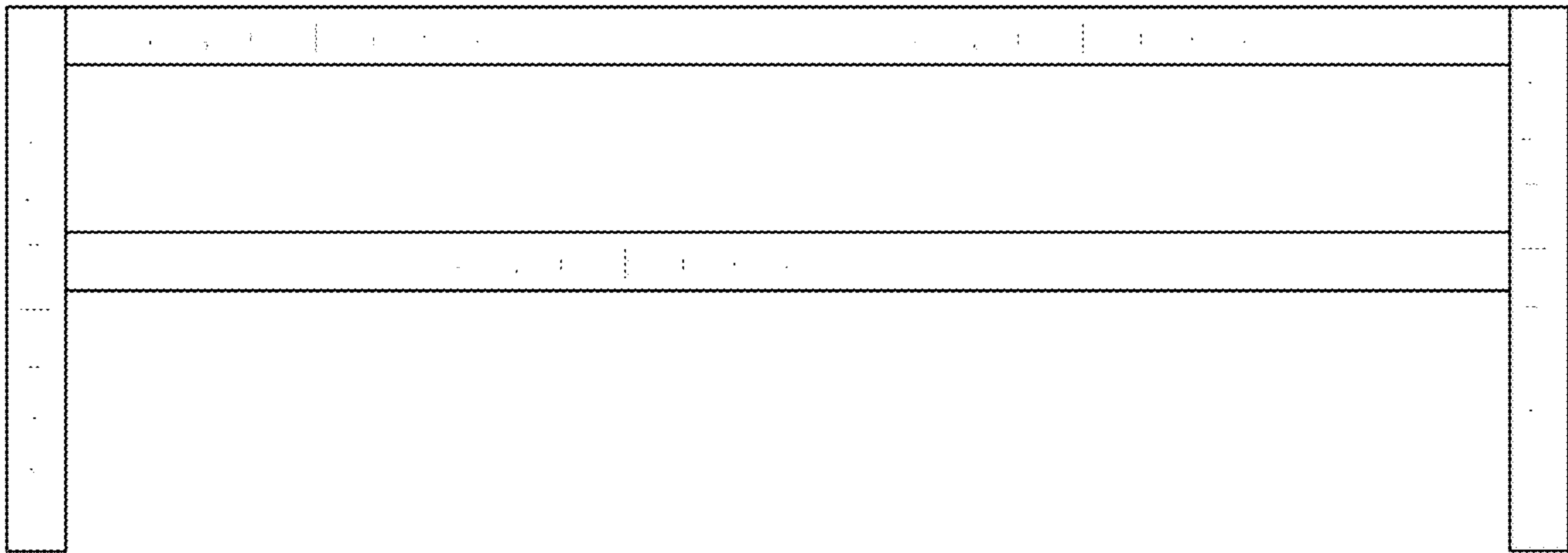


FIG. 2

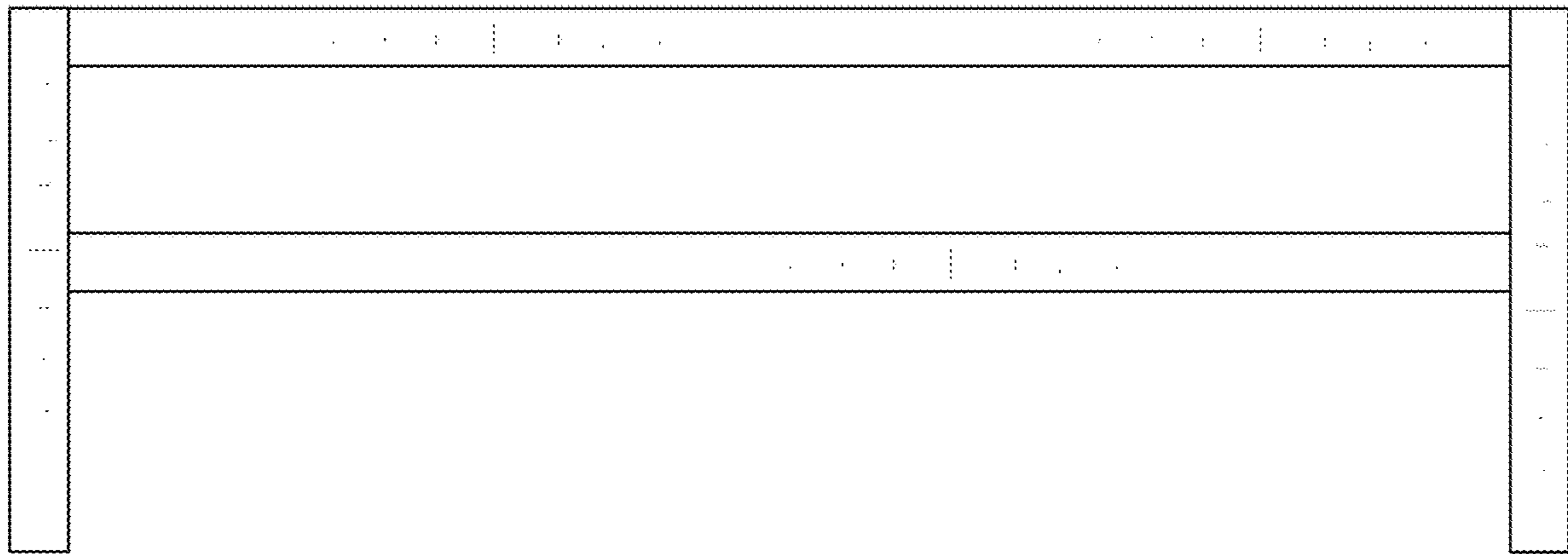


FIG.3

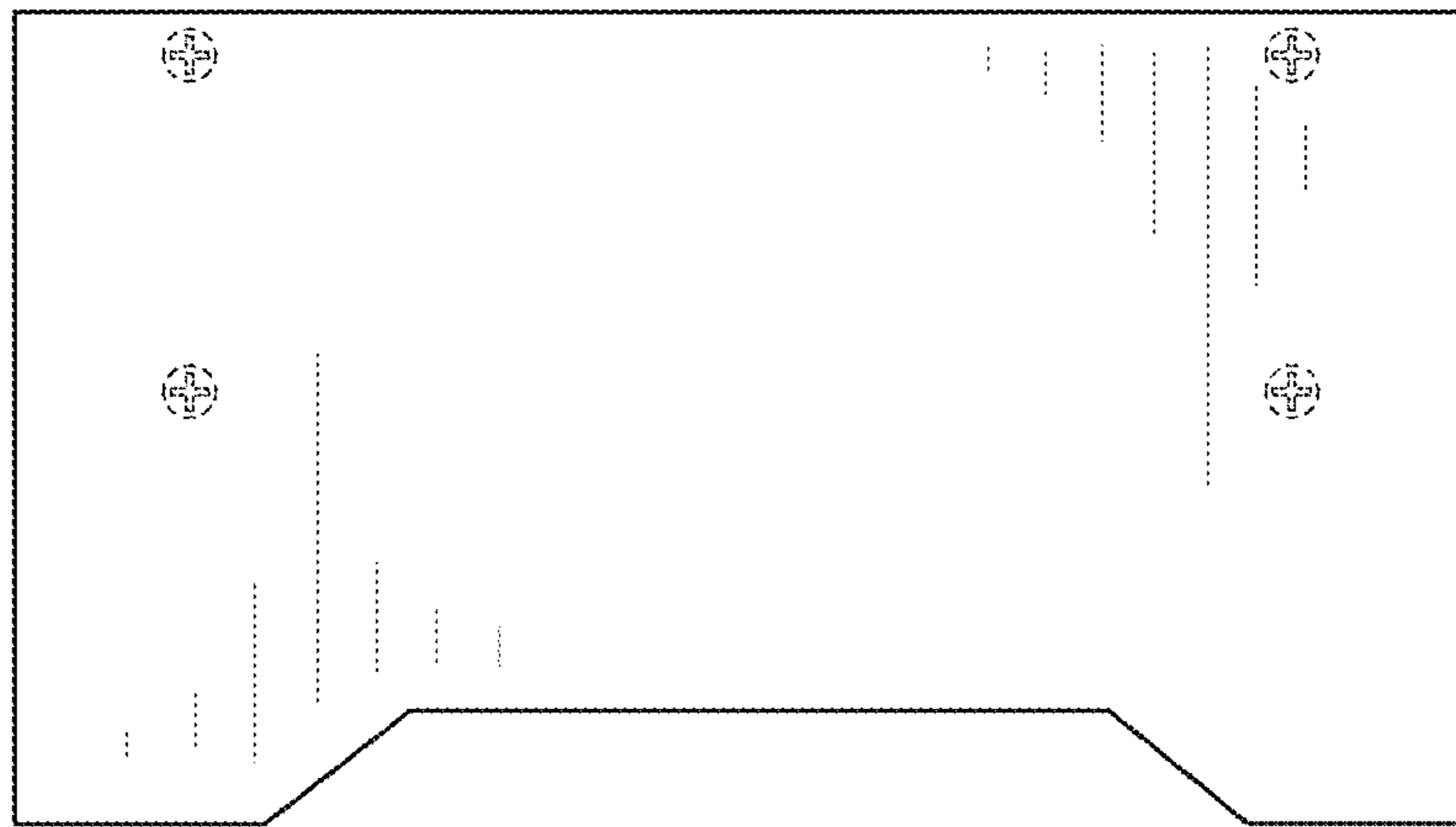


FIG. 4

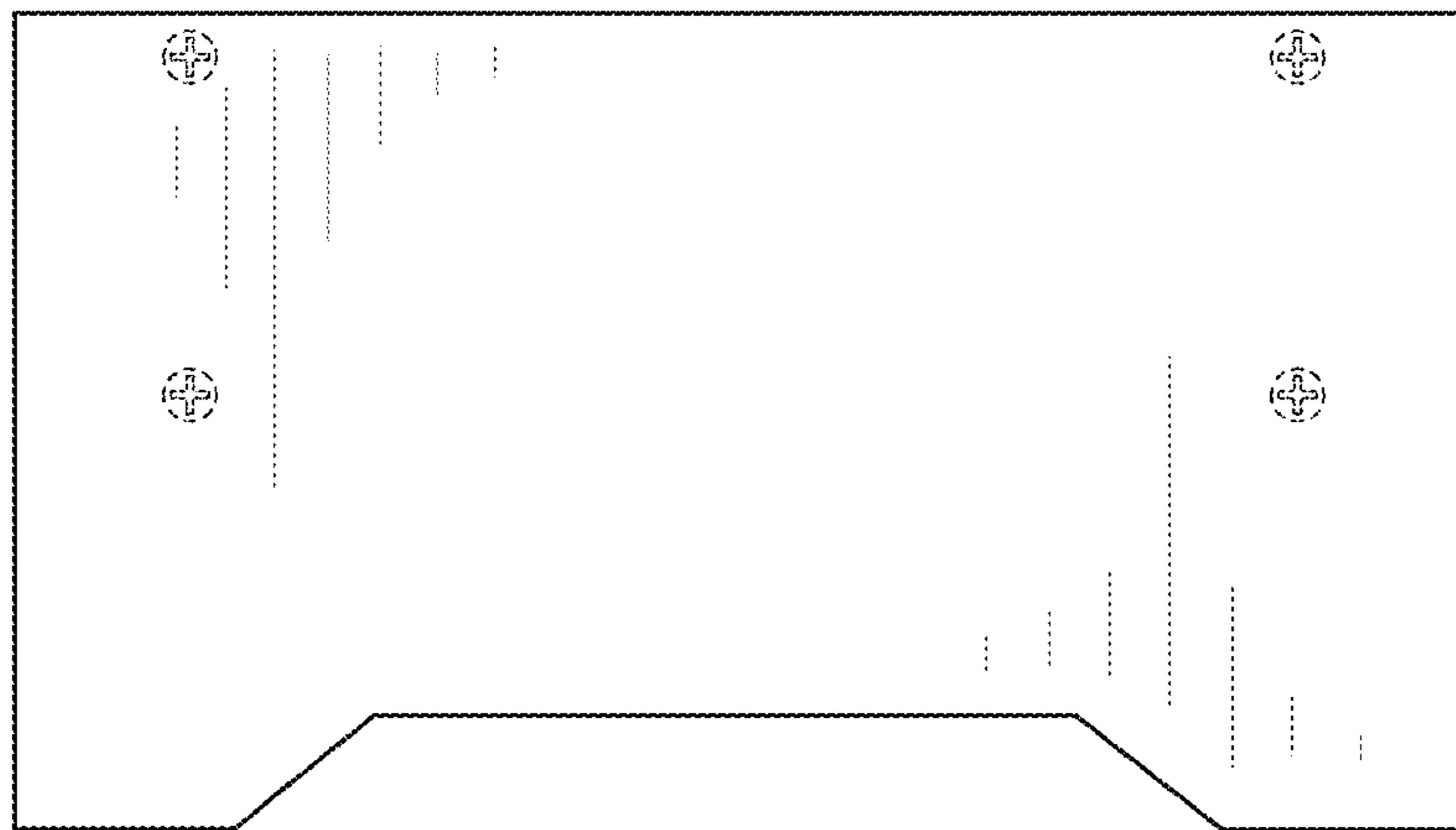


FIG.5

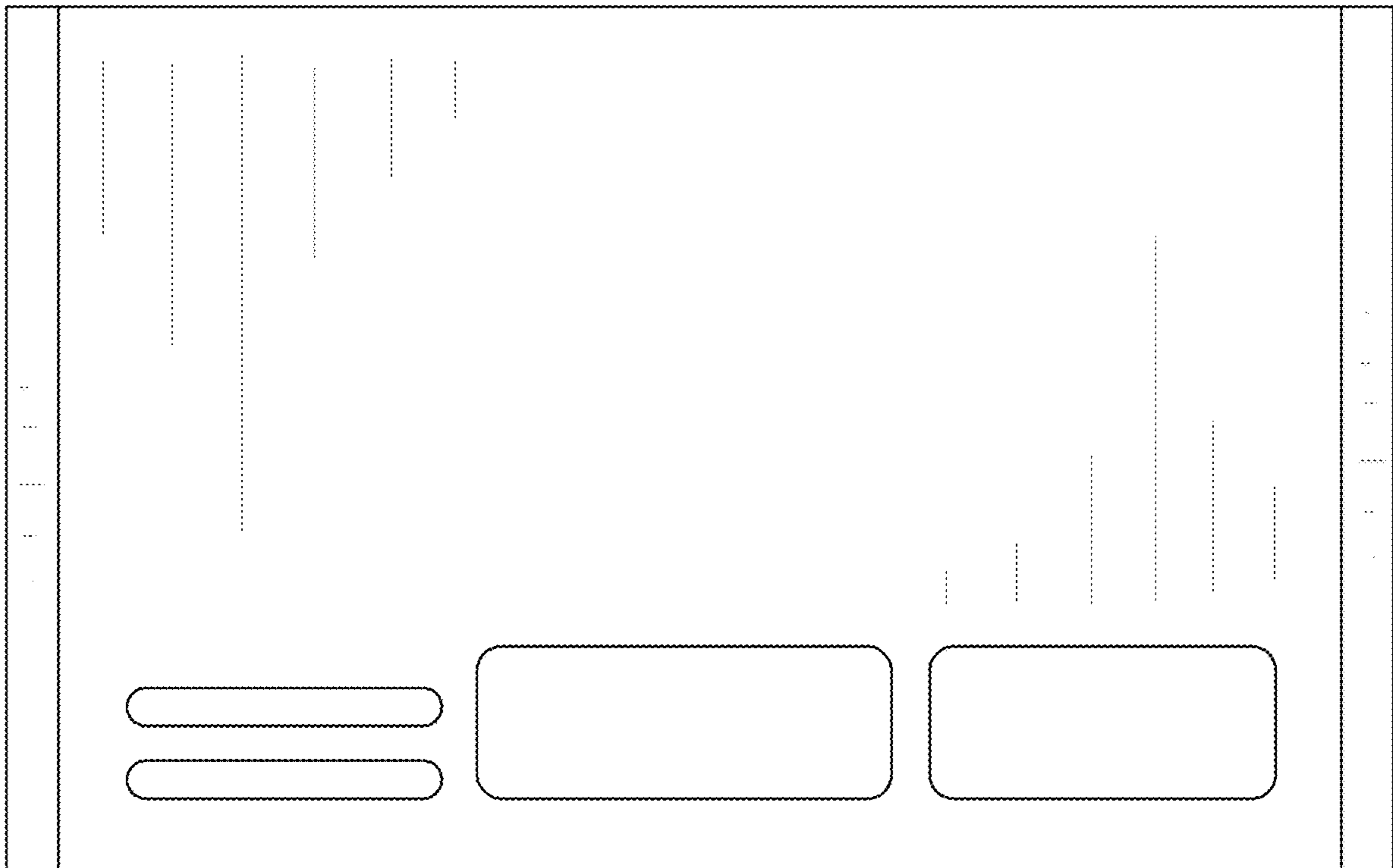


FIG. 6

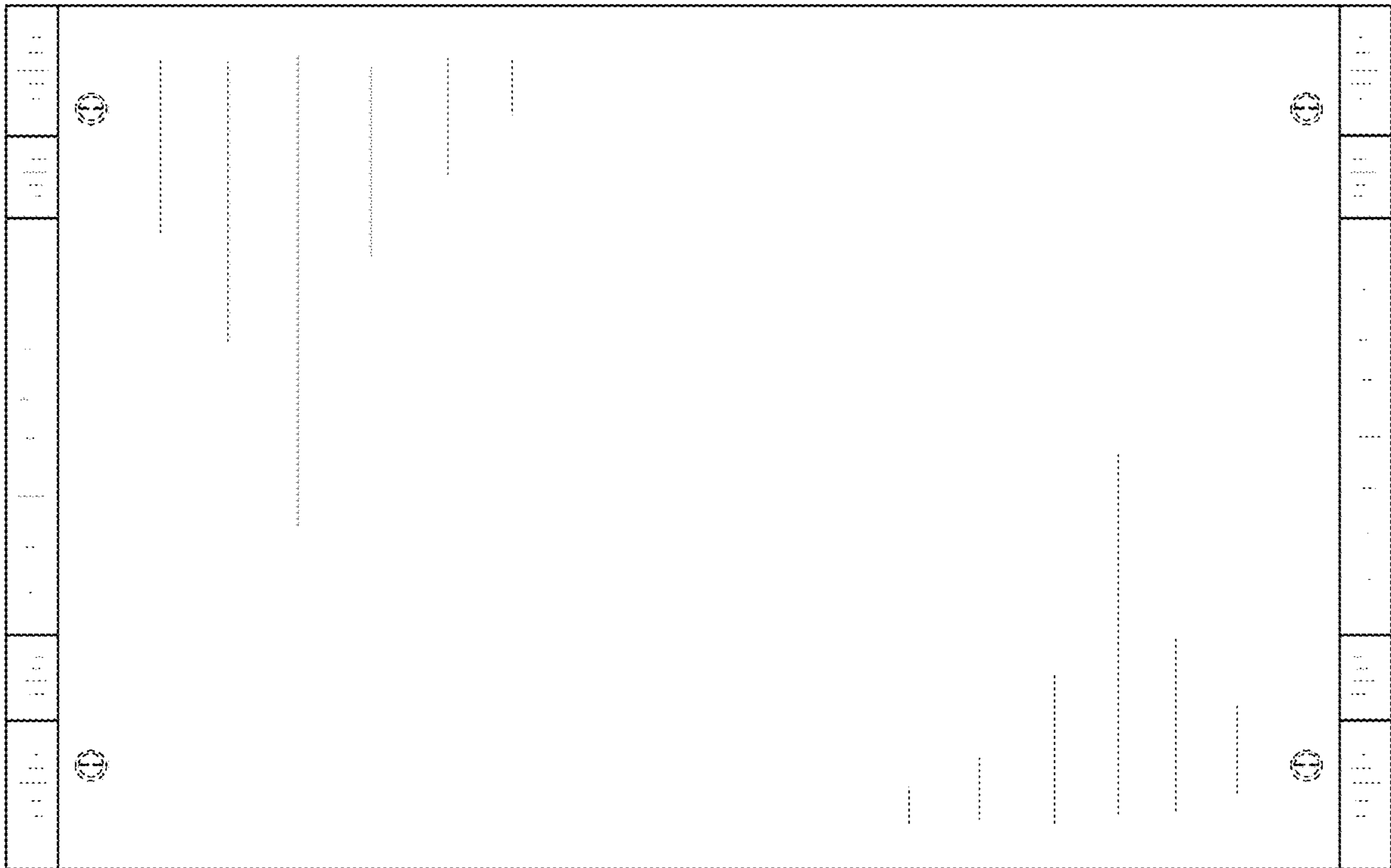


FIG. 7