



US00D915104S

(12) **United States Design Patent**  
**Yang**

(10) **Patent No.:** **US D915,104 S**

(45) **Date of Patent:** **\*\* Apr. 6, 2021**

(54) **CUSHION**

(71) Applicant: **Jingang Yang**, Sichuan (CN)

(72) Inventor: **Jingang Yang**, Sichuan (CN)

(\*\*) Term: **15 Years**

(21) Appl. No.: **29/719,204**

(22) Filed: **Jan. 2, 2020**

(30) **Foreign Application Priority Data**

Nov. 4, 2019 (CN) ..... 201930603230.0

(51) **LOC (13) Cl.** ..... **06-09**

(52) **U.S. Cl.**  
USPC ..... **D6/601**

(58) **Field of Classification Search**

USPC ..... D6/595-601, 604, 606; D24/183, 190;  
D21/803, 809

CPC ..... A47C 20/00; A47C 20/021; A47C 7/742;  
A47C 7/021; A47D 15/001; A47D  
15/008; A47G 9/00; A47G 9/10; B62J  
1/26

See application file for complete search history.

(56) **References Cited**

**U.S. PATENT DOCUMENTS**

4,132,228 A \* 1/1979 Green ..... A47C 7/021  
601/57  
7,216,388 B2 \* 5/2007 Bieganeck ..... A61G 5/1043  
5/653

D700,786 S \* 3/2014 Yeung ..... D6/333  
D775,862 S \* 1/2017 Chen ..... D6/601  
D854,353 S \* 7/2019 Xiang ..... D6/596  
D878,108 S \* 3/2020 Wang ..... D6/601  
D882,297 S \* 4/2020 Yan ..... D6/601  
D885,793 S \* 6/2020 Wang ..... D6/601  
D896,551 S \* 9/2020 Terndrup ..... D6/601  
2012/0068507 A1 \* 3/2012 Debevec ..... A47C 7/021  
297/250.1

\* cited by examiner

*Primary Examiner* — Jennifer L Rempfer

(57) **CLAIM**

The ornamental design for a cushion, as shown.

**DESCRIPTION**

FIG. 1 is a perspective view of a cushion showing my new design;

FIG. 2 is another perspective view thereof;

FIG. 3 is a front elevational view thereof;

FIG. 4 is a rear elevational view thereof;

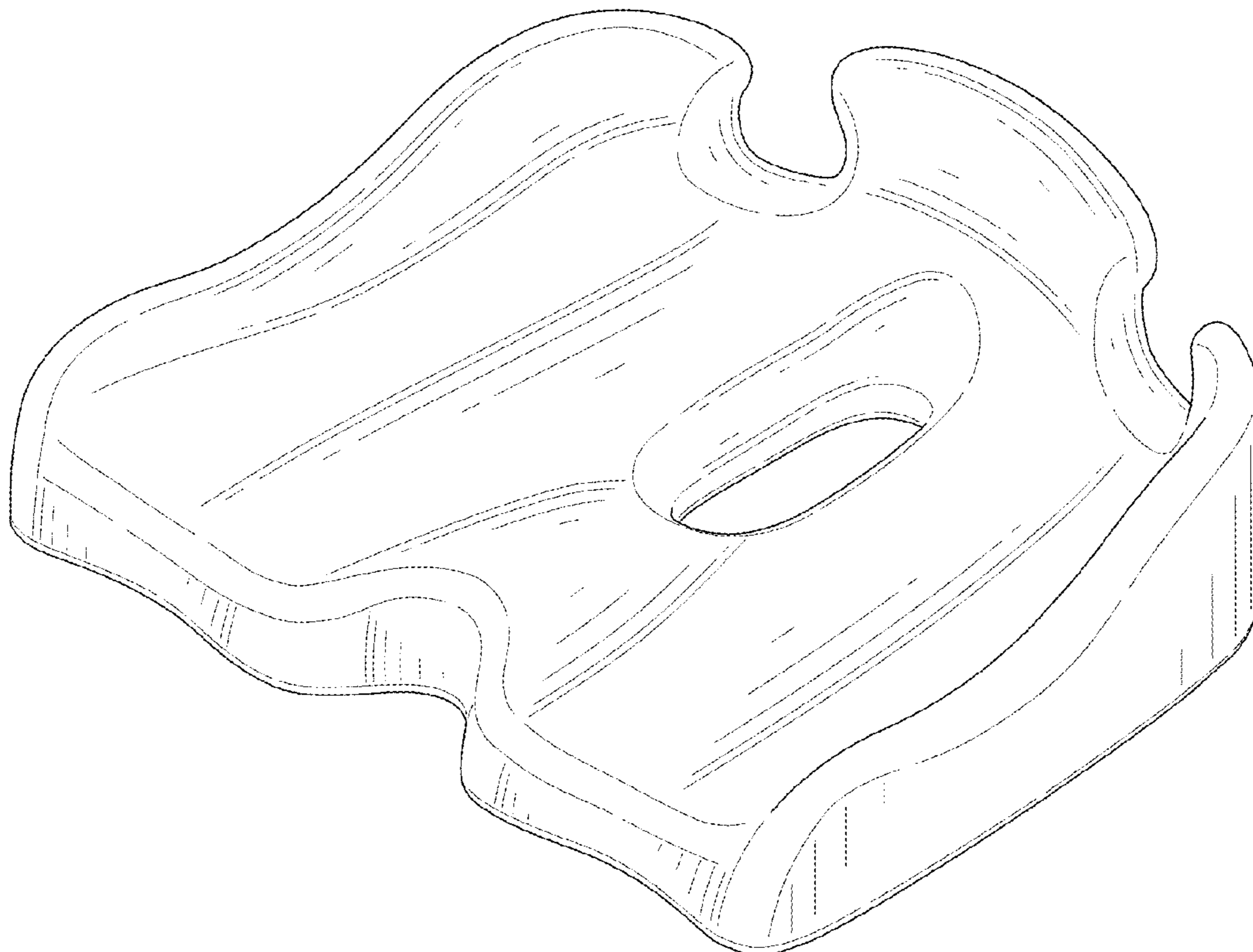
FIG. 5 is a left side view thereof;

FIG. 6 is a right side view thereof;

FIG. 7 is a top plan view thereof; and,

FIG. 8 is a bottom plan view thereof.

**1 Claim, 8 Drawing Sheets**



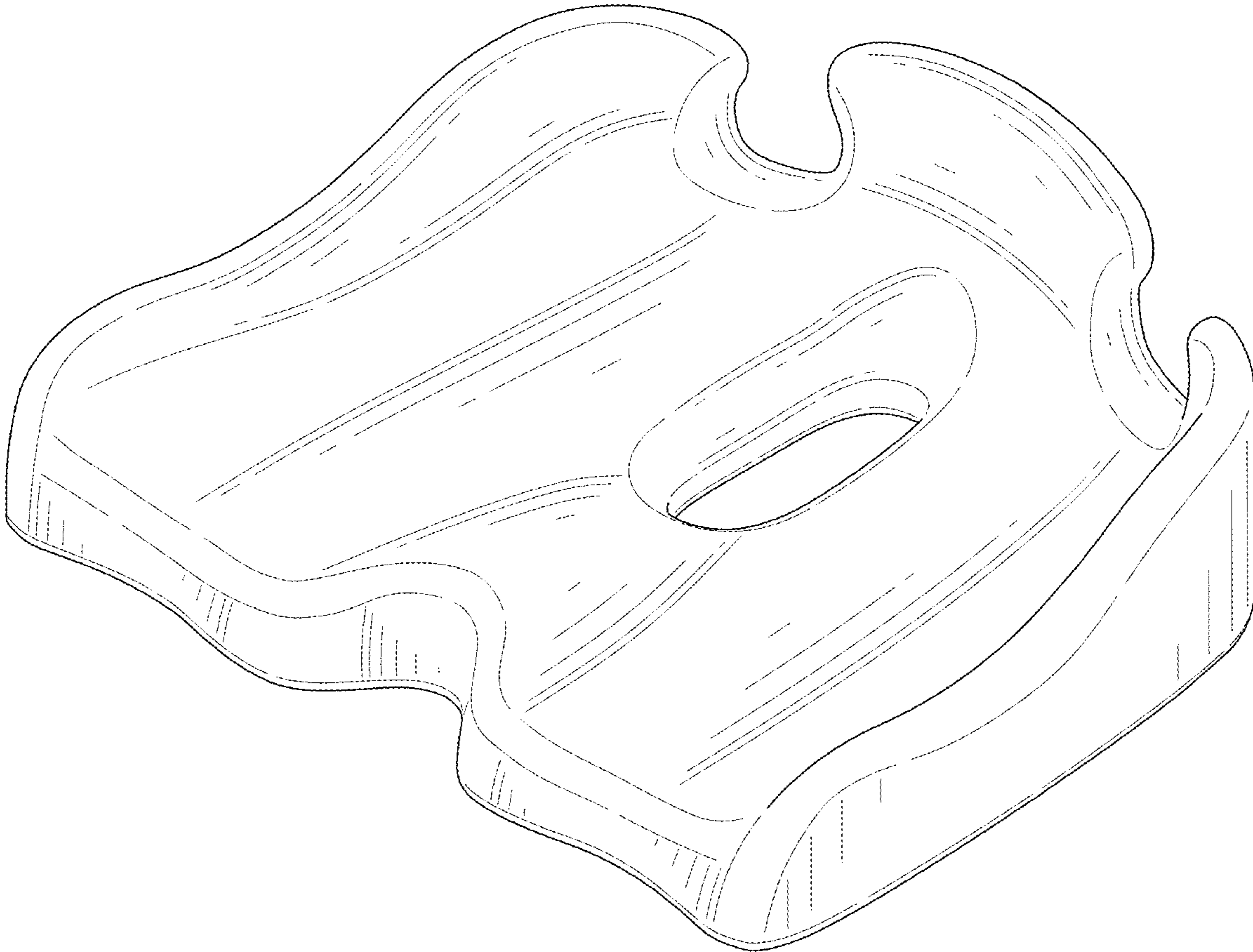


FIG. 1

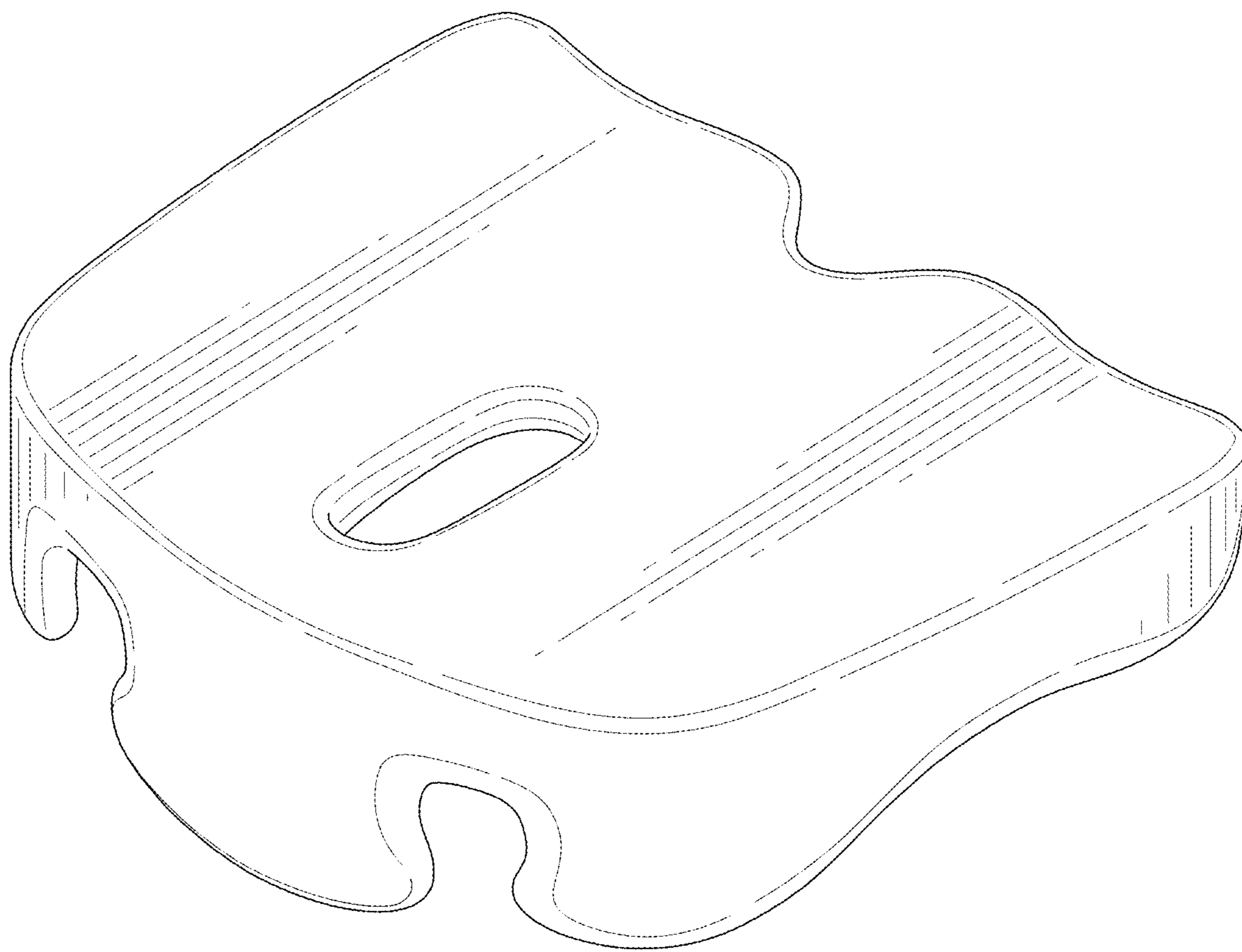


FIG. 2

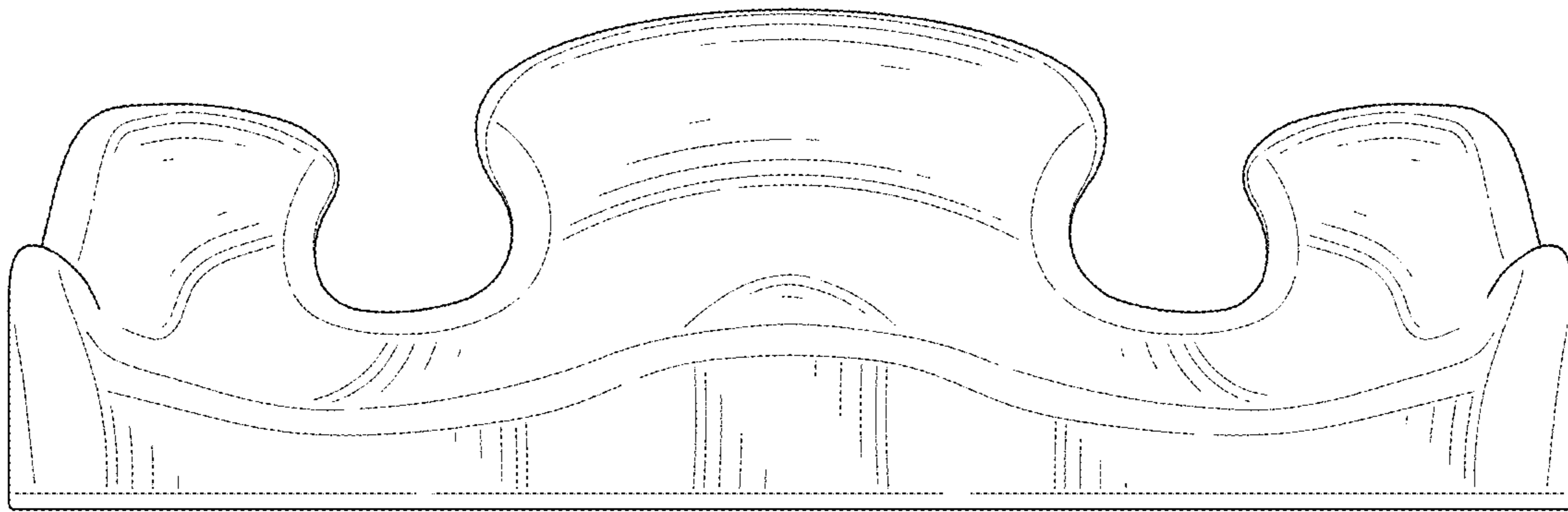


FIG. 3

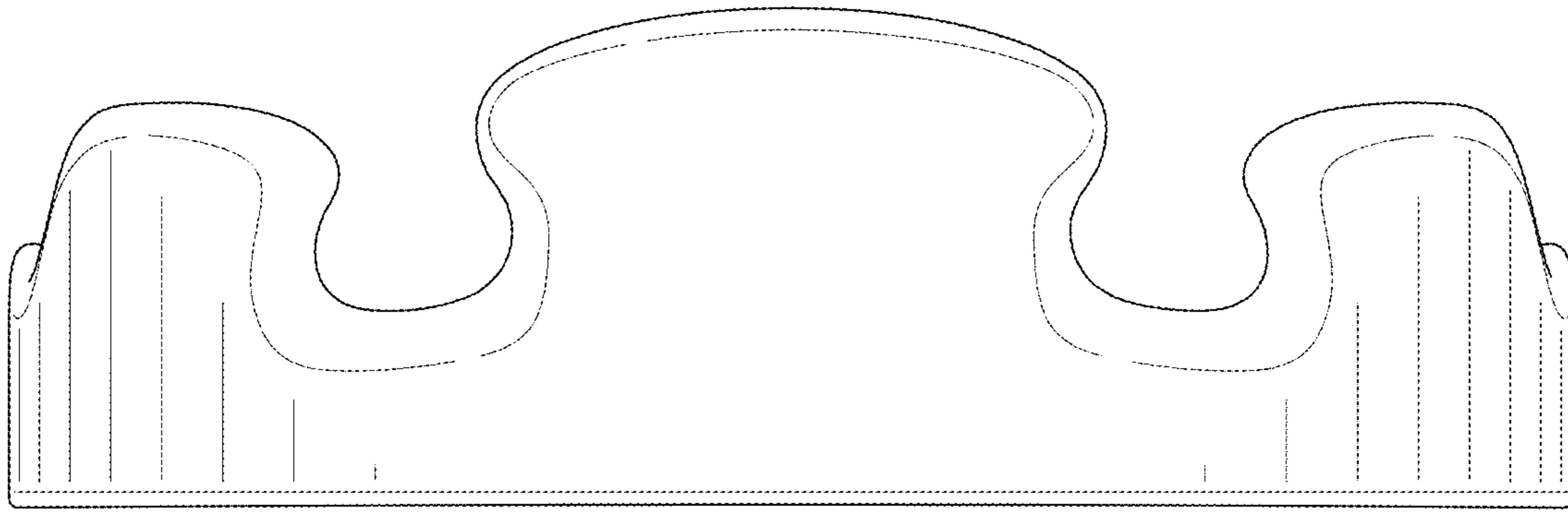


FIG. 4

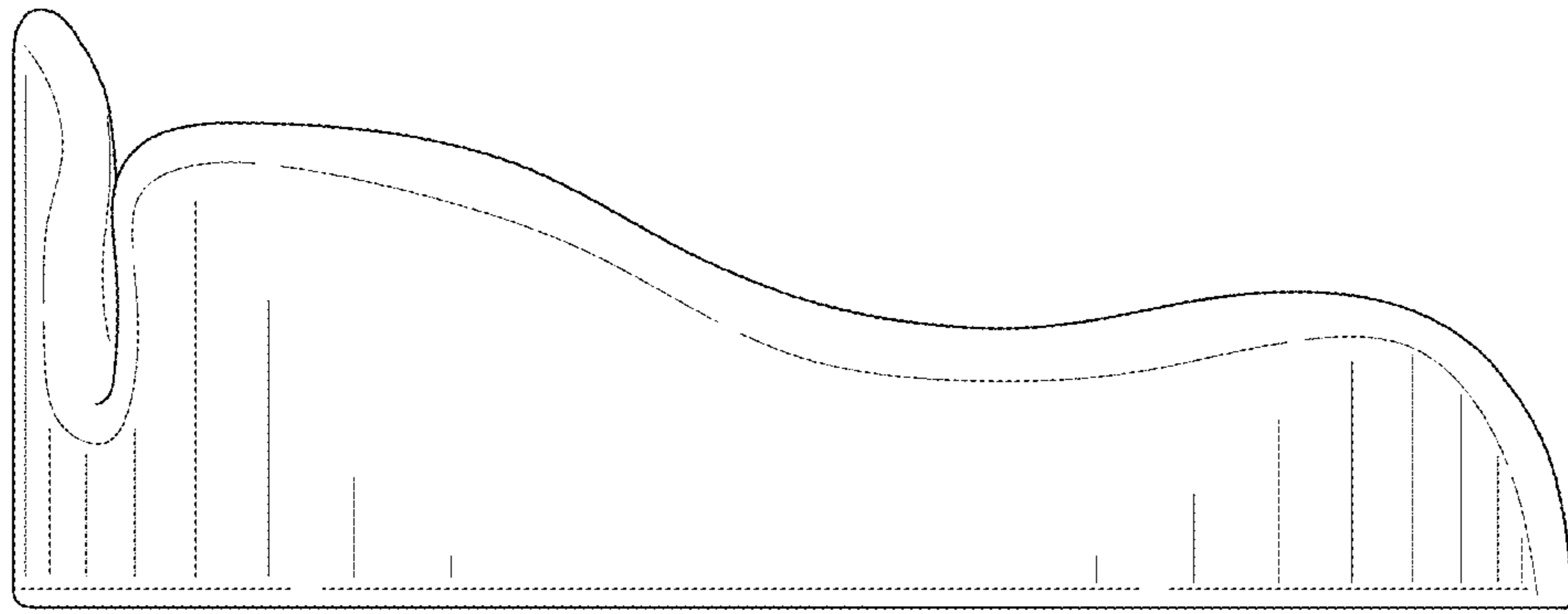


FIG. 5

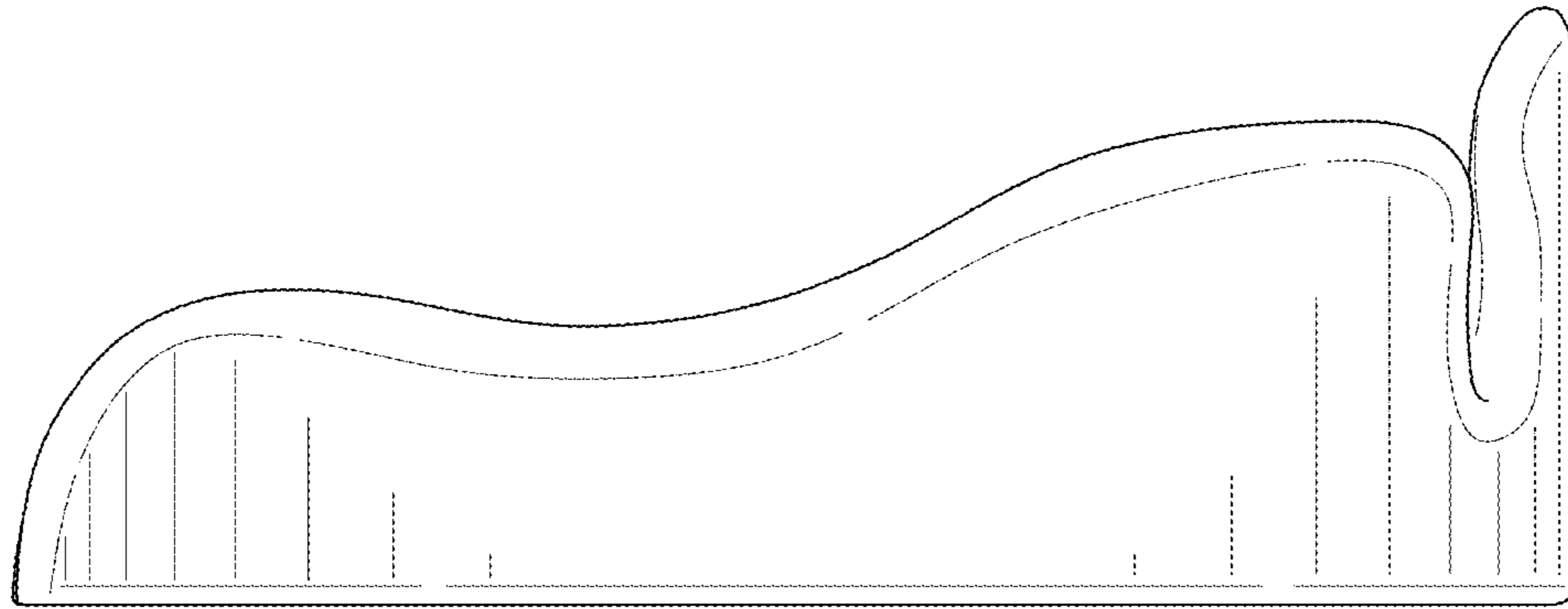


FIG. 6

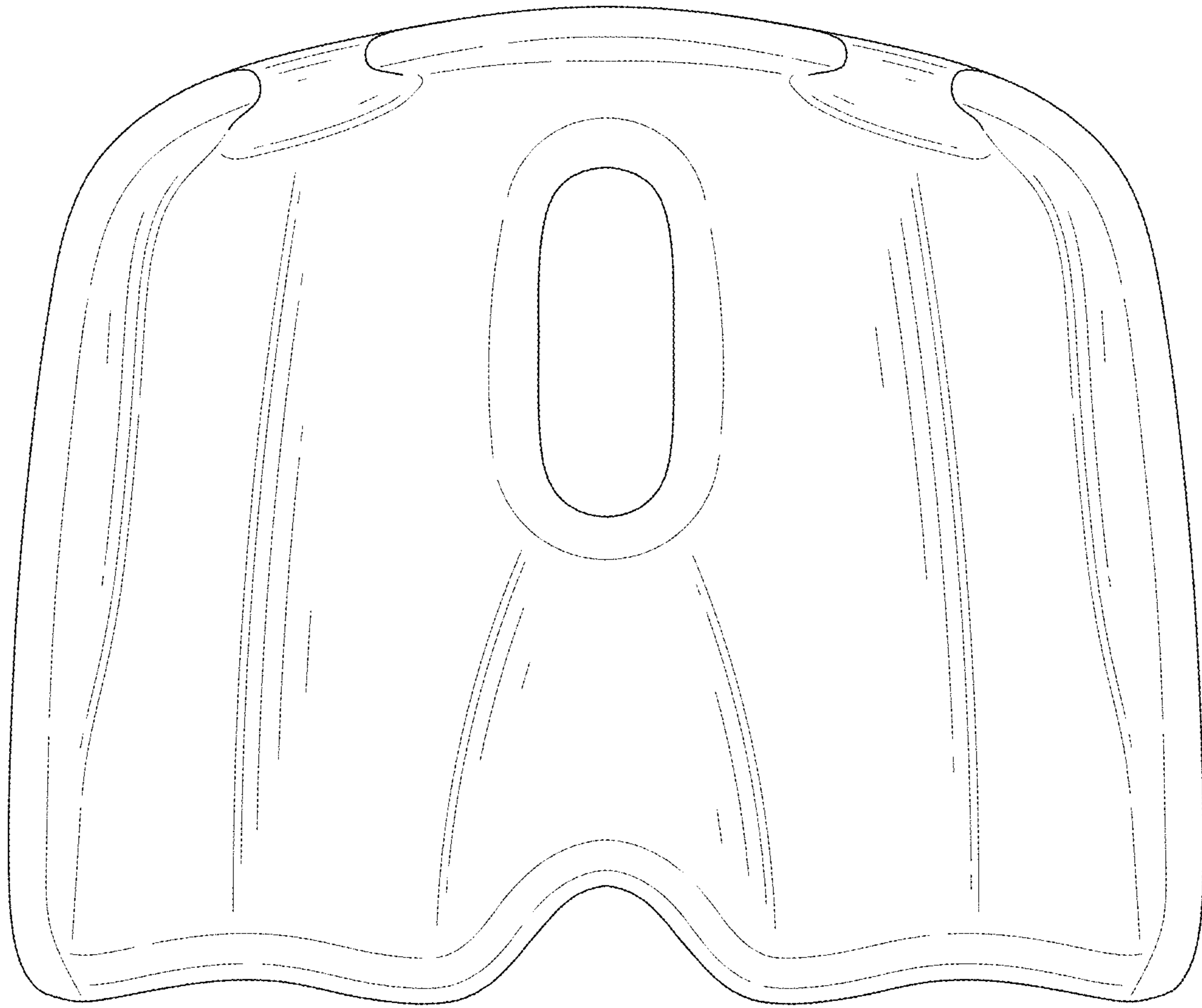


FIG. 7



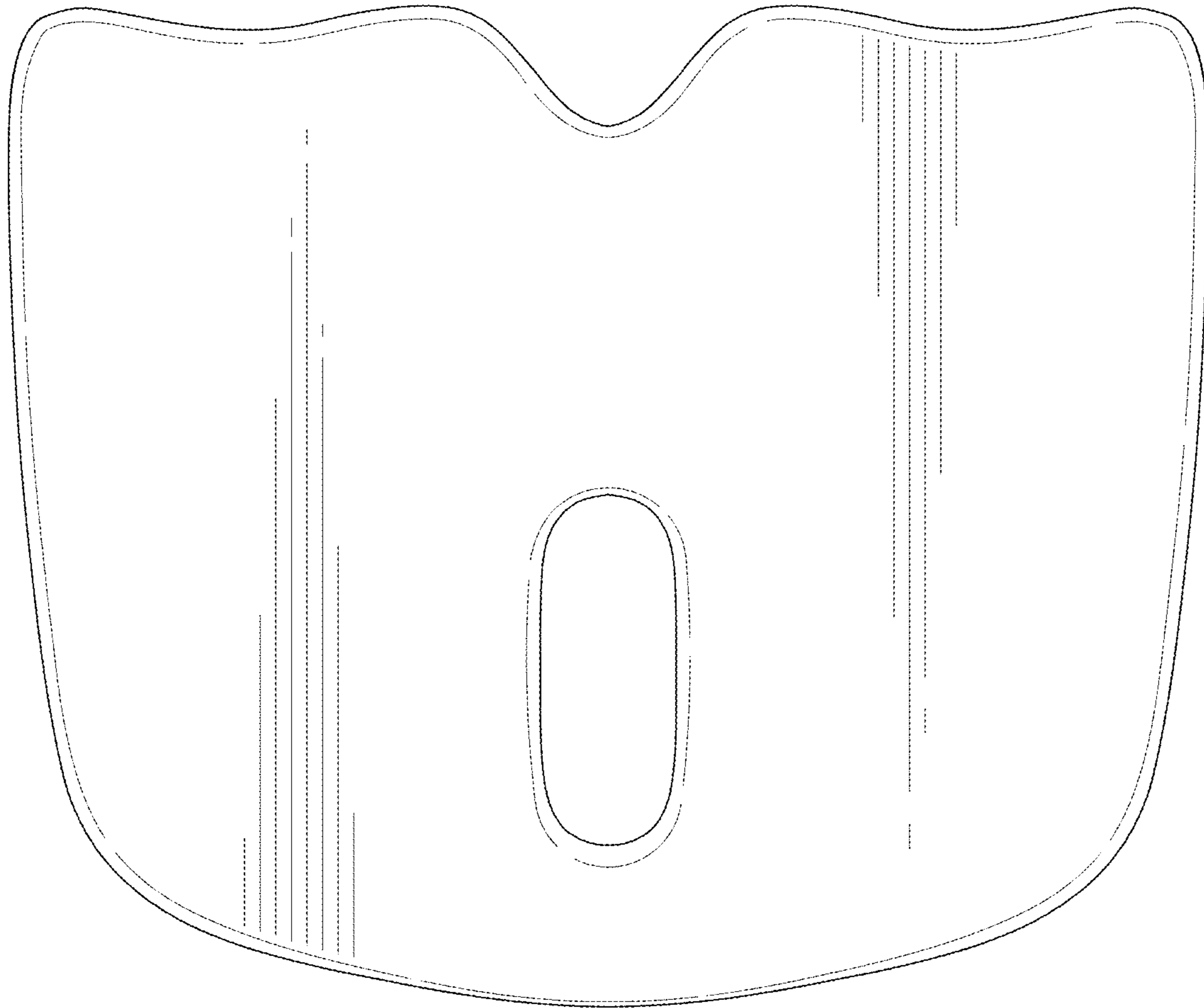


FIG. 8