



US00D915103S

(12) **United States Design Patent**
Peter, II

(10) **Patent No.:** **US D915,103 S**

(45) **Date of Patent:** **** Apr. 6, 2021**

(54) **STORAGE RACK FOR A BICYCLE**

D873,198 S * 1/2020 Pringle D12/223
D890,599 S * 7/2020 Masser D8/380

(71) Applicant: **Robert B. Peter, II**, Rochester, NY
(US)

* cited by examiner

(72) Inventor: **Robert B. Peter, II**, Rochester, NY
(US)

Primary Examiner — Mark Booker

(74) *Attorney, Agent, or Firm* — Hodgson Russ LLP

(**) Term: **15 Years**

(57) **CLAIM**

(21) Appl. No.: **29/695,144**

The ornamental design for a storage rack for a bicycle, as shown and described.

(22) Filed: **Jun. 17, 2019**

(51) **LOC (13) Cl.** **08-10**

(52) **U.S. Cl.**
USPC **D6/552**

DESCRIPTION

(58) **Field of Classification Search**
USPC D6/552; D12/115; 211/7, 8, 18, 85.7,
211/86.01, 87.01, 106.01, 117, FOR. 102;
D8/354, 373; 248/224.8, 220.21, 304,
248/225.11, 691
CPC B62H 3/02; E05B 71/00; E05Y 2900/20;
E05Y 2900/132; E05Y 2900/531; E05D
7/0407; E05D 7/0423
See application file for complete search history.

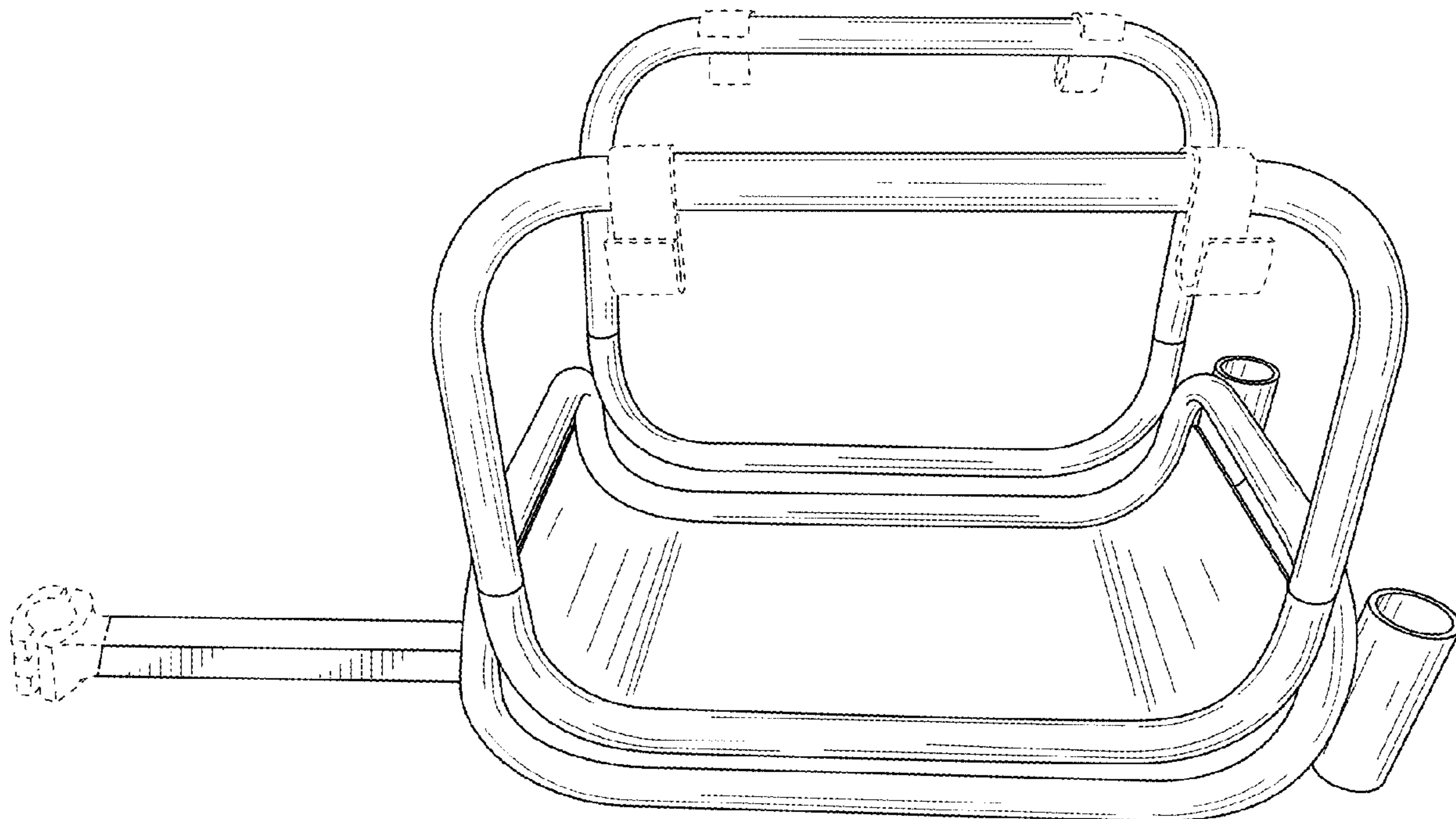
FIG. 1 is a perspective view of a storage rack for a bicycle;
FIG. 2 is a right side elevation view thereof;
FIG. 3 is a left side elevation view thereof;
FIG. 4 is a top plan view thereof;
FIG. 5 is a bottom plan view thereof;
FIG. 6 is a front elevation view thereof;
FIG. 7 is a rear elevation view thereof; and,
FIG. 8 is another perspective view thereof, showing the side
racks of the storage rack for a bicycle removed.
The short dash-short dash lines depict portions of the device
that form no part of the claim. The long dash-short dash lines
indicate a surface boundary of the device.

(56) **References Cited**

U.S. PATENT DOCUMENTS

D792,720 S * 7/2017 Lang D6/552

1 Claim, 7 Drawing Sheets



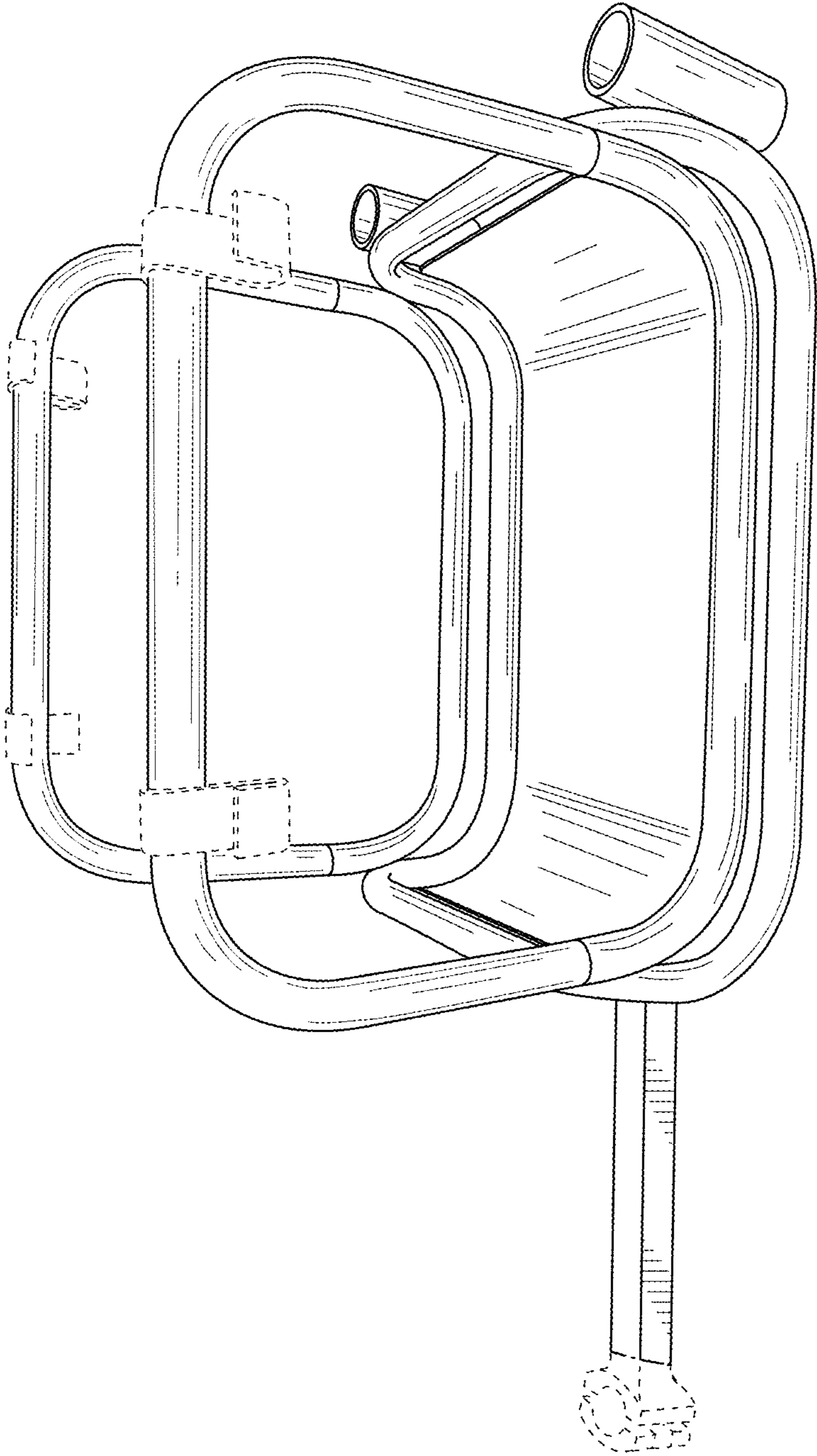


FIG. 1

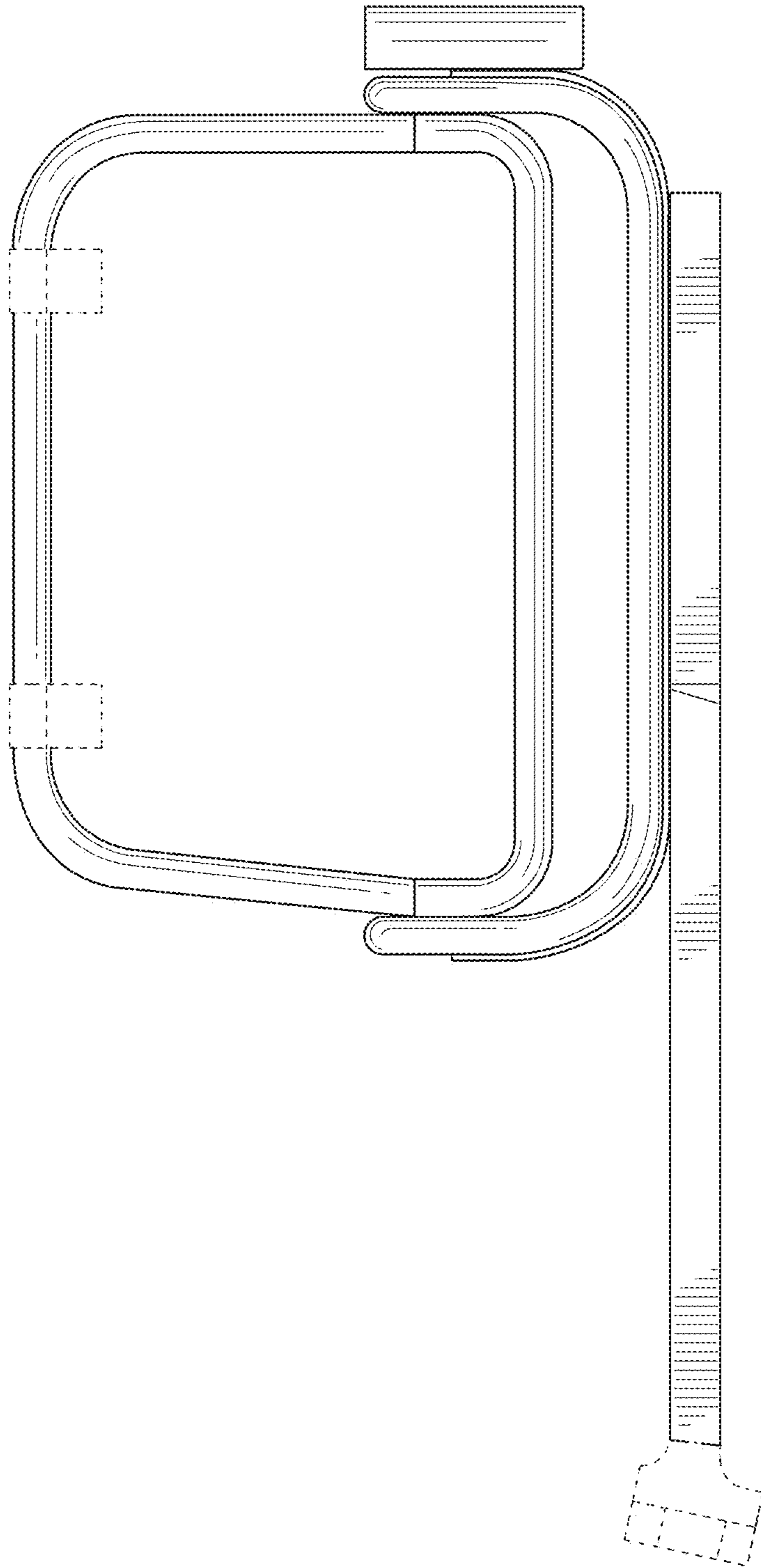


FIG. 2

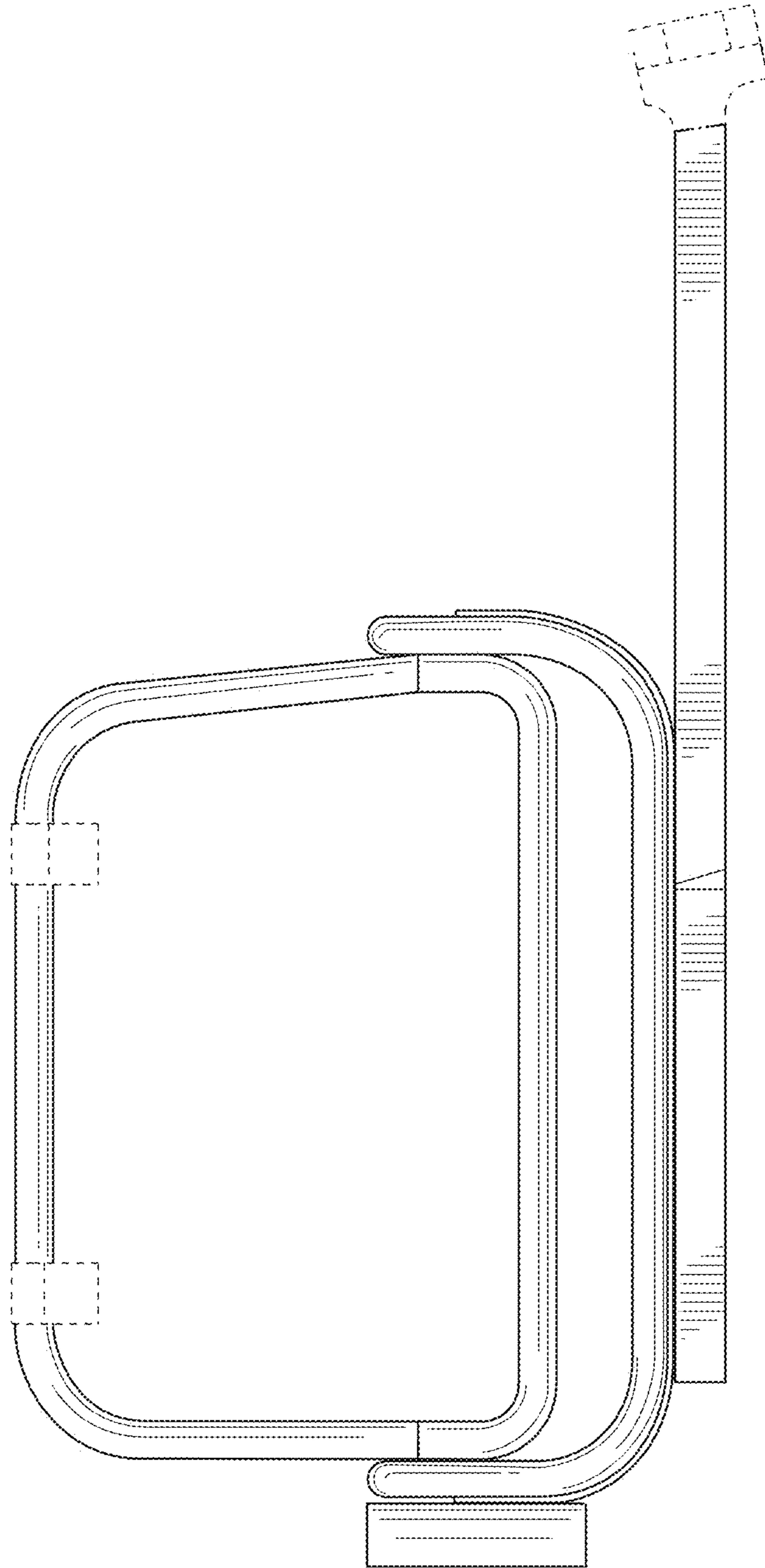


FIG. 3

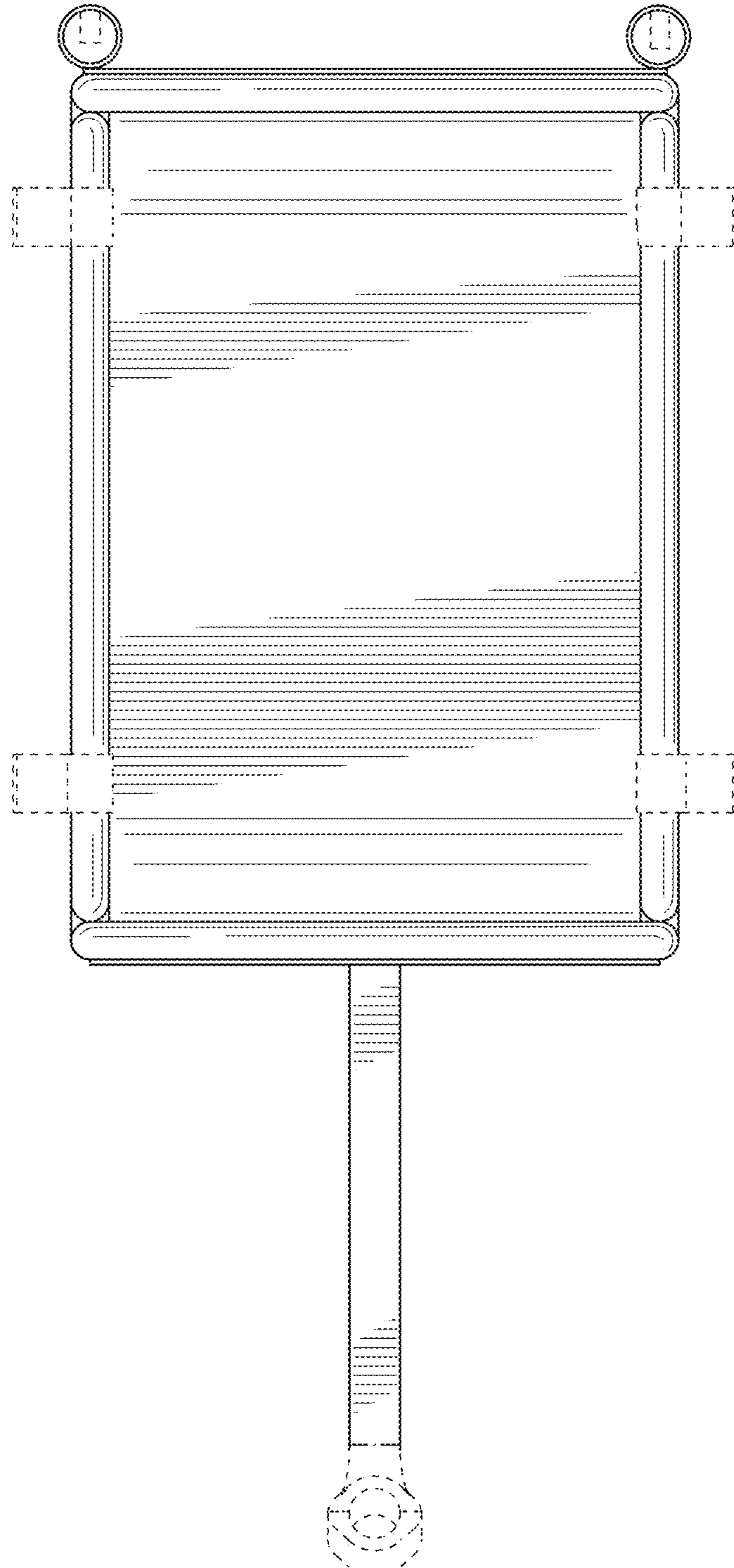


FIG. 4

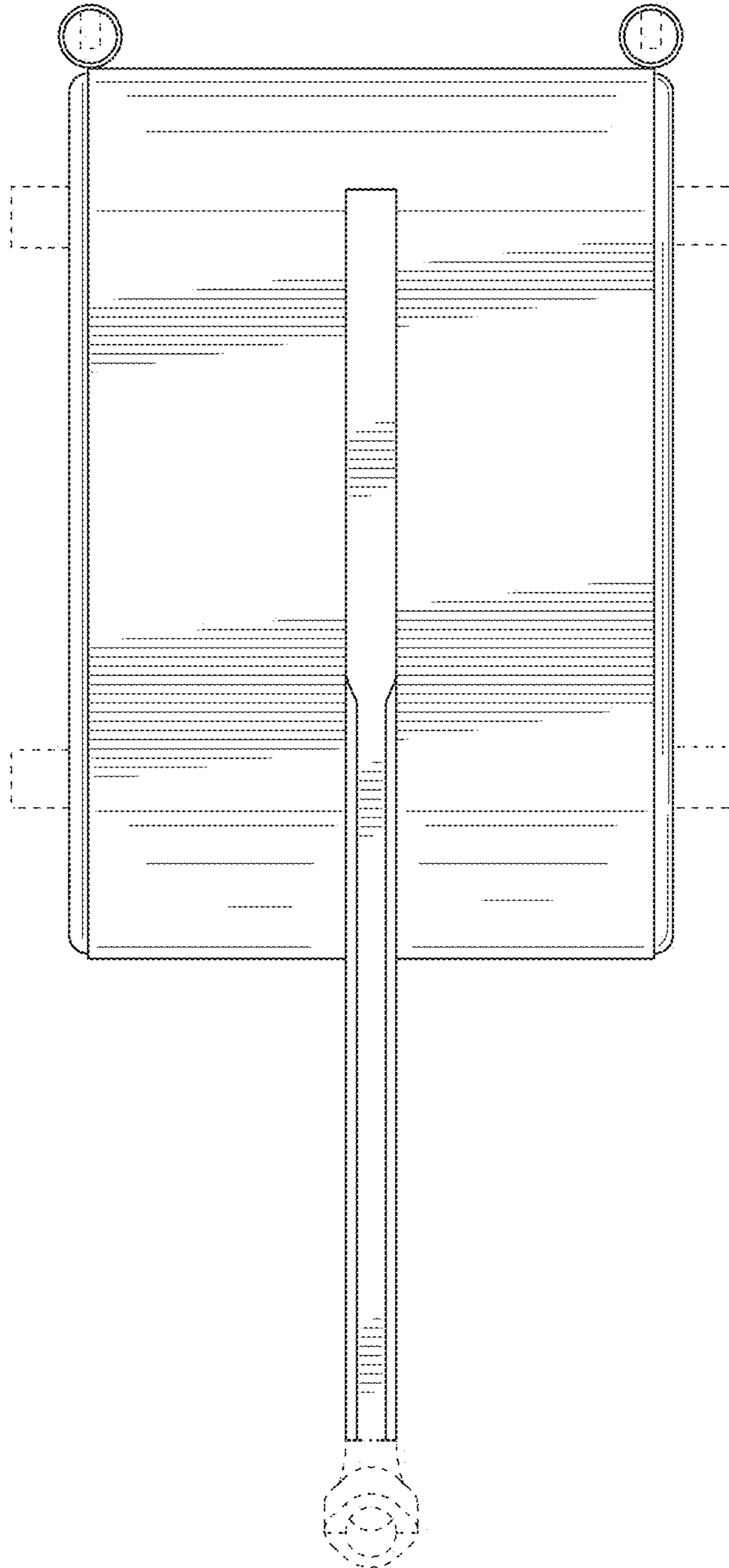


FIG. 5

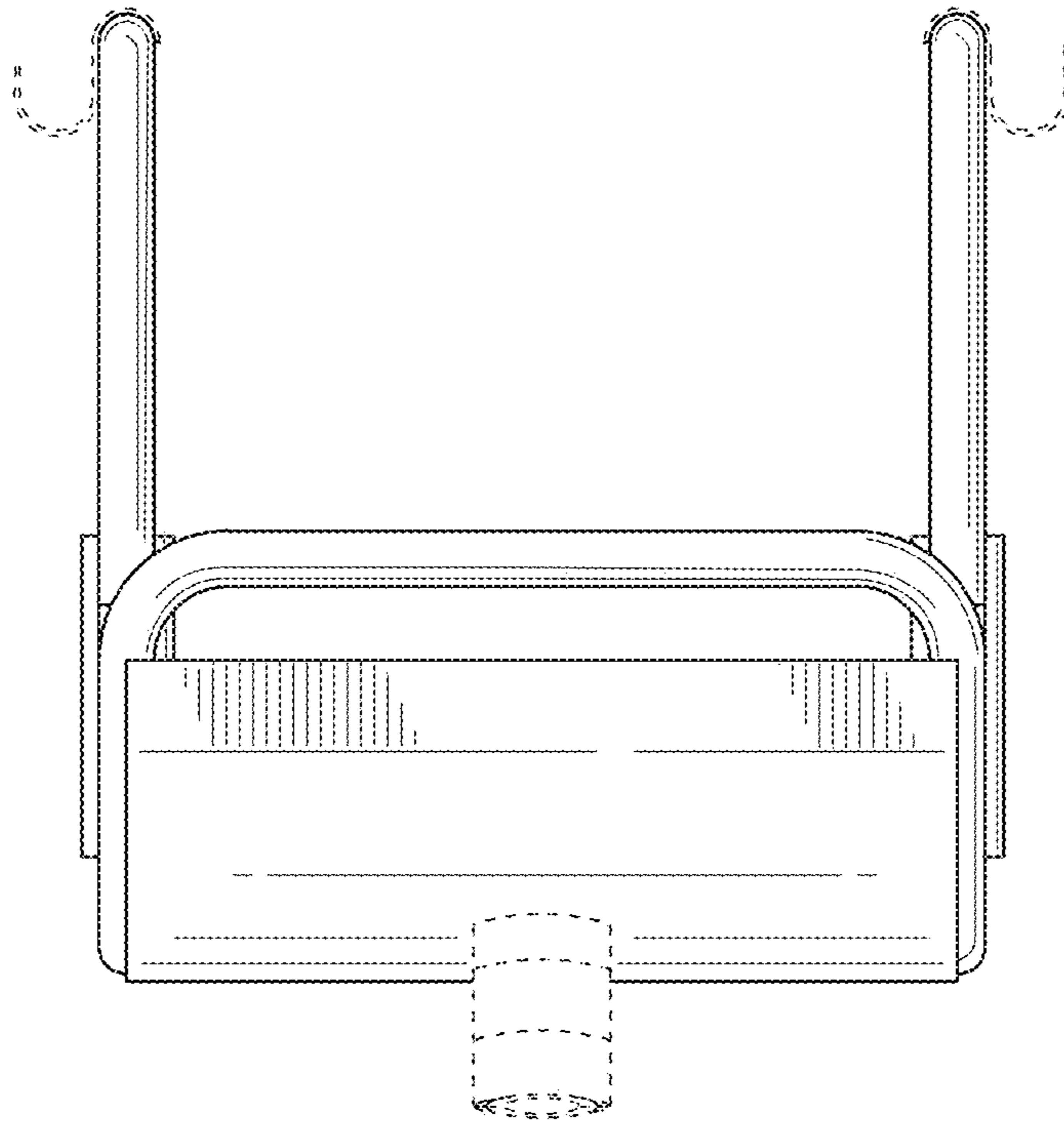


FIG. 6

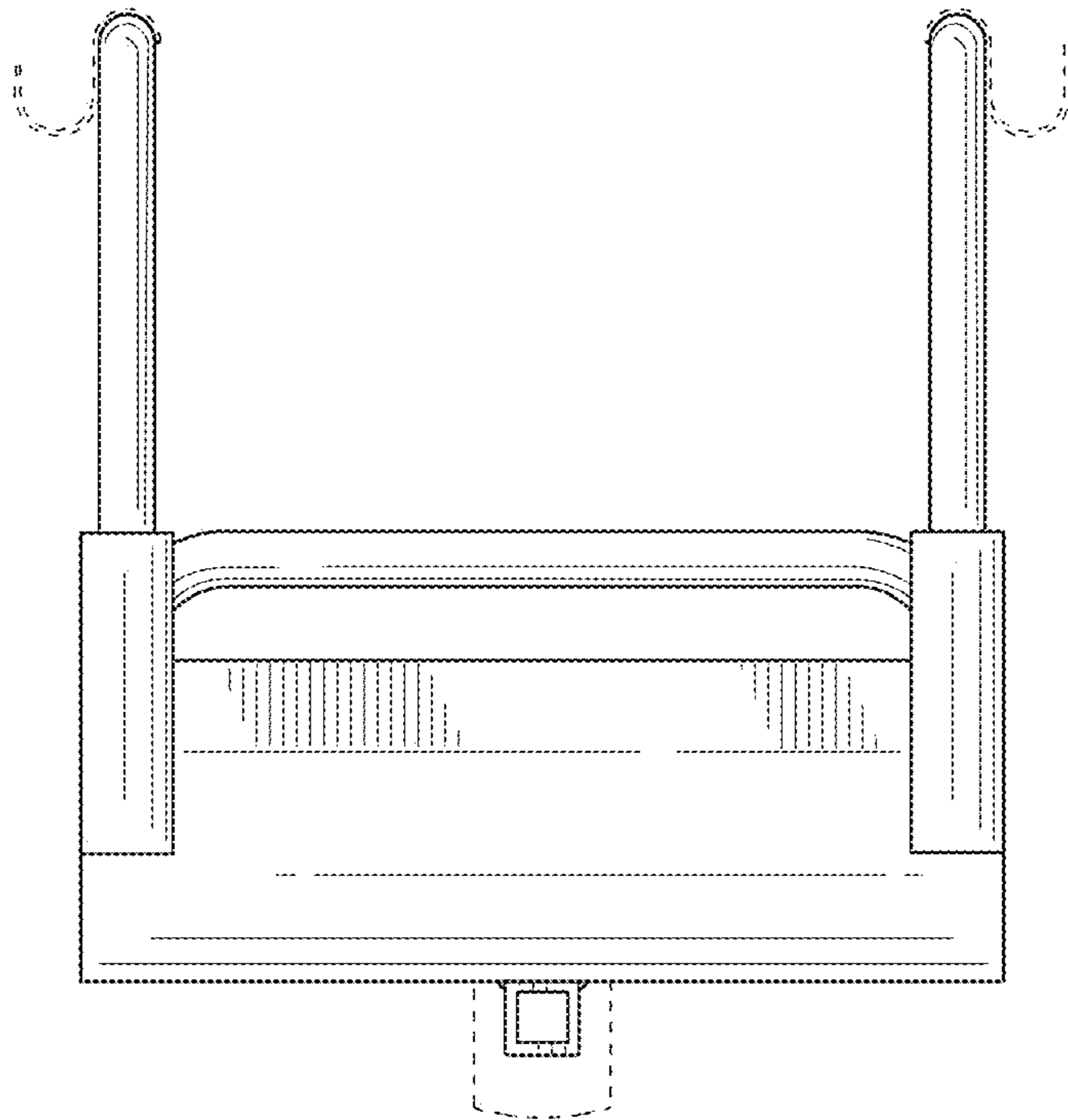


FIG. 7

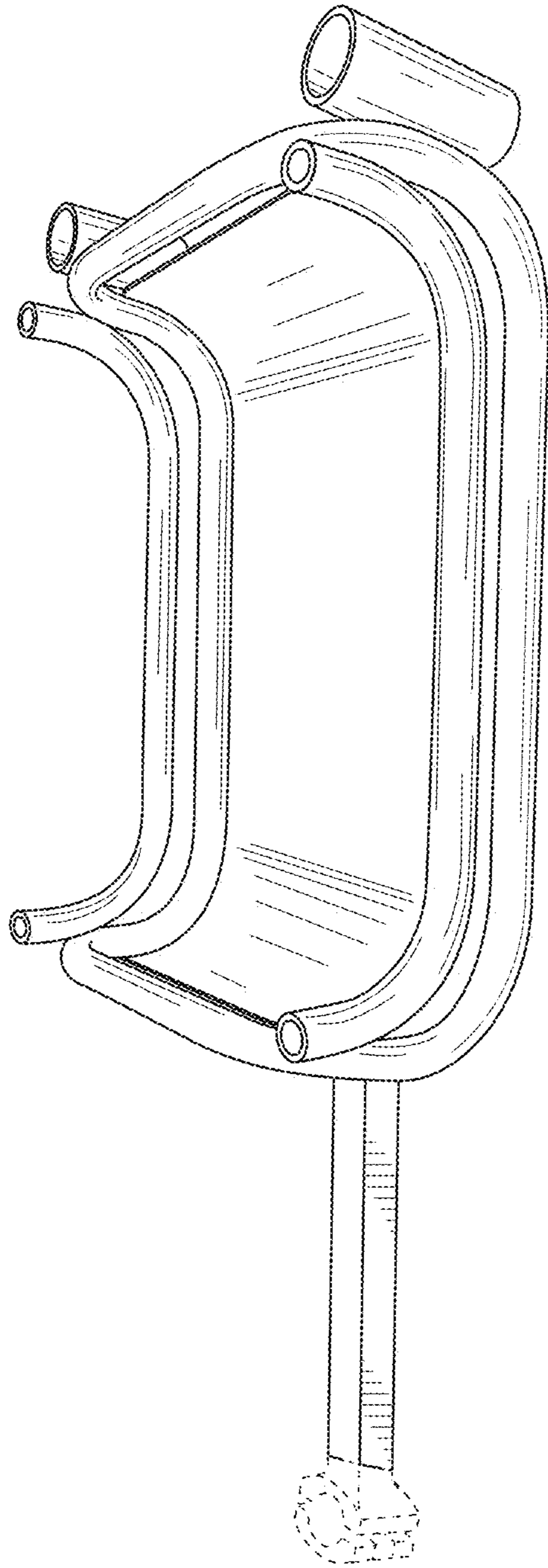


FIG. 8