



US00D915102S

(12) **United States Design Patent** (10) **Patent No.:** **US D915,102 S**  
**Sina et al.** (45) **Date of Patent:** **\*\* Apr. 6, 2021**

(54) **TOWEL RING**

(71) Applicant: **Lulight Shop, Inc.**, Morton Grove, IL (US)

(72) Inventors: **Lucian Vasile Sina**, Morton Grove, IL (US); **Ema Luana Sina**, Morton Grove, IL (US)

(\*\*) Term: **15 Years**

(21) Appl. No.: **29/696,685**

(22) Filed: **Jun. 28, 2019**

(51) **LOC (13) Cl.** ..... **06-04**

(52) **U.S. Cl.**  
USPC ..... **D6/546**

(58) **Field of Classification Search**

USPC ..... D6/546–550, 518–524; 211/13.1, 16, 211/85.5, 86.01, 87.01, 88.04, 110, 105.1, 211/105.2, 106, 113, 123, 181.1, 211/182–183; 248/49, 175, 176.1, 200, 248/201, 205.1, 251, 302, 309.1, 315; D8/300, 370, 315; 108/28–29; 242/570, 242/590, 595–598

CPC ..... A47K 10/04; A47K 10/00  
See application file for complete search history.

(56) **References Cited**

**U.S. PATENT DOCUMENTS**

D259,754 S *	7/1981	Fleischmann	.....	D6/546
4,907,771 A *	3/1990	Wang	.....	A47G 25/06 248/222.14
D357,378 S *	4/1995	Lehn	.....	D6/546
D357,838 S *	5/1995	Lehn	.....	D6/546
D357,839 S *	5/1995	Lehn	.....	D6/546
D360,792 S *	8/1995	Sharpe	.....	D6/546
D388,271 S *	12/1997	Moore	.....	D6/546
D409,030 S *	5/1999	Sweetman	.....	D6/546
D417,994 S *	12/1999	Roth	.....	D6/546
D450,509 S *	11/2001	Gottwald	.....	D6/546
D461,672 S *	8/2002	Zhao	.....	D6/546

(Continued)

**OTHER PUBLICATIONS**

Etsy.com Hand Towel Ring, Bathroom Decor, Towel Ring, Modern Towel Holder by Lulight, Oct. 6, 2018, <https://www.etsy.com/listing/586293095/hand-towel-ring-bathroom-decor-towel> (Year: 2018).\*

(Continued)

*Primary Examiner* — Nathan M Johnston

(74) *Attorney, Agent, or Firm* — Benjamin D. Rotman; Golan Christie Taglia LLP

(57) **CLAIM**

The ornamental design for a towel ring, as shown and described.

**DESCRIPTION**

FIG. 1 is a front perspective view of a towel ring in accordance with the invention with decorative indicia shown in broken lines;

FIG. 2 is a left view of FIG. 1 with decorative indicia shown in broken lines;

FIG. 3 is a right view of FIG. 1 with decorative indicia shown in broken lines;

FIG. 4 is a bottom view of FIG. 1 with decorative indicia shown in broken lines;

FIG. 5 is a top view of FIG. 1 with decorative indicia shown in broken lines;

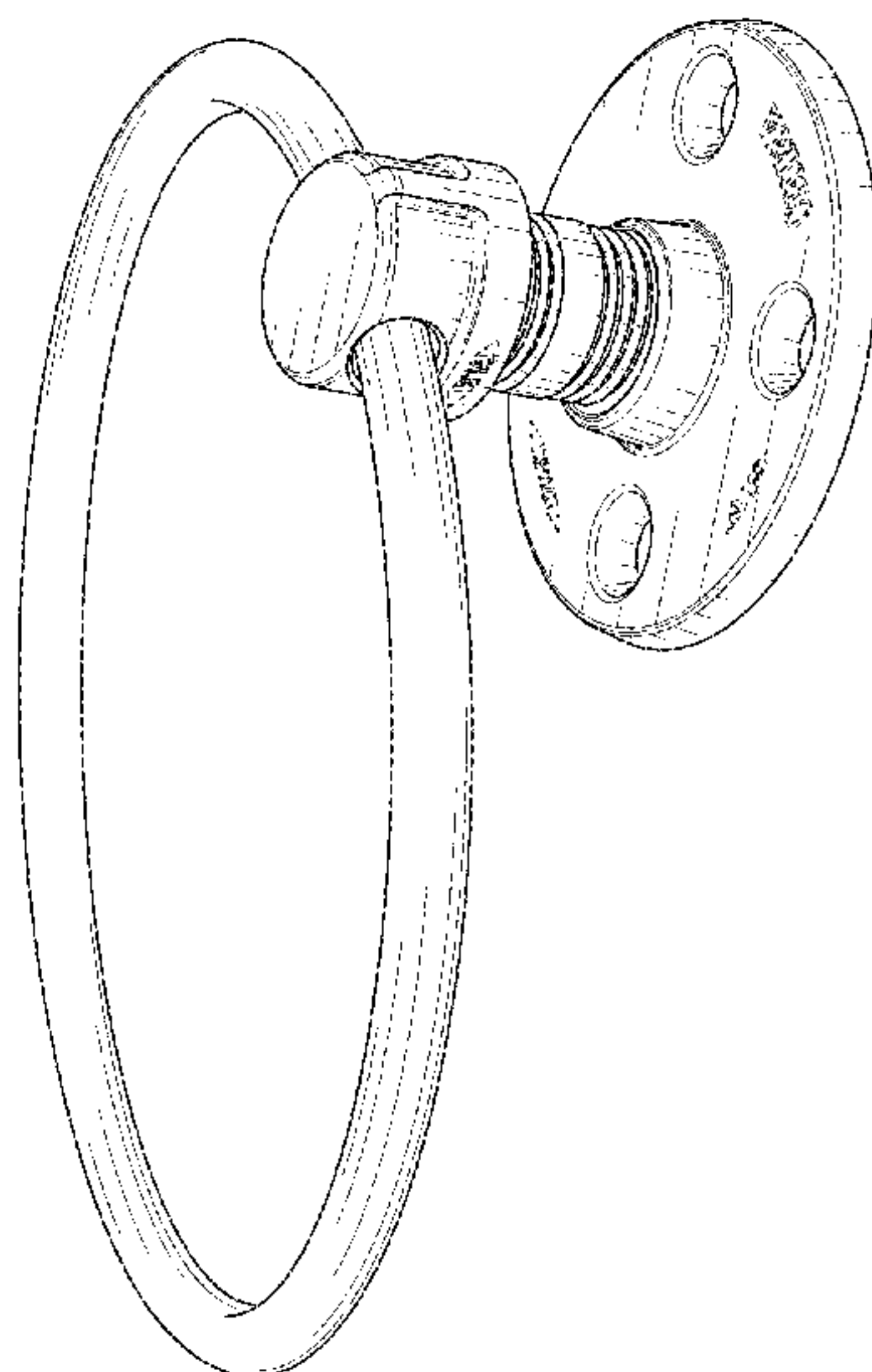
FIG. 6 is a front view of FIG. 1 with decorative indicia shown in broken lines; and,

FIG. 7 is a back view of FIG. 1 with a receiving bore shown in broken lines.

The dashed lines immediately adjacent to the shaded areas in the figures represent the boundaries of the claimed design.

The dashed lines in the figures illustrate the portions of the design that form no part of the claimed design. None of the broken lines form any part of the claimed design.

**1 Claim, 7 Drawing Sheets**



(56)

**References Cited**

U.S. PATENT DOCUMENTS

D464,832 S \* 10/2002 Moore ..... D6/546  
D465,368 S \* 11/2002 Moore ..... D6/546  
D477,735 S \* 7/2003 Solowiej ..... D6/546  
D484,722 S \* 1/2004 Goodman ..... D6/546  
D505,819 S \* 6/2005 Hoernig ..... D6/546  
D512,593 S \* 12/2005 Ferrer Beltran ..... D6/546  
D513,459 S \* 1/2006 Ferrer Beltran ..... D6/546  
D540,085 S \* 4/2007 Krumpe ..... D6/546  
D577,938 S \* 10/2008 Krumpe ..... D6/546  
D600,481 S \* 9/2009 Yoo ..... D6/546  
D600,960 S \* 9/2009 Krumpe ..... D6/546  
D850,149 S \* 6/2019 Kuc ..... D6/546  
D850,150 S \* 6/2019 Kuc ..... D6/546  
2004/0265535 A1 \* 12/2004 Chen ..... A47K 10/04  
428/99  
2017/0343205 A1 \* 11/2017 Heuer ..... F21V 23/0464

OTHER PUBLICATIONS

Etsy.com, Industrial Pip Towel Ring with Rustic Distressed Wood—  
Different color by RusticFox Workshop, Oct. 28, 2020, <https://www.etsy.com/listing/749483513/industrial-pipe-towel-ring-with-rustic> (Year: 2020).\*

\* cited by examiner

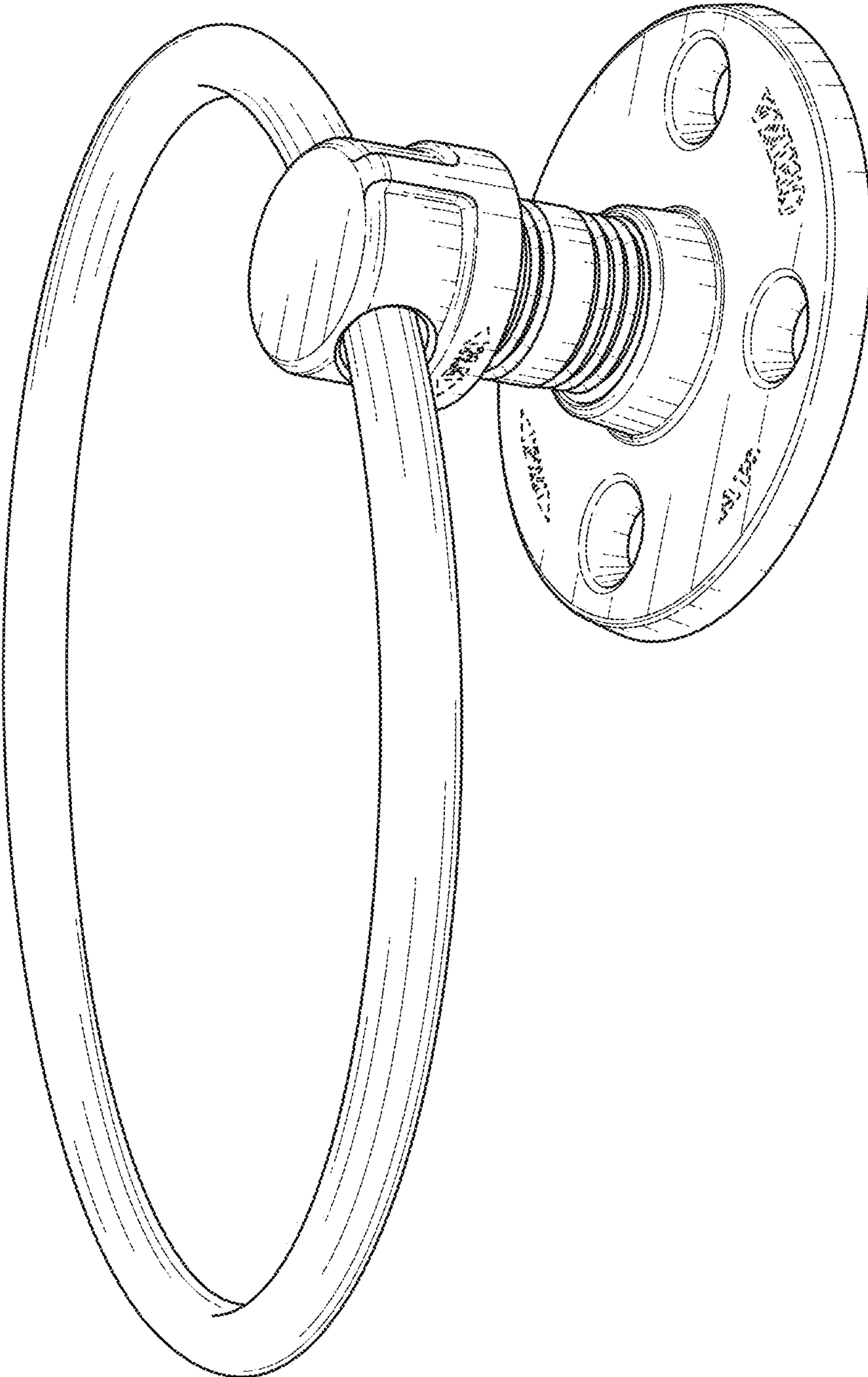


Fig. 1

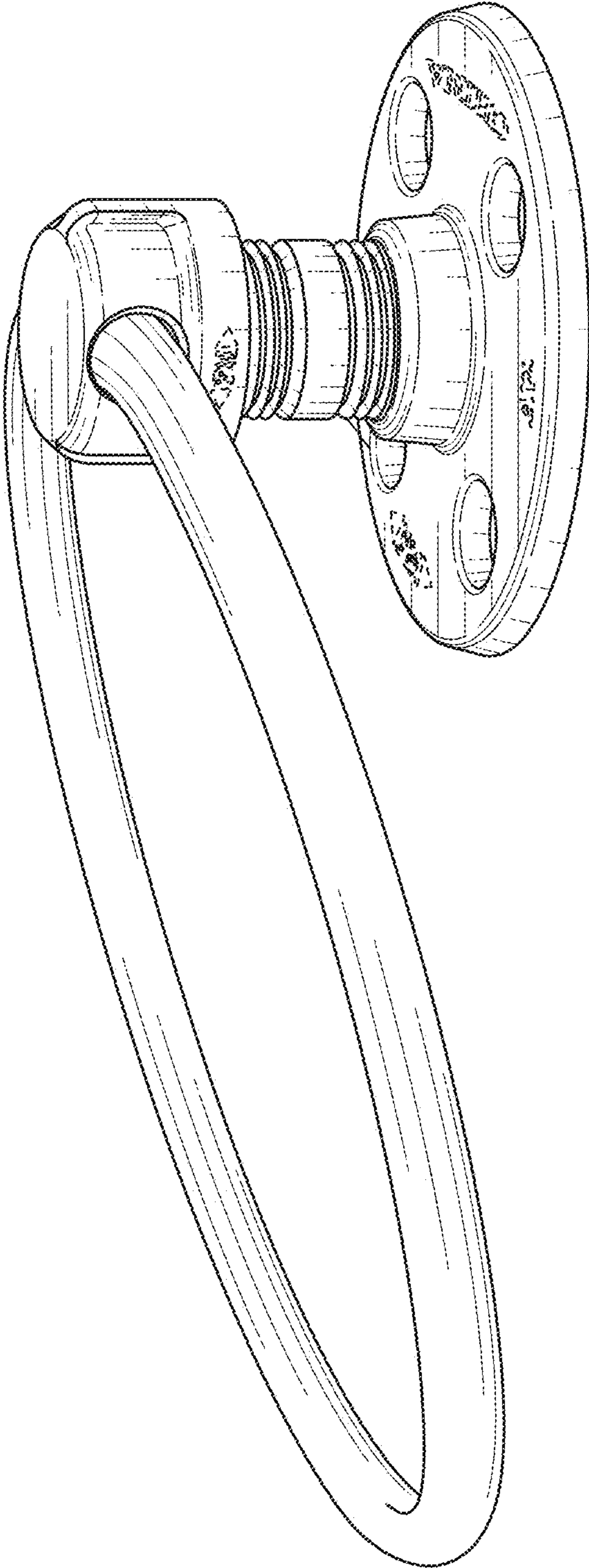


Fig. 2



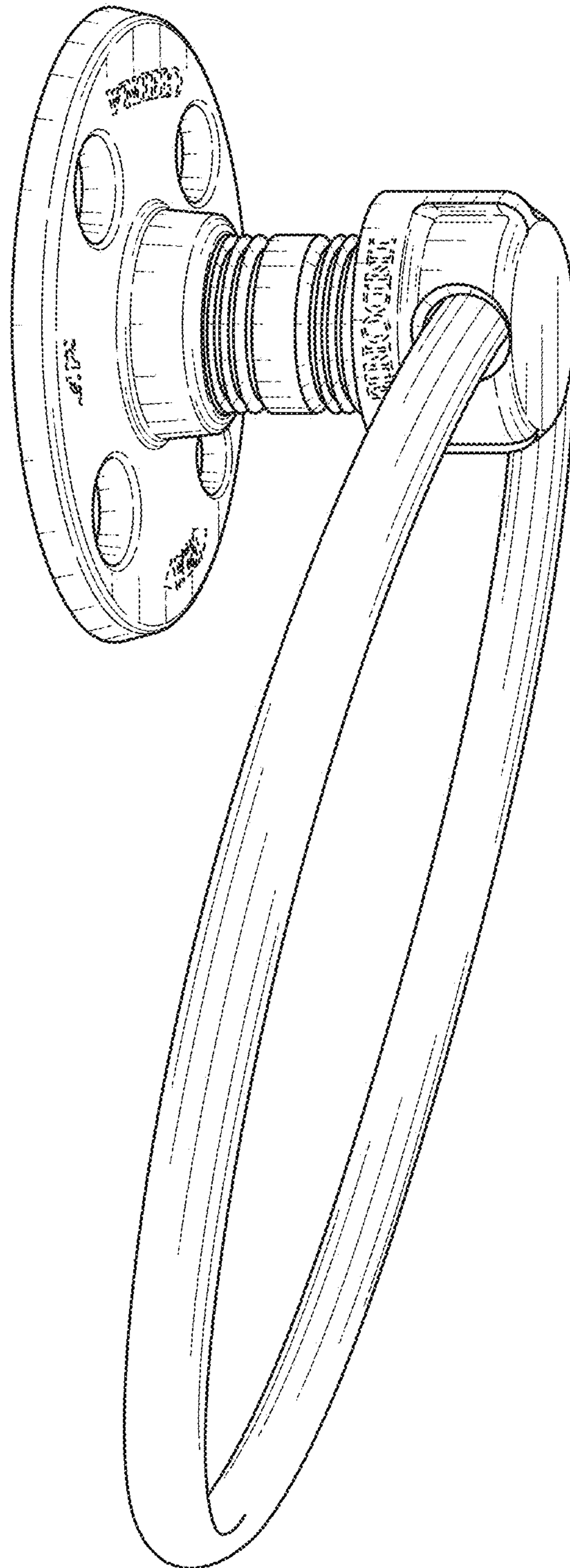


Fig. 3

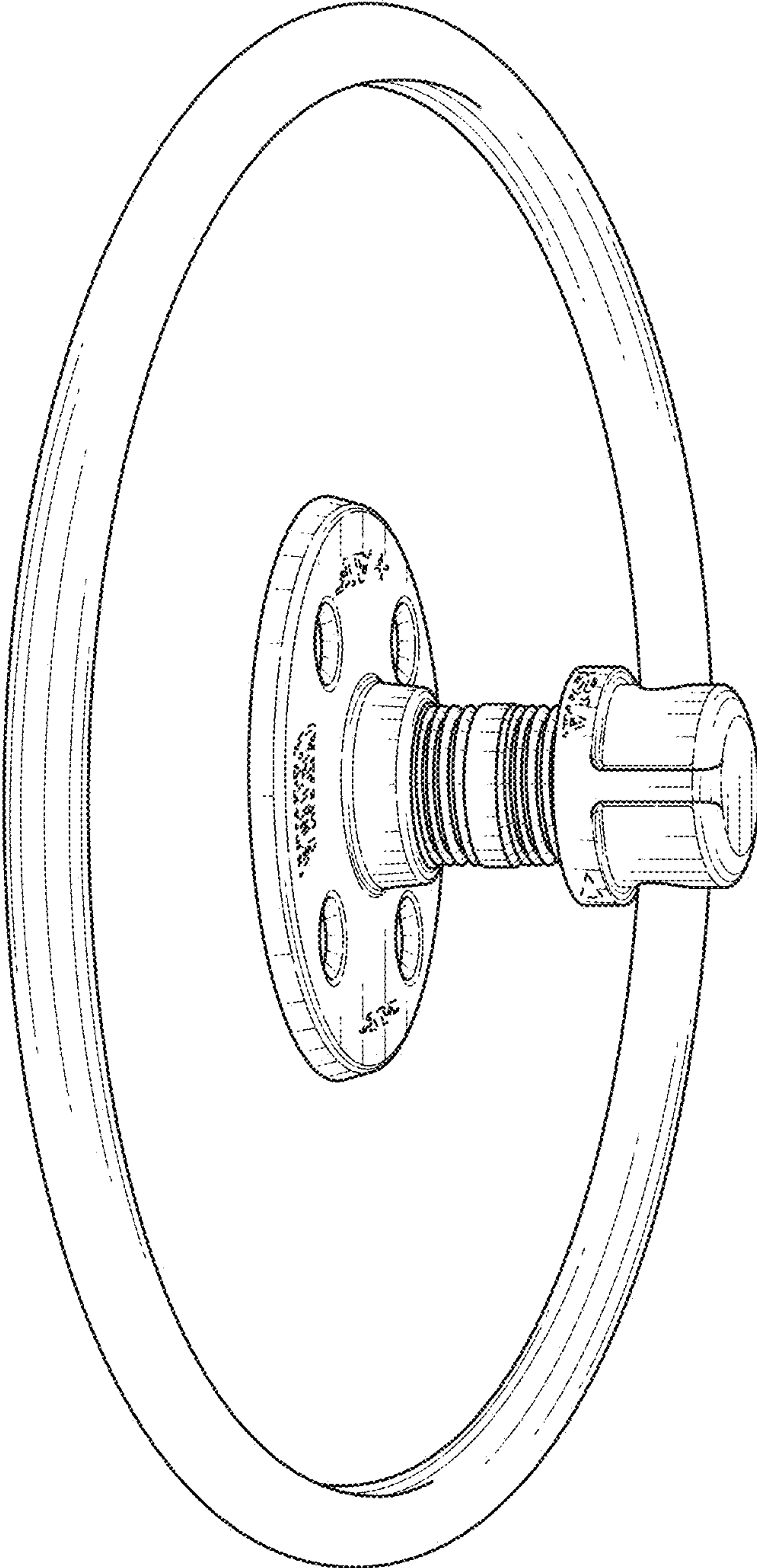


Fig. 4

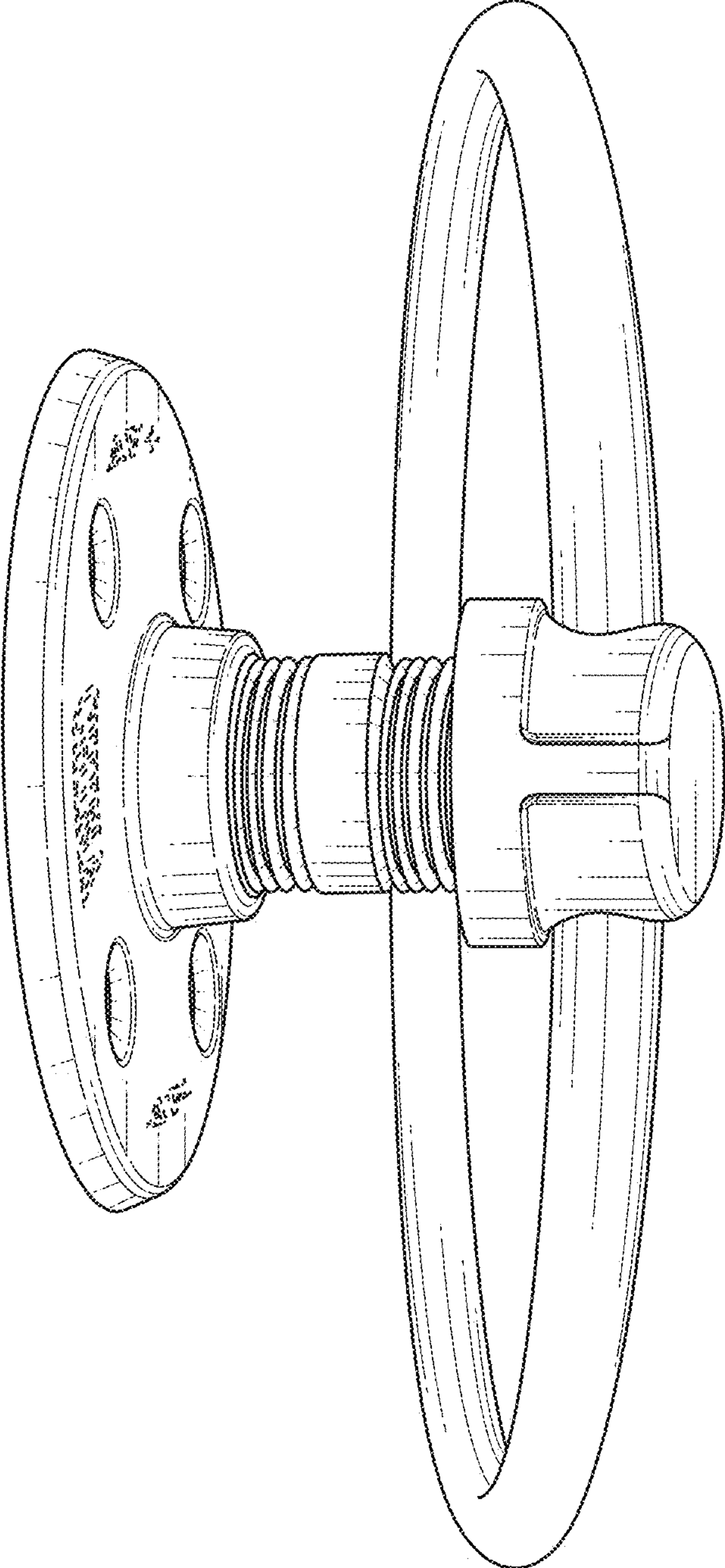


Fig. 5

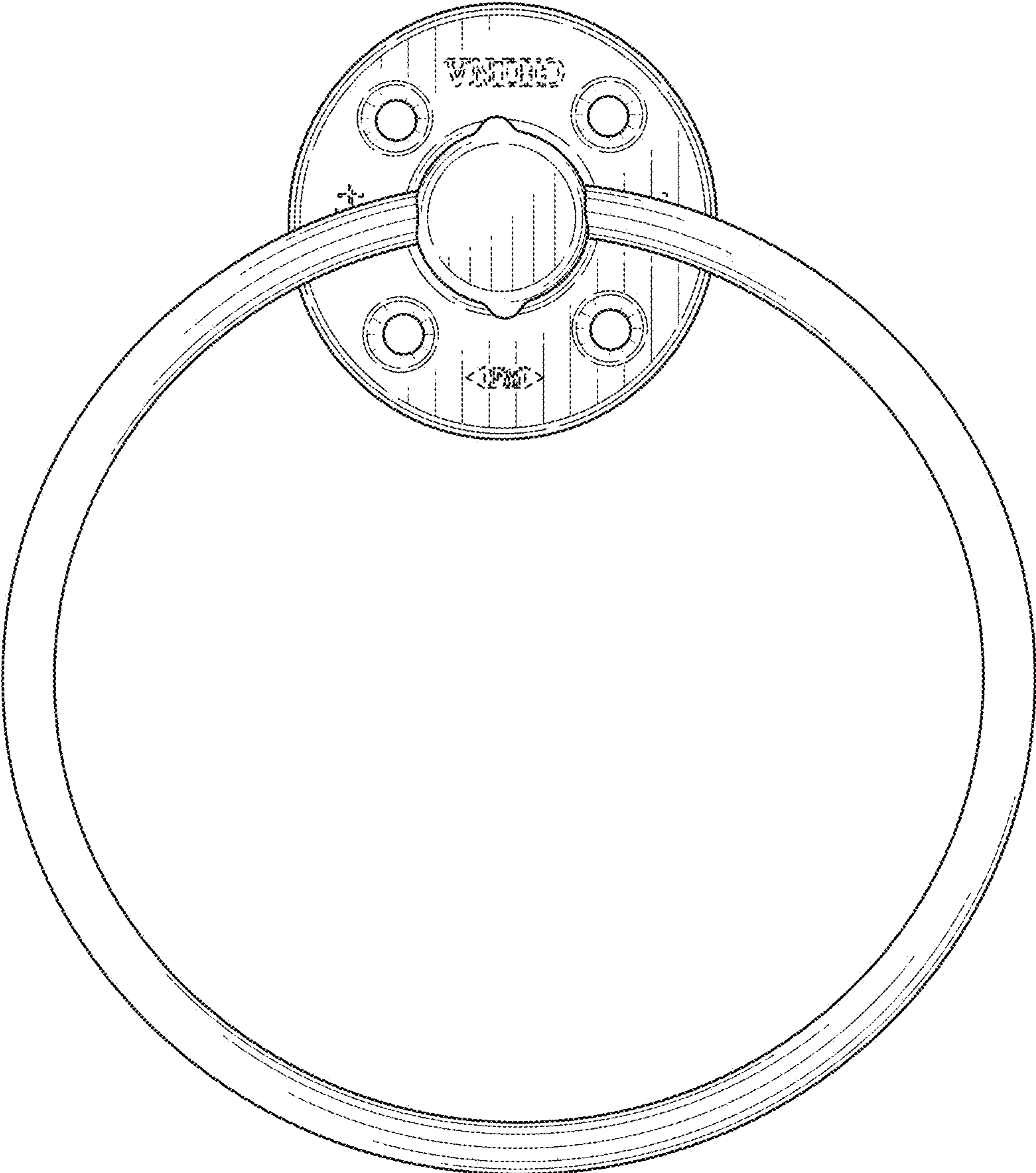


Fig. 6



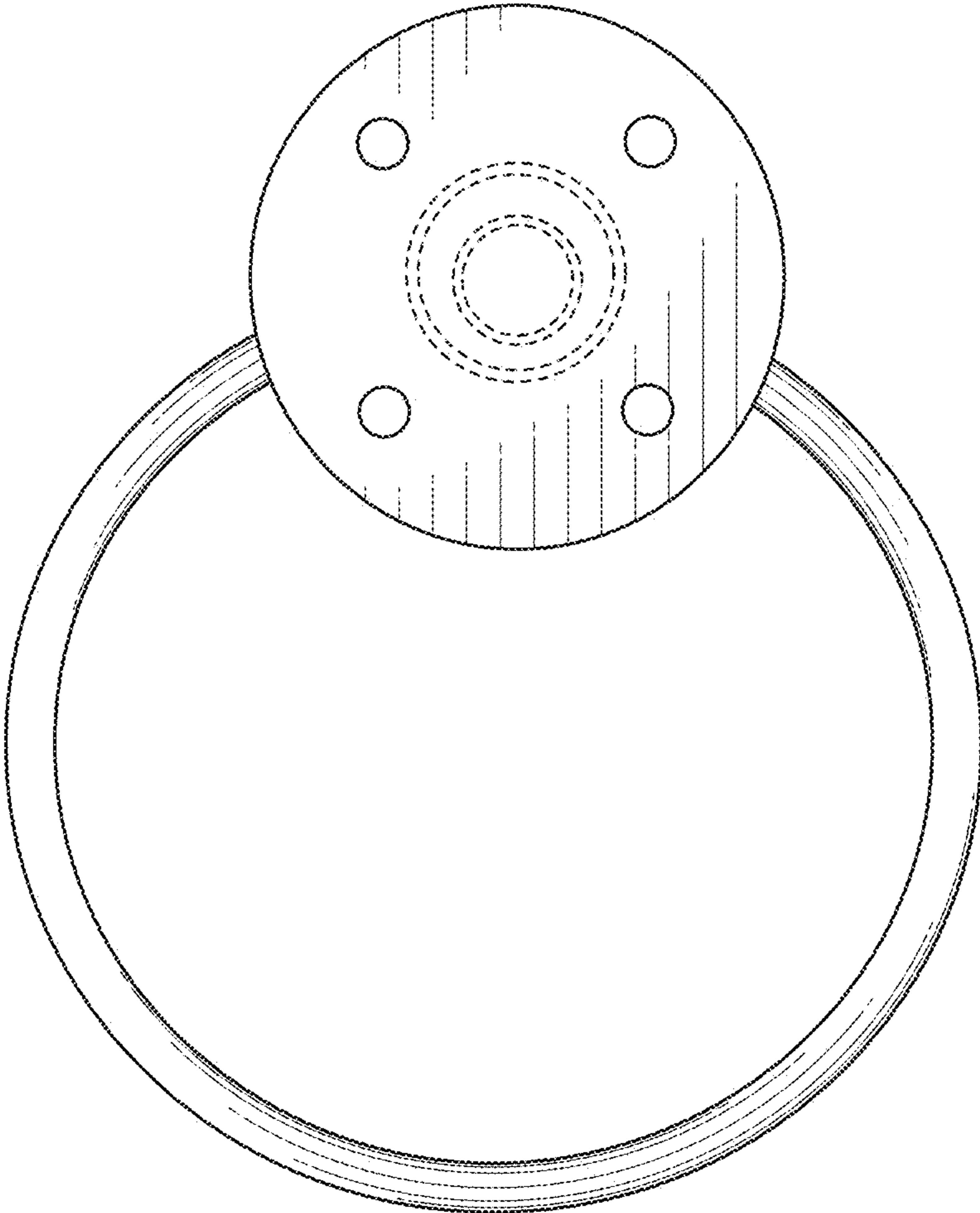


Fig. 7