



US00D915101S

(12) **United States Design Patent** (10) **Patent No.:** **US D915,101 S**
Rush (45) **Date of Patent:** **** Apr. 6, 2021**

(54) **DISPENSER**
(71) Applicant: **Interdesign, Inc.**, Solon, OH (US)
(72) Inventor: **Amanda Rush**, Strongsville, OH (US)
(73) Assignee: **InterDesign, Inc.**, Solon, OH (US)
(**) Term: **15 Years**
(21) Appl. No.: **29/713,375**
(22) Filed: **Nov. 15, 2019**

D538,177 S * 3/2007 Dretzka D6/542
D551,002 S * 9/2007 Snell D6/525
D551,087 S * 9/2007 Snell D6/542
D559,600 S * 1/2008 Snell D6/542
D563,704 S * 3/2008 Snell D6/542
D581,193 S * 11/2008 Ghiorghie D6/542
D637,847 S * 5/2011 Kraemer D6/542
D642,840 S * 8/2011 Dretzka D6/542
D644,052 S * 8/2011 Kraemer D6/542
D714,573 S * 10/2014 DeChristofaro D6/542
D817,659 S * 5/2018 Stelmarski D6/542
D831,997 S * 10/2018 Snell D6/542
D850,812 S * 6/2019 Ghiorghie D6/542
D863,966 S * 10/2019 Kauffman D9/504
D897,212 S * 9/2020 Goodman D9/523
2009/0212072 A1 * 8/2009 Fenton B05B 11/0044
222/173

Related U.S. Application Data

(63) Continuation of application No. 29/618,242, filed on Sep. 20, 2017, now Pat. No. Des. 868,511.
(51) **LOC (13) Cl.** **23-02**
(52) **U.S. Cl.**
USPC **D6/542**
(58) **Field of Classification Search**
USPC D6/542, 512, 524, 527, 529, 531, 536;
D9/682, 689, 690, 691, 448, 449
CPC ... A47K 5/00; A47K 5/04; A47K 5/06; A47K
5/12; A47K 5/1205; A47K 5/1211; A47K
5/18
See application file for complete search history.

* cited by examiner

Primary Examiner — Nathan M Johnston
(74) *Attorney, Agent, or Firm* — Calfee, Halter & Griswold LLP

(56) **References Cited**

U.S. PATENT DOCUMENTS

D438,740 S * 3/2001 Donnell D6/542
D462,553 S * 9/2002 Gerstmar D6/528
D477,990 S * 8/2003 Dretzka D6/542
D484,401 S * 12/2003 Dretzka D6/542
D486,336 S * 2/2004 Snell D6/542
D530,953 S * 10/2006 Turner D6/542
D531,843 S * 11/2006 Snell D6/542
D531,844 S * 11/2006 Snell D6/542
D537,360 S * 2/2007 Snell D6/542
D537,361 S * 2/2007 Dretzka D6/542

(57) **CLAIM**

I claim the ornamental design for a dispenser, as shown and described.

DESCRIPTION

FIG. 1 is a front/left/top perspective view of a dispenser; FIG. 2 is a front/right/bottom perspective view thereof; FIG. 3 is a front elevational view thereof; FIG. 4 is a left side elevational view thereof; FIG. 5 is a top plan view thereof; and, FIG. 6 is a bottom plan view thereof. The broken lines immediately adjacent to the shaded areas in the figures represent the boundaries of the claimed design. The broken lines in the figures illustrate the portions of the design that form no part of the claimed design. None of the broken lines form any part of the claimed design.

1 Claim, 6 Drawing Sheets

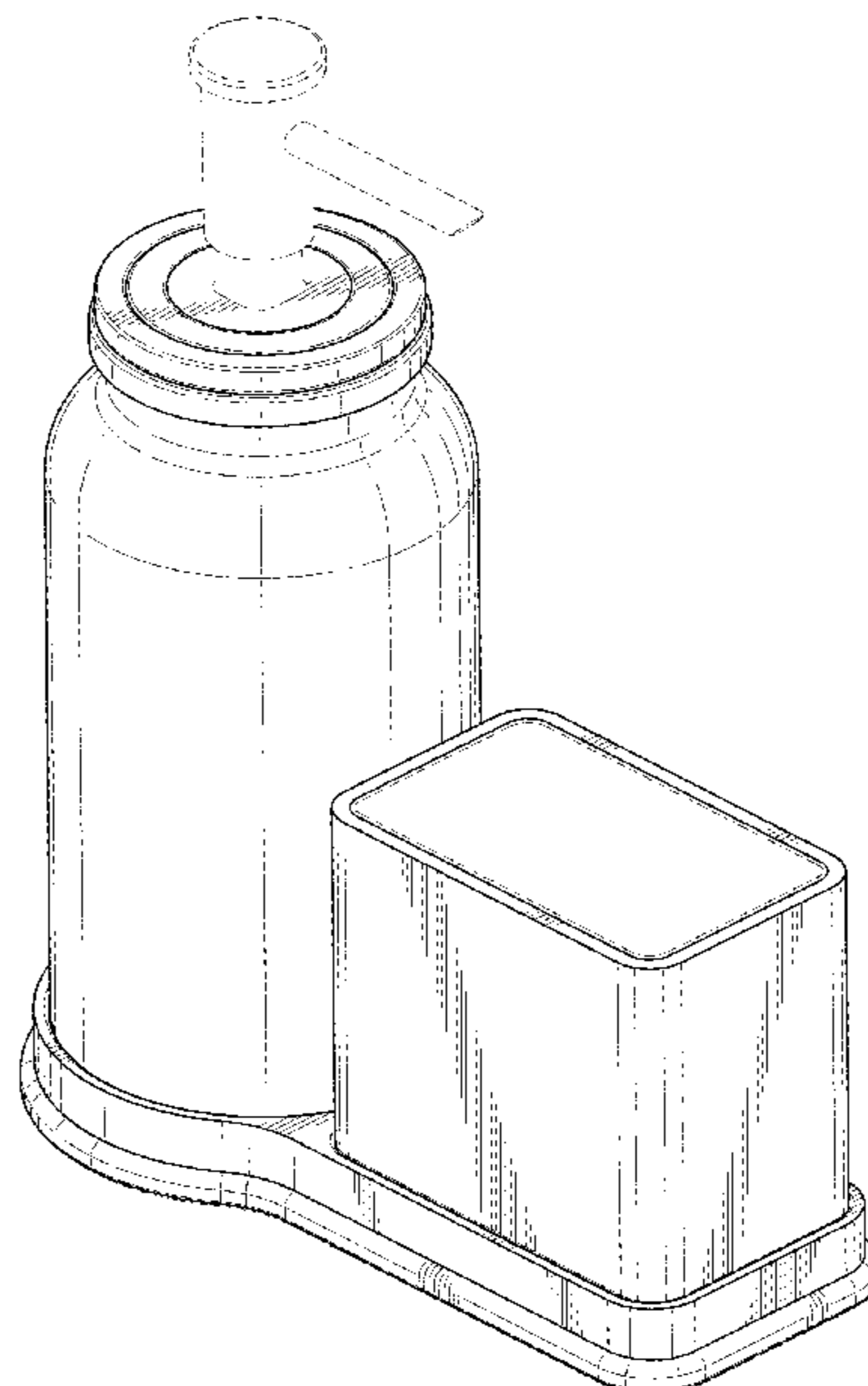


FIG. 1

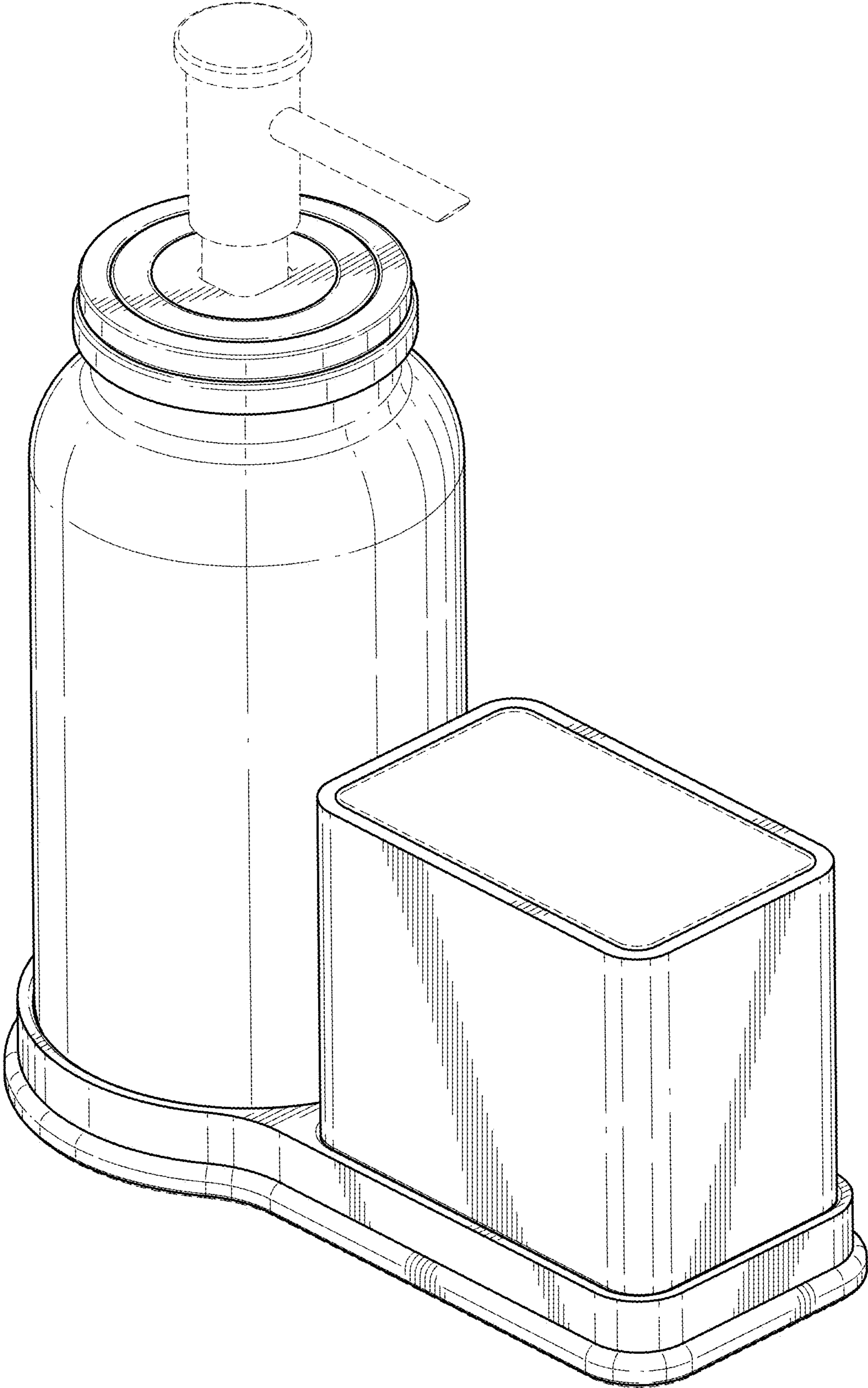


FIG. 2

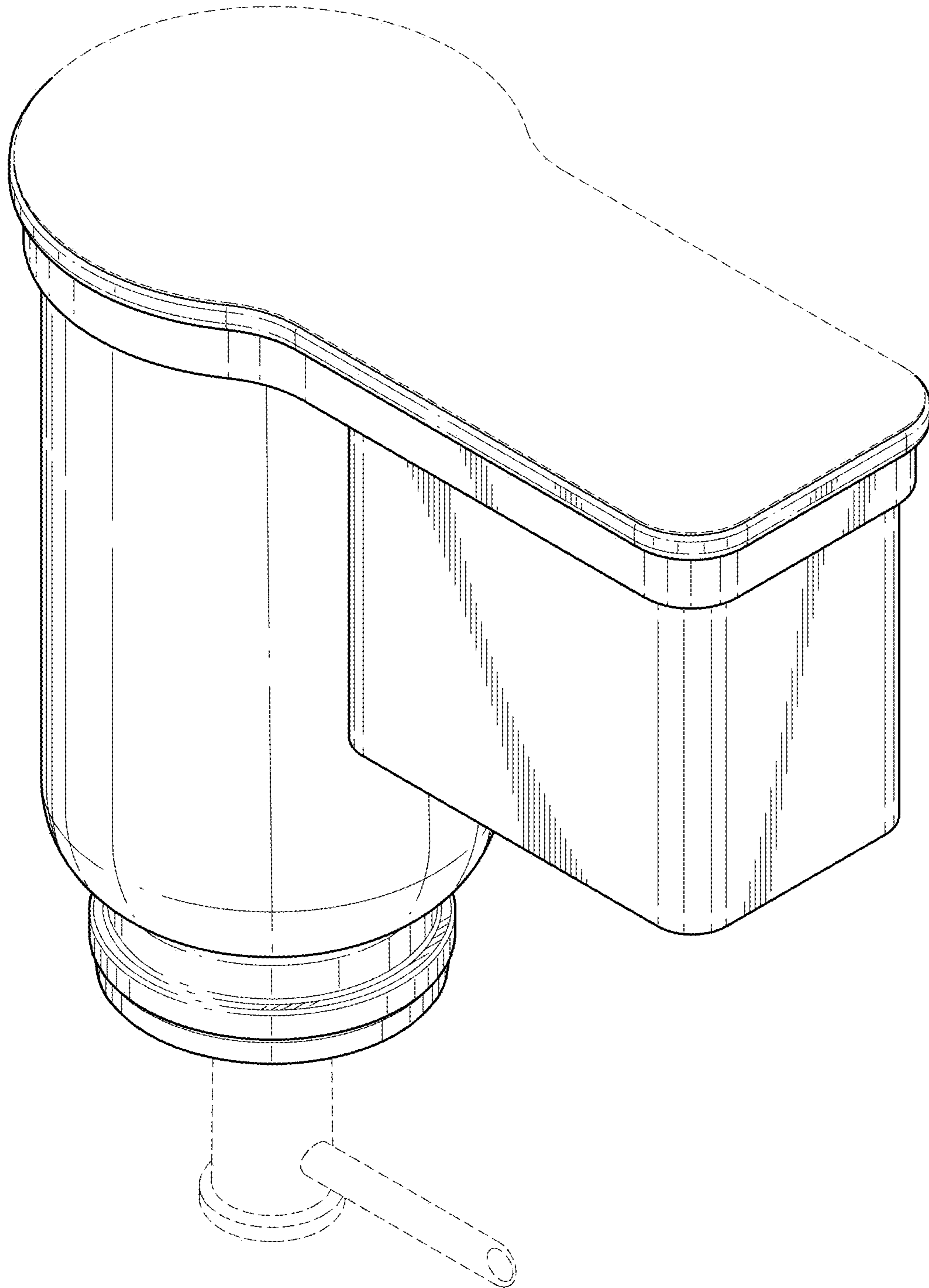


FIG. 3

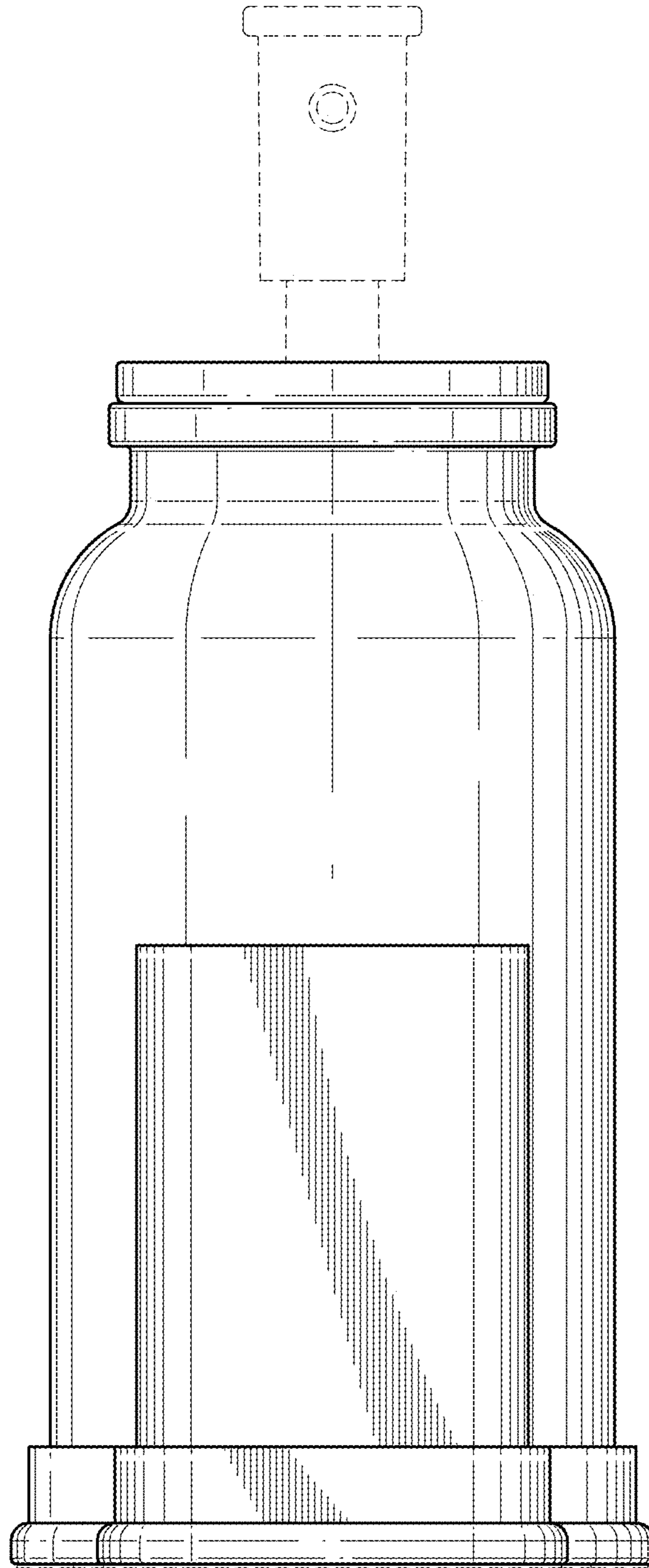


FIG. 4

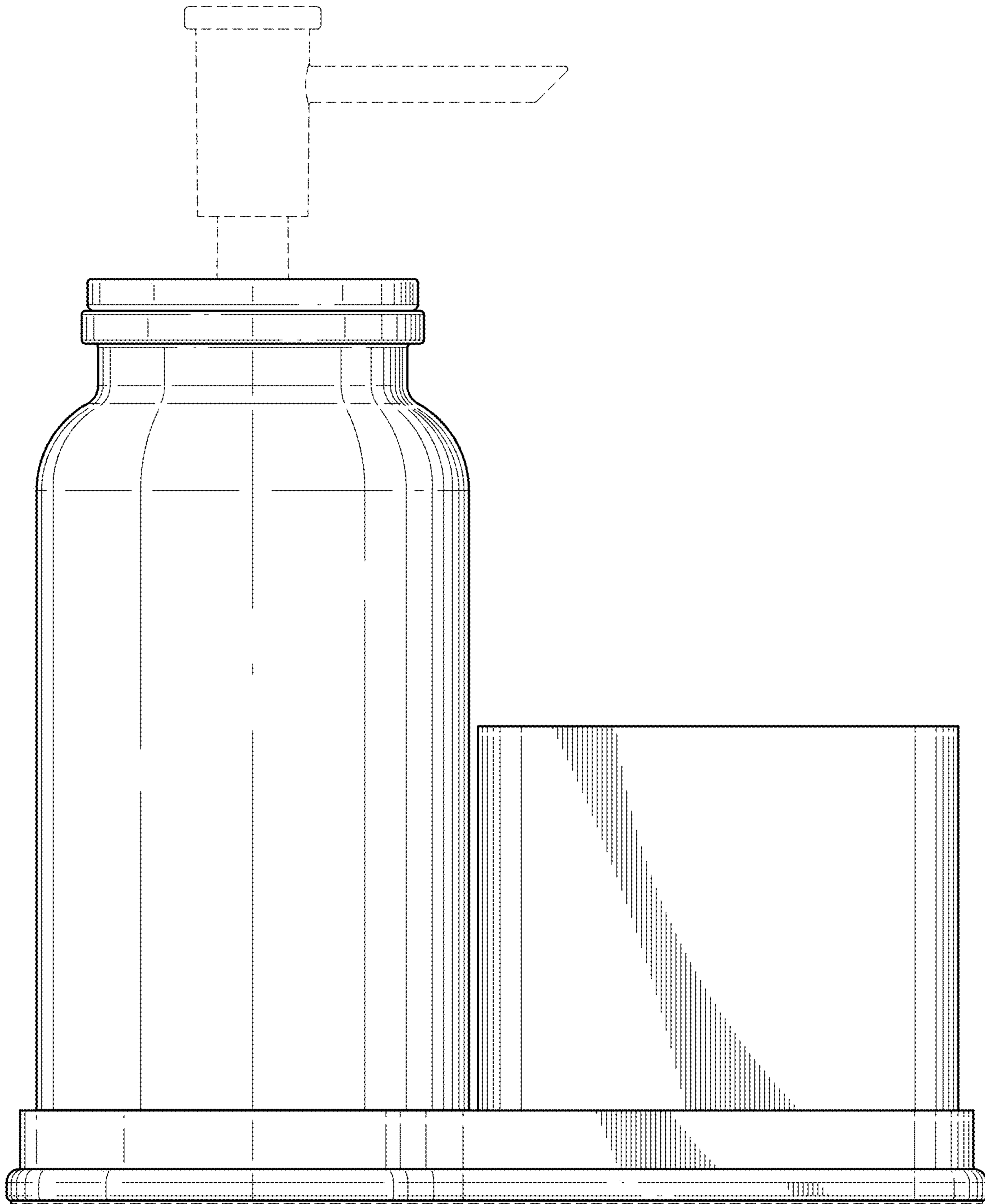


FIG. 5

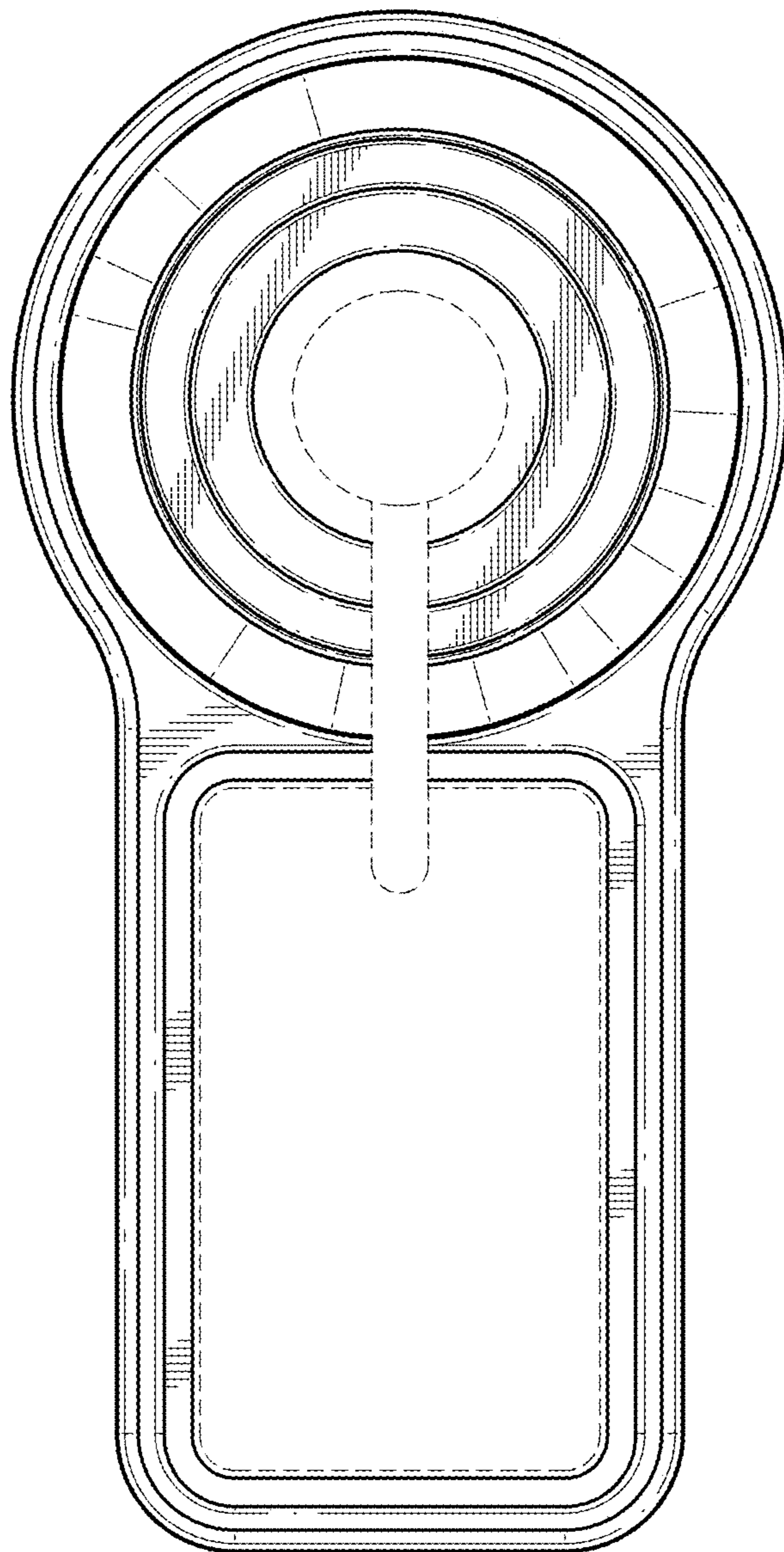


FIG. 6

