



US00D915100S

(12) **United States Design Patent** (10) **Patent No.:** **US D915,100 S**  
**Briden** (45) **Date of Patent:** **\*\* Apr. 6, 2021**

(54) **SPOOLED ITEM HOLDING DEVICE**  
(71) Applicant: **Patricia Grayson Briden**, Virginia Beach, VA (US)  
(72) Inventor: **Patricia Grayson Briden**, Virginia Beach, VA (US)  
(73) Assignee: **Ocean 22, LLC**, Virginia Beach, VA (US)  
(\*\*) Term: **15 Years**

4,239,163 A 12/1980 Christian  
D274,122 S 6/1984 Stahel  
D284,259 S 6/1986 Oury  
4,711,406 A 12/1987 Barstow  
D296,963 S 8/1988 Smallwood  
D299,333 S \* 1/1989 Coue ..... D12/179  
4,895,044 A 1/1990 Ekins  
D308,781 S 6/1990 Mintz  
D320,125 S 9/1991 Hacker  
D320,922 S 10/1991 Lurkis  
D322,022 S 12/1991 Cunningham  
D324,478 S 3/1992 Baer  
D324,634 S 3/1992 Chen  
D332,385 S 1/1993 Adams

(Continued)

(21) Appl. No.: **29/714,381**

(22) Filed: **Nov. 22, 2019**

**Related U.S. Application Data**

(60) Continuation-in-part of application No. 29/619,785, filed on Oct. 2, 2017, now Pat. No. Des. 878,079, which is a division of application No. 29/559,762, filed on Mar. 31, 2016, now Pat. No. Des. 801,721.

(51) **LOC (13) Cl.** ..... **23-02**

(52) **U.S. Cl.**  
USPC ..... **D6/523**

(58) **Field of Classification Search**  
USPC ..... D6/518-523; 206/389, 391; 211/13.1, 211/59.1, 45, 89.01; 242/570, 590, 597.7, 242/599.1, 599.3; 248/309.1, 309.2  
CPC ..... A47K 2010/3266; A47K 10/32; A47K 10/426; A47K 10/22; A47K 10/00  
See application file for complete search history.

(56) **References Cited**

**U.S. PATENT DOCUMENTS**

2,699,903 A 1/1955 Montgomery  
3,002,704 A 10/1961 Grossfeld  
3,378,985 A \* 4/1968 Bugan ..... E04C 5/03  
52/852  
3,907,232 A 9/1975 Odermatt  
D246,758 S 12/1977 Ukai

**OTHER PUBLICATIONS**

www.controlnroll.com, Website; Accessed Dec. 15, 2015.

*Primary Examiner* — Nathan M Johnston  
(74) *Attorney, Agent, or Firm* — ePatentManager; Guerry Grune

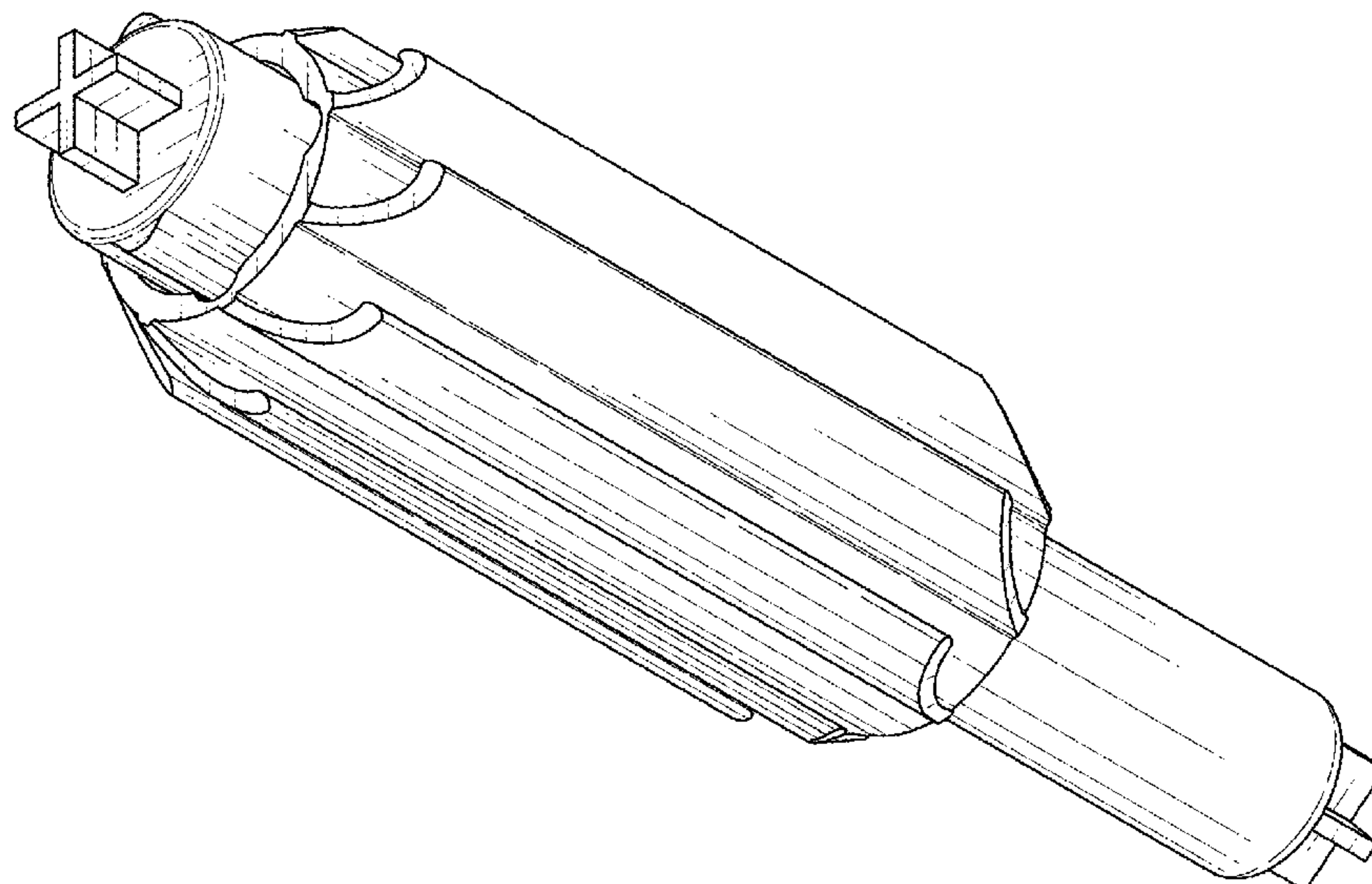
(57) **CLAIM**

The ornamental design for a spooled item holding device, as shown and described.

**DESCRIPTION**

FIG. 1 is a top perspective view of the spooled item holding device showing my new design;  
FIG. 2 is a front elevation view thereof;  
FIG. 3 is a back elevation view thereof;  
FIG. 4 is a right end elevational view thereof;  
FIG. 5 is a left end elevational view thereof;  
FIG. 6 is a front elevation view of an embodiment of the slip-resistant spooled item holding device of FIG. 1; and,  
FIG. 7 is an exploded top perspective view of the spooled item holding device of FIG. 1.  
The sides not explicitly shown in the drawings are a mirror image of the sides visible in the drawings.

**1 Claim, 5 Drawing Sheets**



(56)

References Cited

U.S. PATENT DOCUMENTS

D336,958 S	6/1993	Koros		D554,465 S	11/2007	Laurienzo	
D338,825 S	8/1993	Brainard		7,364,112 B1	4/2008	Formon	
5,273,227 A	12/1993	Smith, Jr.		7,416,153 B1	4/2008	Dervin	
D344,185 S	2/1994	Vela		D596,476 S	7/2009	Welch	
D345,685 S	4/1994	Lin		D603,693 S	11/2009	Bentrim	
D352,441 S	11/1994	Oury		D611,784 S	3/2010	Girard	
D352,442 S	11/1994	Lee-Chang		D615,605 S	5/2010	Frasco	
D352,443 S	11/1994	Chen		D621,680 S	8/2010	Hsu	
D352,800 S	11/1994	Leung		D622,920 S *	8/2010	Bejtlich, III	D32/40
D391,478 S	3/1998	D'Arrigo		D626,816 S	11/2010	Claxton	
D391,824 S	3/1998	Larson		D629,666 S *	12/2010	Lai	D8/83
5,727,751 A *	3/1998	Liu	A47K 10/40	D633,035 S	2/2011	Heine	
			242/599.1	7,980,507 B2	7/2011	Patrick	
5,758,843 A *	6/1998	Ongaro	A47K 10/3836	D647,214 S	10/2011	Seehof	
			242/563.2	D648,204 S	11/2011	Parvey	
D404,282 S	1/1999	Hsu		D649,862 S	12/2011	Arvinte	
D405,342 S	2/1999	Thompson		D675,703 S	2/2013	Buie, II	
D411,432 S	6/1999	Stahel		8,415,357 B2	4/2013	Kawabe et al.	
5,983,747 A	11/1999	Chen		D684,776 S	6/2013	Wang	
6,035,742 A	3/2000	Hollingsworth		D697,782 S	1/2014	Lee	
D429,990 S	8/2000	Kunkler		D698,219 S	1/2014	Lee	
D448,646 S	10/2001	Sargentelli		D718,441 S	11/2014	Carus	
D453,292 S	2/2002	Tsuzuki		D723,349 S *	3/2015	Henderson	D8/107
6,367,734 B1 *	4/2002	Cartwright	A47K 10/40	D731,202 S	6/2015	Newson	
			242/598.1	D854,907 S *	7/2019	Jeffries	D8/303
6,398,151 B1	6/2002	Tam		D854,908 S *	7/2019	Jeffries	D8/303
D461,390 S	8/2002	Livingston		2005/0098465 A1 *	5/2005	Wolf	A61L 9/12
6,490,761 B2 *	12/2002	Durrant	B25B 23/0021				206/410
			16/110.1	2005/0247817 A1	11/2005	Holden	
6,561,058 B1	5/2003	Steinke		2009/0057169 A1	3/2009	Kruchoski et al.	
D475,953 S	6/2003	Salwasser		2009/0179105 A1	7/2009	Owen	
6,628,789 B1	9/2003	Colby		2010/0084503 A1	4/2010	Burgess	
D512,894 S	12/2005	Nimphius		2013/0240462 A1	9/2013	Lohnert	
7,044,020 B2	5/2006	Rosenthal		2013/0306822 A1	11/2013	Margetts	
D532,275 S	11/2006	Lin		2014/0231373 A1	8/2014	Mellin	
D533,813 S	12/2006	Fujiwara		2015/0090835 A1	4/2015	Toussaint	
D542,119 S	5/2007	Ricereto		2015/0217932 A1 *	8/2015	Carmen	B65D 33/002
D546,659 S	7/2007	Smith					206/389
				2015/0251834 A1	9/2015	Doering	
				2015/0305537 A1	10/2015	Zich	
				2017/0059104 A1	3/2017	Suggs	

\* cited by examiner

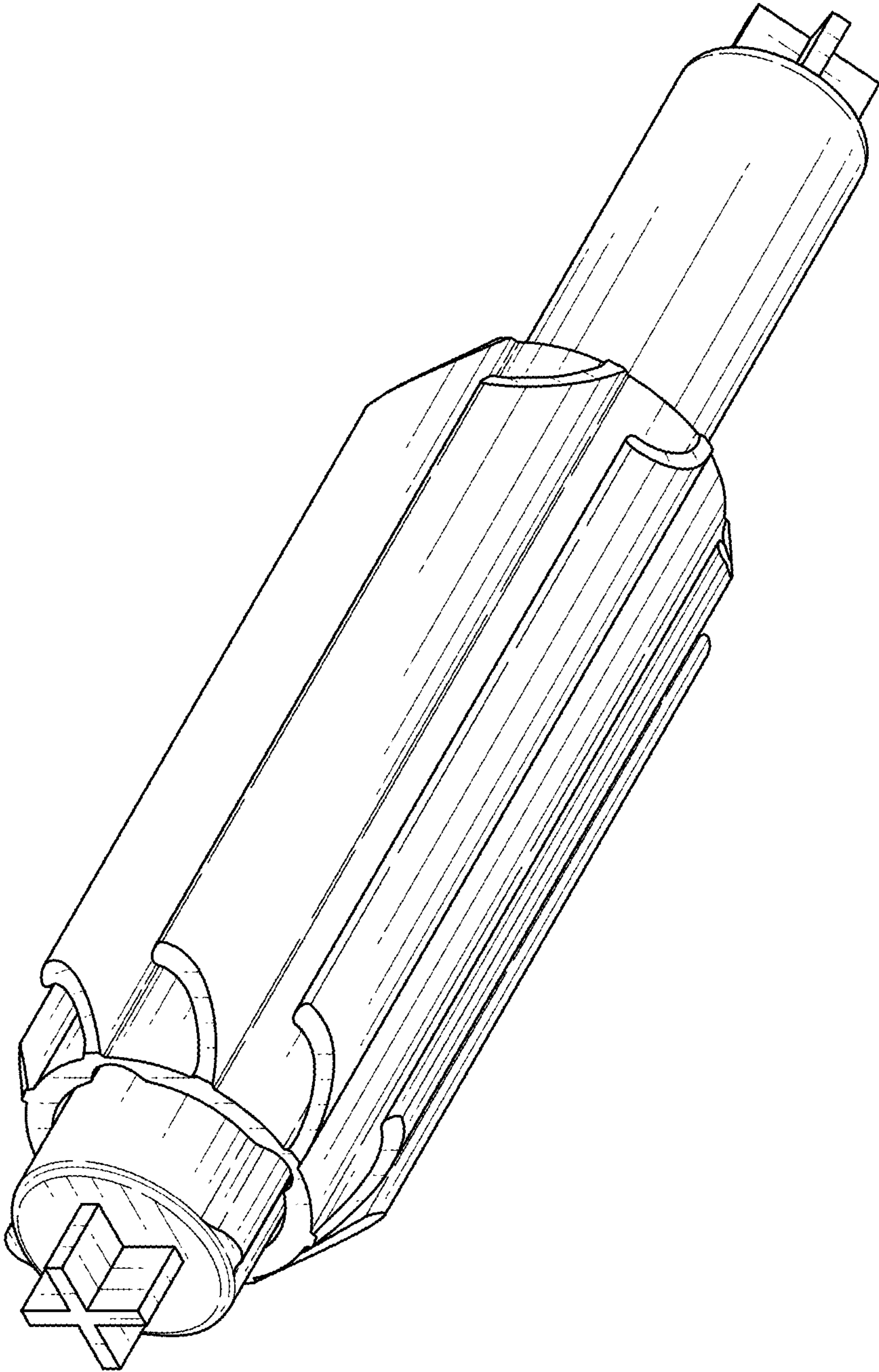


FIG. 1



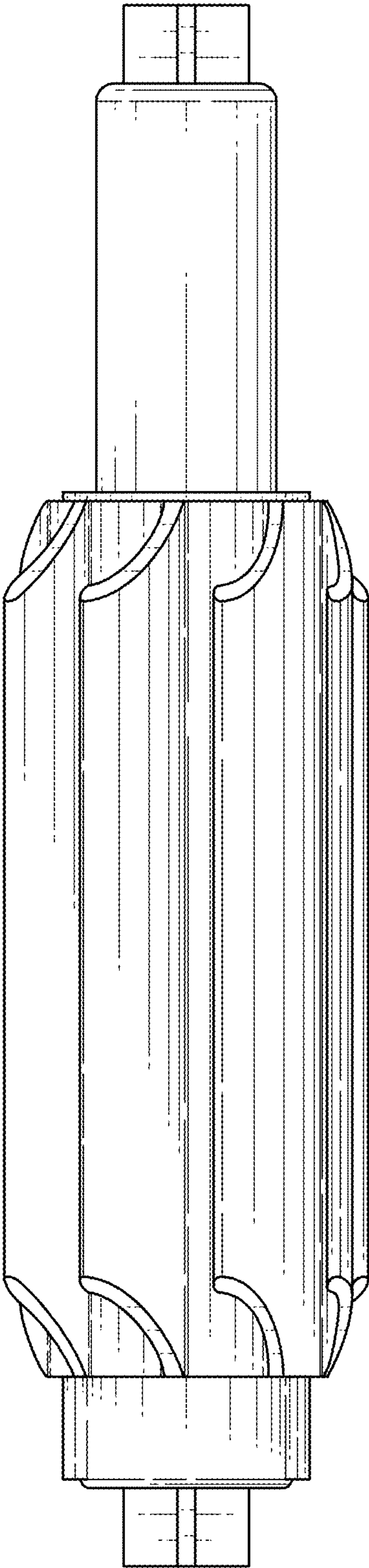


FIG. 2

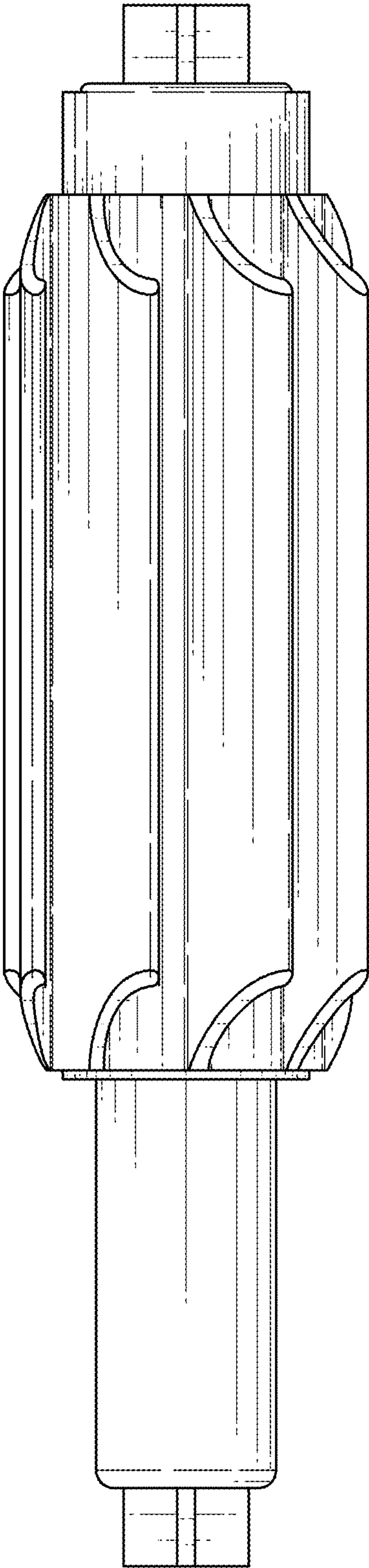


FIG. 3

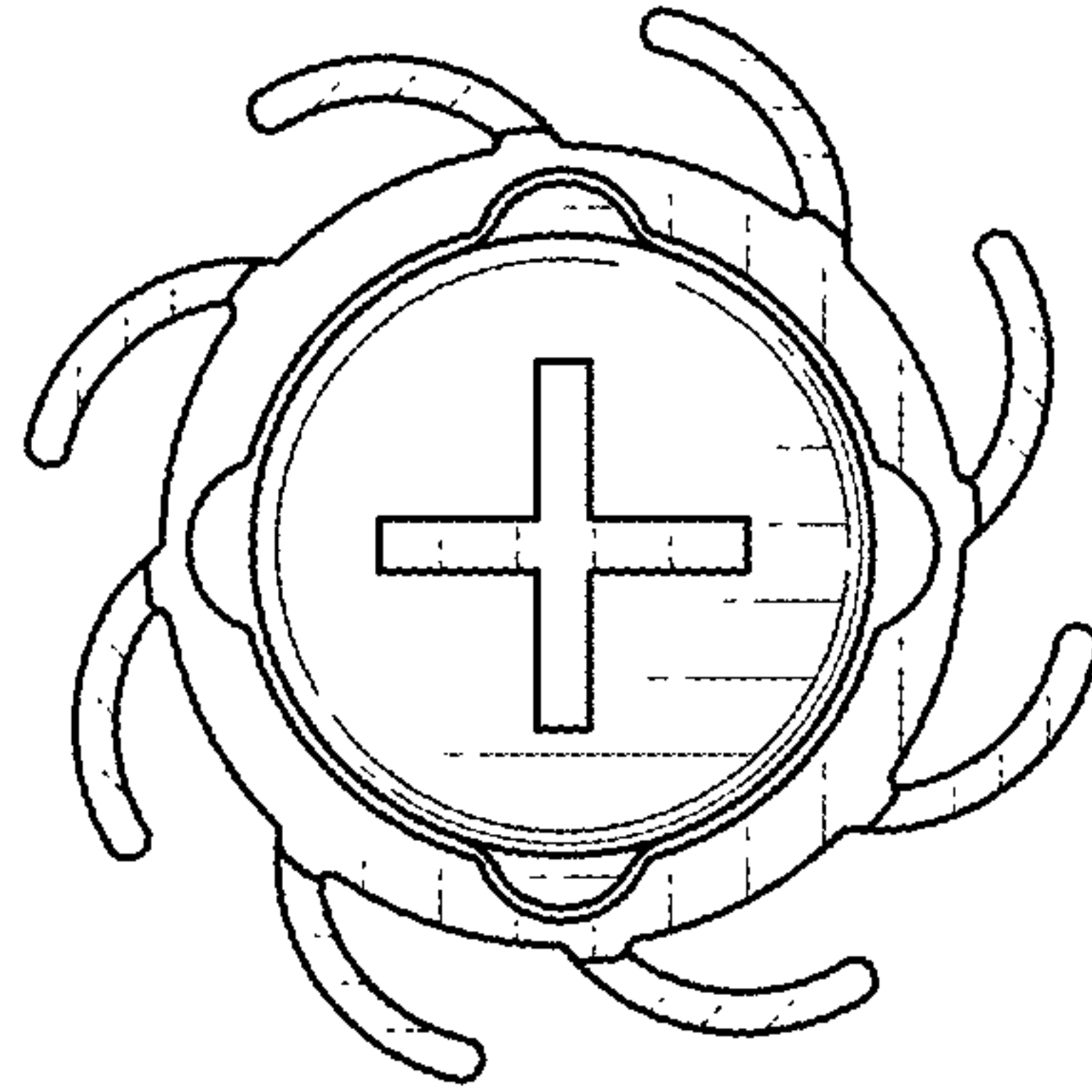


FIG. 4

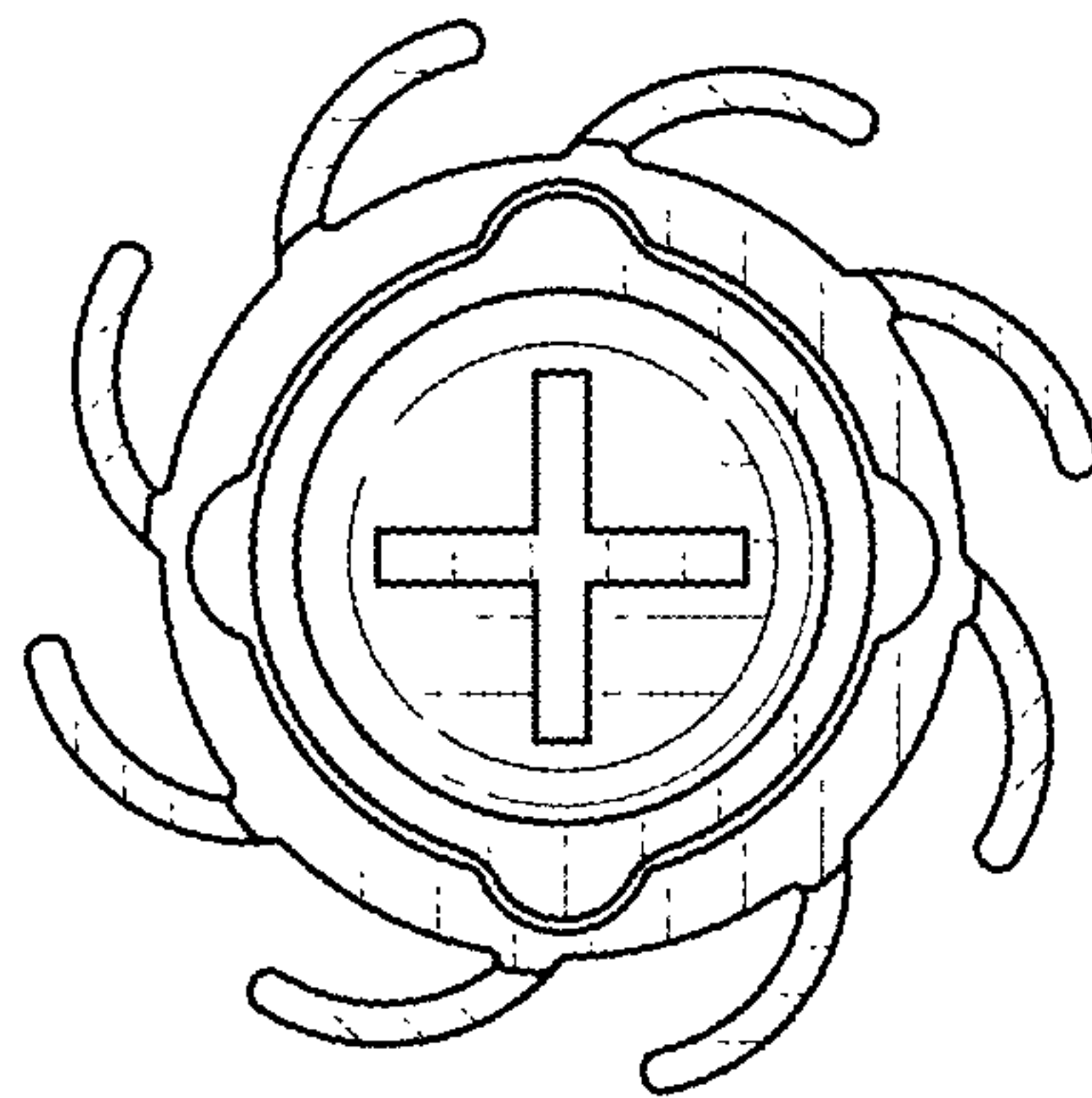


FIG. 5

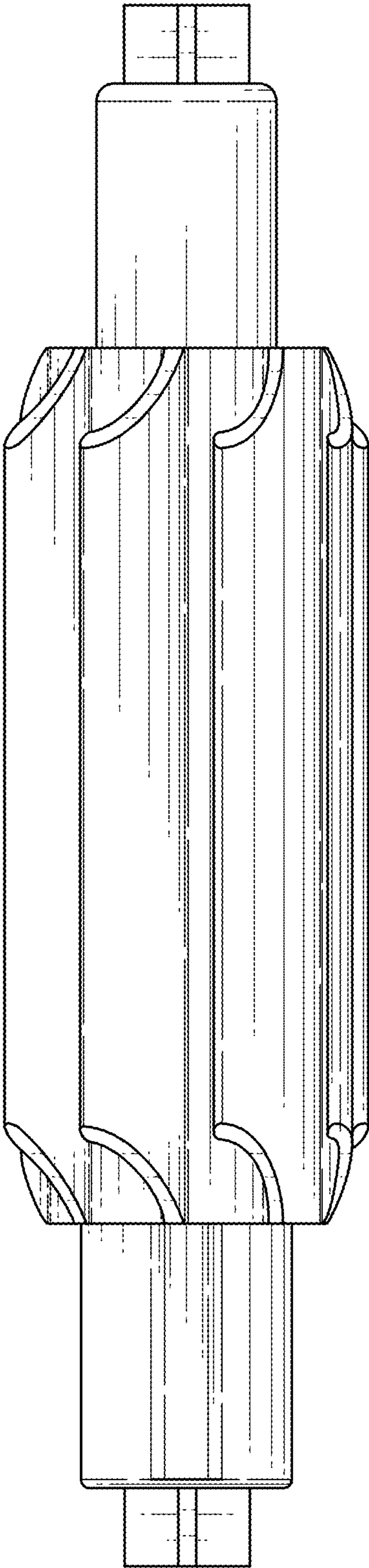


FIG. 6

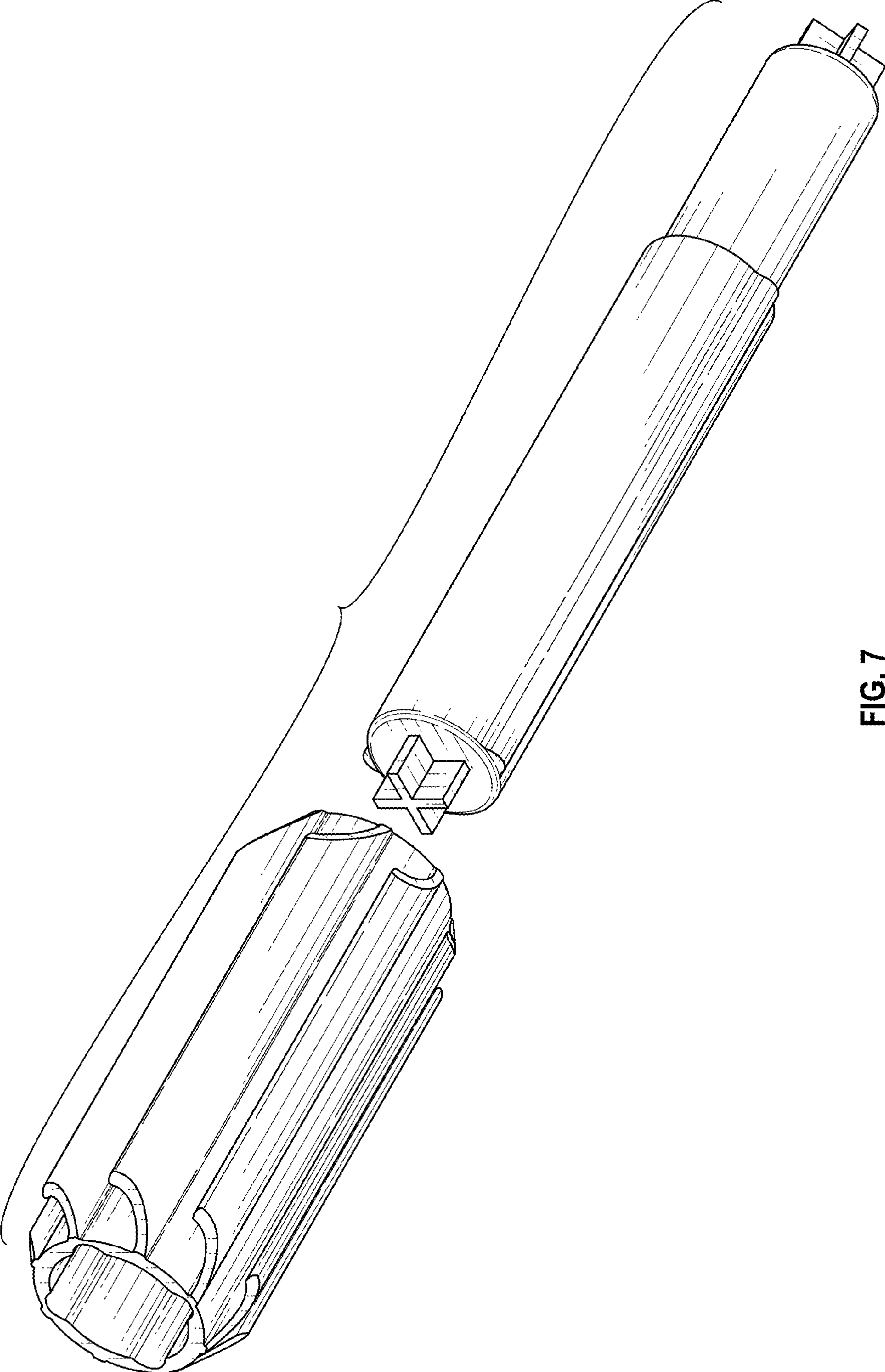


FIG. 7