

US00D915099S

(12) **United States Design Patent** (10) **Patent No.:** **US D915,099 S**
Chen et al. (45) **Date of Patent:** **** *Apr. 6, 2021**

(54) **PRODUCE BAG DISPENSER**

B65B 43/14; B65B 2067/1272; A47K 10/421; A47K 10/426

(71) Applicant: **Inteplast Group Corporation**,
Livingston, NJ (US)

See application file for complete search history.

(72) Inventors: **Daniel Chen**, Morristown, NJ (US);
Todd Hart, Kalamazoo, MI (US);
Janine Paley, Ontario, CA (US);
Tasneem Krishna, Piscataway, NJ
(US); **Kelvin Yang**, Madison, NJ (US);
Ben Tseng, Somerset, NJ (US)

(56) **References Cited**

U.S. PATENT DOCUMENTS

320,576 A	6/1885	Myers
1,229,431 A	6/1917	Farrell
4,621,755 A	11/1986	Granger
4,844,361 A	7/1989	Granger
5,054,675 A	10/1991	Taves
5,135,146 A	8/1992	Simhaee
5,219,424 A	6/1993	Simhaee
5,261,585 A	11/1993	Simhaee
5,433,363 A	7/1995	Simhaee

(Continued)

Primary Examiner — Wan Laymon

Assistant Examiner — Mark Booker

(74) *Attorney, Agent, or Firm* — Stinson LLP

(73) Assignee: **Inteplast Group Corporation**,
Livingston, NJ (US)

(*) Notice: This patent is subject to a terminal disclaimer.

(**) Term: **15 Years**

(21) Appl. No.: **29/658,934**

(22) Filed: **Aug. 3, 2018**

(57) **CLAIM**

The ornamental design for a produce bag dispenser, as shown and described.

DESCRIPTION

FIG. 1 is a top, front, and right side perspective view of a produce bag dispenser with a roll of produce bags operatively mounted thereon;

FIG. 2 is a top, front, and right side perspective view of the produce bag dispenser of FIG. 1 with the roll of produce bags removed;

FIG. 3 is a front view thereof;

FIG. 4 is a right side view thereof;

FIG. 5 is a top view thereof;

FIG. 6 is a rear view thereof;

FIG. 7 is a left side view thereof; and,

FIG. 8 is bottom view thereof.

The broken lines shown in a dash-dash pattern depict portions of the article and environmental structure that form no part of the claimed design.

Related U.S. Application Data

(62) Division of application No. 29/576,080, filed on Aug. 31, 2016, now Pat. No. Des. 827,324.

(51) **LOC (13) Cl.** **20-02**

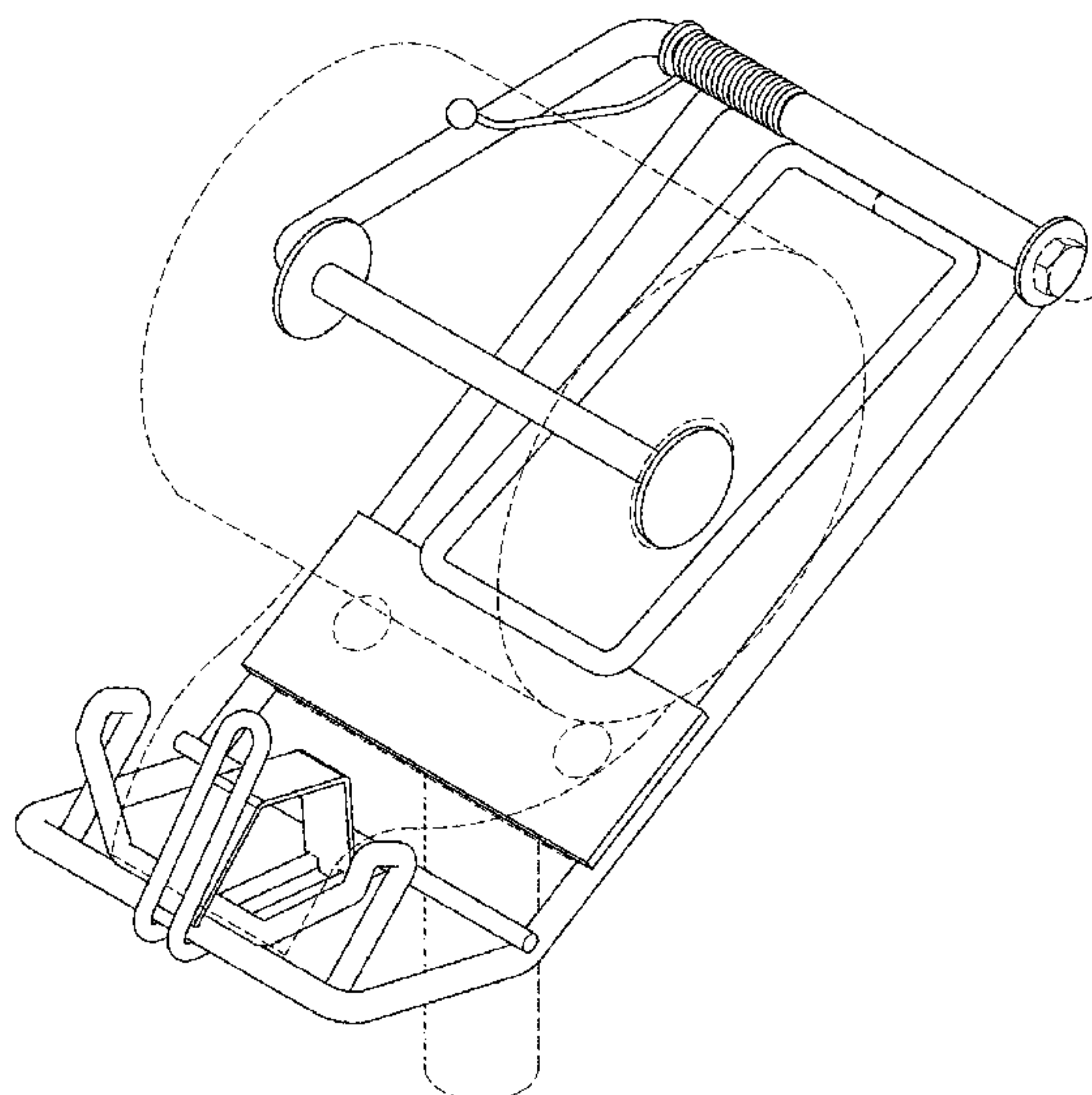
(52) **U.S. Cl.**
USPC **D6/518**

(58) **Field of Classification Search**

USPC D6/518, 515-517, 519-523; 206/225, 206/233, 389, 391; 211/13.1, 173, 180; 221/26, 33, 282-283; 225/46, 51, 106, 225/47, 96; 242/270, 526.1, 570, 590; 248/309.1, 309.2, 905, 205.5

CPC B26F 3/02; B65H 2701/191; B65H 35/10; B65H 16/005; B65H 2301/5152; A47F 9/042; A47F 2009/044; A47F 13/085; Y10T 225/393; Y10T 83/896; Y10T 225/209; Y10T 225/30; B65B 61/12;

1 Claim, 8 Drawing Sheets



(56)

References Cited

U.S. PATENT DOCUMENTS

5,558,262	A	9/1996	Simhaee	9,890,009	B1 *	2/2018	Chen	B26F 3/02
6,170,726	B1	1/2001	Jensen	D827,324	S *	9/2018	Chen	D6/518
6,199,788	B1	3/2001	Simhaee	2003/0019972	A1	1/2003	Goldberg		
6,279,806	B1	8/2001	Simhaee	2003/0098326	A1	5/2003	Wile		
6,561,403	B1 *	5/2003	Kannankeril	2010/0288893	A1 *	11/2010	Tan	F16B 47/00 248/205.5
								
			A47F 13/085	2011/0073629	A1	3/2011	Tseng		
			225/106	2012/0024884	A1	2/2012	Wilfong		
6,685,075	B1	2/2004	Kannankeril	2012/0305618	A1	12/2012	Tan		
7,270,256	B2	9/2007	Daniels	2013/0134181	A1	5/2013	Helseth et al.		
D572,514	S	7/2008	Bickler et al.	2014/0048576	A1 *	2/2014	Tan	B65H 35/10 225/51
7,424,963	B2	9/2008	Daniels	2014/0144966	A1 *	5/2014	Tan	B26F 3/02 225/47
7,591,405	B2	9/2009	Daniels	2014/0166715	A1 *	6/2014	Tan	B65H 35/10 225/46
D628,417	S	12/2010	Benedetti et al.	2015/0144677	A1 *	5/2015	Tseng	B65H 35/10 225/106
8,251,270	B2	8/2012	Tseng	2017/0217709	A1	8/2017	Wilfong		
8,844,783	B2	9/2014	Tan						
8,875,968	B2	11/2014	Tan						
8,905,283	B2	12/2014	Tan						
9,199,820	B2	12/2015	Tseng						

* cited by examiner

FIG. 1

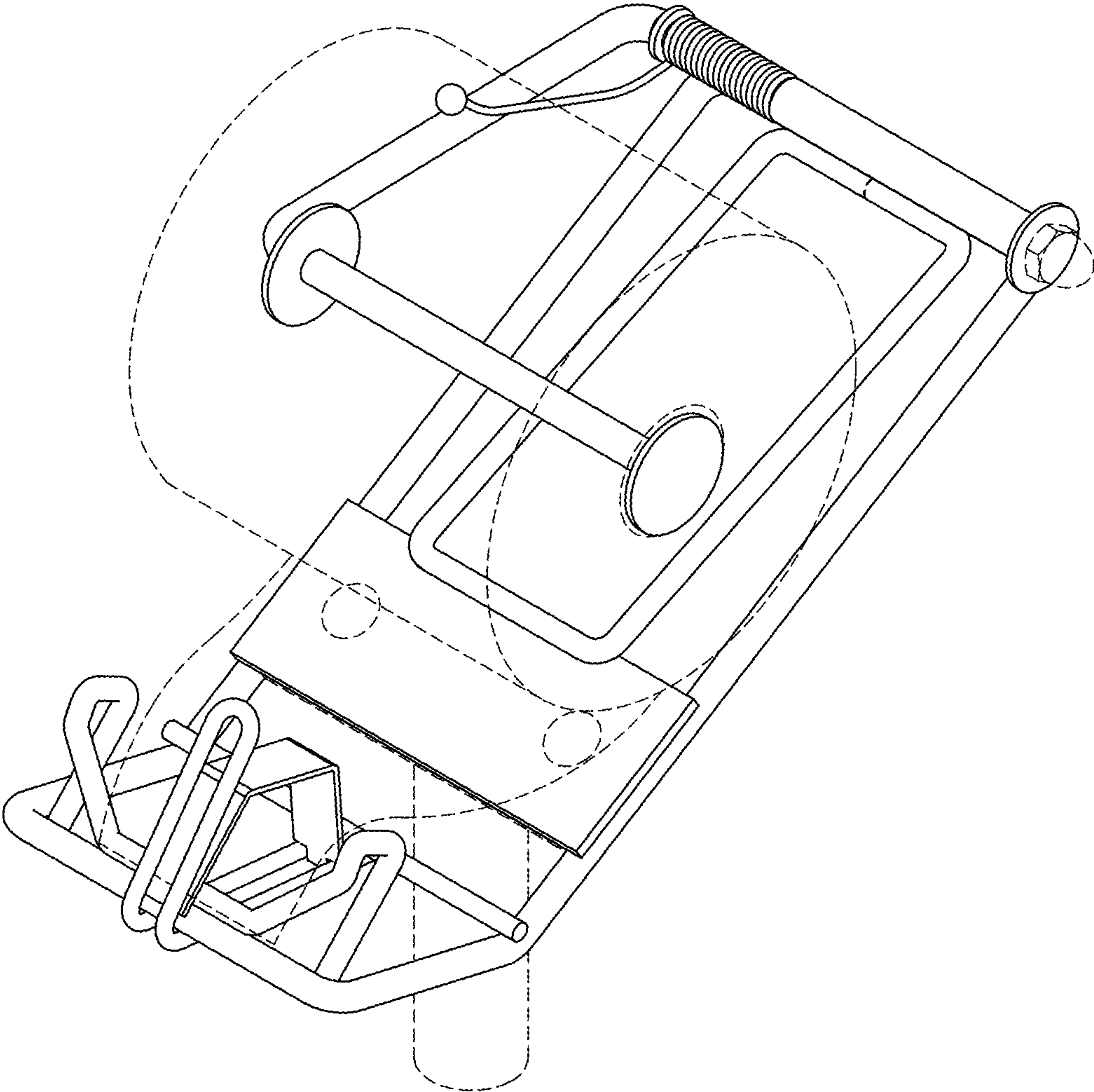


FIG. 2

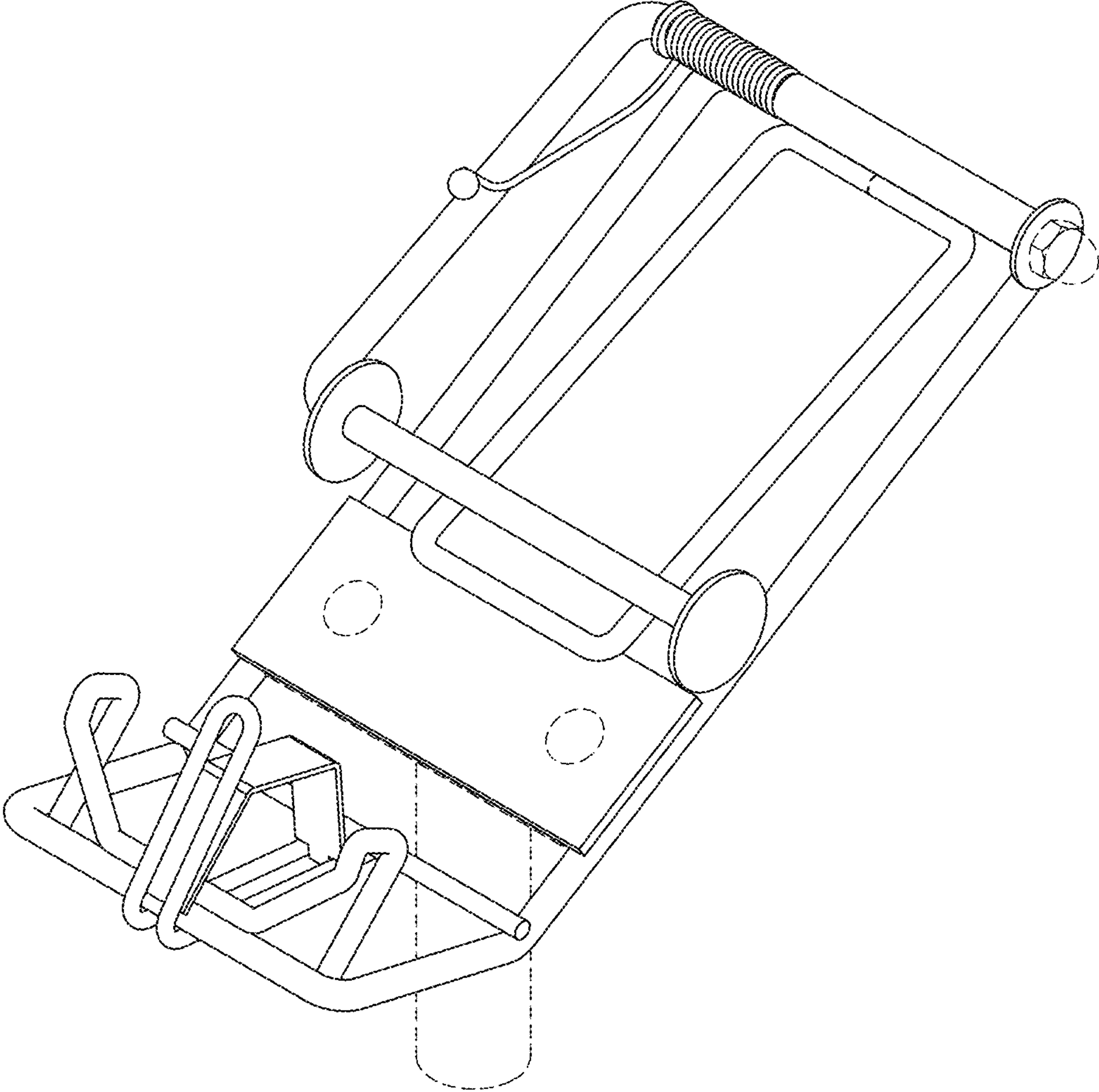


FIG. 3

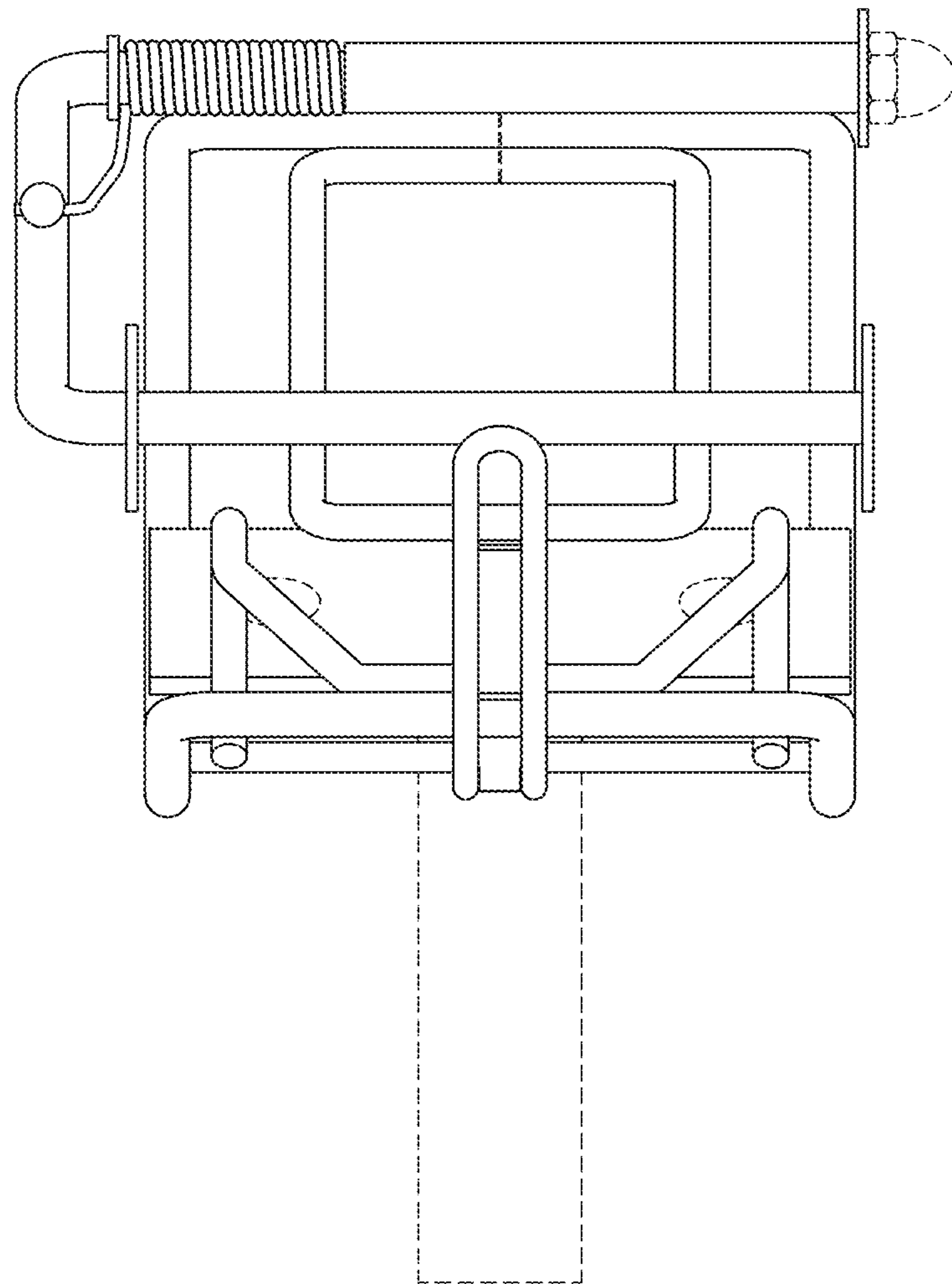


FIG. 4

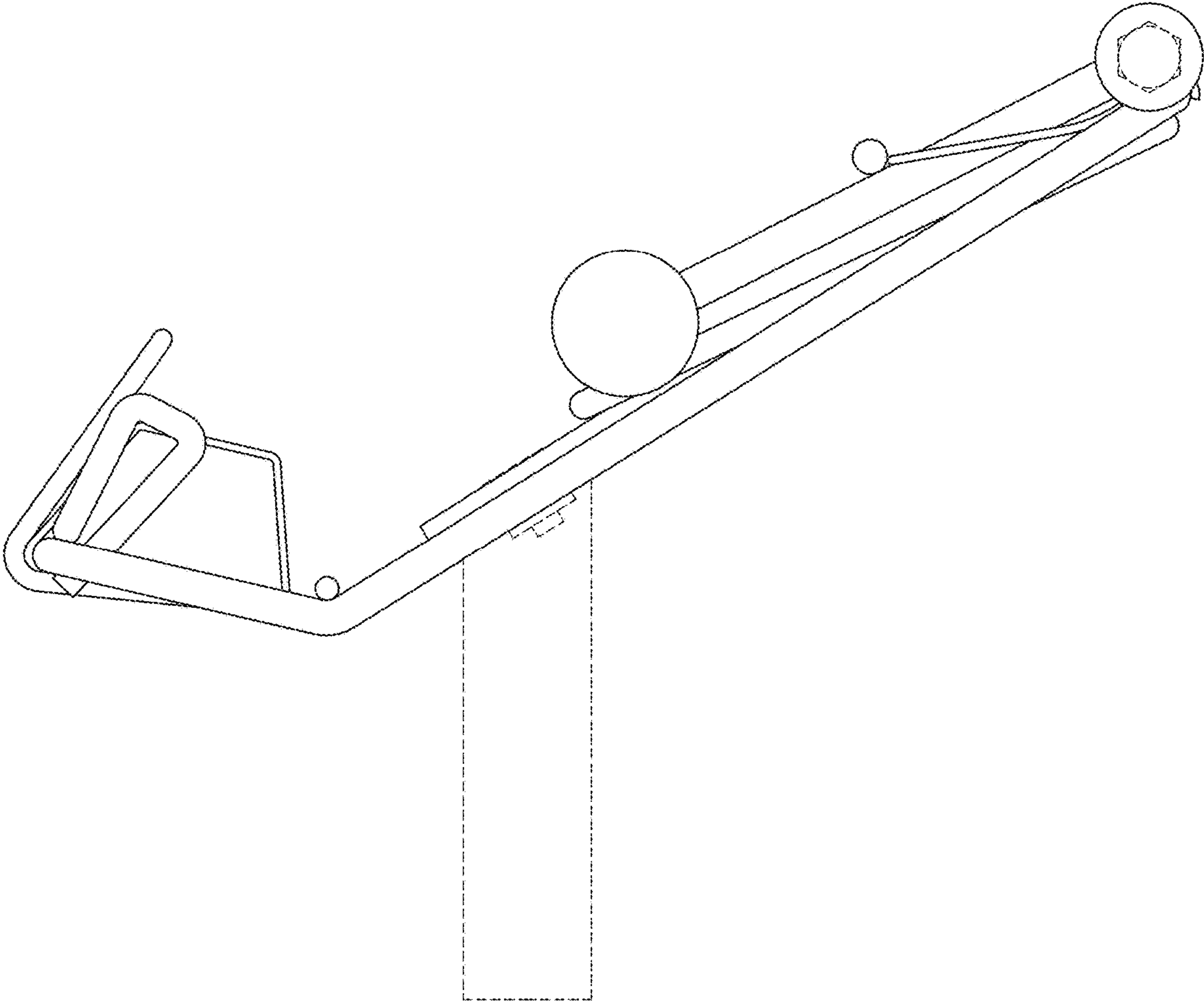


FIG. 5

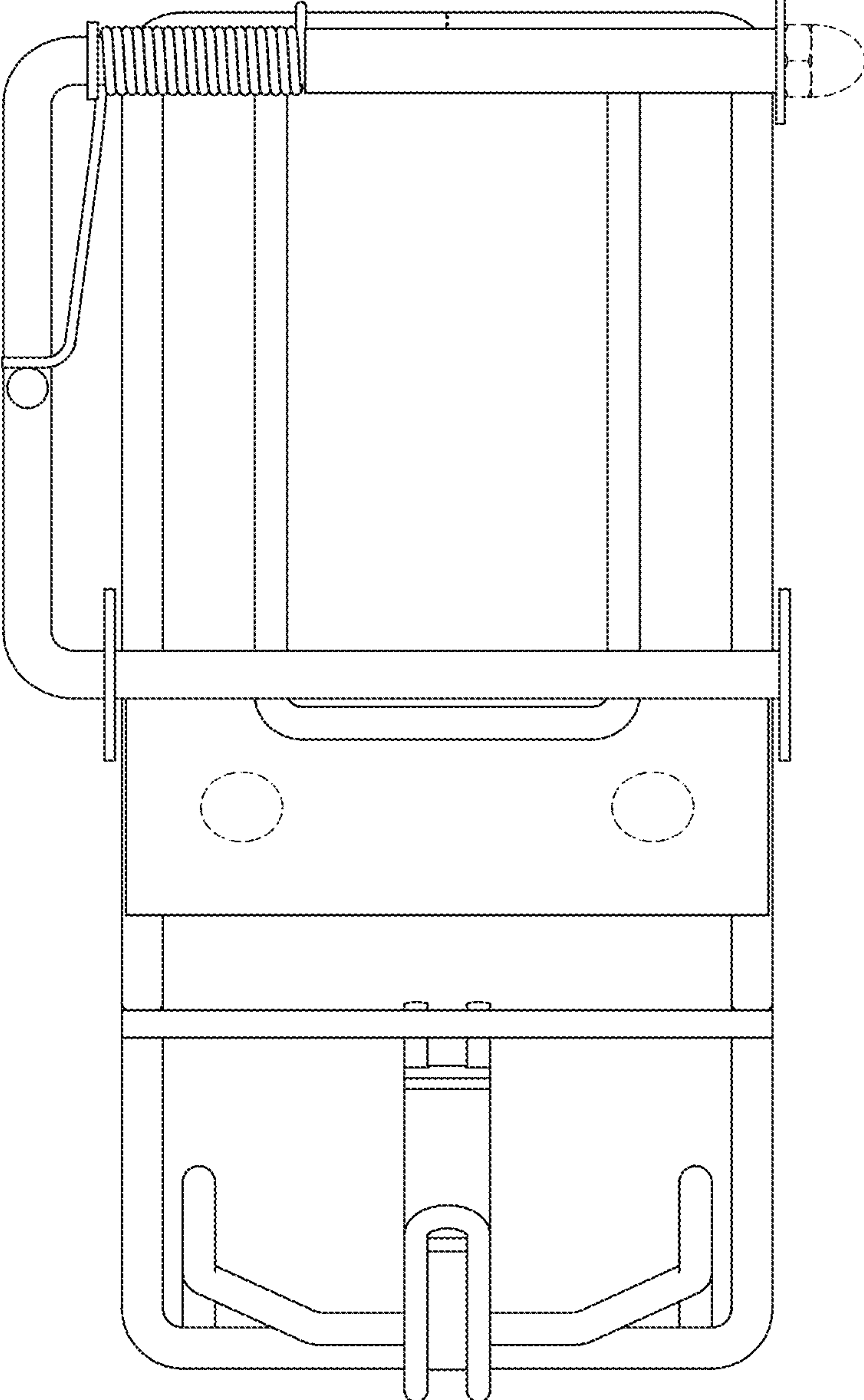


FIG. 6

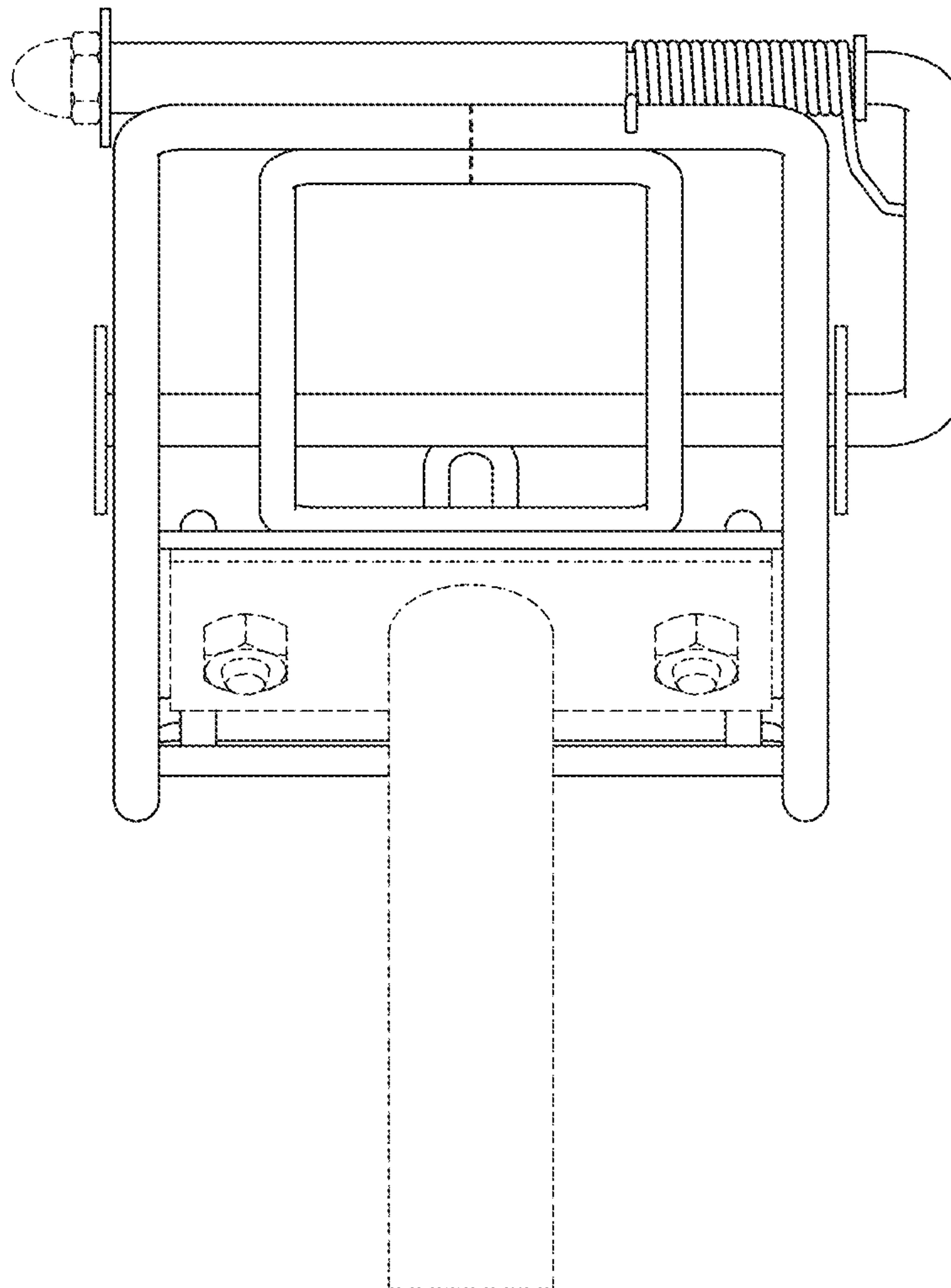


FIG. 7

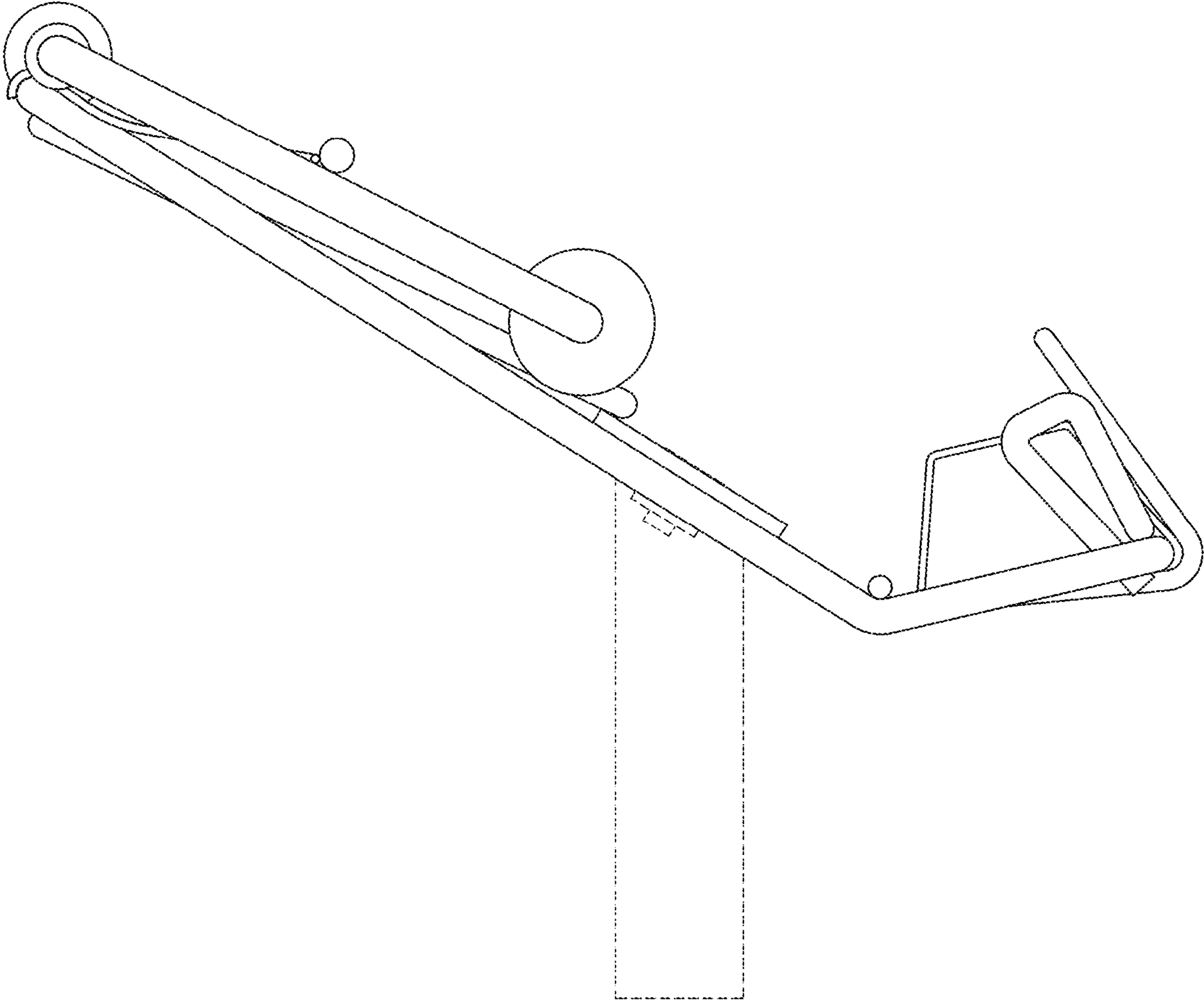


FIG. 8

