



US00D915095S

(12) **United States Design Patent** (10) **Patent No.:** **US D915,095 S**
Li (45) **Date of Patent:** **** Apr. 6, 2021**

(54) **CHAIR**

(71) Applicant: **39F USA INC**, Rancho Cucamonga, CA (US)

(72) Inventor: **Yuehai Li**, Rancho Cucamonga, CA (US)

(**) Term: **15 Years**

(21) Appl. No.: **29/711,780**

(22) Filed: **Nov. 2, 2019**

(51) **LOC (13) Cl.** **06-01**

(52) **U.S. Cl.**
USPC **D6/375**

(58) **Field of Classification Search**
 USPC D6/344, 367, 368, 373, 375, 380, 362, D6/370, 379, 716, 716.1, 716.4, 334, 360, D6/366, 369, 372, 374, 376
 CPC A47C 4/48; A47C 3/12; A47C 1/00; A47C 1/0246; A47C 1/024; A47C 3/00; A47C 3/029; A47C 3/027; A47C 3/02; A47C 3/04; A47C 3/20; A47C 4/00; A47C 4/02; A47C 4/03; A47C 4/04; A47C 4/021; A47C 5/12; A47C 7/021; A47C 7/004; A47C 7/006; A47C 7/18; A47C 7/40; A47C 7/44; A47C 7/46; A47C 7/54; A47C 7/402; A47C 7/441; A47C 7/443; A47C 7/445; A47C 7/467; A47C 7/543; A47C 9/002; A47C 31/126; A47C 7/02; Y10S 297/01; B60N 2/02; A63G 9/10; A63B 26/00; A63B 26/003; A63B 2225/62; A63B 2210/50; A63B 21/1609; A47D 13/10

See application file for complete search history.

(56) **References Cited**

U.S. PATENT DOCUMENTS

3,408,106	A *	10/1968	Bolling	A47C 5/12
					297/452.14
3,521,929	A *	7/1970	Pearson	A47C 7/02
					297/452.14
D288,388	S *	2/1987	Ochsner	D6/366
D550,465	S *	9/2007	Bouroullec	D6/334
D579,224	S *	10/2008	Fancelli	D6/372
D582,173	S *	12/2008	Dordoni	D6/369
D607,225	S *	1/2010	Bauchet	D6/375
D664,381	S *	7/2012	Kubryk	D6/716
D799,874	S *	10/2017	Swy	D6/716
D858,122	S *	9/2019	Natuzzi	D6/334
D871,788	S *	1/2020	Gori	D6/360
D886,484	S *	6/2020	Li	D6/374

* cited by examiner

Primary Examiner — Kevin K Rudzinski
Assistant Examiner — Paul D Bohannon
 (74) *Attorney, Agent, or Firm* — Feng Qian

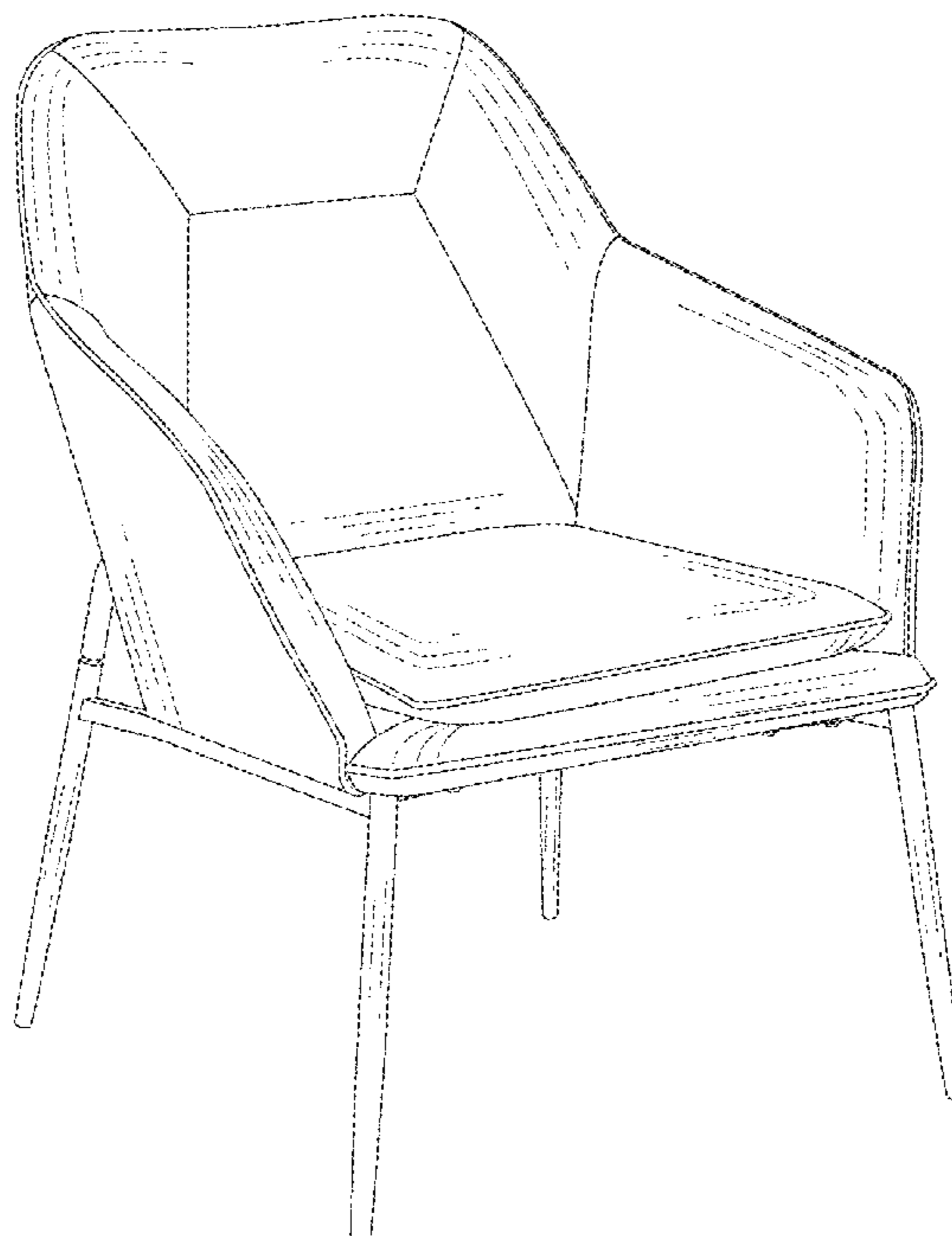
(57) **CLAIM**

The ornamental design for a chair, as shown and described.

DESCRIPTION

FIG. 1 is a front perspective view of a chair showing my new design;
 FIG. 2 is a front elevation view thereof;
 FIG. 3 is a rear elevation view thereof;
 FIG. 4 is a left-side elevation view thereof;
 FIG. 5 is a right-side elevation view thereof;
 FIG. 6 is atop plan view thereof; and,
 FIG. 7 is a bottom plan view thereof.

1 Claim, 7 Drawing Sheets



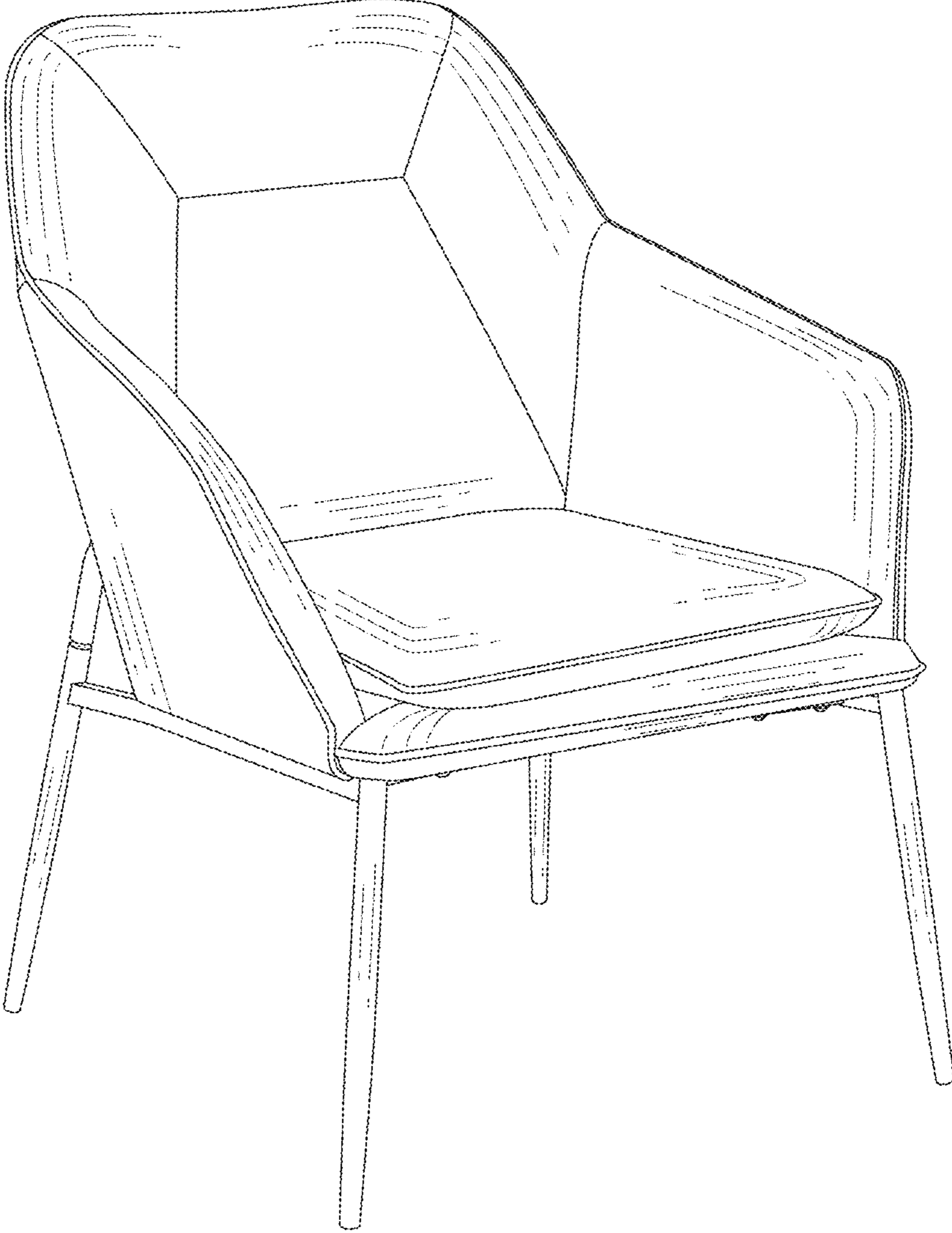


Fig.1

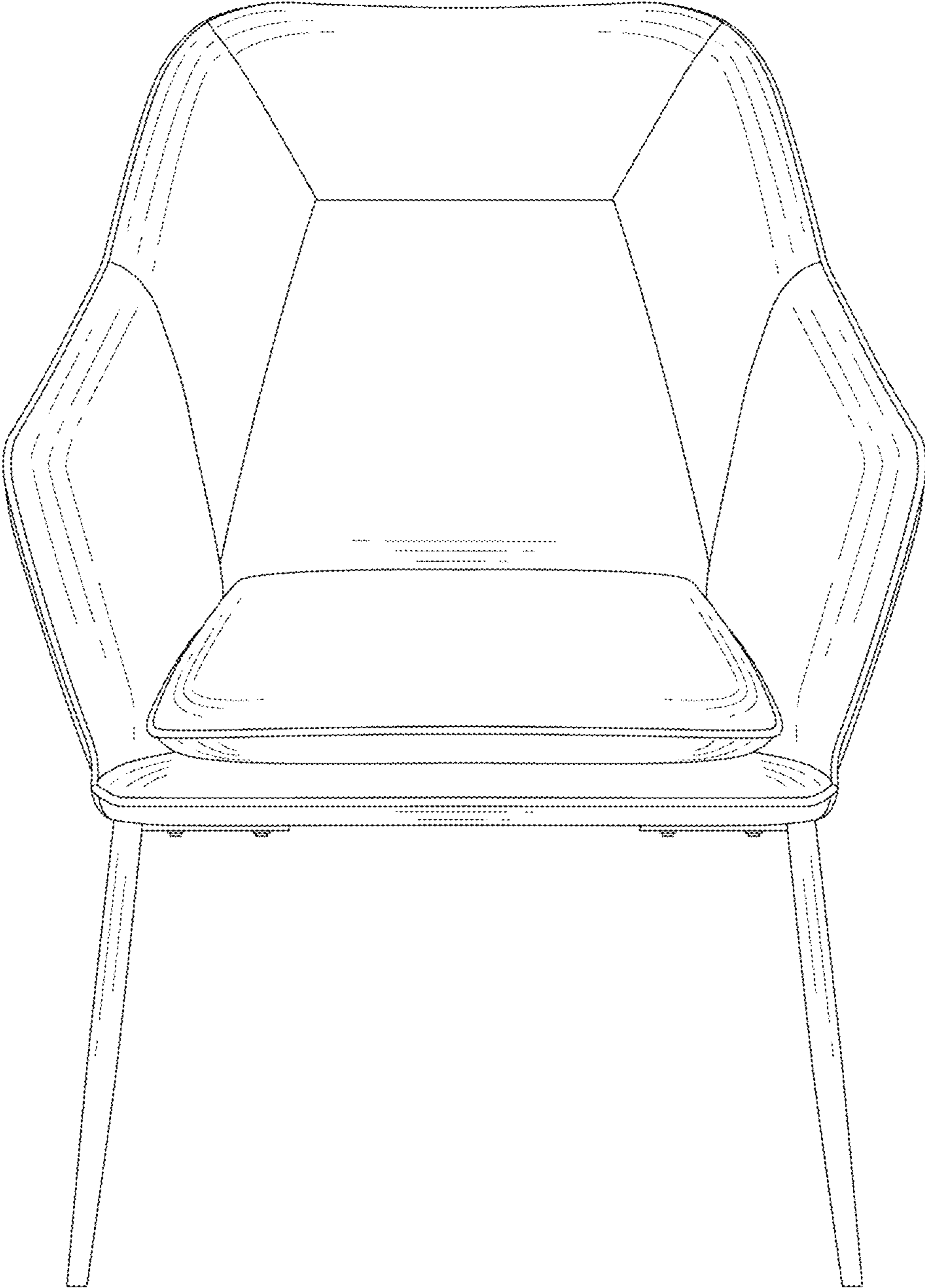


Fig.2

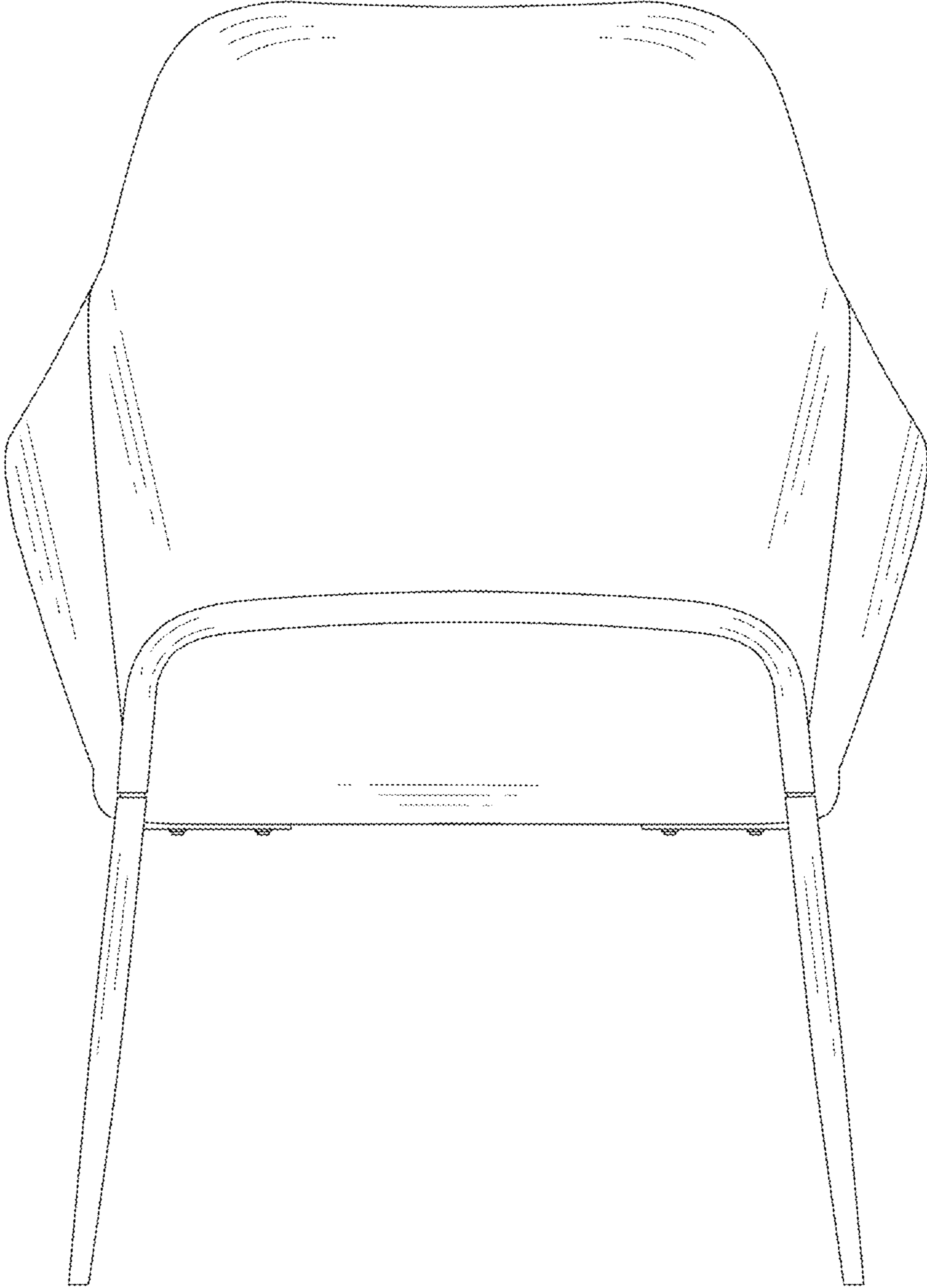


Fig.3

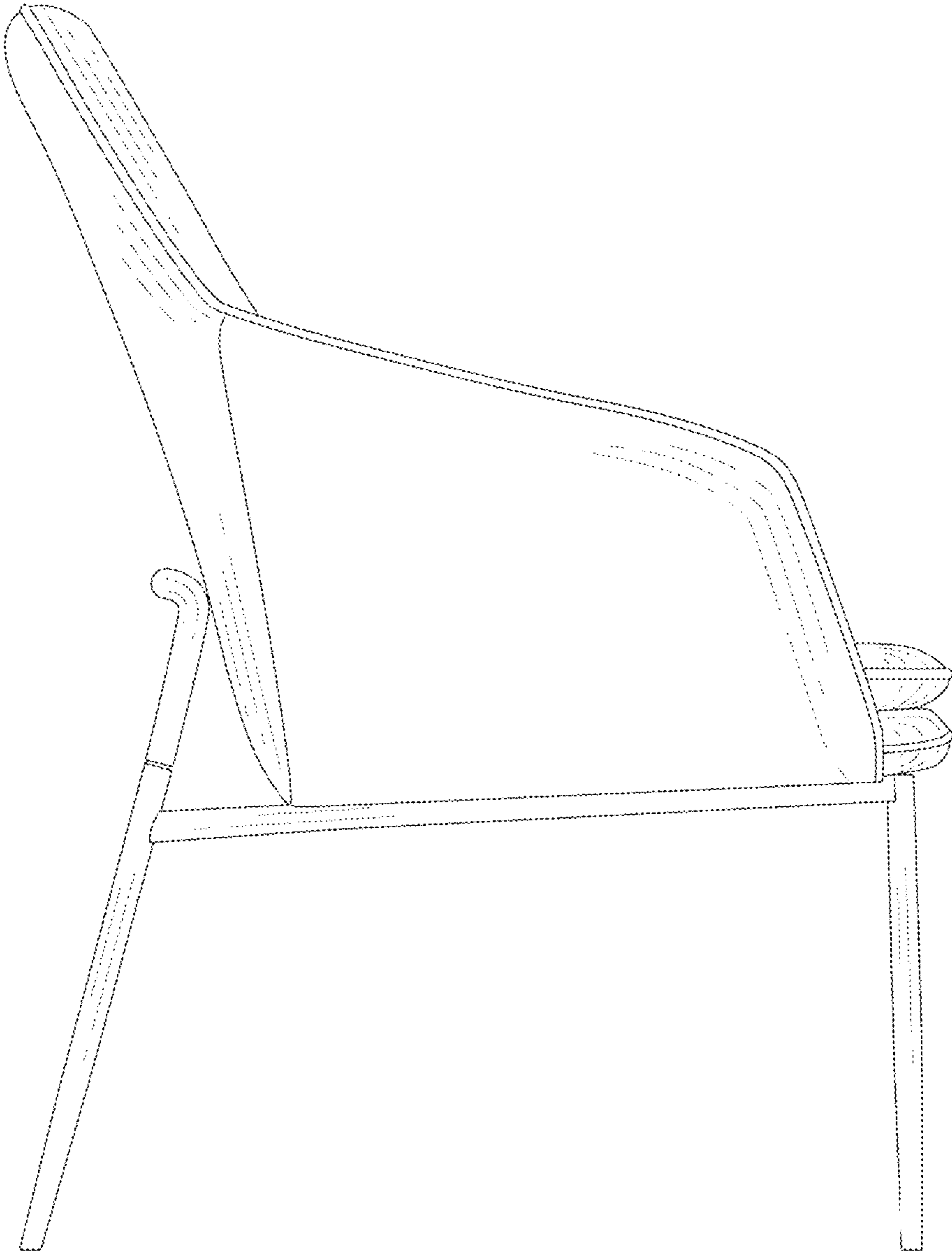


Fig.4

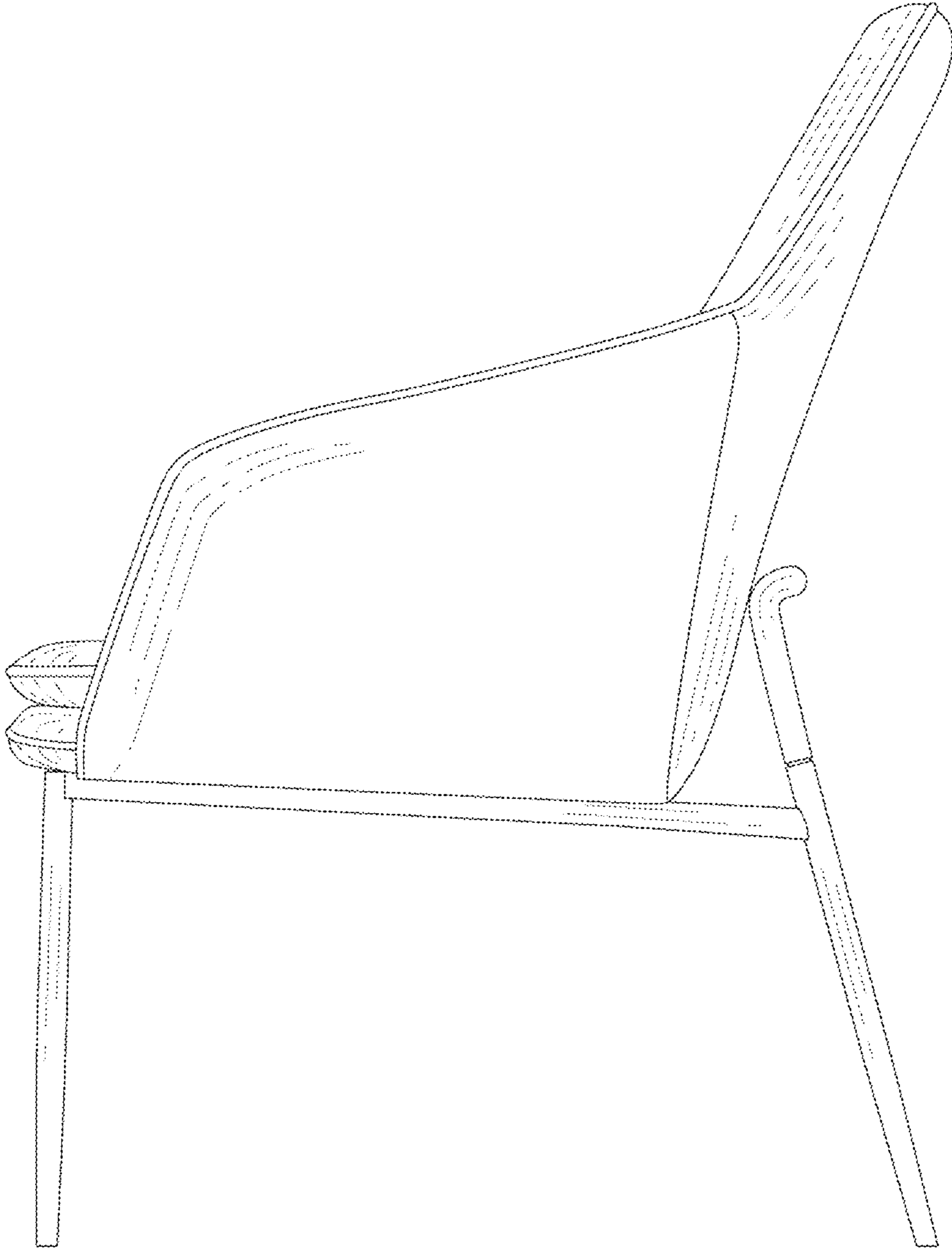


Fig.5

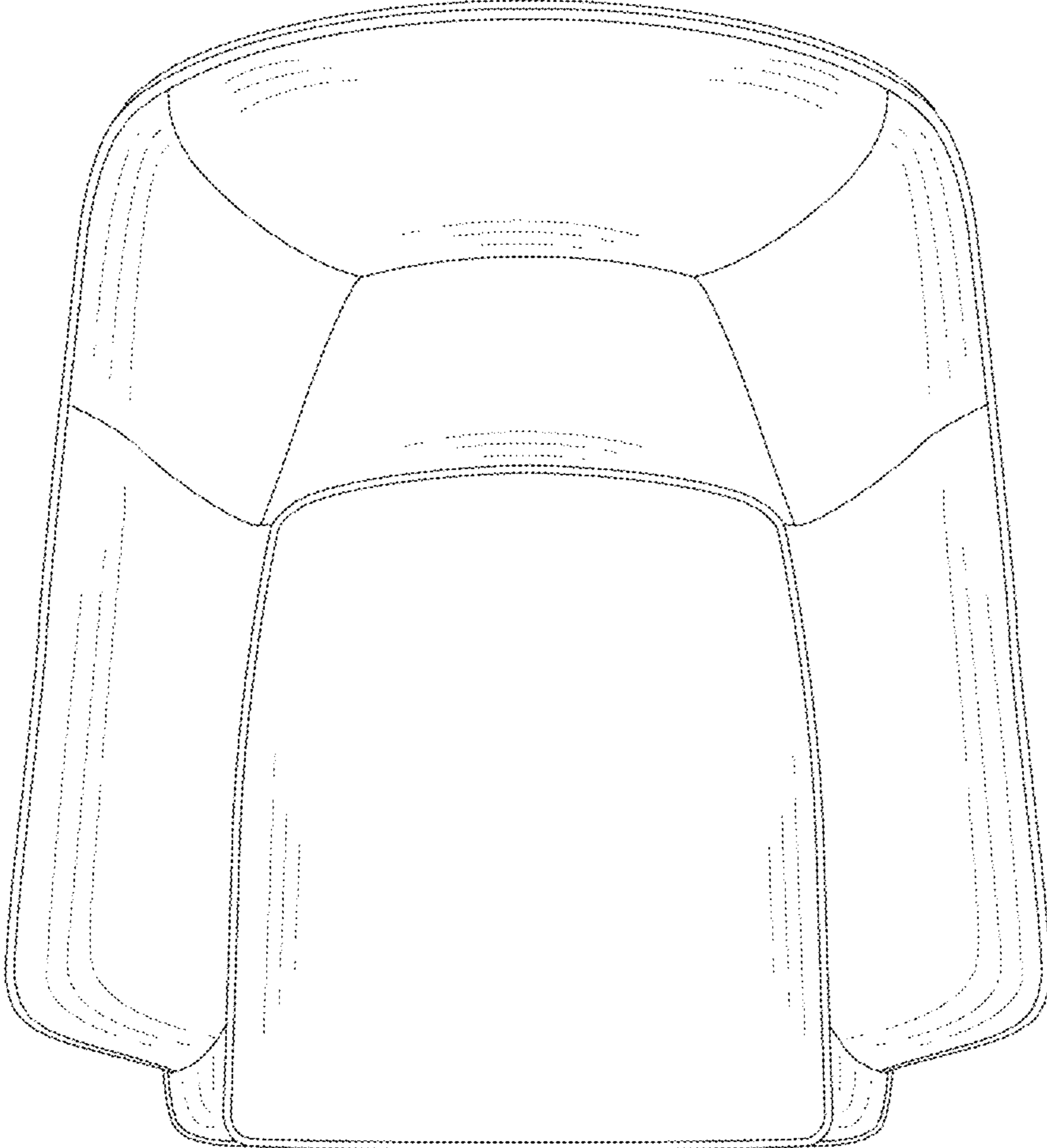


Fig.6

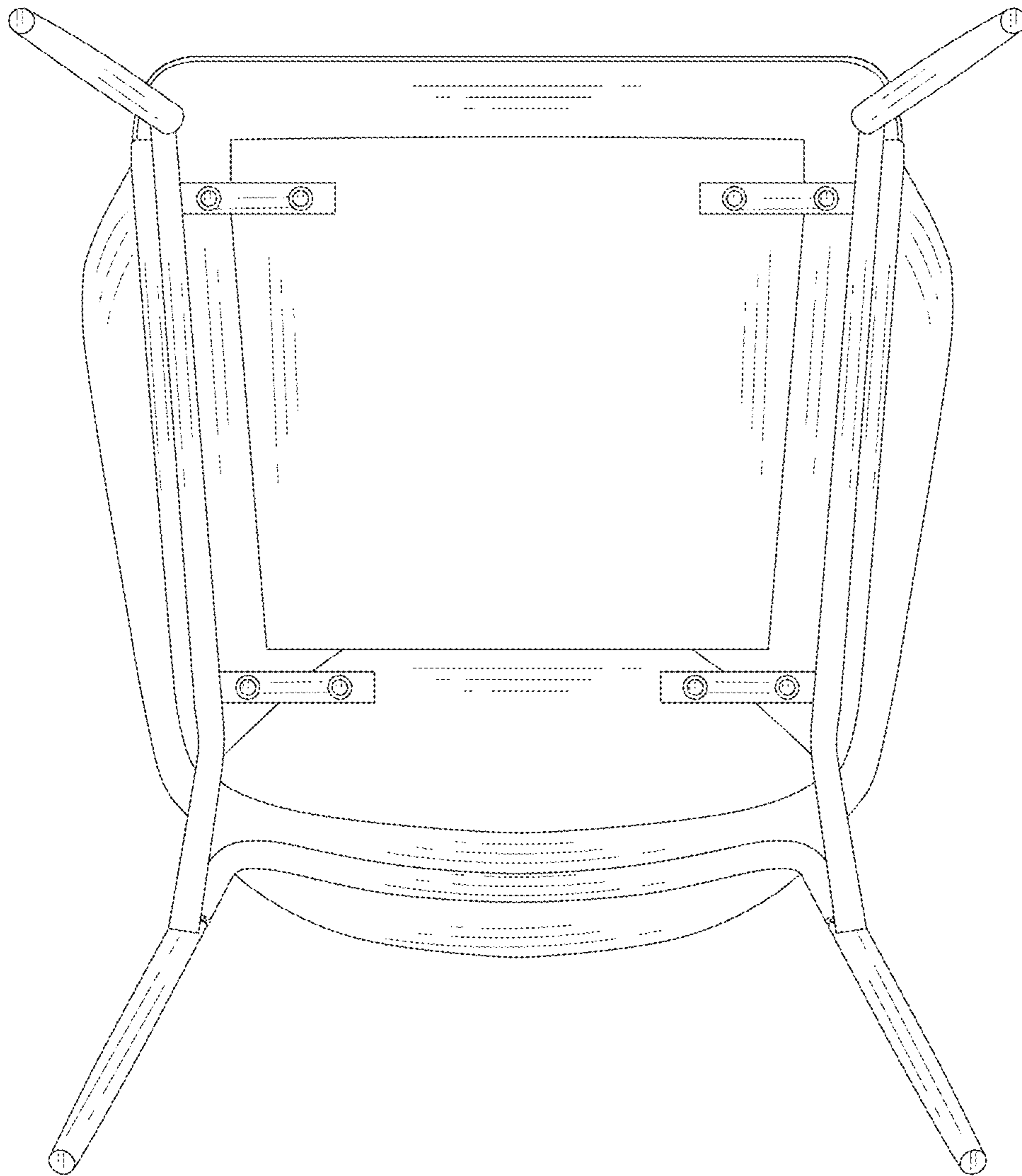


Fig. 7