



US00D915093S

(12) **United States Design Patent**
Shen

(10) **Patent No.:** **US D915,093 S**

(45) **Date of Patent:** **** Apr. 6, 2021**

(54) **CHAIR**

(71) Applicant: **NINGBO SAILI ELECTRONIC TECHNOLOGY CO., LTD**, Ningbo (CN)

(72) Inventor: **Diming Shen**, Cixi (CN)

(73) Assignee: **NINGBO SAILI ELECTRONIC TECHNOLOGY CO., LTD**, Ningbo (CN)

(**) Term: **15 Years**

(21) Appl. No.: **29/759,751**

(22) Filed: **Nov. 25, 2020**

(51) **LOC (13) Cl.** **06-01**

(52) **U.S. Cl.**
USPC **D6/366**

(58) **Field of Classification Search**
USPC D6/334, 364, 365, 366, 367, 369, 375, D6/379, 380
CPC A47C 3/00; A47C 3/18; A47C 3/20; A47C 3/026; A47C 1/00; A47C 1/02; A47C 1/022; A47C 1/037; A47C 7/24; A47C 7/36; A47C 7/46

See application file for complete search history.

(56) **References Cited**

U.S. PATENT DOCUMENTS

D809,313 S *	2/2018	Mao	D6/366
D847,526 S	5/2019	Wang		
D851,435 S *	6/2019	Shen	D6/716
D852,563 S *	7/2019	Shen	D6/716
D854,846 S *	7/2019	Shen	D6/366
D856,696 S *	8/2019	Shen	D6/366
D856,698 S *	8/2019	Shen	D6/366
D878,790 S	3/2020	Wang		
D879,493 S *	3/2020	Peng	D6/366

D885,779 S *	6/2020	Li	D6/366
D891,136 S *	7/2020	Wu	D6/366
D897,709 S *	10/2020	Li	D6/366
D910,329 S *	2/2021	Wang	D6/366
D911,053 S *	2/2021	Palma	D6/366
D911,055 S *	2/2021	Wang	D6/366

OTHER PUBLICATIONS

Newegg. <https://www.newegg.com/grey-bossin-computer-gaming/p/2T4-01VY-00001>. "BOSSIN Racing Style Gaming Chair". Reviewed Jan. 30, 2019 (Year: 2019).*

* cited by examiner

Primary Examiner — R. Johnson

(57) **CLAIM**

The ornamental design for a chair, as shown and described.

DESCRIPTION

FIG. 1 is a perspective view of a chair showing my new design;

FIG. 2 is another perspective view thereof;

FIG. 3 is a front elevational view thereof;

FIG. 4 is a rear elevational view thereof;

FIG. 5 is a left side elevational view thereof;

FIG. 6 is a right side elevational view thereof;

FIG. 7 is a top plan view thereof;

FIG. 8 is a bottom plan view thereof;

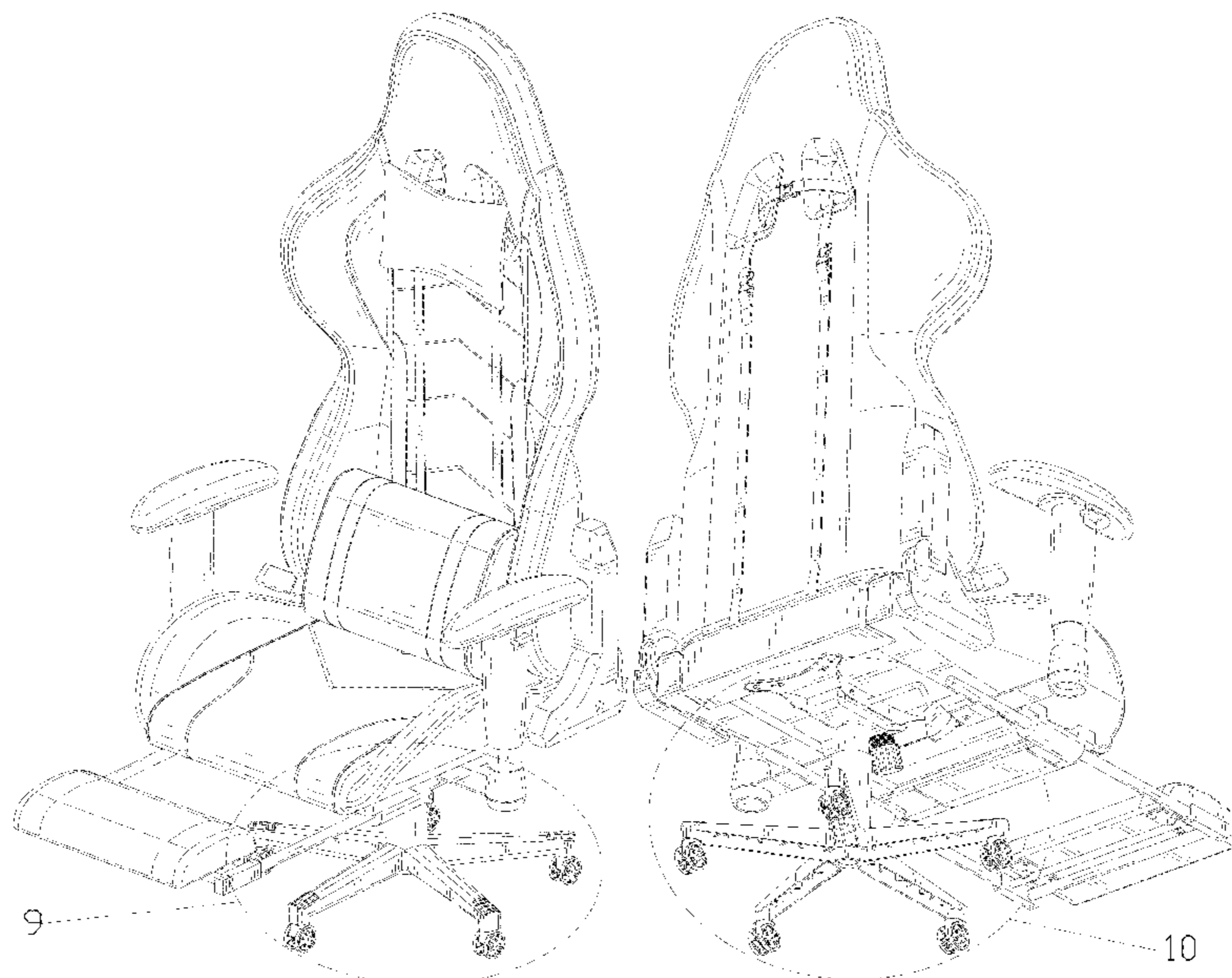
FIG. 9 is an enlarged view of the portion taken at line 9 shown in FIG. 1;

FIG. 10 is an enlarged view of the portion taken at line 10 shown in FIG. 2; and,

FIG. 11 is an enlarged view of the portion taken at line 11 shown in FIG. 3.

The broken lines in the drawings depict portions of the chair that form no part of the claimed design.

1 Claim, 11 Drawing Sheets



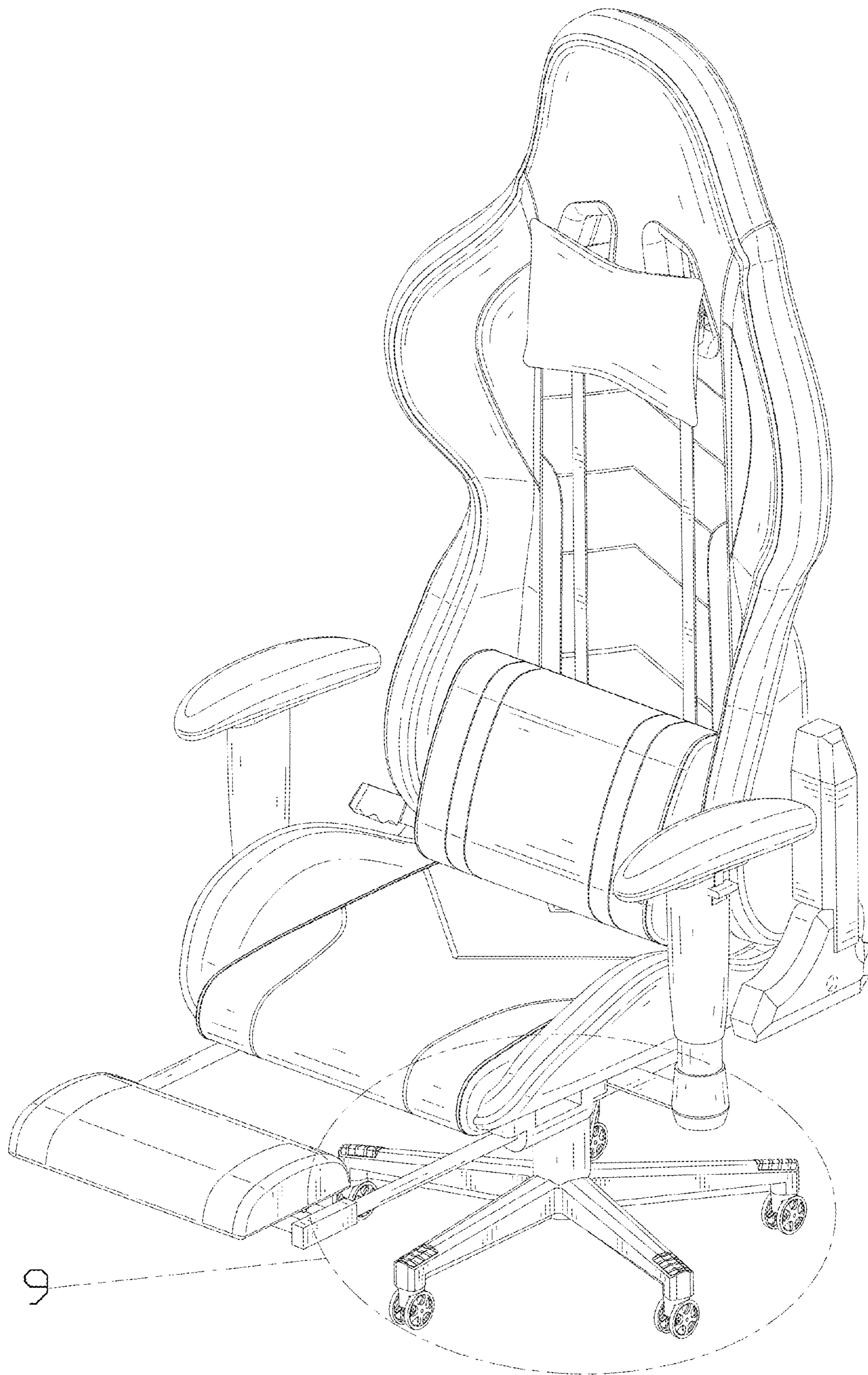


FIG. 1

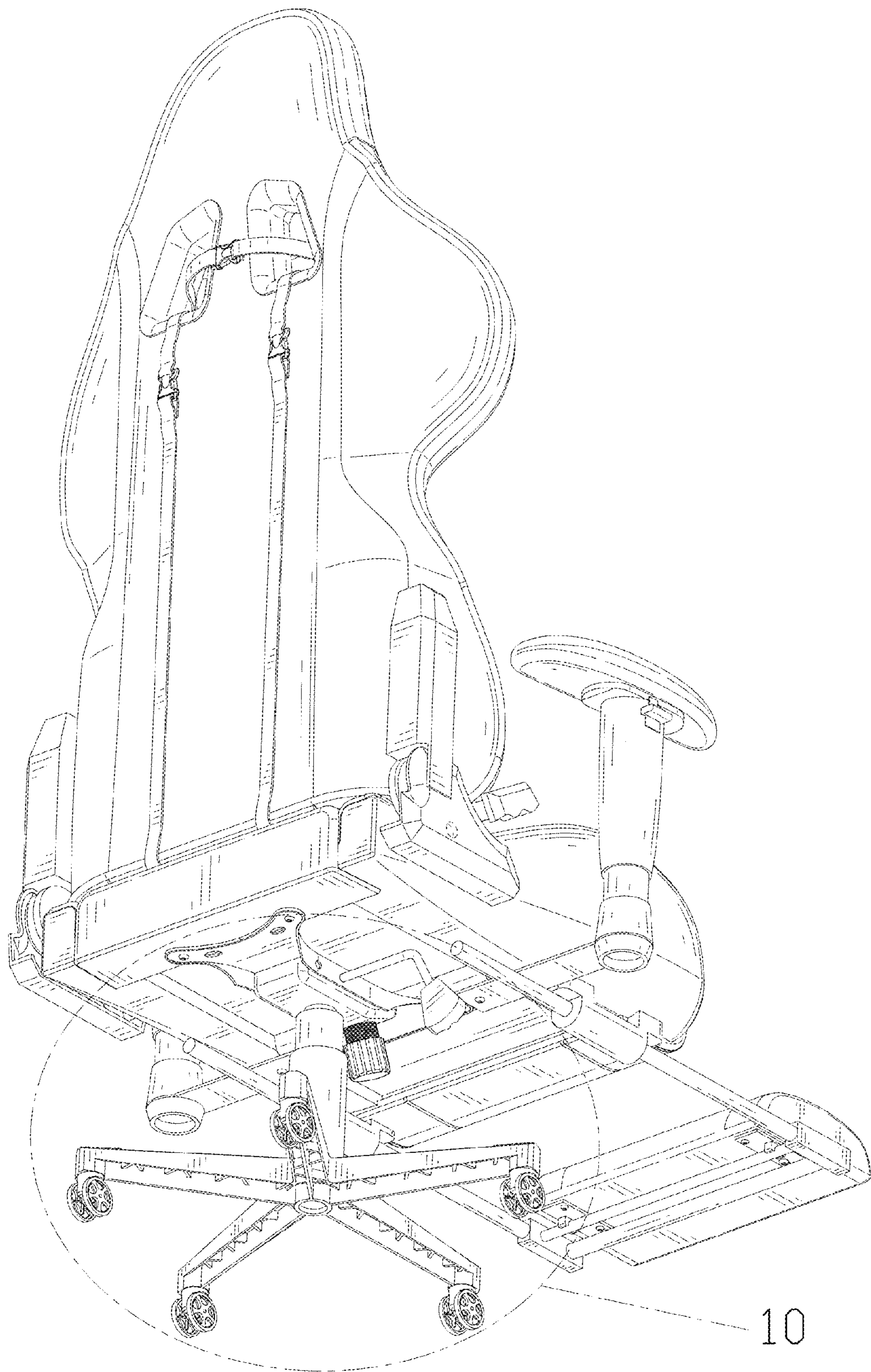


FIG. 2

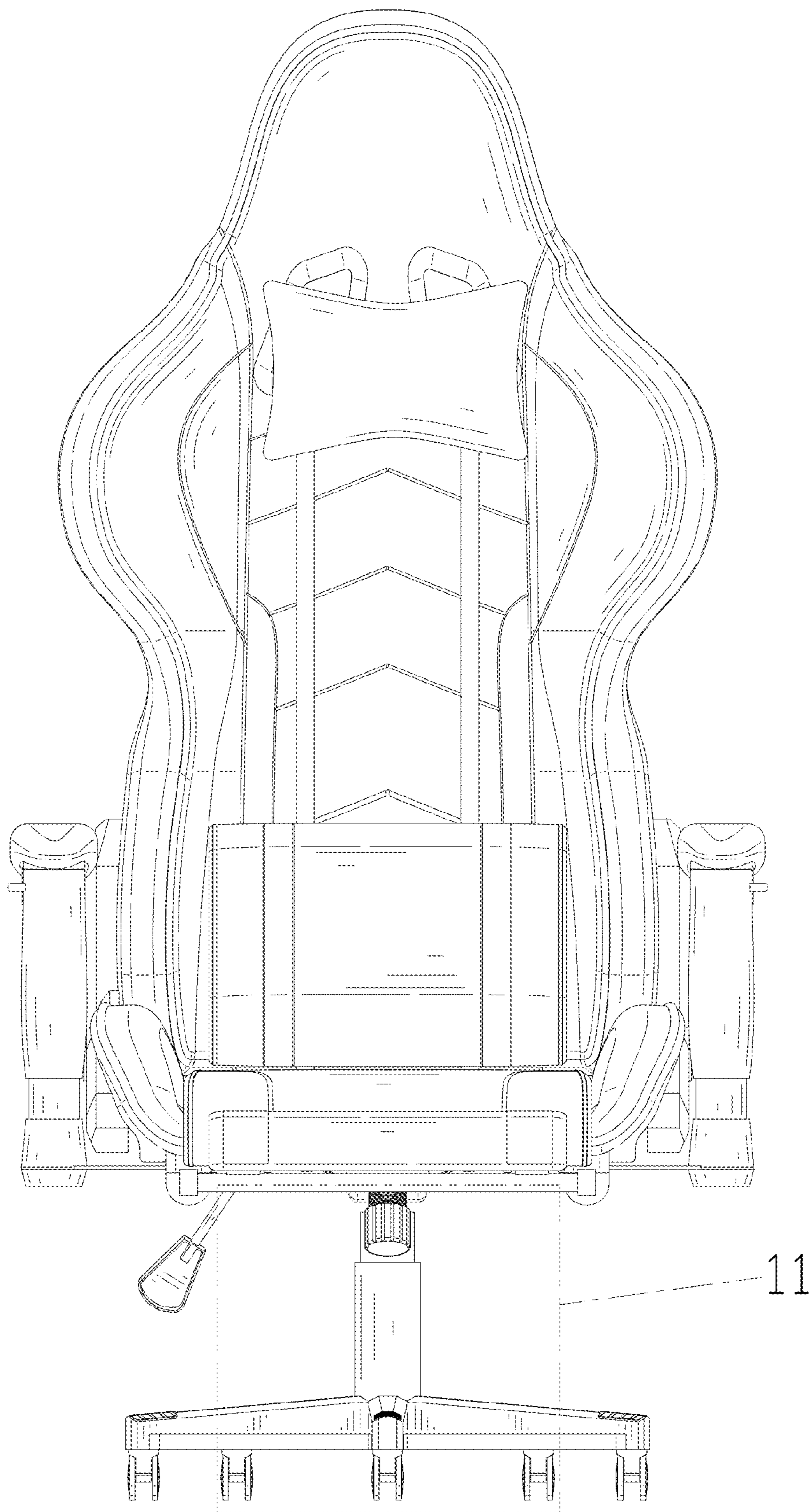


FIG. 3

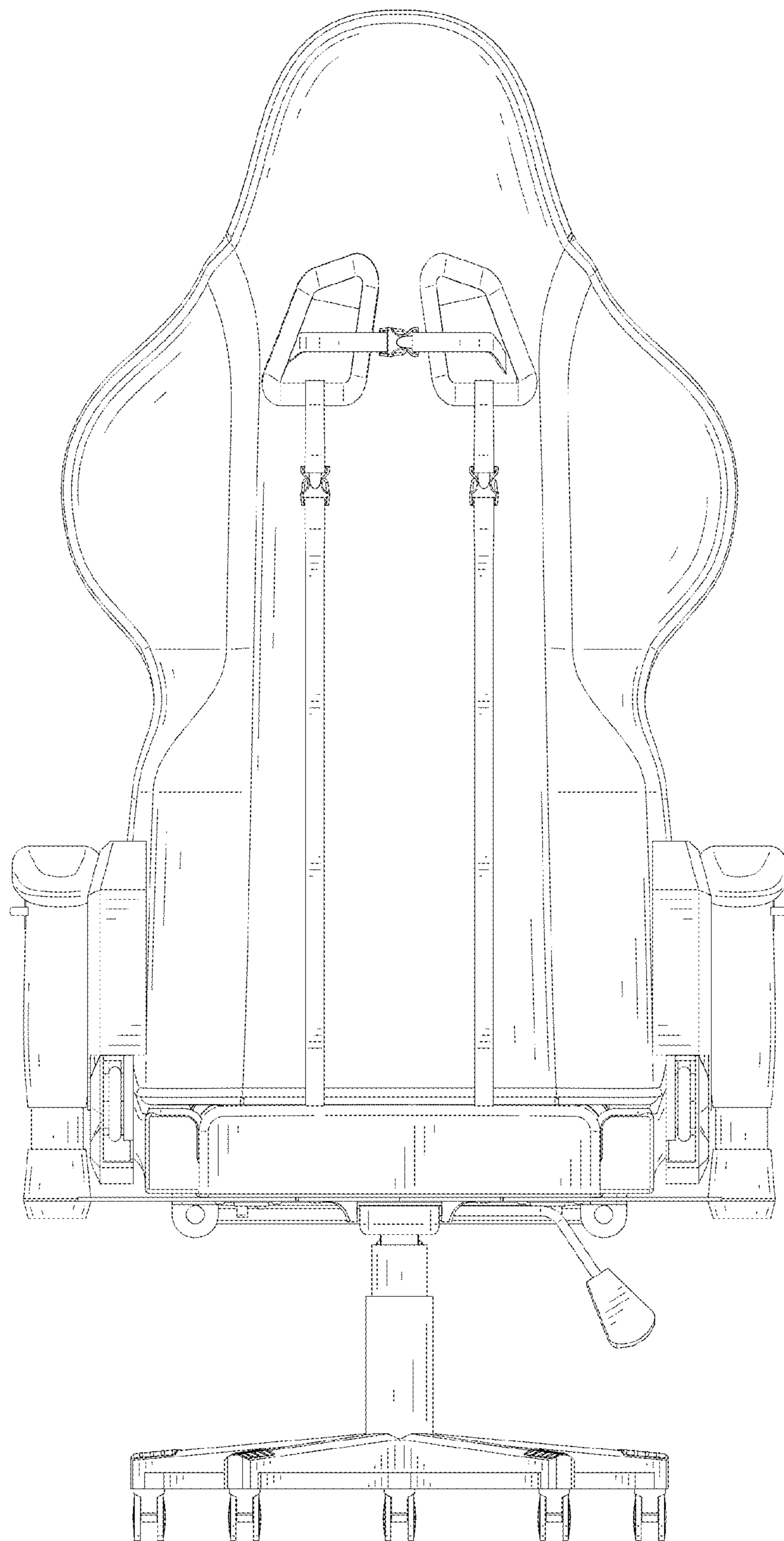


FIG. 4

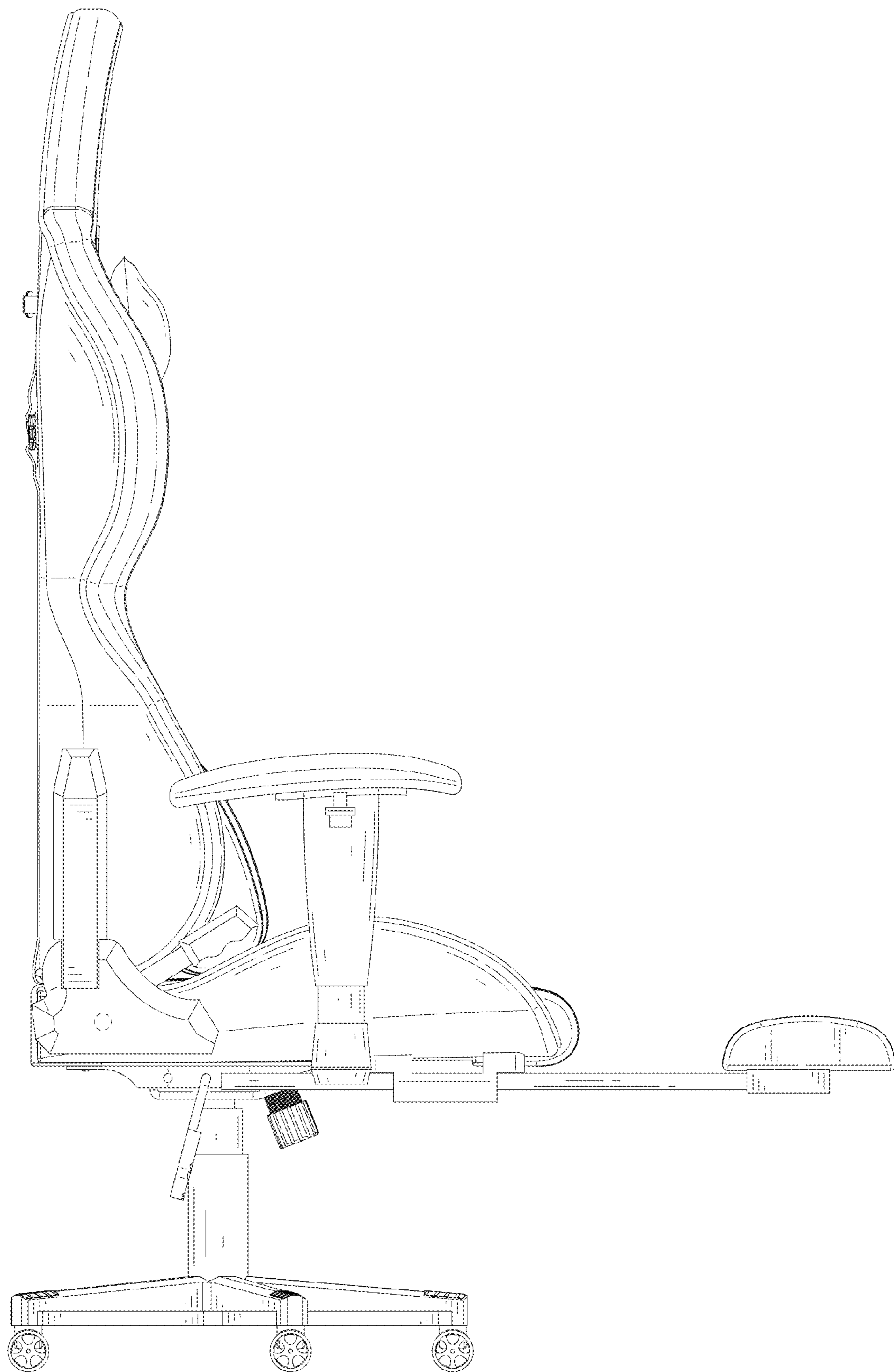


FIG. 5

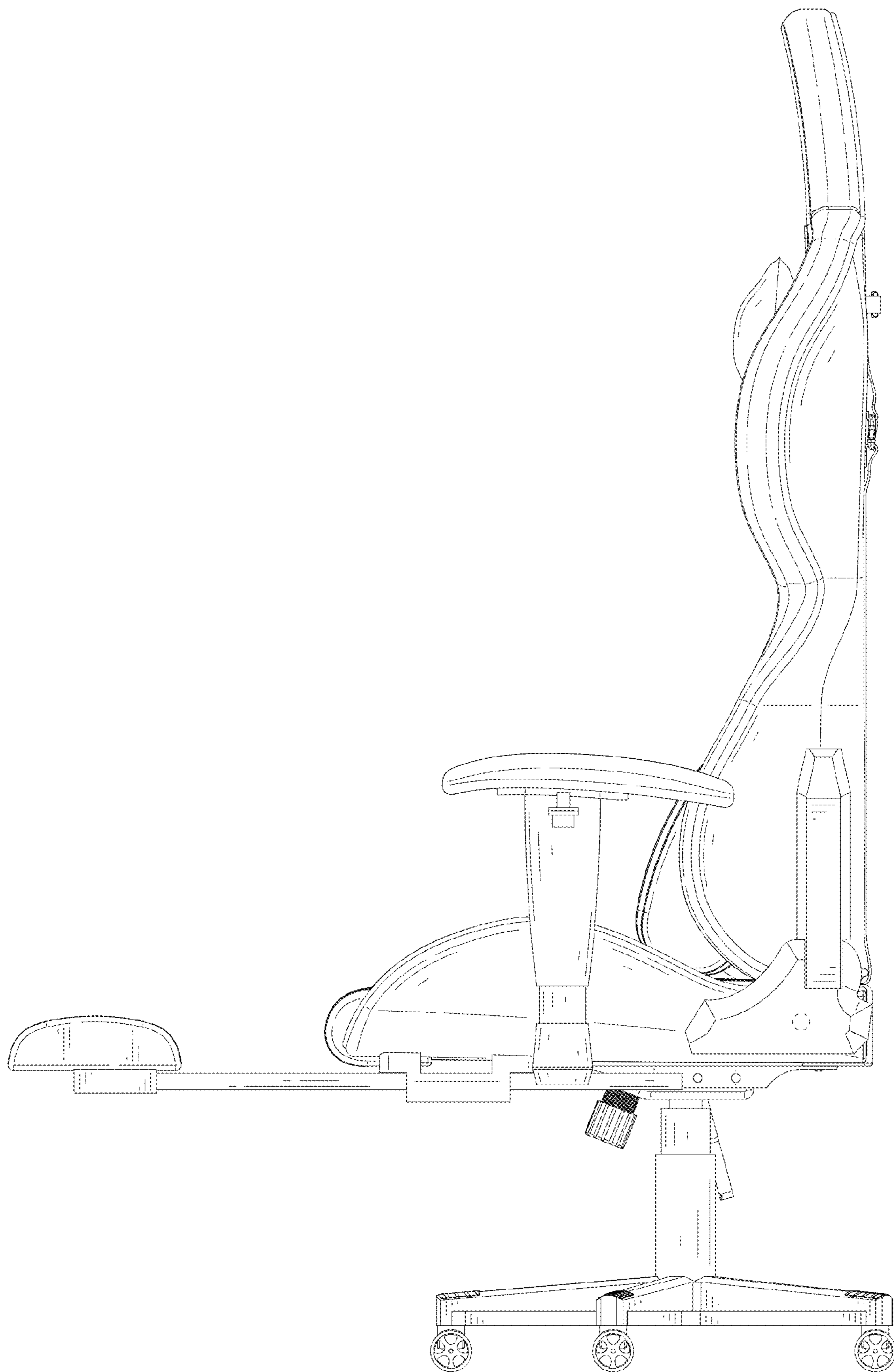


FIG. 6

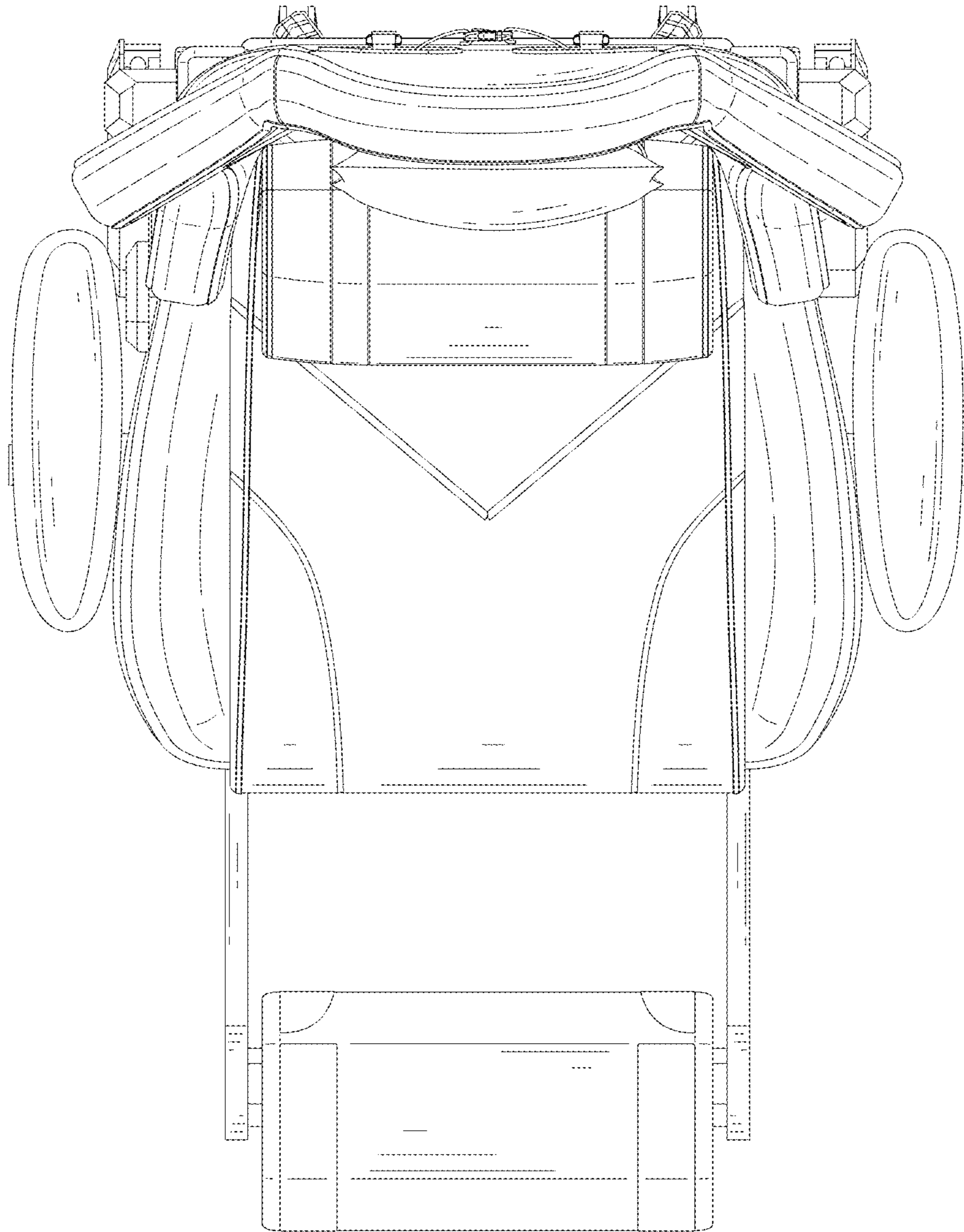


FIG. 7

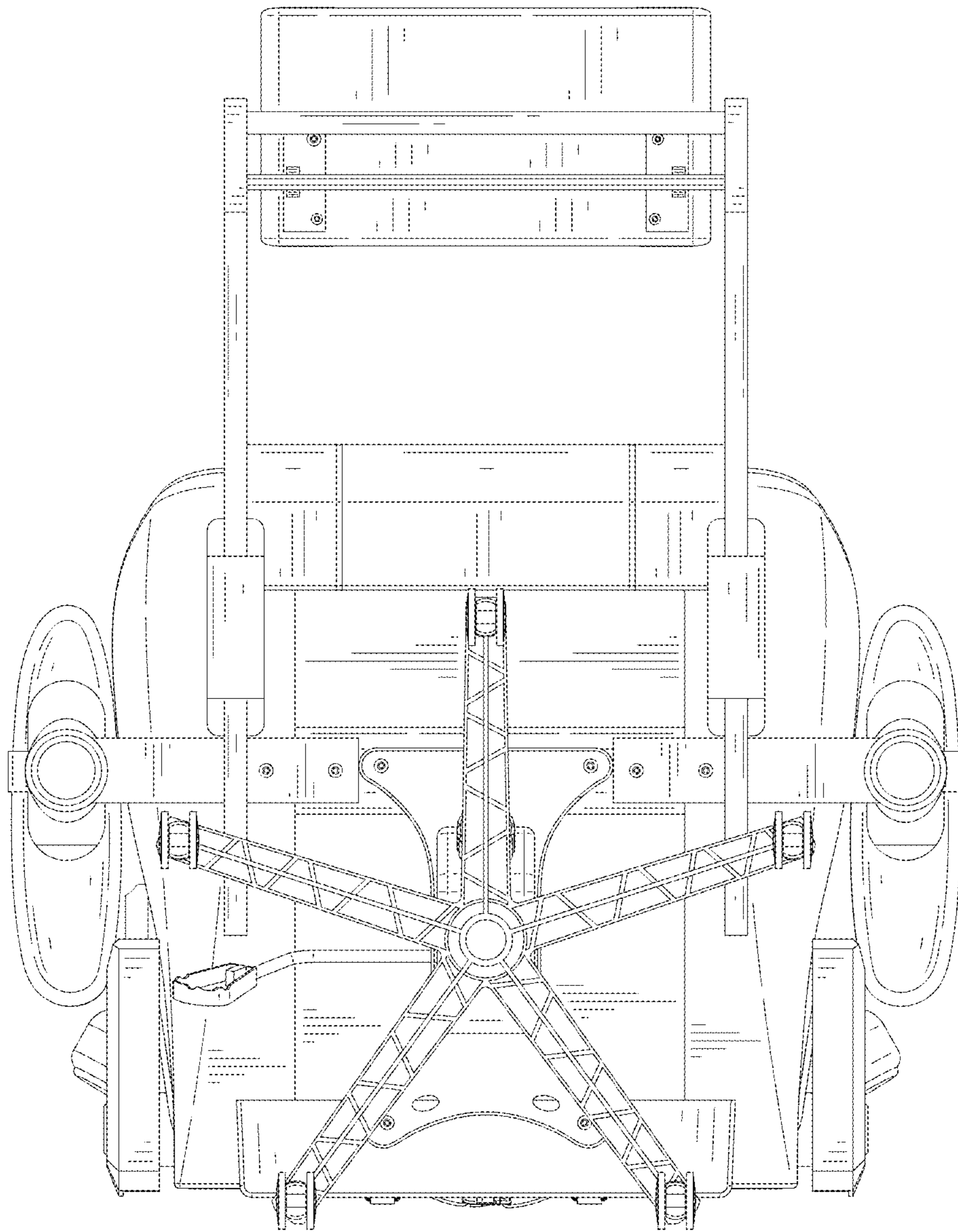


FIG. 8

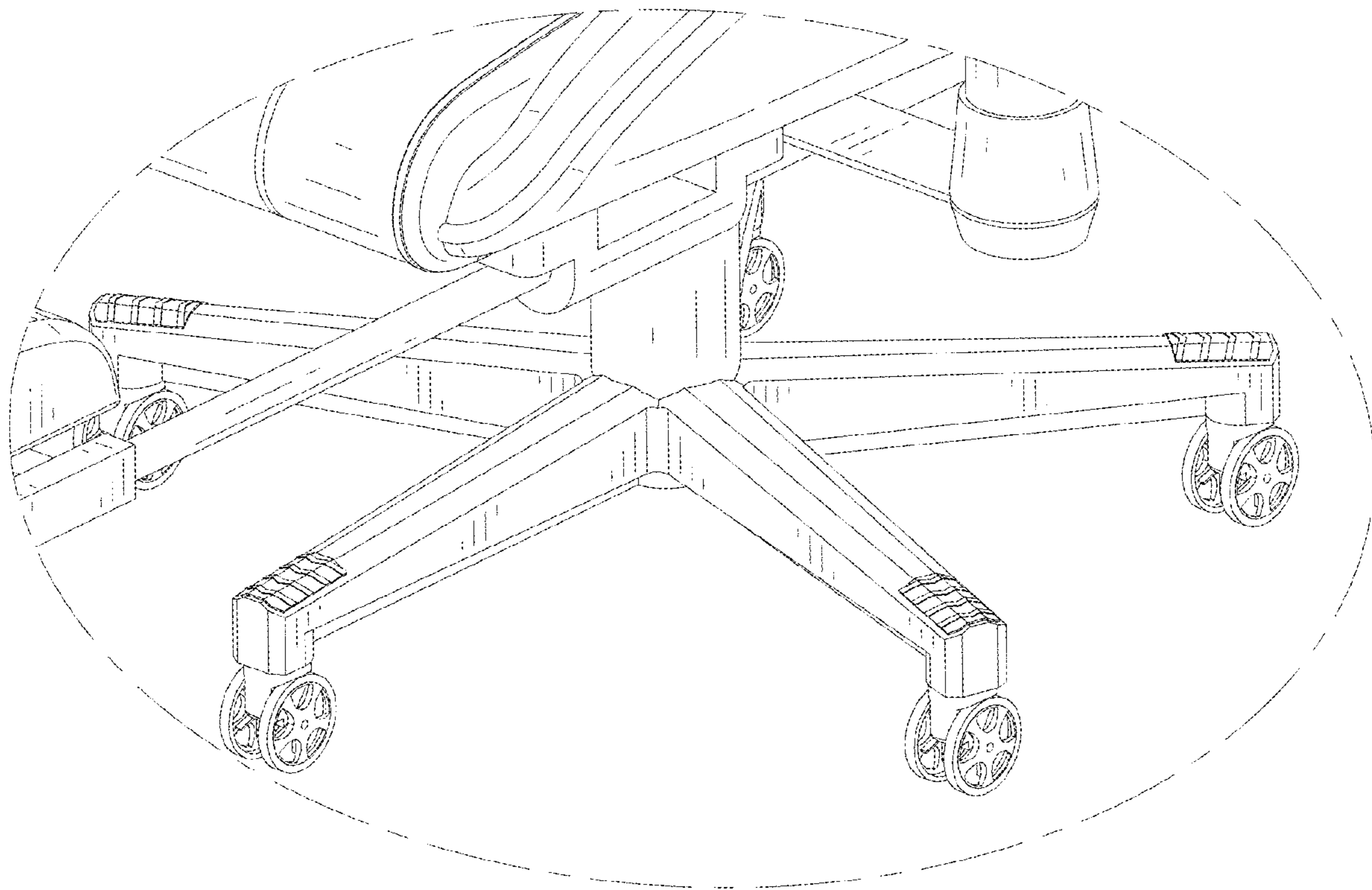


FIG. 9

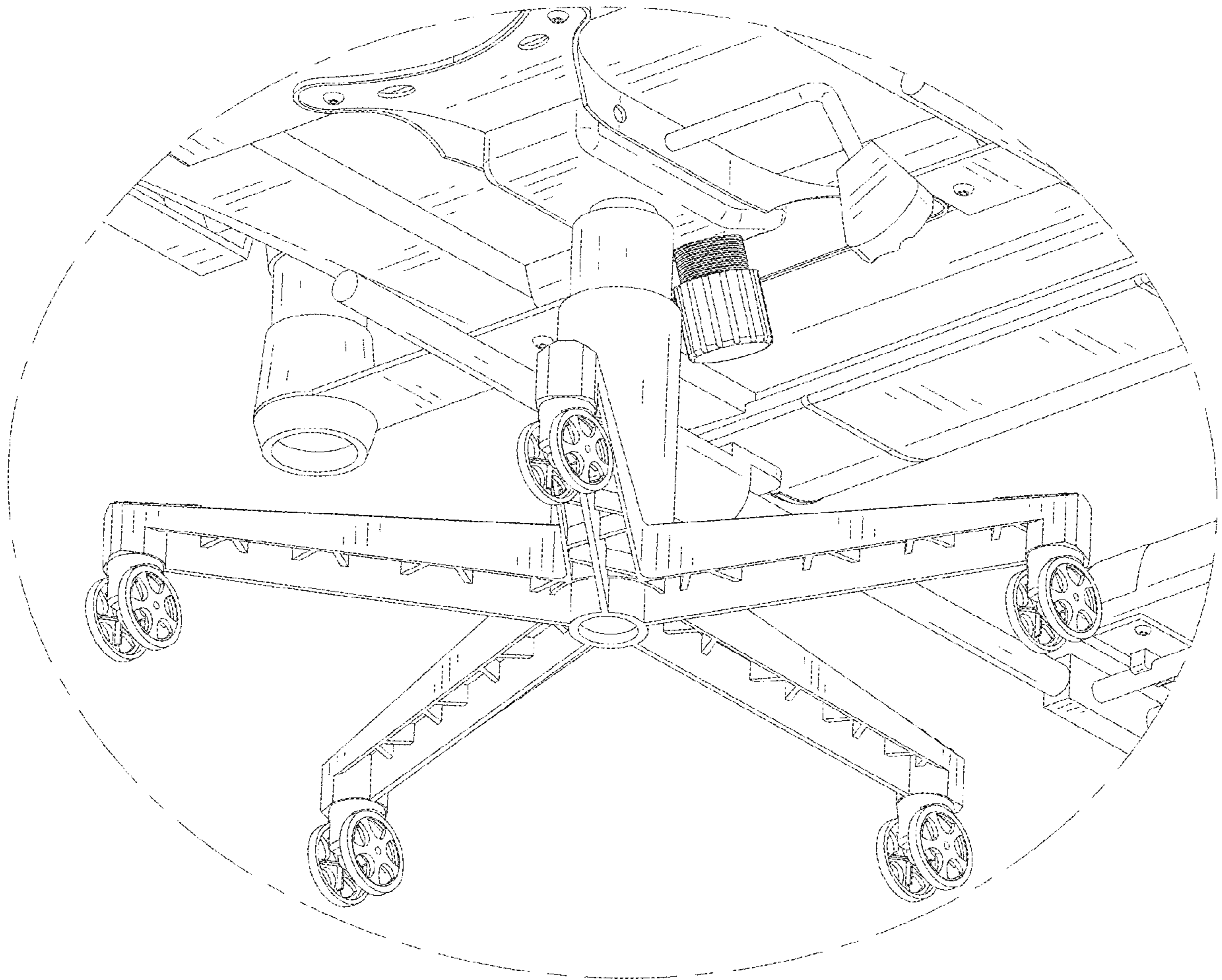


FIG. 10

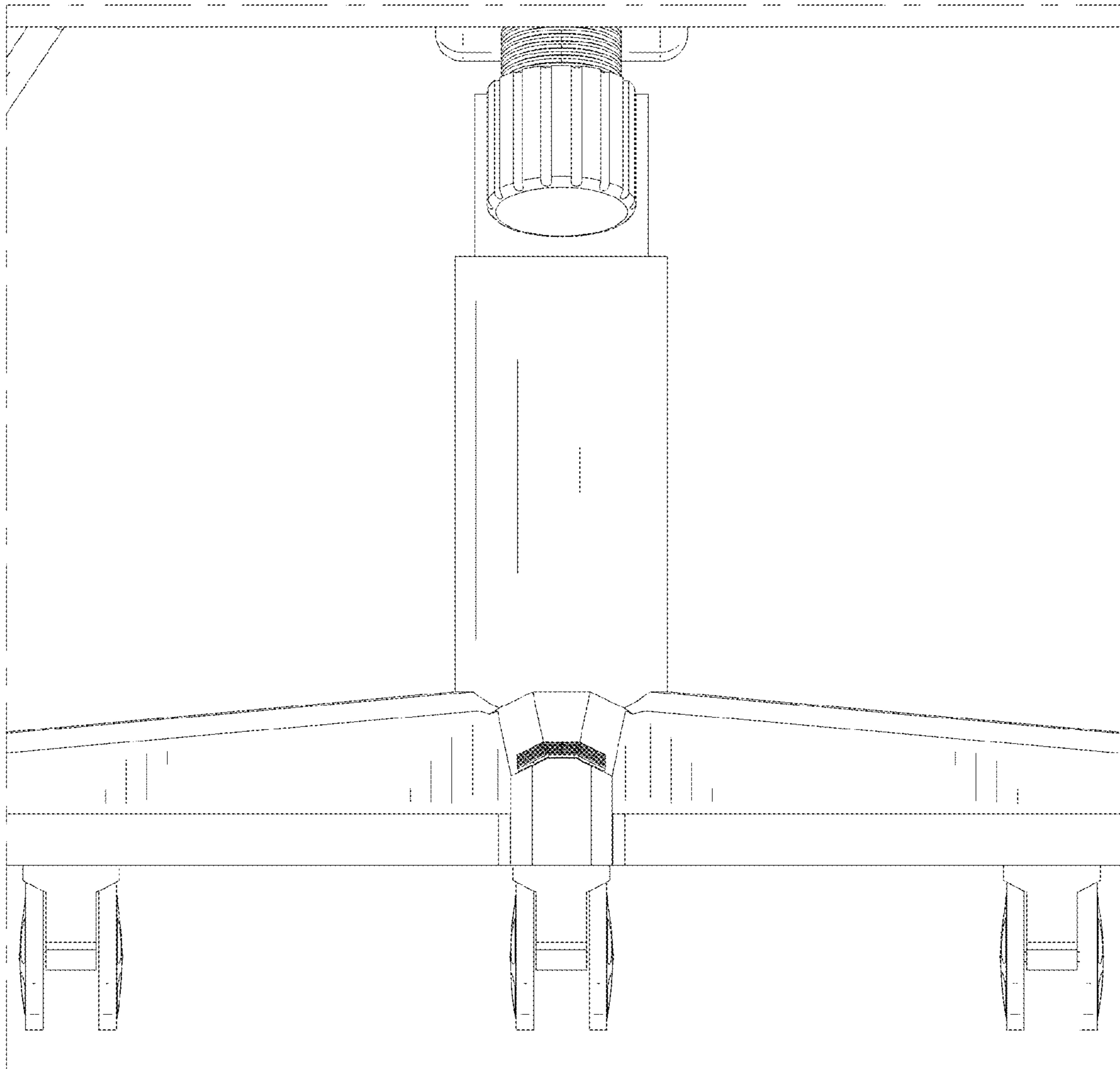


FIG. 11