



US00D915090S

(12) **United States Design Patent** (10) **Patent No.:** **US D915,090 S**
Zhang et al. (45) **Date of Patent:** **** Apr. 6, 2021**

(54) **SEAT ASSEMBLY**

DESCRIPTION

(71) Applicant: **GUANGZHOU AUTOMOBILE GROUP CO., LTD.**, Guangdong (CN)
(72) Inventors: **Mingyang Zhang**, Guangdong (CN); **Heymin Kim**, Guangdong (CN); **Dieudonne Achille Kabongo**, Guangdong (CN); **Jonathan Allen Wicks**, Guangdong (CN); **Jiahuan Huang**, Guangdong (CN); **Joan Pontus Anthony Fontaeus**, Guangdong (CN)
(73) Assignee: **GUANGZHOU AUTOMOBILE GROUP CO., LTD.**, Guangzhou (CN)

(**) Term: **15 Years**
(21) Appl. No.: **29/696,184**
(22) Filed: **Jun. 26, 2019**

(30) **Foreign Application Priority Data**
Dec. 29, 2018 (CN) 201830772634.8
(51) **LOC (13) Cl.** **06-01**
(52) **U.S. Cl.**
USPC **D6/356**
(58) **Field of Classification Search**
USPC D6/334-336, 356, 364, 367, 368, 374, D6/375, 380, 716, 716.1, 716.4, 716.5
(Continued)

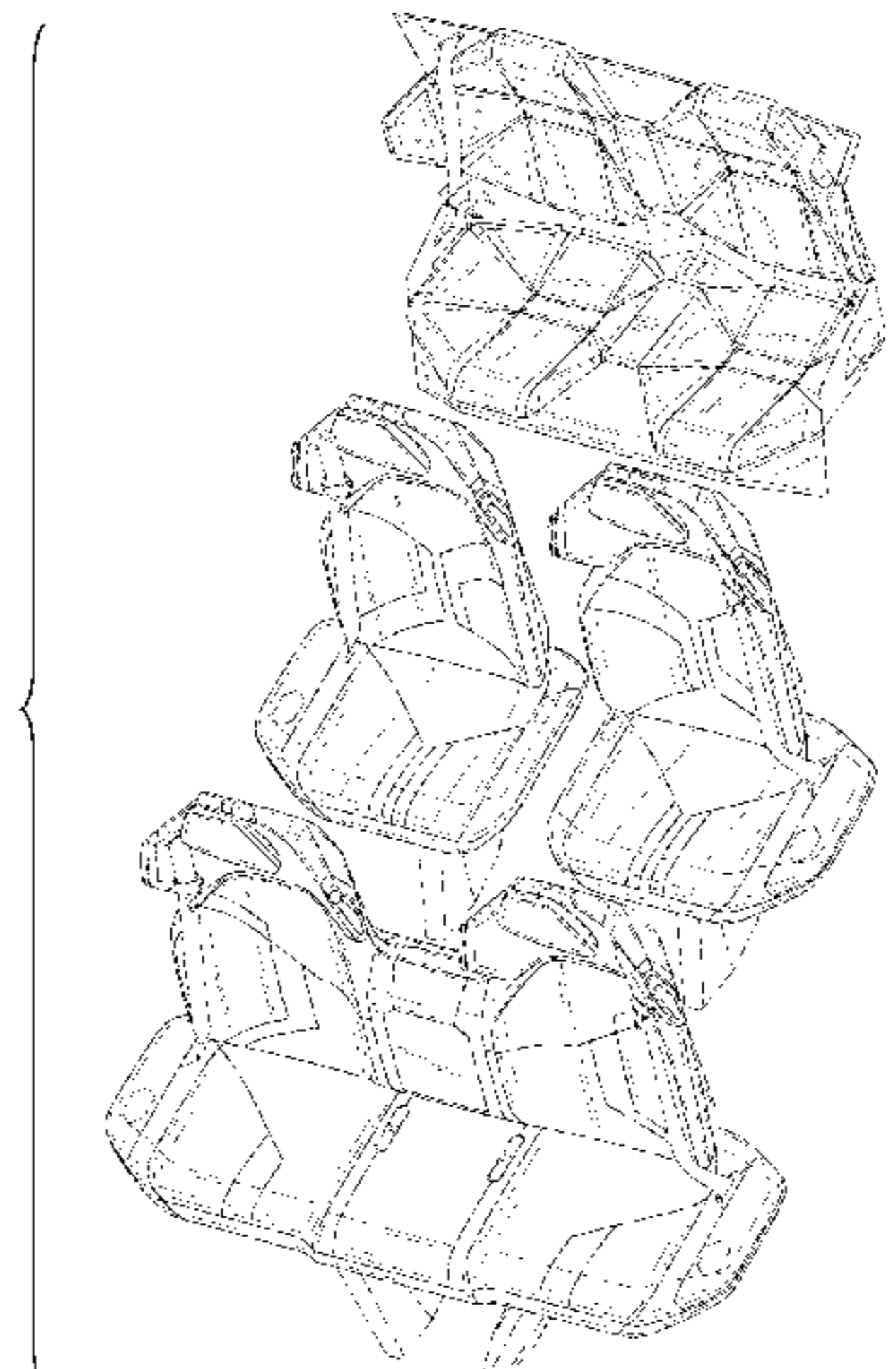
(56) **References Cited**
U.S. PATENT DOCUMENTS
D576,811 S * 9/2008 Wyszogrod D6/356
D578,315 S * 10/2008 Wyszogrod D6/356
(Continued)

Primary Examiner — Mimoso De

(57) **CLAIM**
The ornamental design for a seat assembly, as shown and described.

FIG. 1 is a front elevational view of the first row of seats of a seat assembly showing our new design; FIG. 2 is a rear elevational view thereof; FIG. 3 is a left side view thereof; FIG. 4 is a right side view thereof; FIG. 5 is a top plan view thereof; FIG. 6 is a top, front and right side perspective view thereof; FIG. 7 is a top, rear and left side perspective view thereof; FIG. 8 is a front elevational view of the second row of seats of the seat assembly; FIG. 9 is a rear elevational view of FIG. 8; FIG. 10 is a left side view of FIG. 8; FIG. 11 is a right side view of FIG. 8; FIG. 12 is a top plan view of FIG. 8; FIG. 13 is a top, front and right side perspective view of FIG. 8; FIG. 14 is a top, rear and left side perspective view of FIG. 8; FIG. 15 is a front elevational view of the third row of seats of the seat assembly; FIG. 16 is a left side view of FIG. 15; FIG. 17 is a right side view of FIG. 15; FIG. 18 is a top plan view of FIG. 15; FIG. 19 is a top, front and right side perspective view of FIG. 15; FIG. 20 is a front elevational view of the seat assembly showing all three rows of seats; FIG. 21 is a left side view of FIG. 20; FIG. 22 is a right side view of FIG. 20; FIG. 23 is a top plan view of FIG. 20; FIG. 24 is a top, front and right side perspective view of FIG. 20; and, FIG. 25 is a top, rear and left side perspective view of FIG. 20.
The broken lines in the drawings illustrate portions of the seat assembly which form no part of the claimed design. FIGS. 1-19 are shown separately for ease of illustration.

1 Claim, 25 Drawing Sheets



(58) **Field of Classification Search**

CPC B60N 2/00; B60N 2/20; B60N 2/2222;
 B60N 2/64; B60N 2/643; B60N 2/58;
 B60N 2/646; B60N 2/68; B60N 2/682;
 B60N 2/686; B60N 2/80; B60N 2/803;
 B60N 2/806; B60N 2/02

See application file for complete search history.

(56) **References Cited**

U.S. PATENT DOCUMENTS

D591,965 S * 5/2009 Pohanka D6/356
 D723,823 S * 3/2015 Persson D6/356
 D723,825 S * 3/2015 Persson D6/356
 D774,319 S * 12/2016 Ingenlath D6/356
 D804,205 S * 12/2017 Godard D6/356
 D804,207 S * 12/2017 Blomme D6/356
 D808,675 S * 1/2018 Fontaeus D6/356
 9,919,620 B2 * 3/2018 Supernavage B60N 2/20
 10,131,258 B2 * 11/2018 Akai B60N 2/682

D839,014 S * 1/2019 Ray D6/356
 D839,015 S * 1/2019 Bekas D6/356
 D841,348 S * 2/2019 Hodder D6/356
 D841,352 S * 2/2019 Bekas D6/356
 D846,901 S * 4/2019 Jelec D6/356
 D846,903 S * 4/2019 Tomasson D6/356
 D855,340 S * 8/2019 Buffery D6/356
 D855,341 S * 8/2019 Perry D6/356
 D861,362 S * 10/2019 Smith D6/356
 D861,364 S * 10/2019 Pinder D6/356
 D862,099 S * 10/2019 Hodder D6/356
 D867,002 S * 11/2019 Lauter D6/356
 D867,776 S * 11/2019 Smith D6/356
 D874,171 S * 2/2020 Perry D6/356
 D874,172 S * 2/2020 Buttery D6/356
 D878,782 S * 3/2020 Quaintance D6/356
 D880,177 S * 4/2020 Braun D6/356
 D887,738 S * 6/2020 Tomasson D6/356
 D889,149 S * 7/2020 Bell D6/356
 D899,796 S * 10/2020 Birtulescu D6/356

* cited by examiner

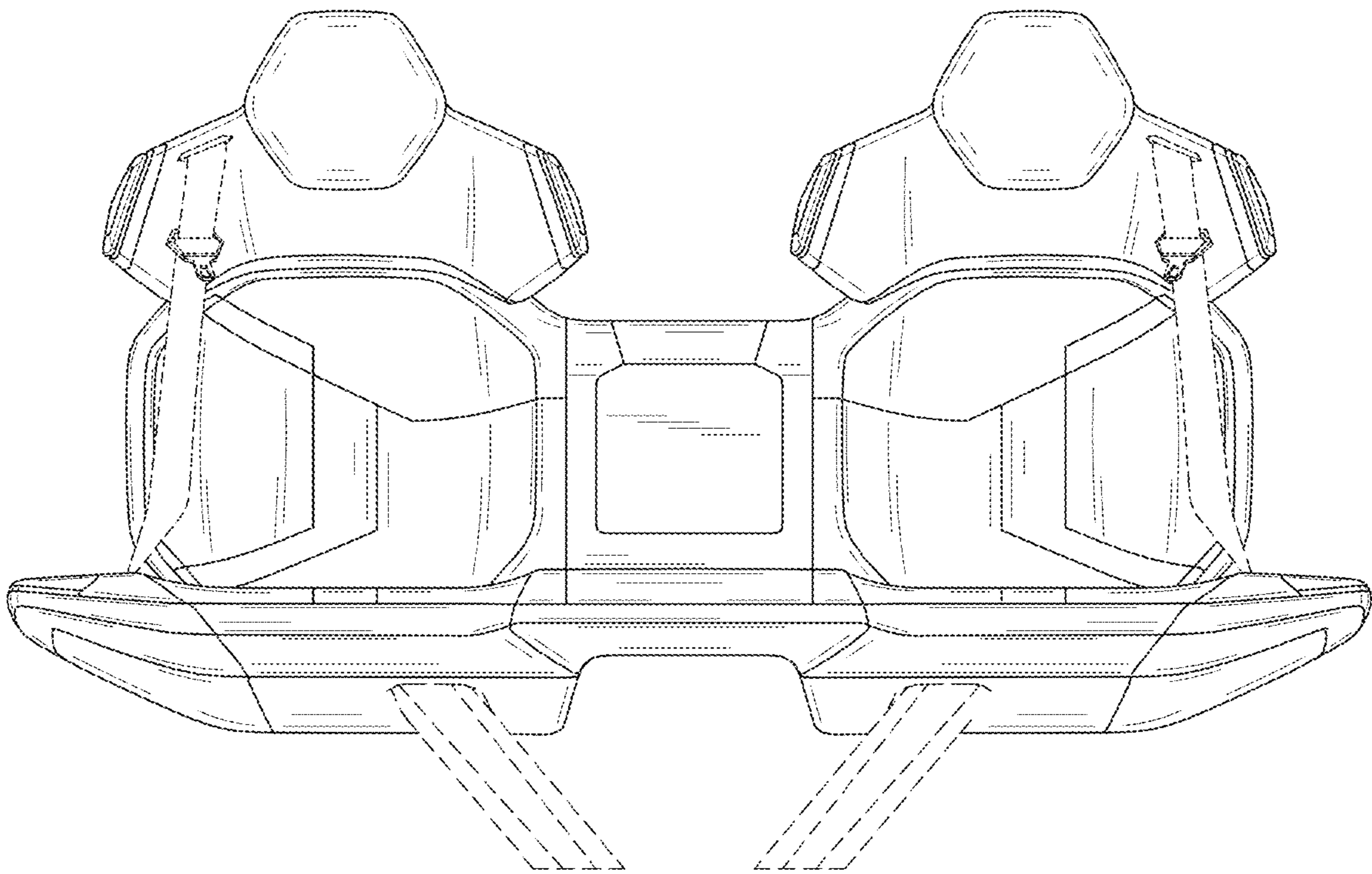


FIG.1

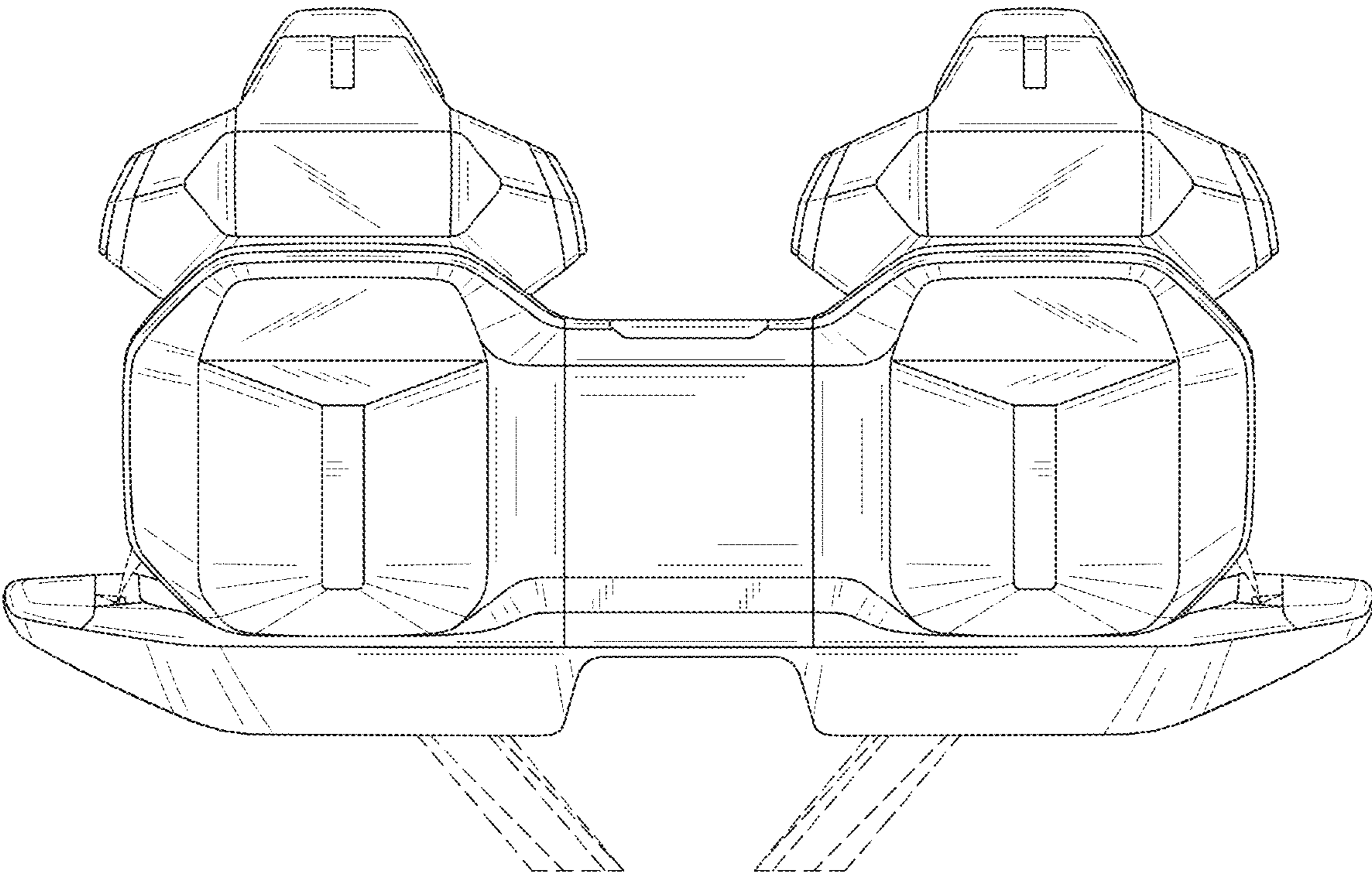


FIG.2

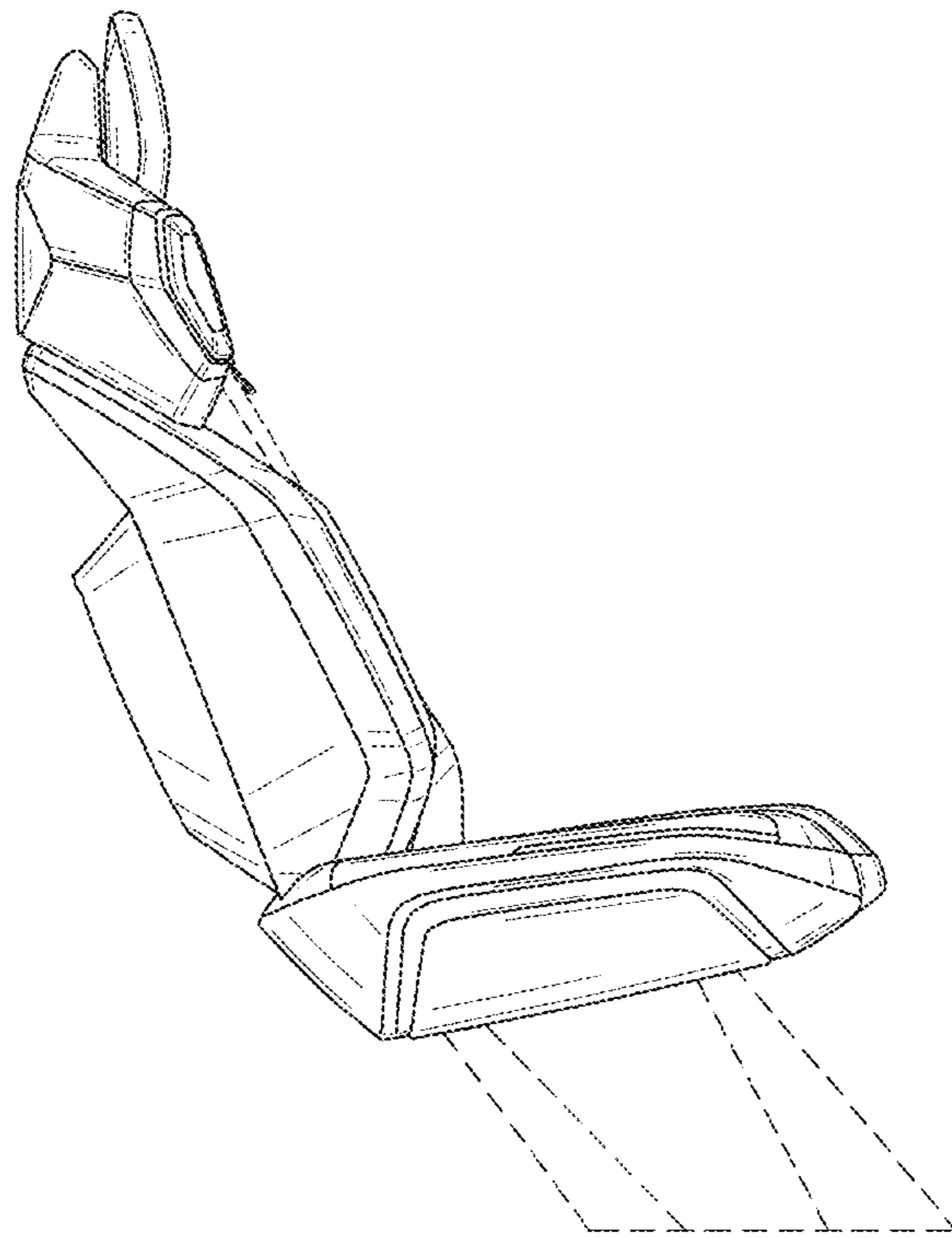


FIG. 3

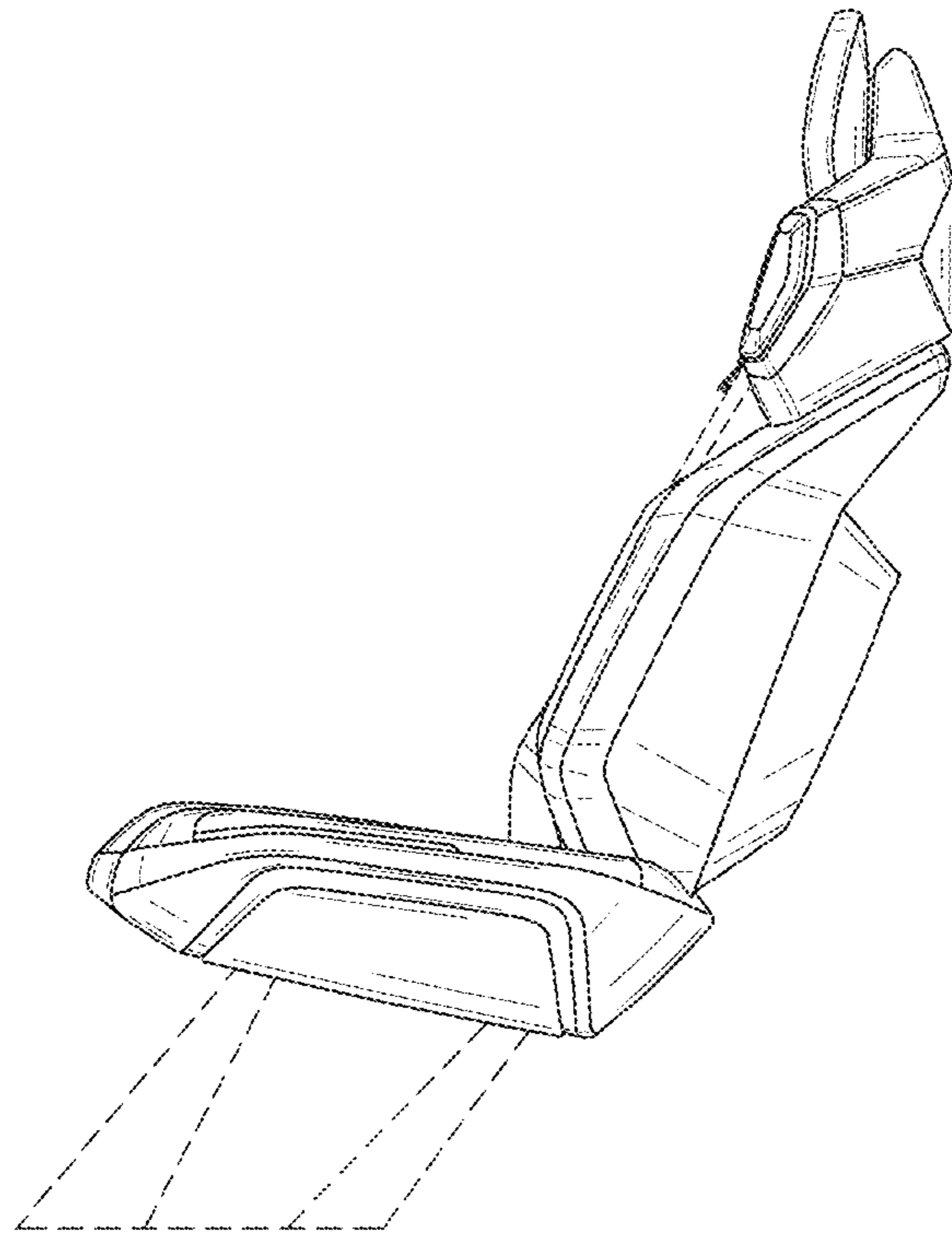


FIG. 4

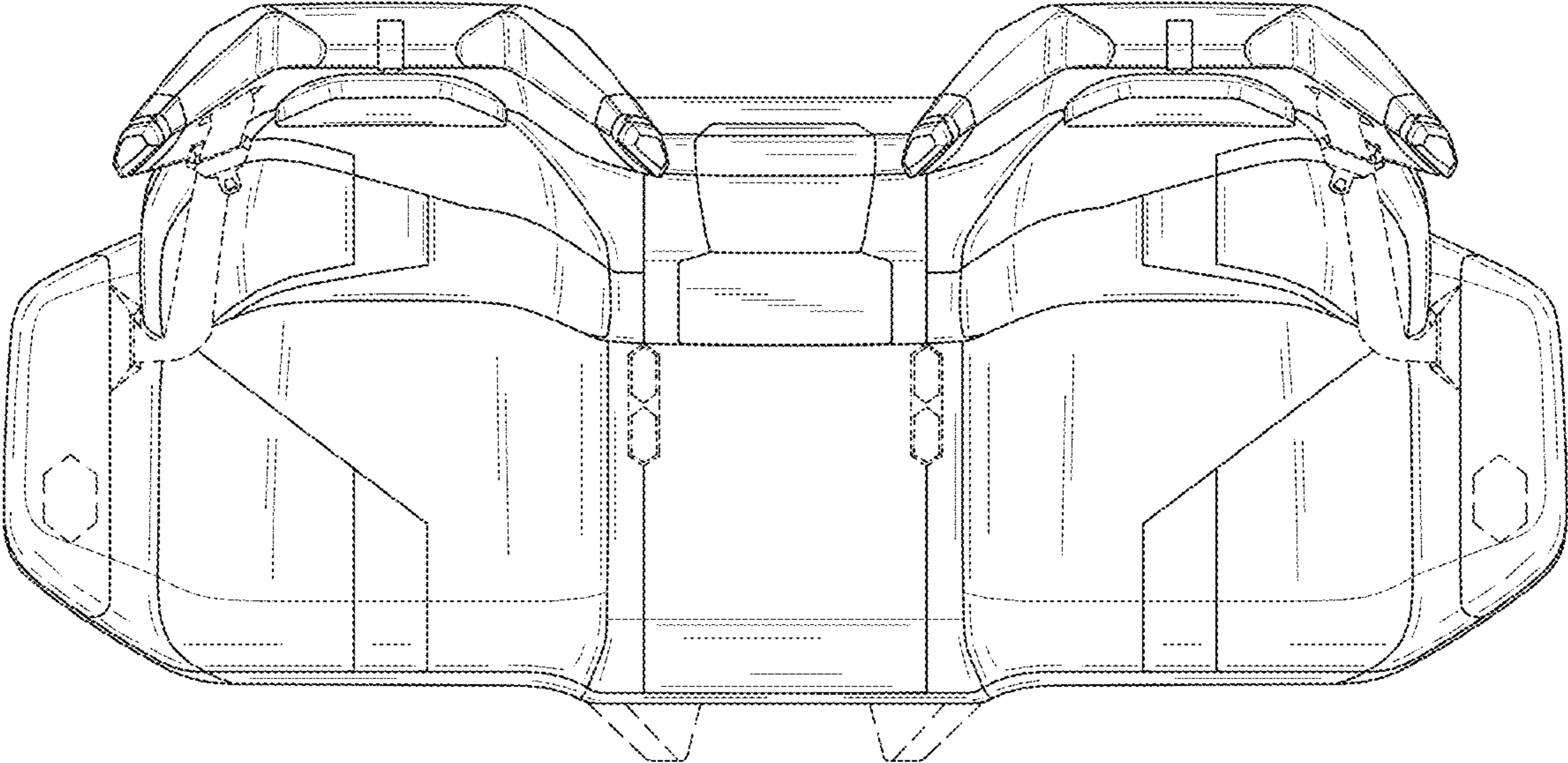


FIG.5

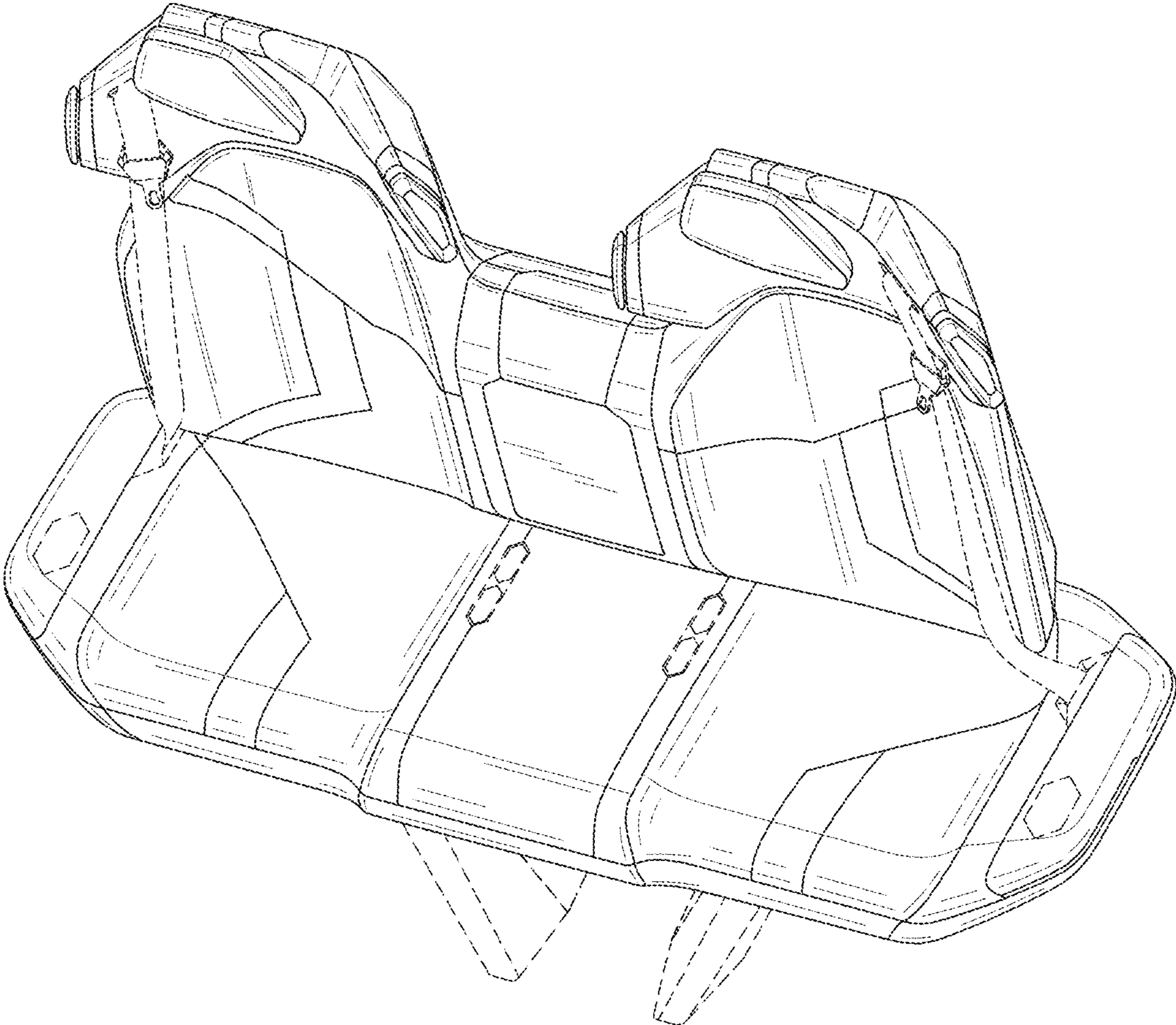


FIG.6

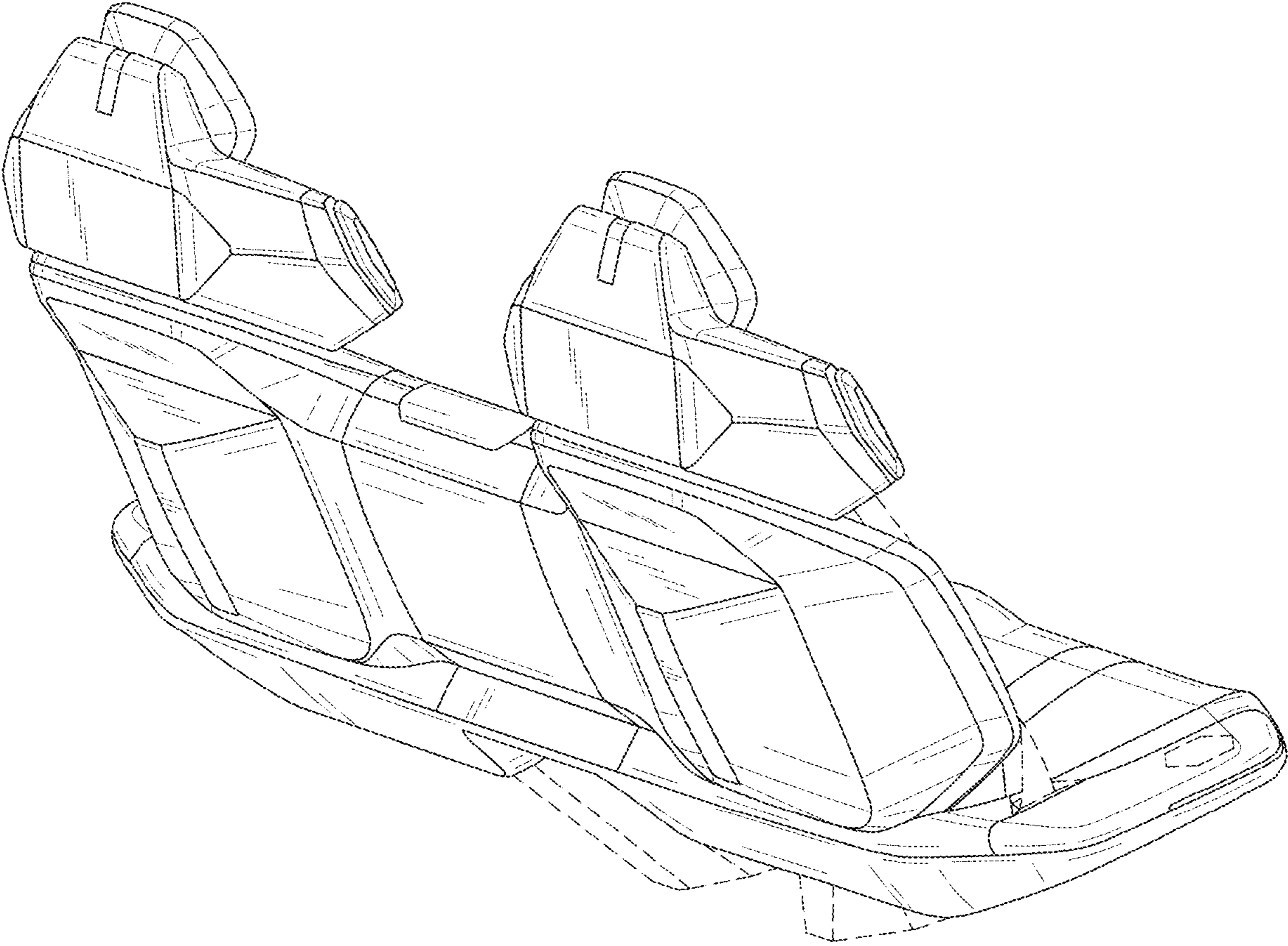


FIG.7

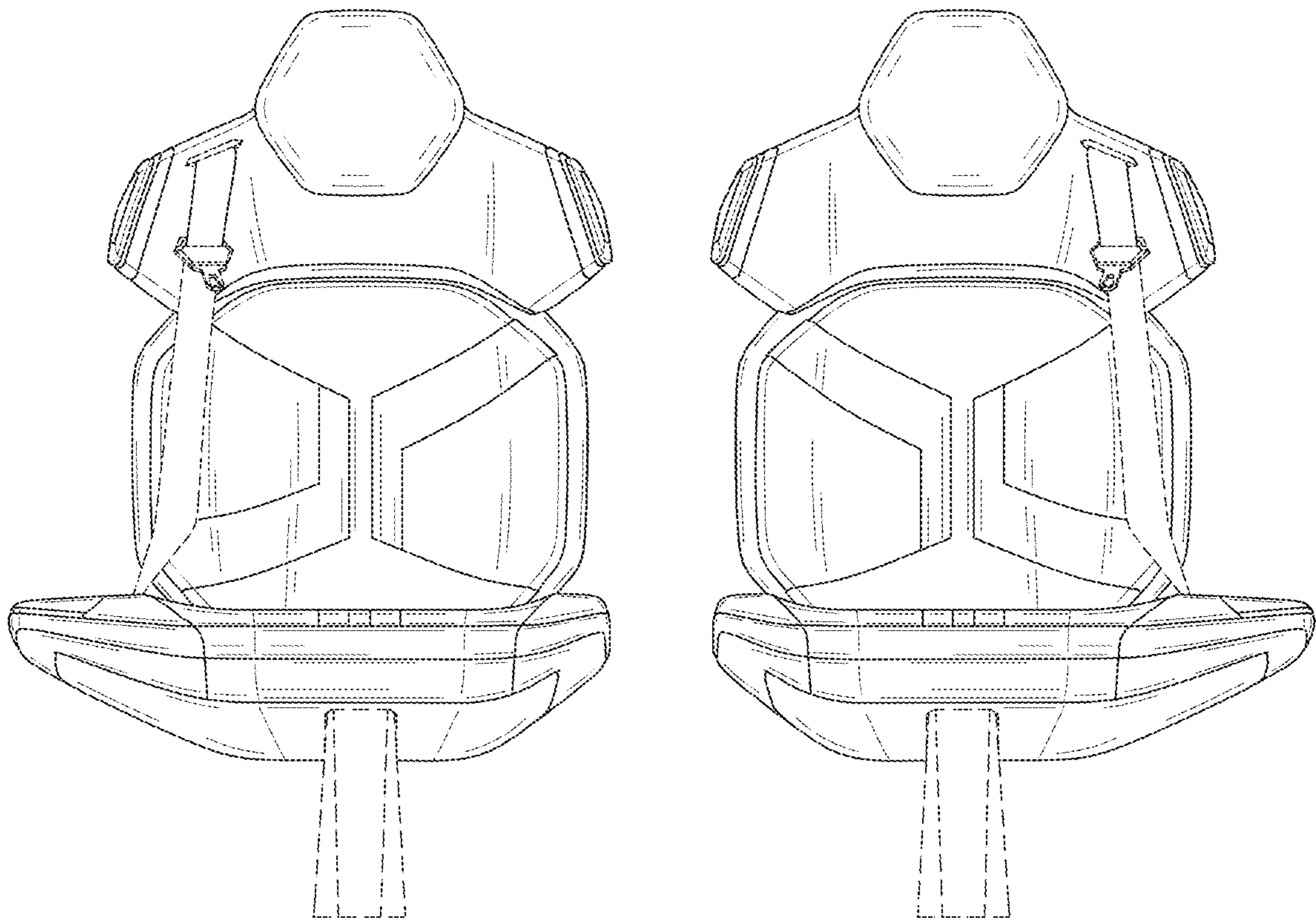


FIG.8

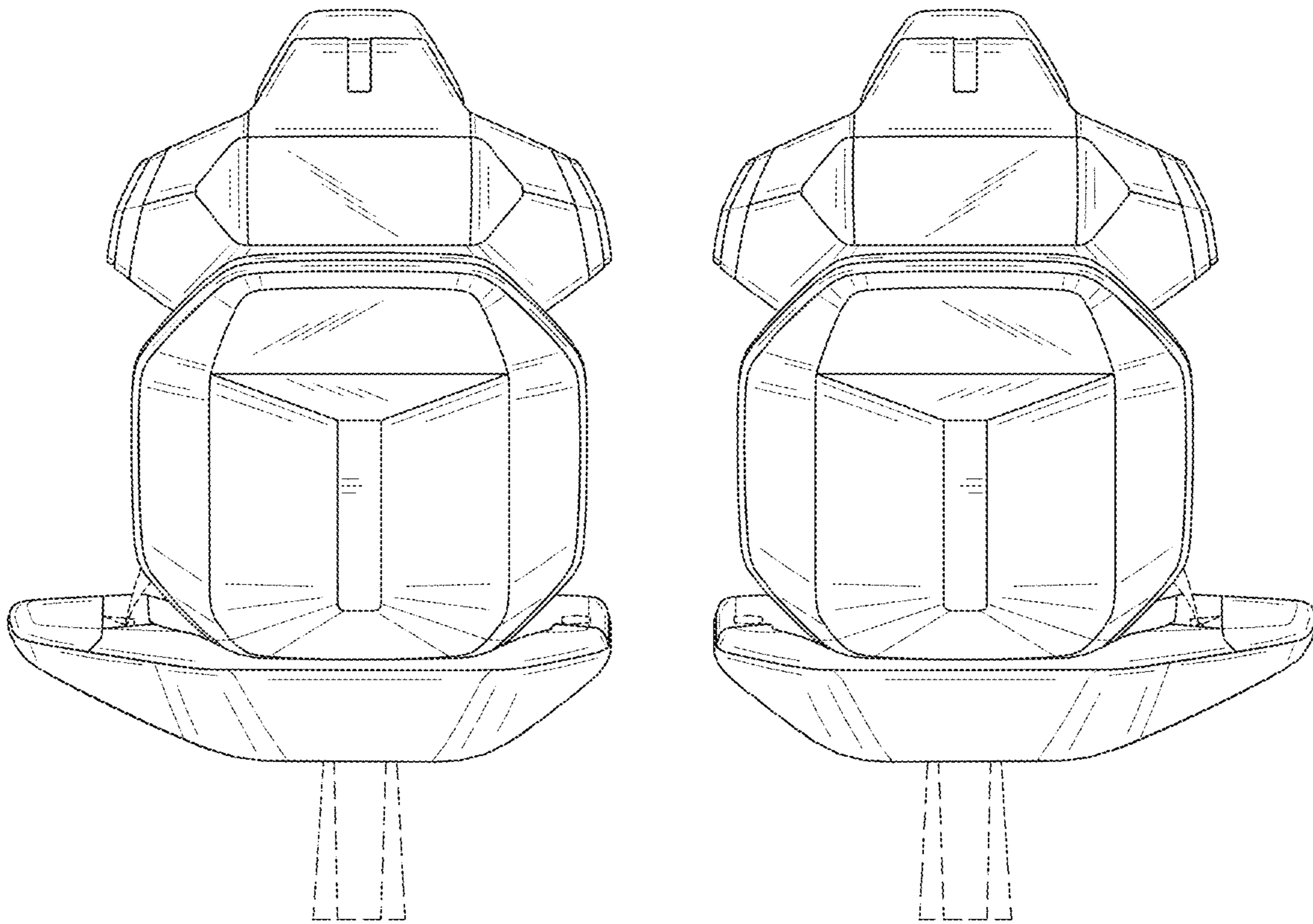


FIG.9

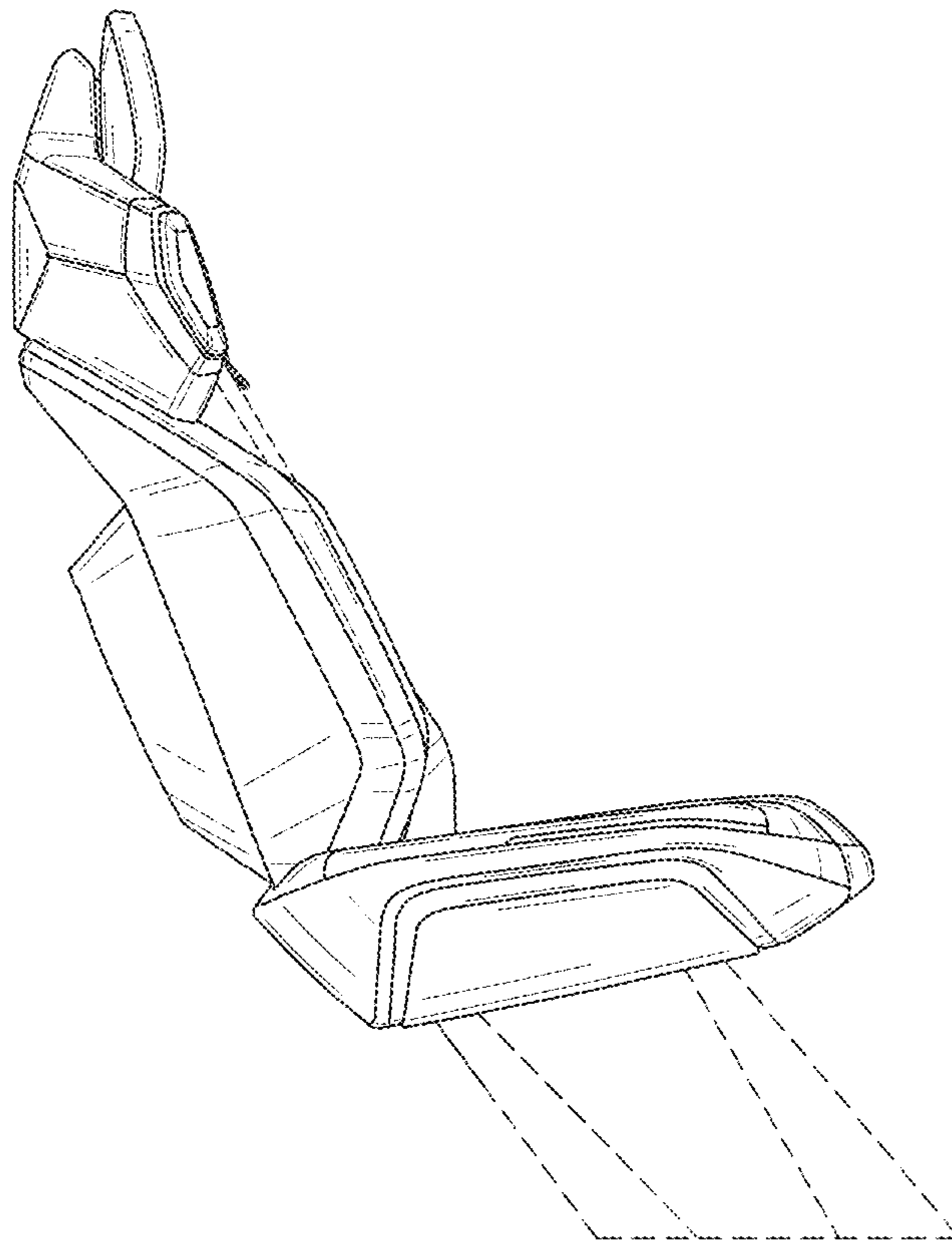


FIG. 10

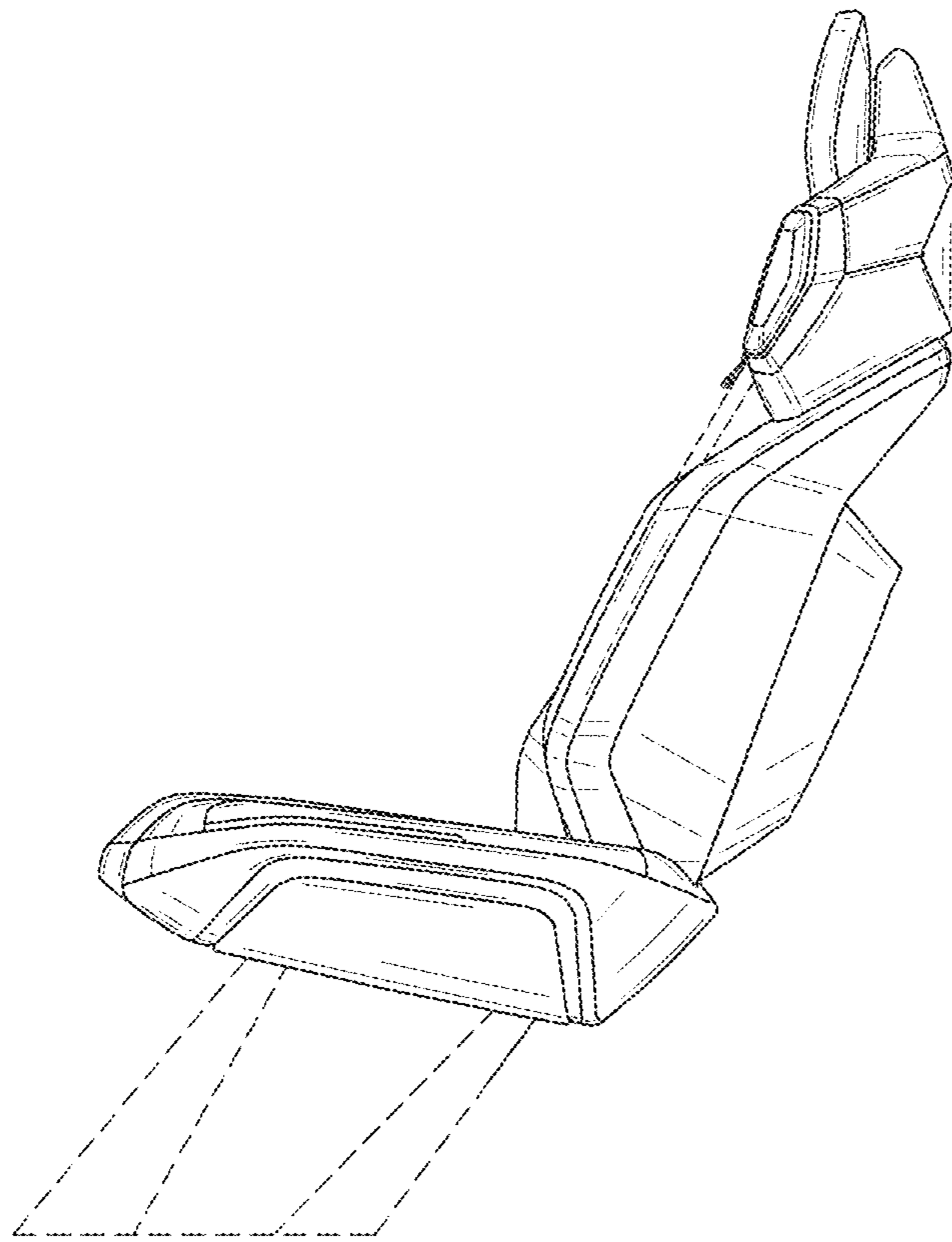


FIG.11

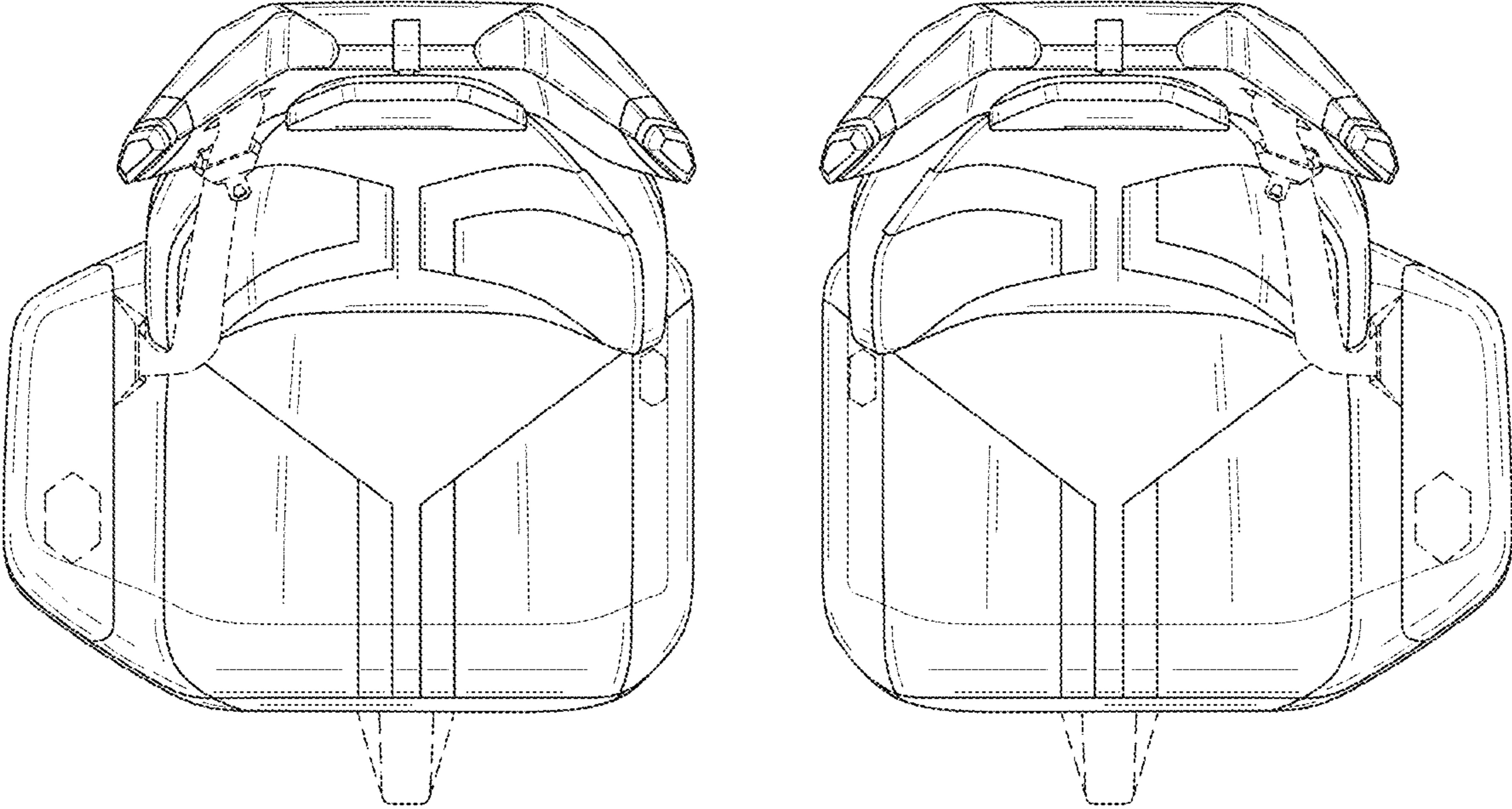


FIG.12

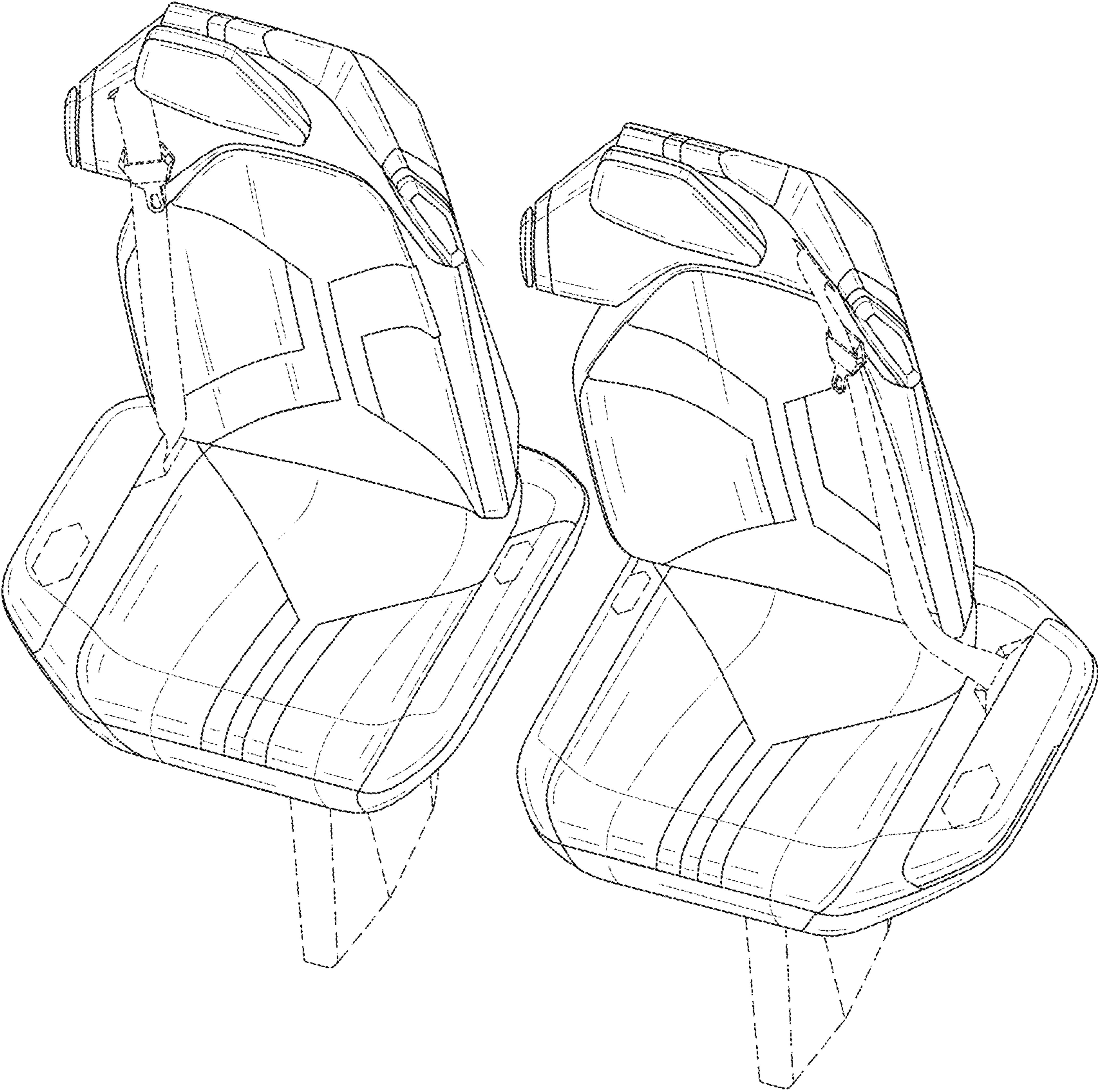


FIG.13

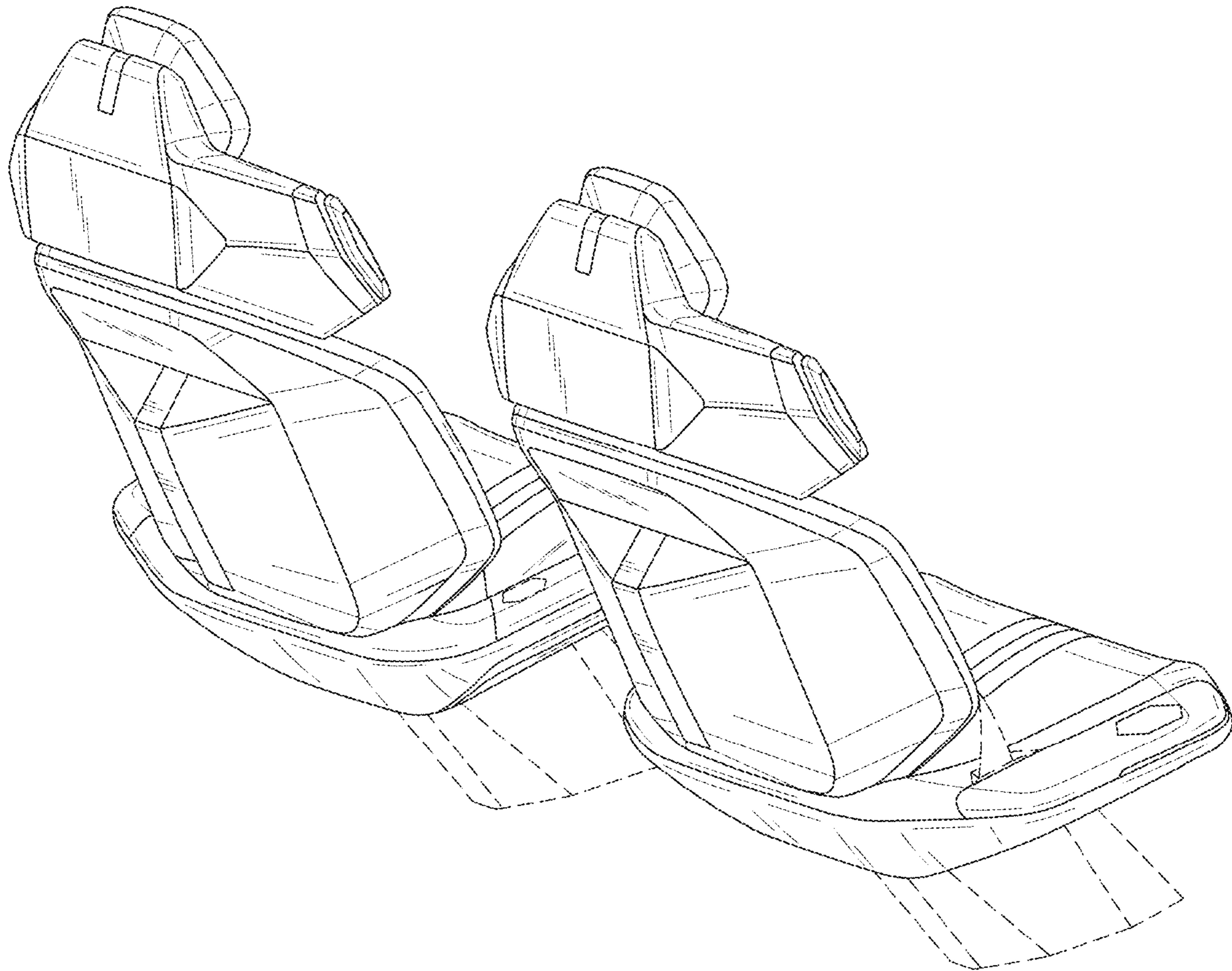


FIG.14

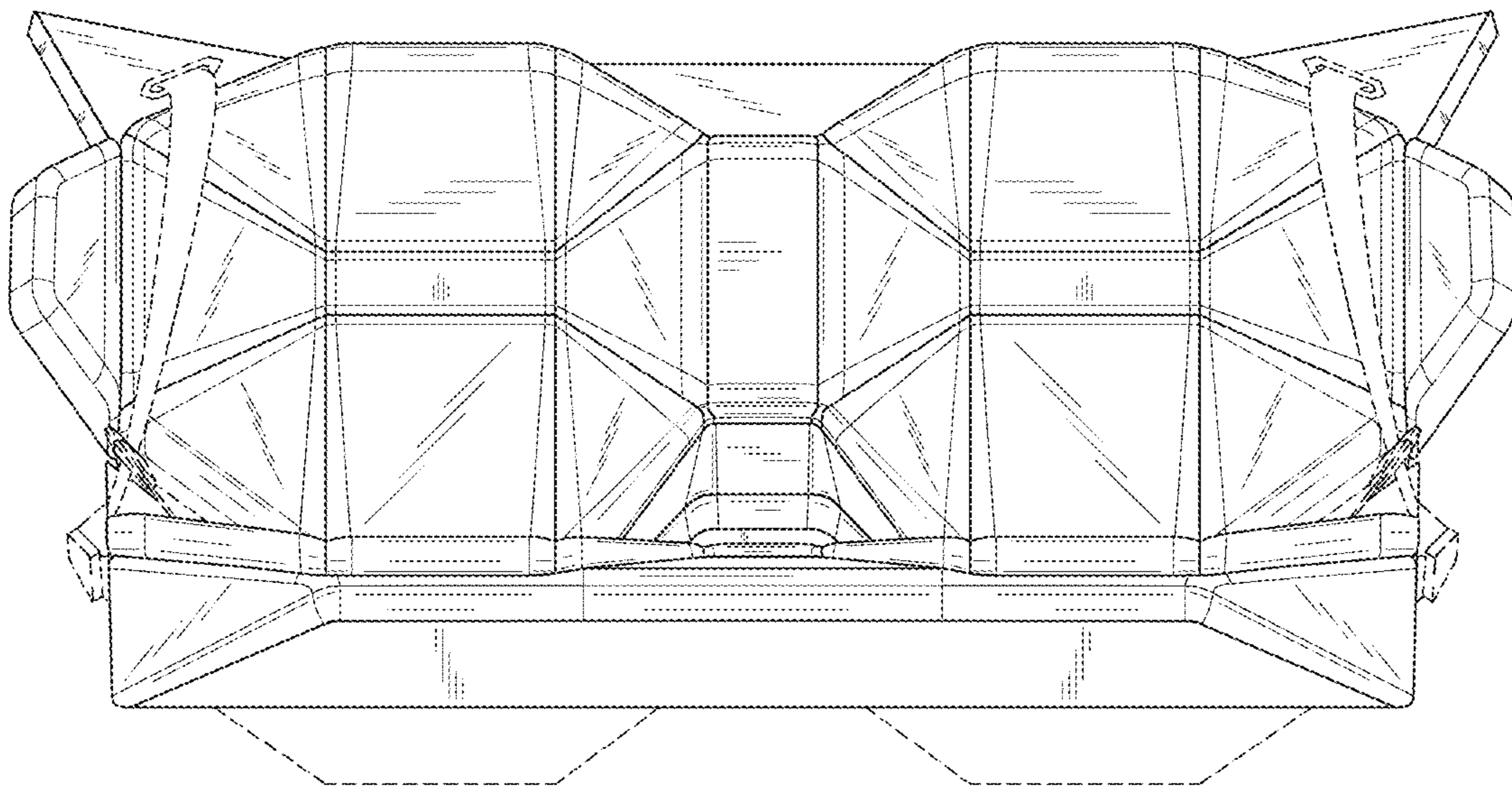


FIG.15

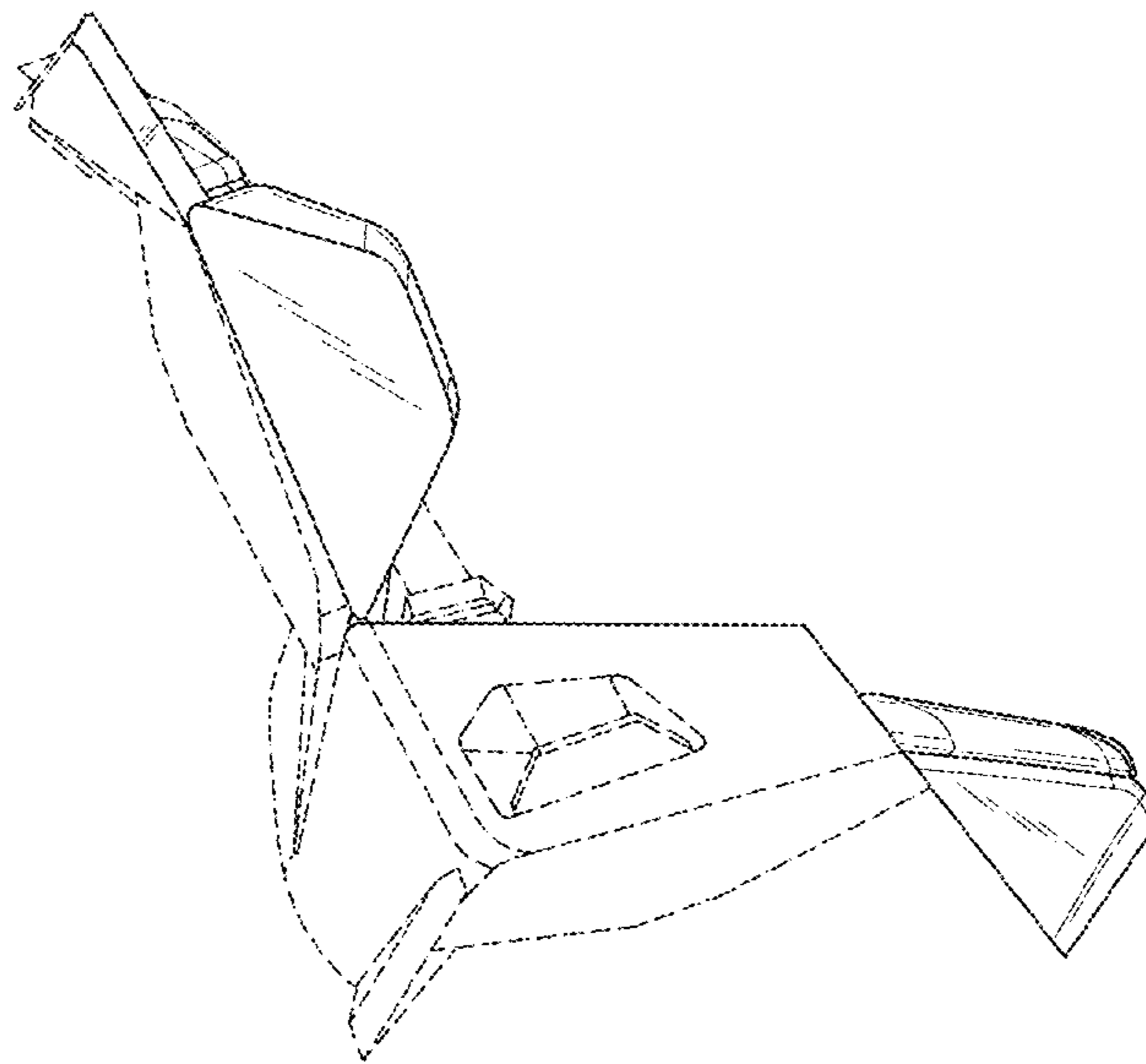


FIG.16

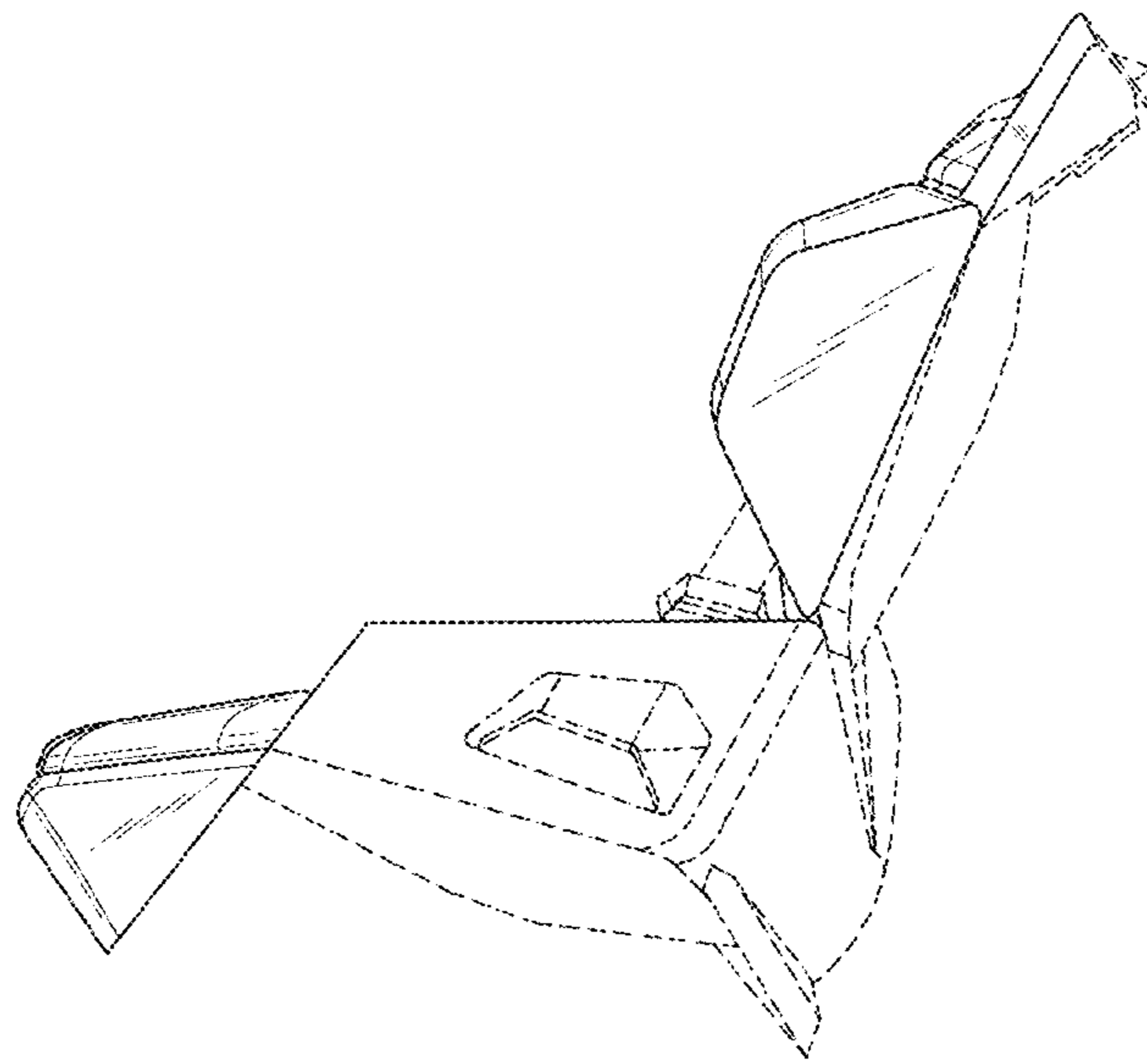


FIG. 17

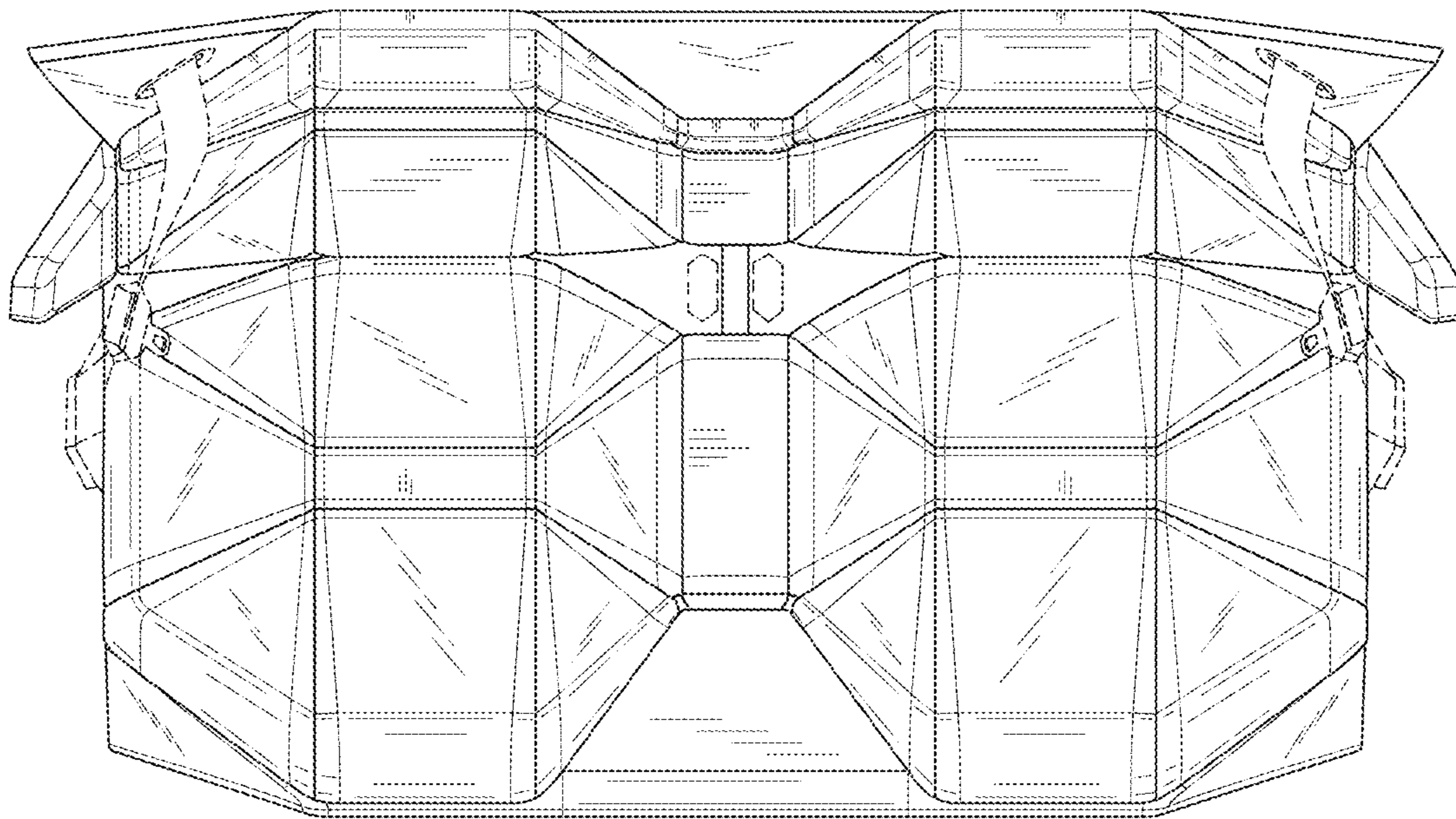


FIG.18

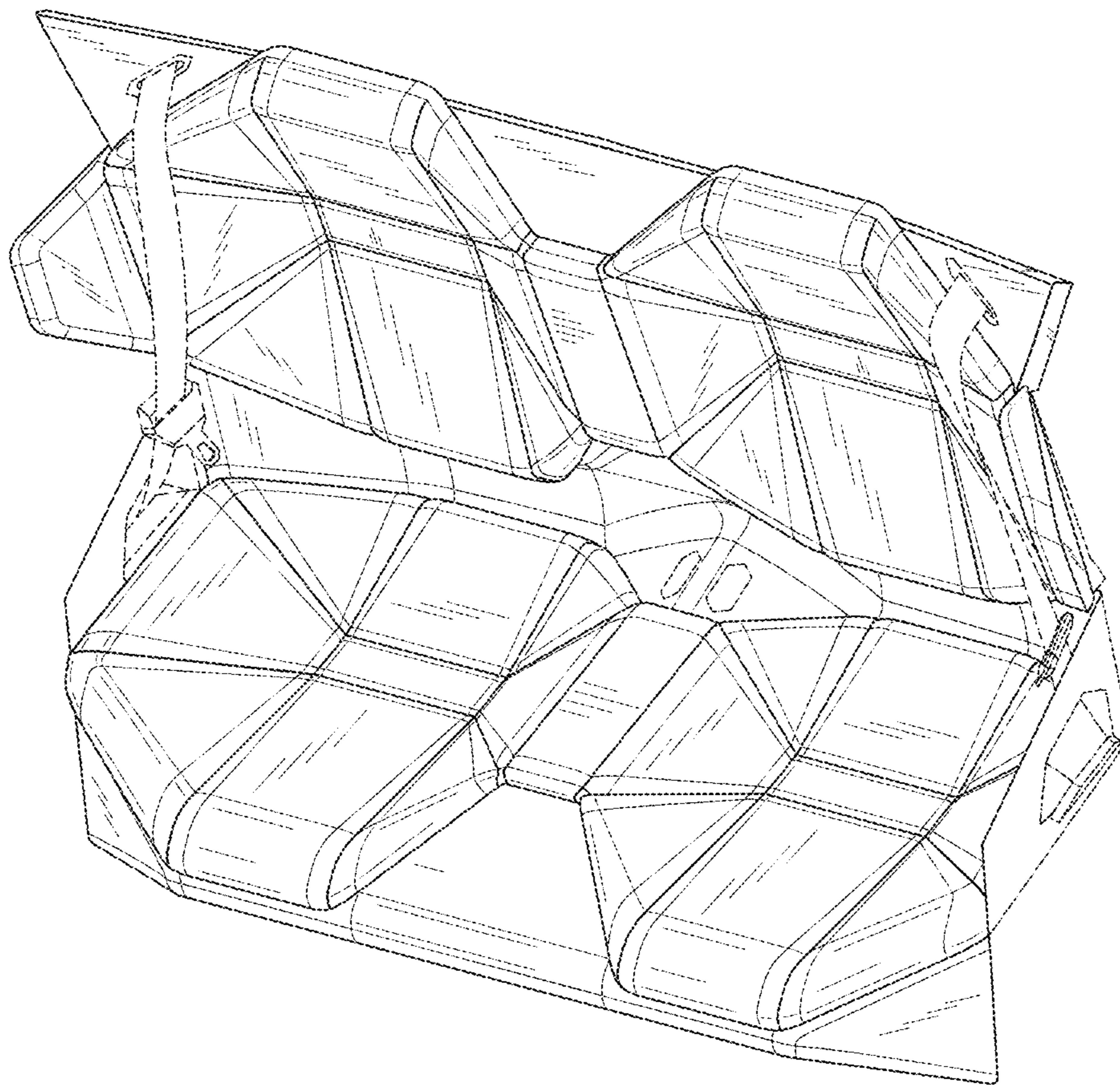


FIG.19

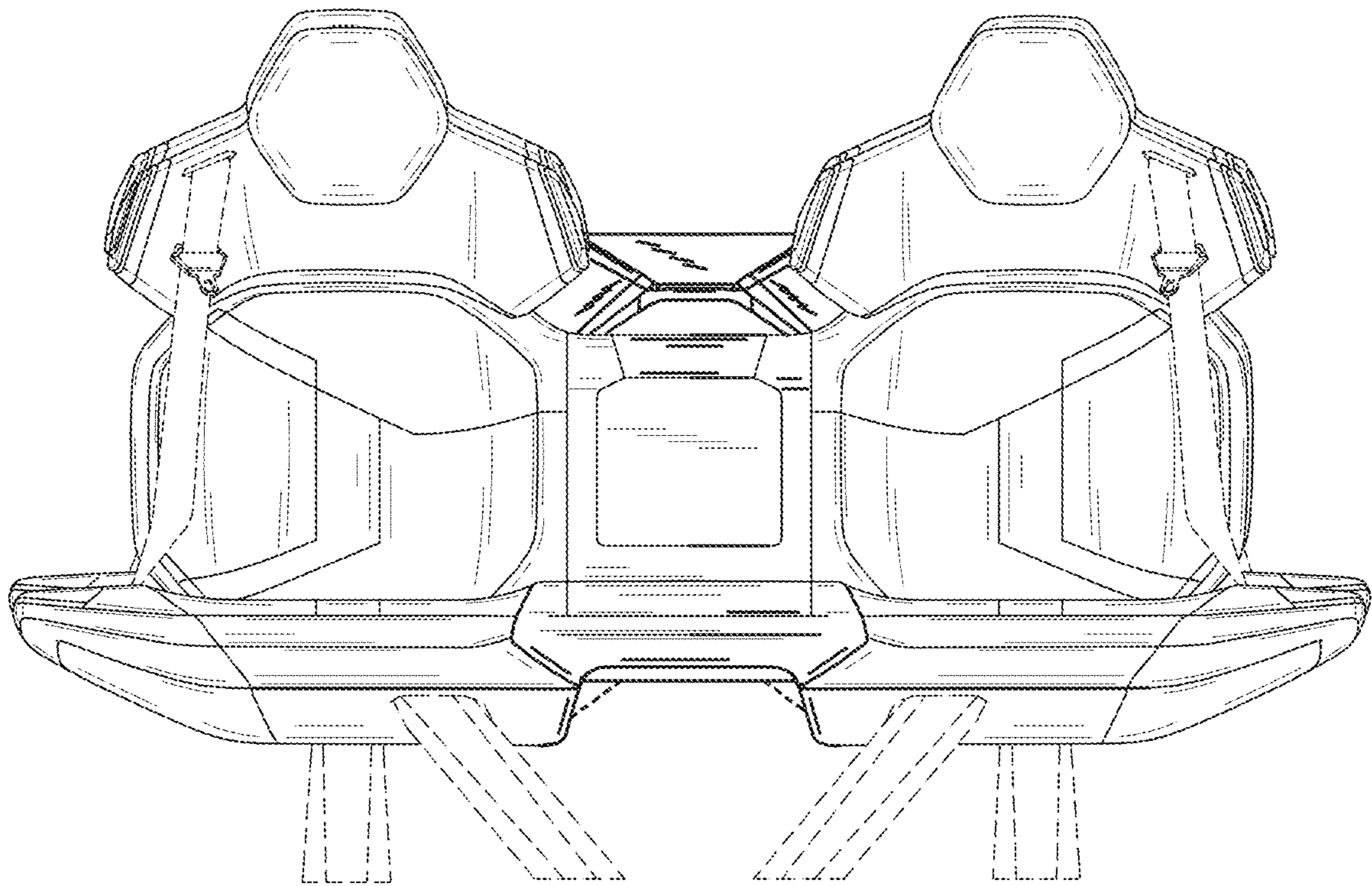


FIG. 20

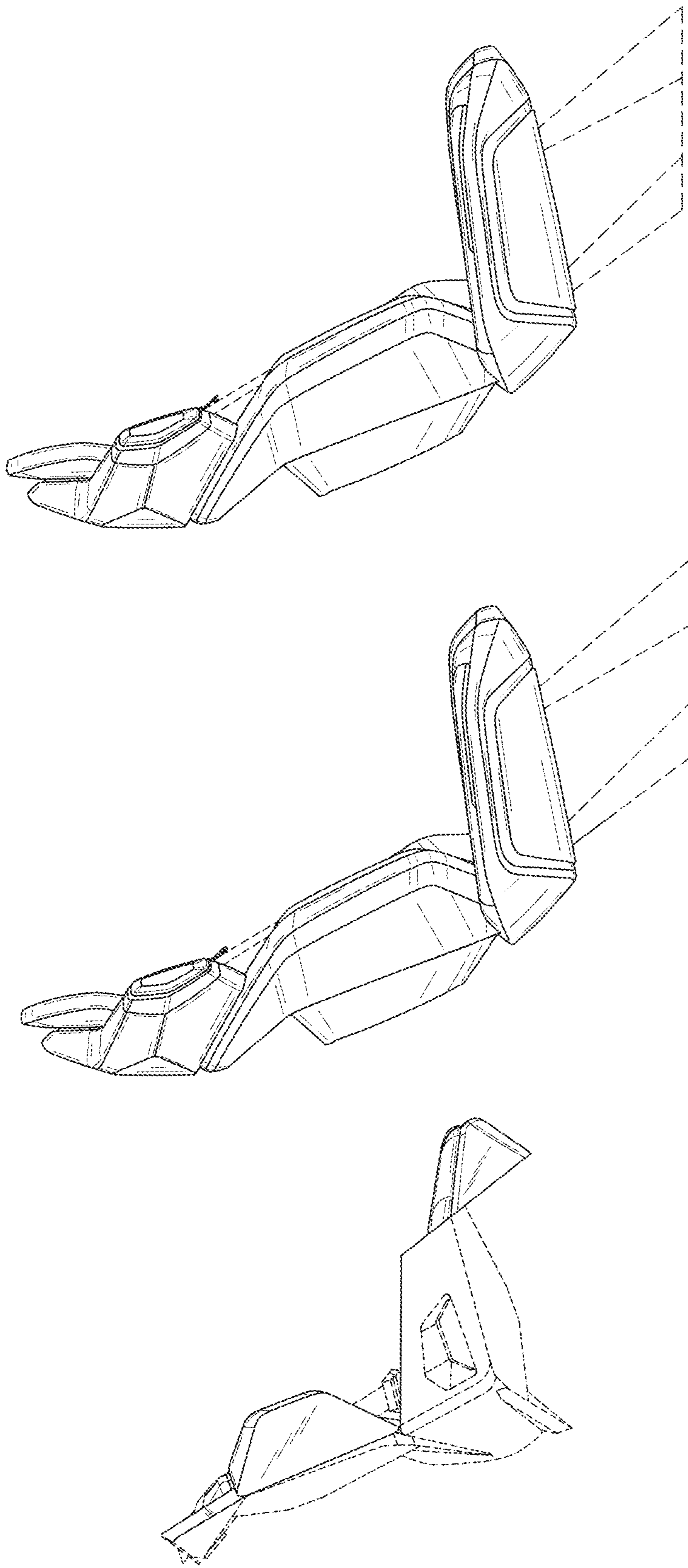


FIG. 21

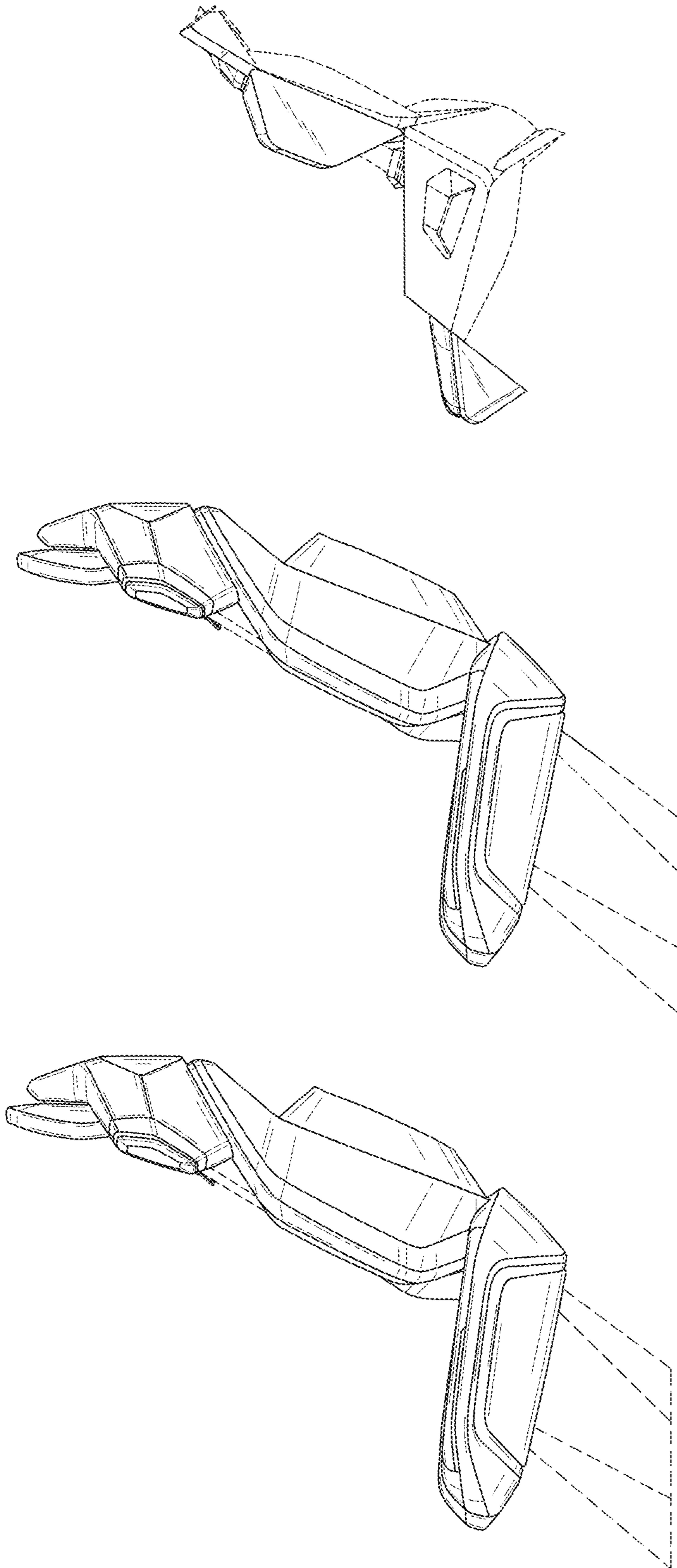


FIG. 22

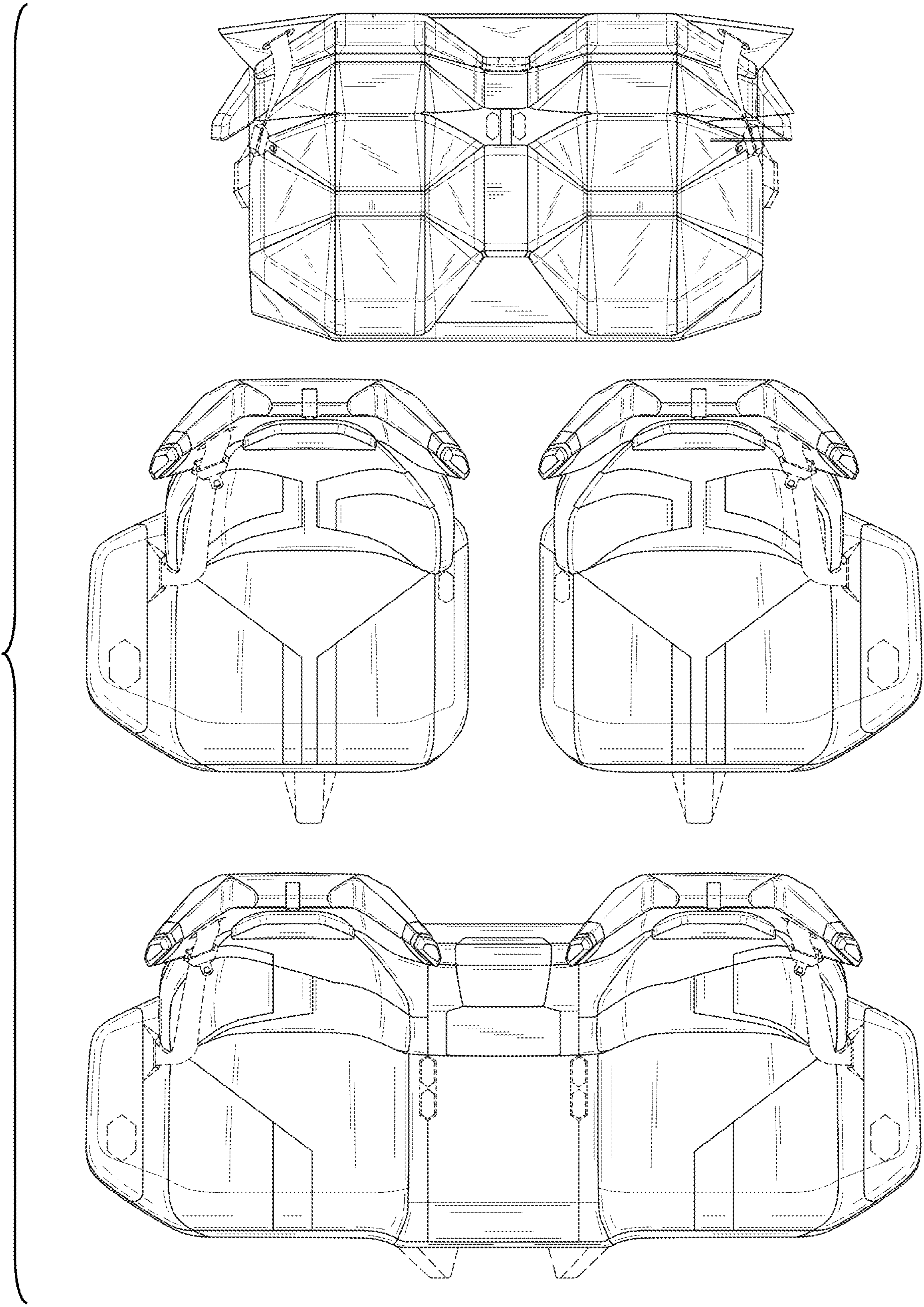


FIG. 23

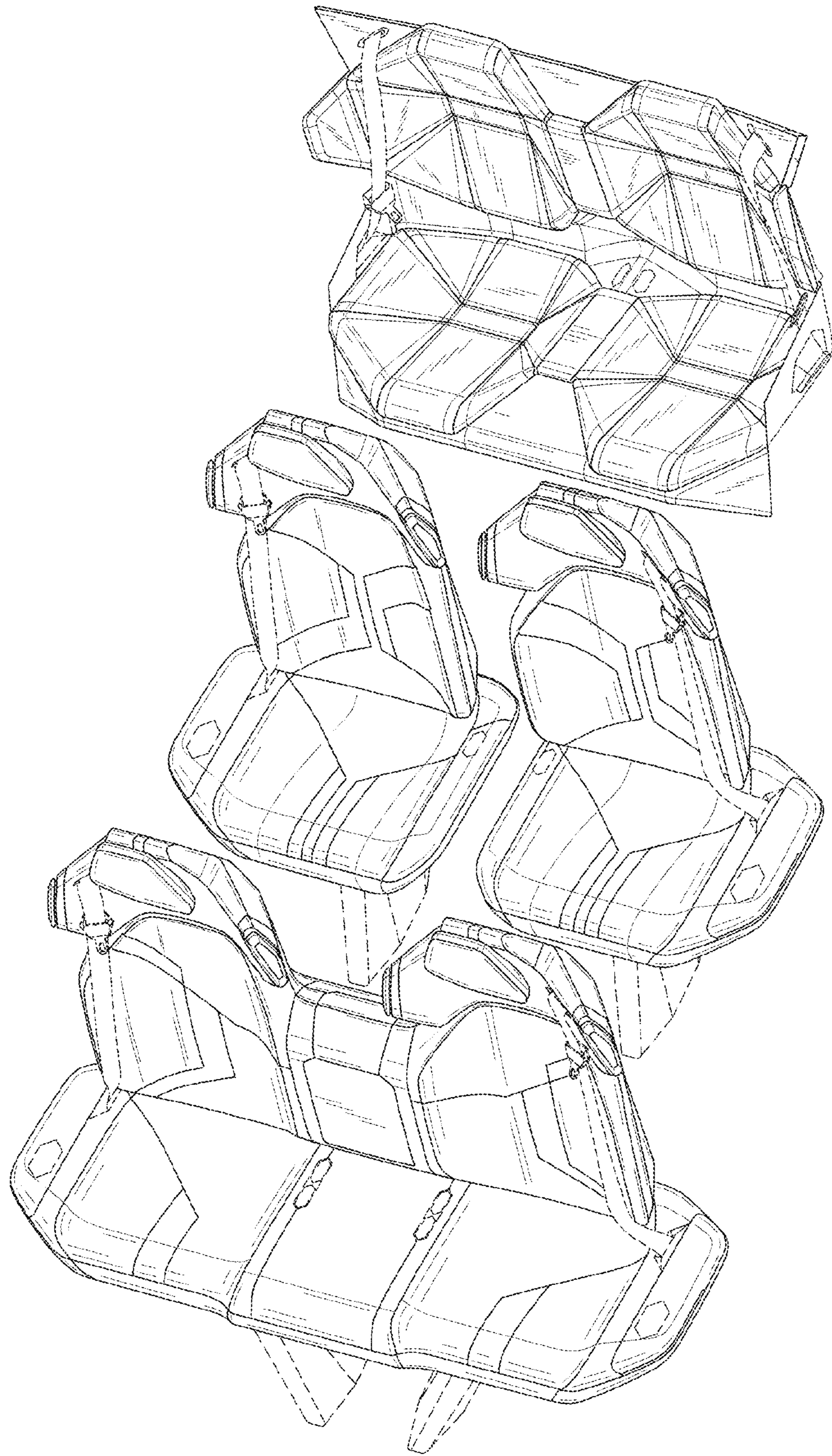


FIG. 24

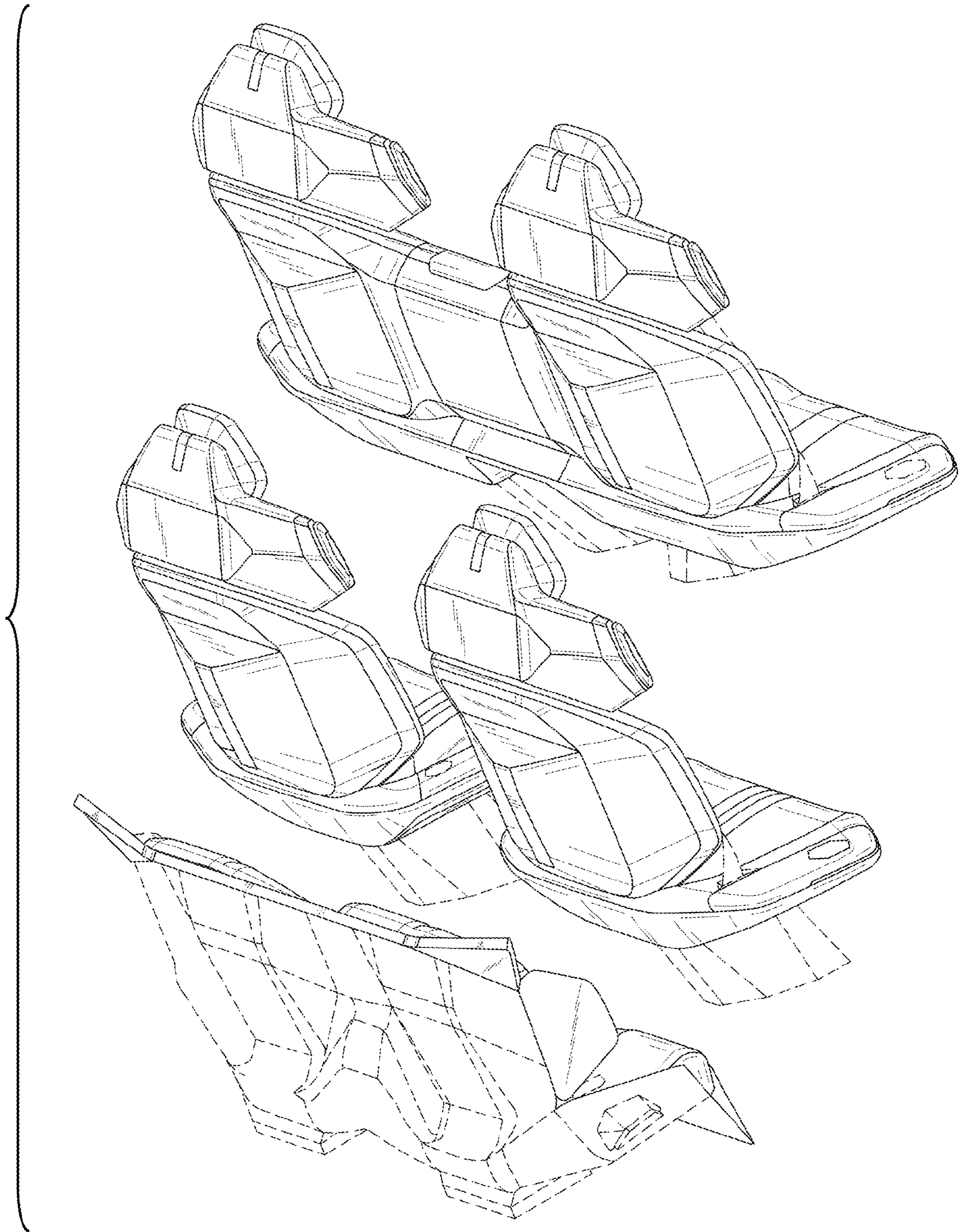


FIG. 25