



US00D915089S

(12) **United States Design Patent** (10) **Patent No.:** **US D915,089 S**  
**Li** (45) **Date of Patent:** **\*\* Apr. 6, 2021**

(54) **STOOL**  
(71) Applicant: **39F USA INC**, Rancho Cucamonga, CA (US)  
(72) Inventor: **Yuehai Li**, Rancho Cucamonga, CA (US)  
(\*\*) Term: **15 Years**  
(21) Appl. No.: **29/715,893**  
(22) Filed: **Dec. 5, 2019**  
(51) **LOC (13) Cl.** ..... **06-01**  
(52) **U.S. Cl.**  
USPC ..... **D6/352**  
(58) **Field of Classification Search**  
USPC ..... D6/334-338, 340-343, 349-353, 355, D6/364-365, 372, 374, 691-691.1, D6/692-692.6, 716-716.1; D25/63, 65  
CPC ..... A47B 7/00-02; A47C 11/00; A47C 12/00; A47C 13/00; A47C 16/00; A47C 16/02-04; A47C 9/00-105; A47K 17/02; A47K 17/028  
See application file for complete search history.

D876,850 S \* 3/2020 Barber ..... D6/352  
D885,811 S \* 6/2020 Gam ..... D6/692  
D893,226 S \* 8/2020 Parikh ..... D6/692.5  
D899,830 S \* 10/2020 Parikh ..... D6/692.5

**OTHER PUBLICATIONS**

Benjara, Multicolor Wooden Stool. [online] Retrieved Nov. 17, 2020 from URL: <https://www.amazon.com/Benjara-Multicolor-Wooden-Stool-Tubular/dp/B07ZYXKR2L>.  
Yarrow Gold Macca Round Velvet Ottoman. [online] Retrieved Nov. 17, 2020 from URL: <https://www.article.com/product/13286/macca-yarrow-gold-ottoman>.

\* cited by examiner

*Primary Examiner* — Vy N Koenig  
(74) *Attorney, Agent, or Firm* — Feng Qian

(57) **CLAIM**

The ornamental design for a stool, as shown and described.

**DESCRIPTION**

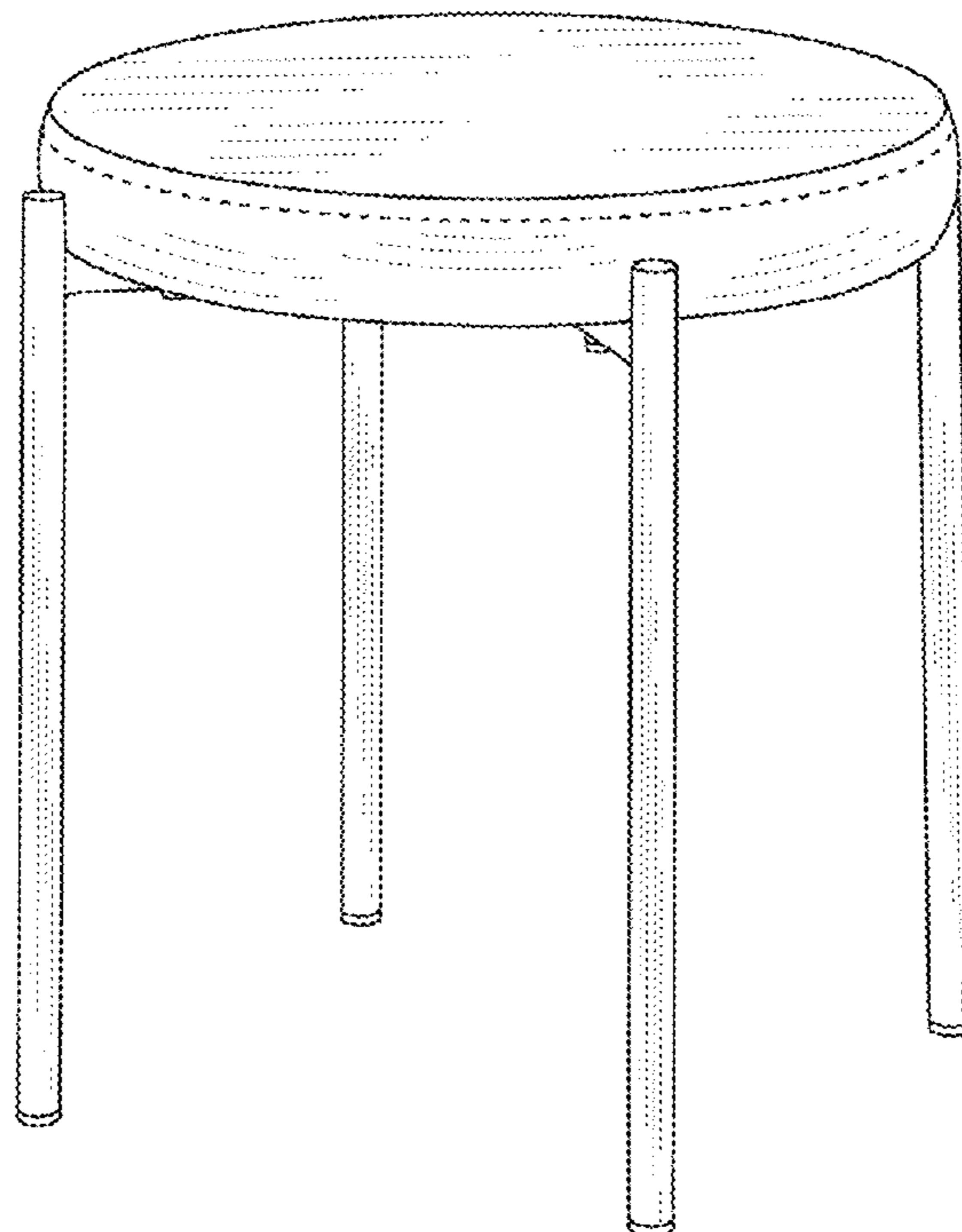
FIG. 1 is a front perspective view of a stool showing my new design;  
FIG. 2 is a front elevation view thereof;  
FIG. 3 is a rear elevation view thereof;  
FIG. 4 is a left-side elevation view thereof;  
FIG. 5 is a right-side elevation view thereof;  
FIG. 6 is a top plan view thereof; and,  
FIG. 7 is a bottom plan view thereof.  
The broken lines shown in the drawings are for the purpose of illustrating portions of the stool that form no part of the claimed design.

**1 Claim, 7 Drawing Sheets**

(56) **References Cited**

**U.S. PATENT DOCUMENTS**

D225,190 S \* 11/1972 Van Syoc ..... D6/336  
D440,415 S \* 4/2001 Bellini ..... D6/349  
D720,547 S \* 1/2015 Li ..... D6/349  
D740,577 S \* 10/2015 Cohen ..... D6/349  
D830,711 S \* 10/2018 Itzhak-Sigron ..... D6/352  
D850,832 S \* 6/2019 Bieschke ..... D6/692.5  
D861,402 S \* 10/2019 Ramos ..... D6/692  
D869,887 S \* 12/2019 Vasiliou ..... D6/692.6



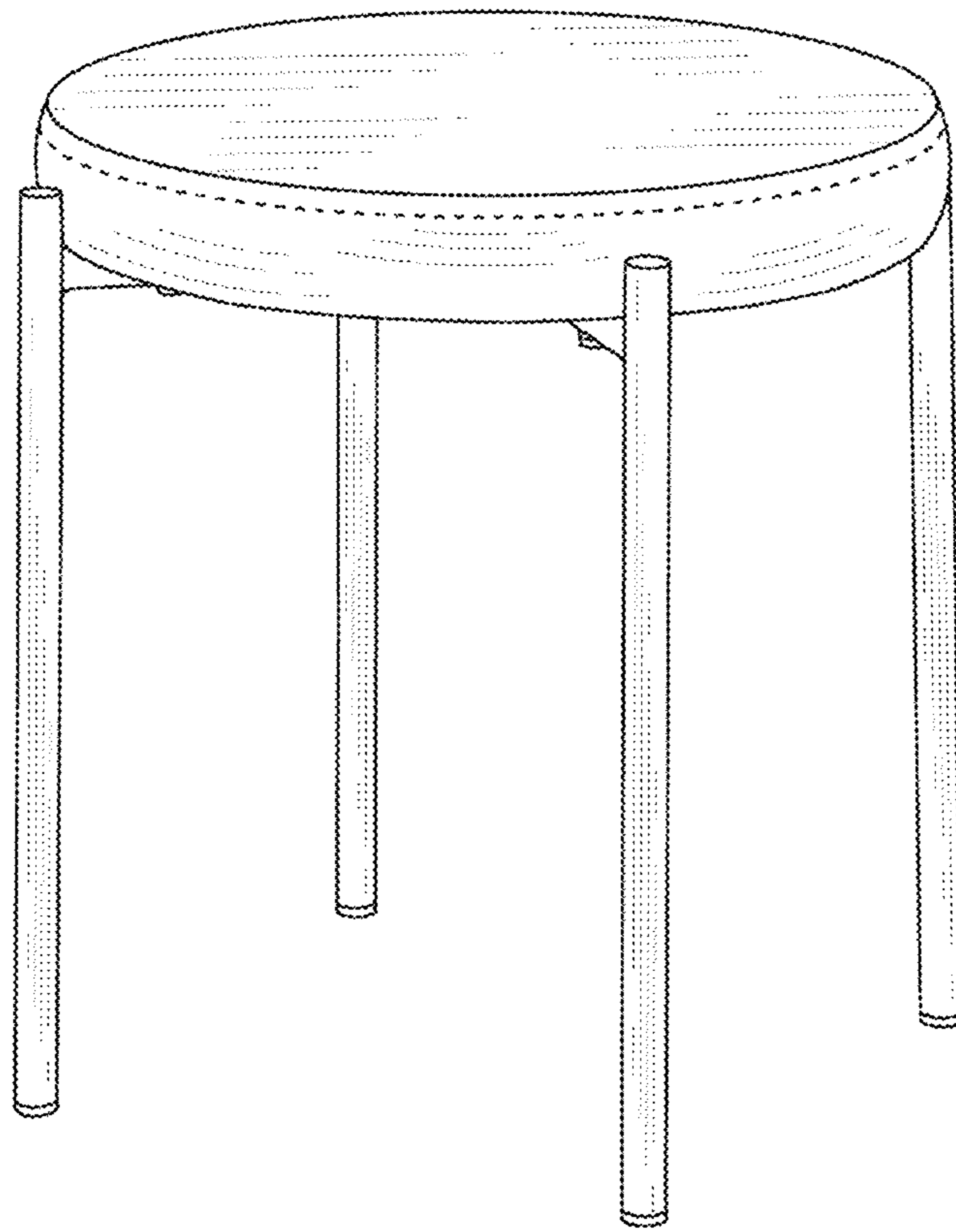


Fig.1

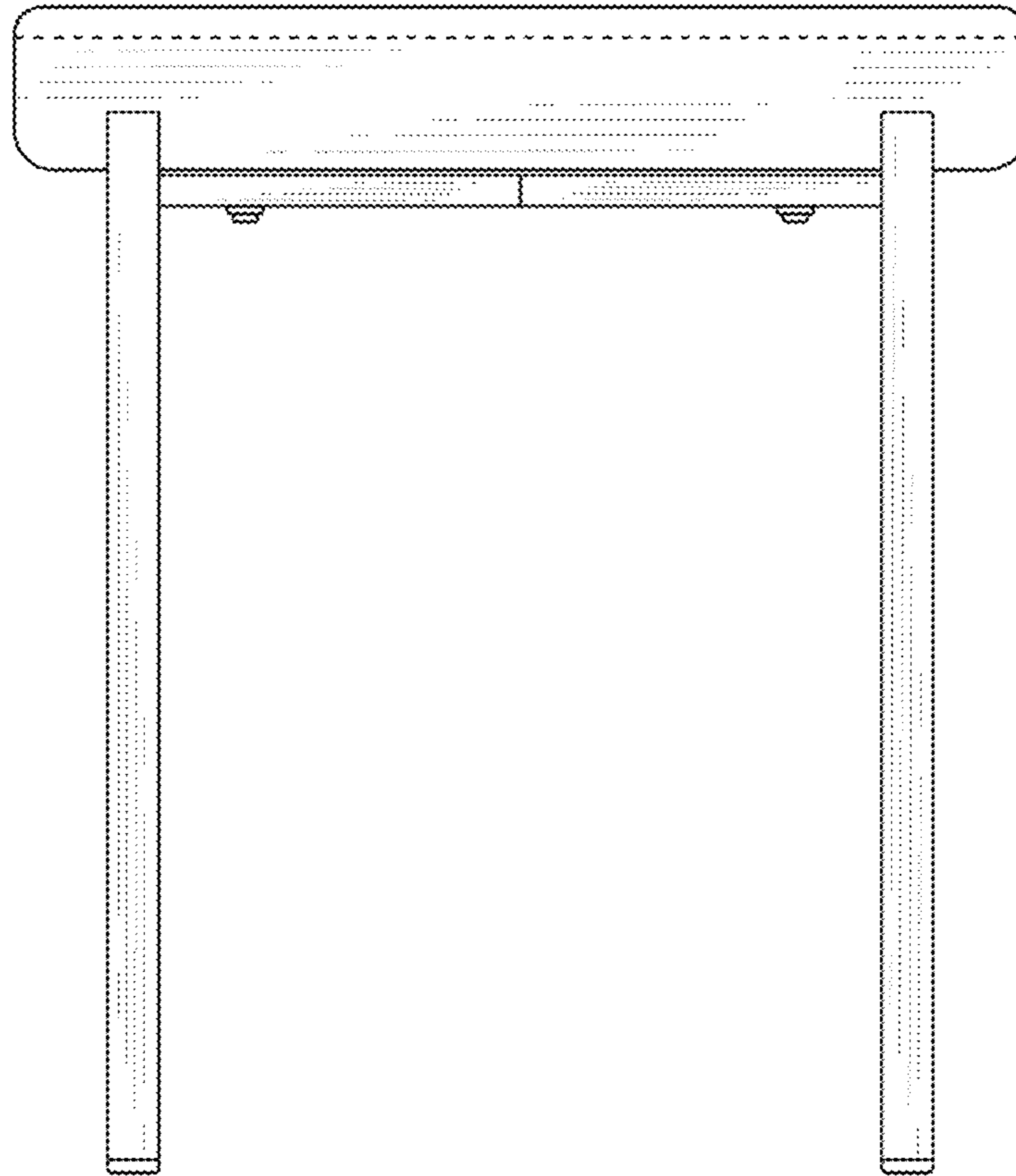


Fig.2

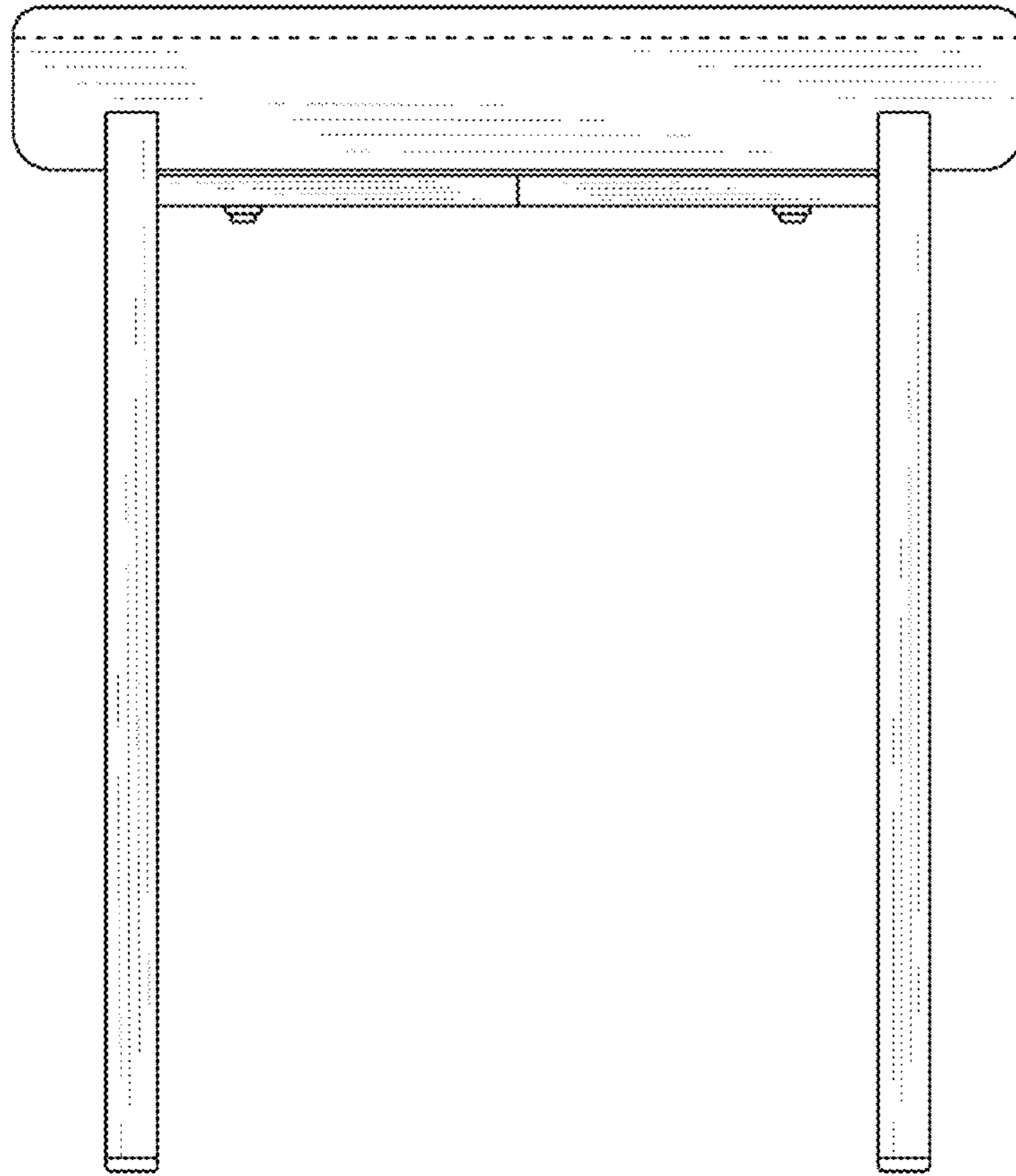


Fig.3

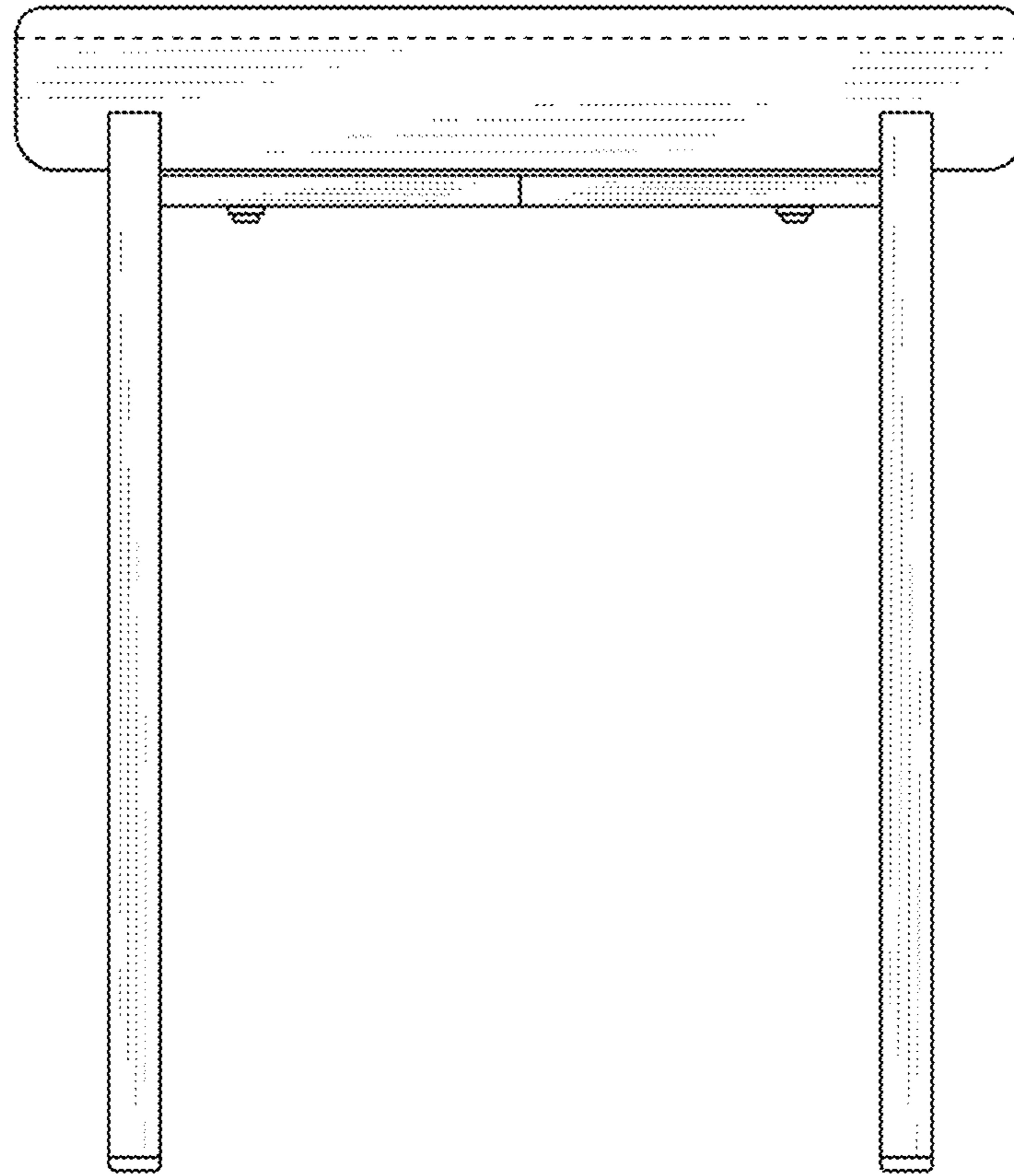


Fig.4

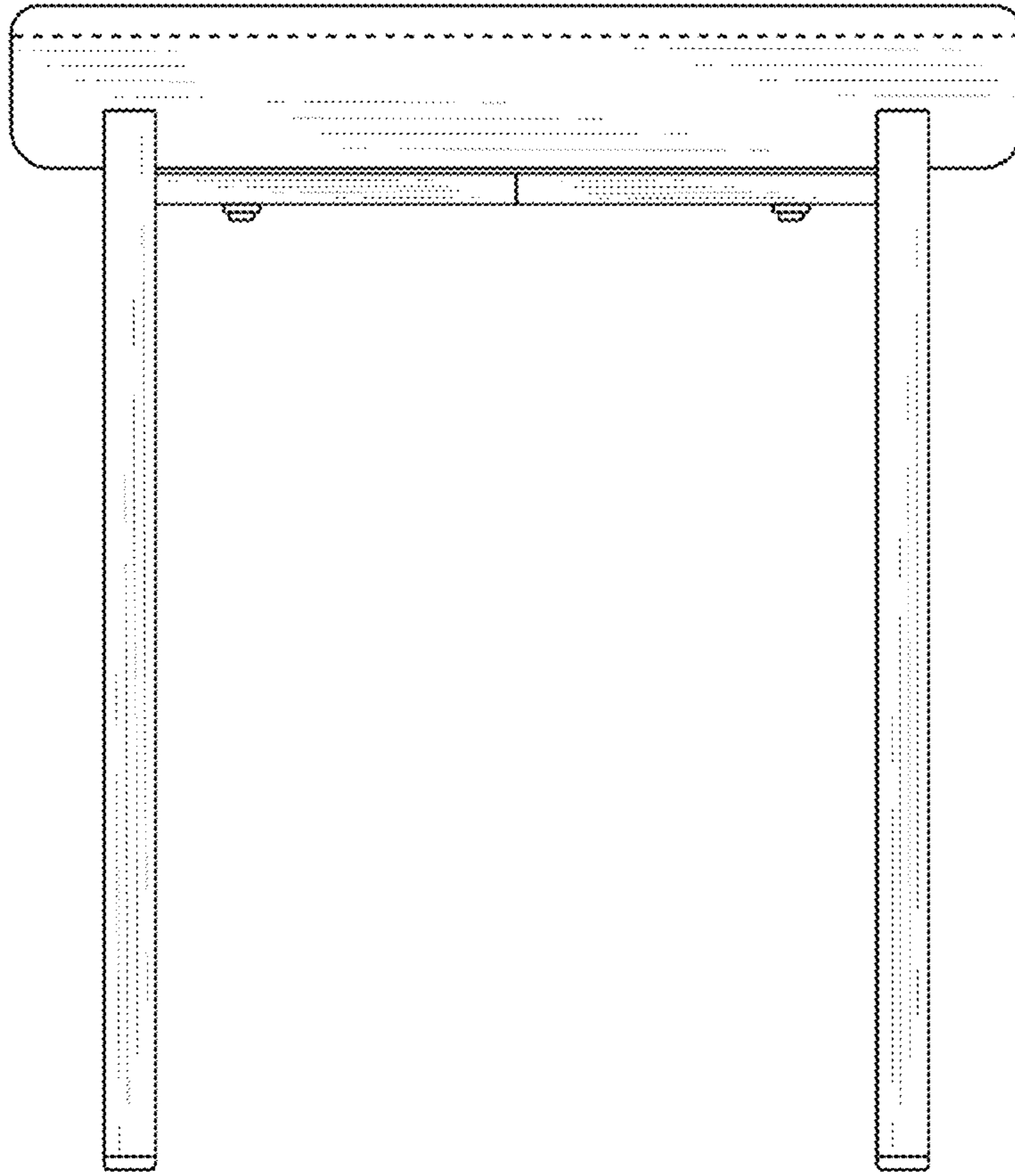


Fig.5

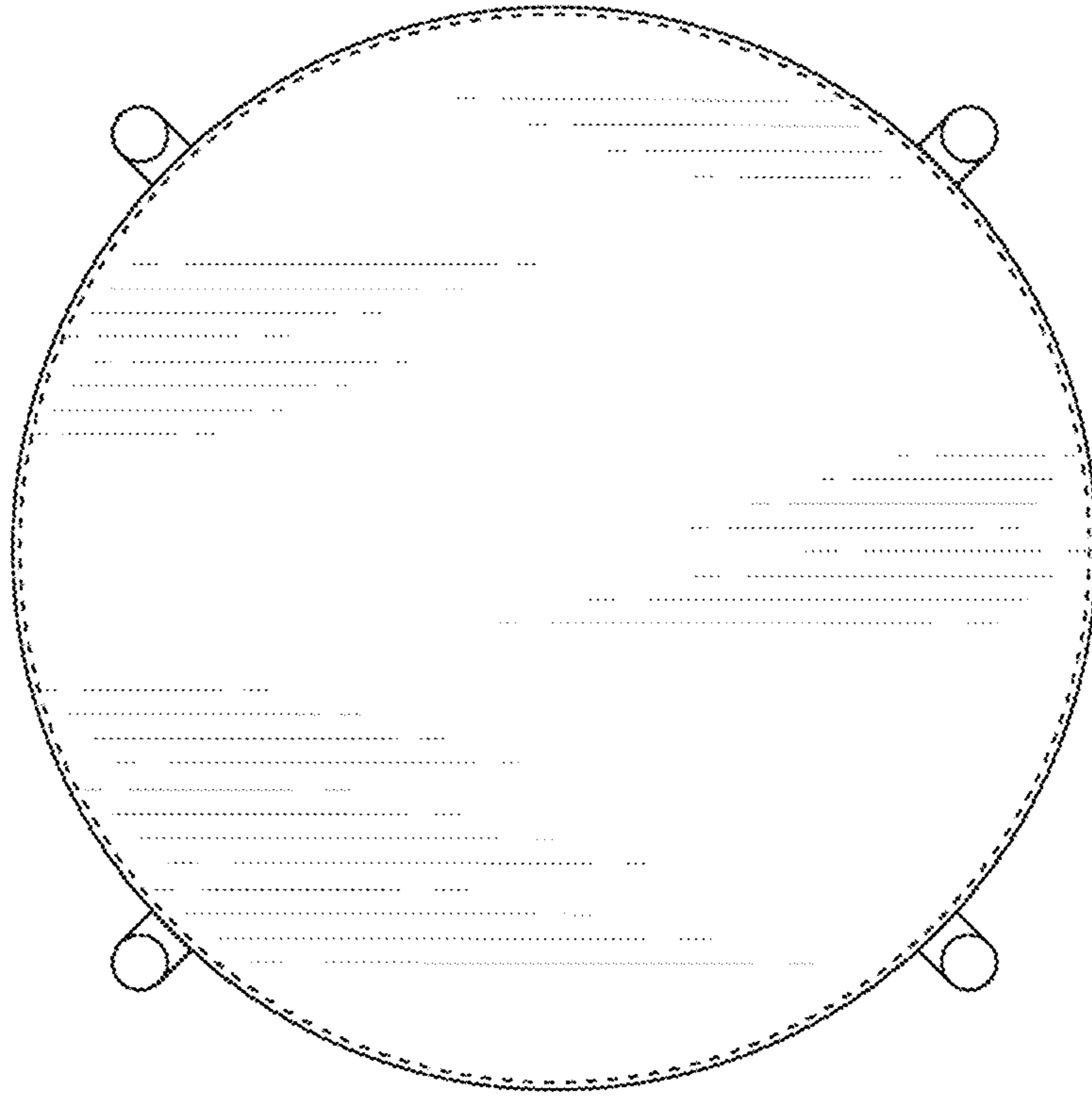


Fig.6

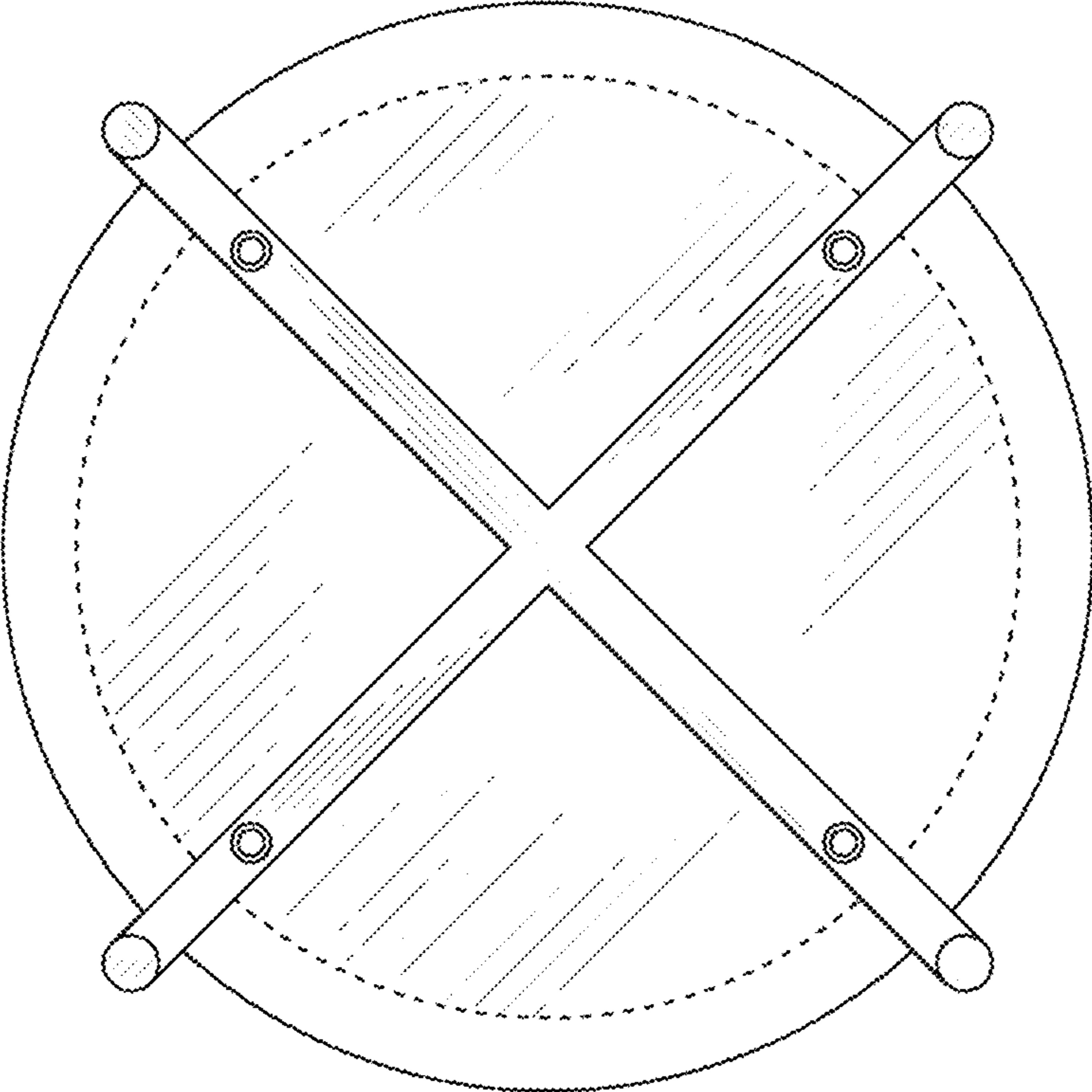


Fig.7