



US00D915088S

(12) **United States Design Patent** (10) **Patent No.:** **US D915,088 S**
Li (45) **Date of Patent:** **** Apr. 6, 2021**

(54) **BENCH**
(71) Applicant: **39F USA INC**, Rancho Cucamonga, CA (US)
(72) Inventor: **Yuehai Li**, Rancho Cucamonga, CA (US)
(**) Term: **15 Years**

D688,475 S * 8/2013 Blet D6/349
D699,956 S * 2/2014 Beucler D6/349
D717,554 S * 11/2014 Kapka D6/349
D730,652 S * 6/2015 Nigro D6/349
D800,460 S * 10/2017 Rockwell D6/349
D839,033 S * 1/2019 Woods D6/708
D842,616 S * 3/2019 Young D6/349
D859,016 S * 9/2019 Iwasaki D6/335
D868,518 S * 12/2019 Tamura D6/716
2010/0290215 A1 * 11/2010 Metcalf H01F 38/14
362/127

(21) Appl. No.: **29/715,891**

(22) Filed: **Dec. 5, 2019**

(51) **LOC (13) Cl.** **06-01**

(52) **U.S. Cl.**
USPC **D6/349**

(58) **Field of Classification Search**
USPC D6/334–338, 340–343, 349–353, 355,
D6/364–365, 372, 374, 691–691.1,
D6/692–692.6, 716–716.1; D25/63, 65
CPC A47B 7/00–02; A47C 11/00; A47C 12/00;
A47C 13/00; A47C 16/00; A47C
16/02–04; A47C 9/00–105; A47K 17/02;
A47K 17/028

See application file for complete search history.

(56) **References Cited**

U.S. PATENT DOCUMENTS

D151,780 S * 11/1948 Low D6/692.4
D167,739 S * 9/1952 Carr D6/691
D234,278 S * 2/1975 Jacobs D6/349
D306,539 S * 3/1990 Mergenov D6/692.2
D404,594 S * 1/1999 Muller D6/691.3
D474,345 S * 5/2003 Pessa D6/349
D553,869 S * 10/2007 Nelson D6/337
D561,487 S * 2/2008 Schweikarth D6/381
D639,084 S * 6/2011 Andersen D6/381
D642,820 S * 8/2011 Andersen D6/381
D650,612 S * 12/2011 Frinier D6/691.3

OTHER PUBLICATIONS

Juneau Leather and Metal Bench, [online] Retrieved Nov. 17, 2020 from URL: <https://www.cb2.com/juneau-leather-and-metal-bench/S448328>.*

* cited by examiner

Primary Examiner — Vy N Koenig
(74) *Attorney, Agent, or Firm* — Feng Qian

(57) **CLAIM**

The ornamental design for a bench, as shown and described.

DESCRIPTION

FIG. 1 is a front perspective view of a bench showing my new design;

FIG. 2 is a front elevation view thereof;

FIG. 3 is a rear elevation view thereof;

FIG. 4 is a left-side elevation view thereof;

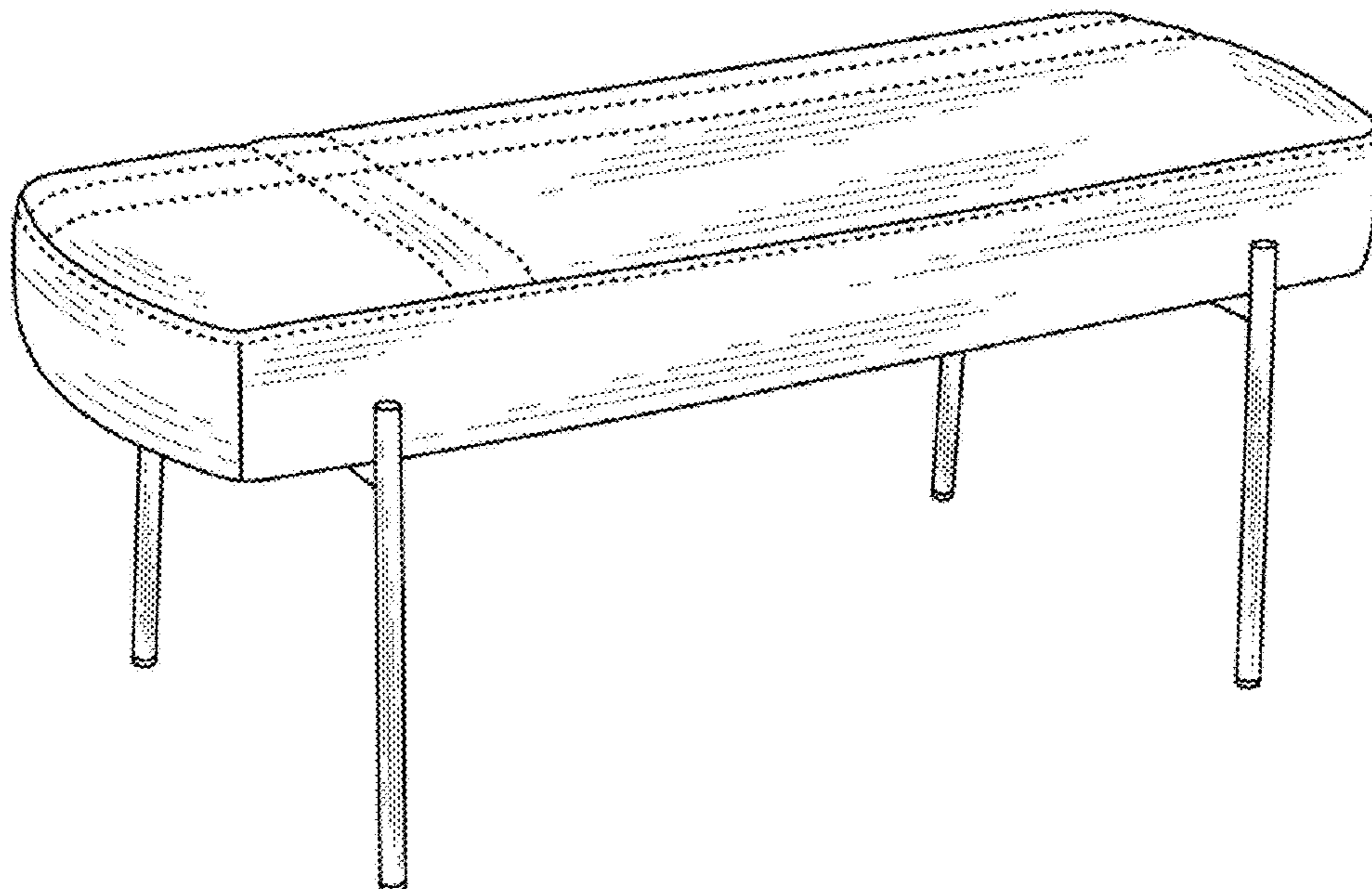
FIG. 5 is a right-side elevation view thereof;

FIG. 6 is a top plan view thereof; and,

FIG. 7 is a bottom plan view thereof.

The broken lines shown in the drawings are for the purpose of illustrating portions of the bench that form no part of the claimed design.

1 Claim, 7 Drawing Sheets



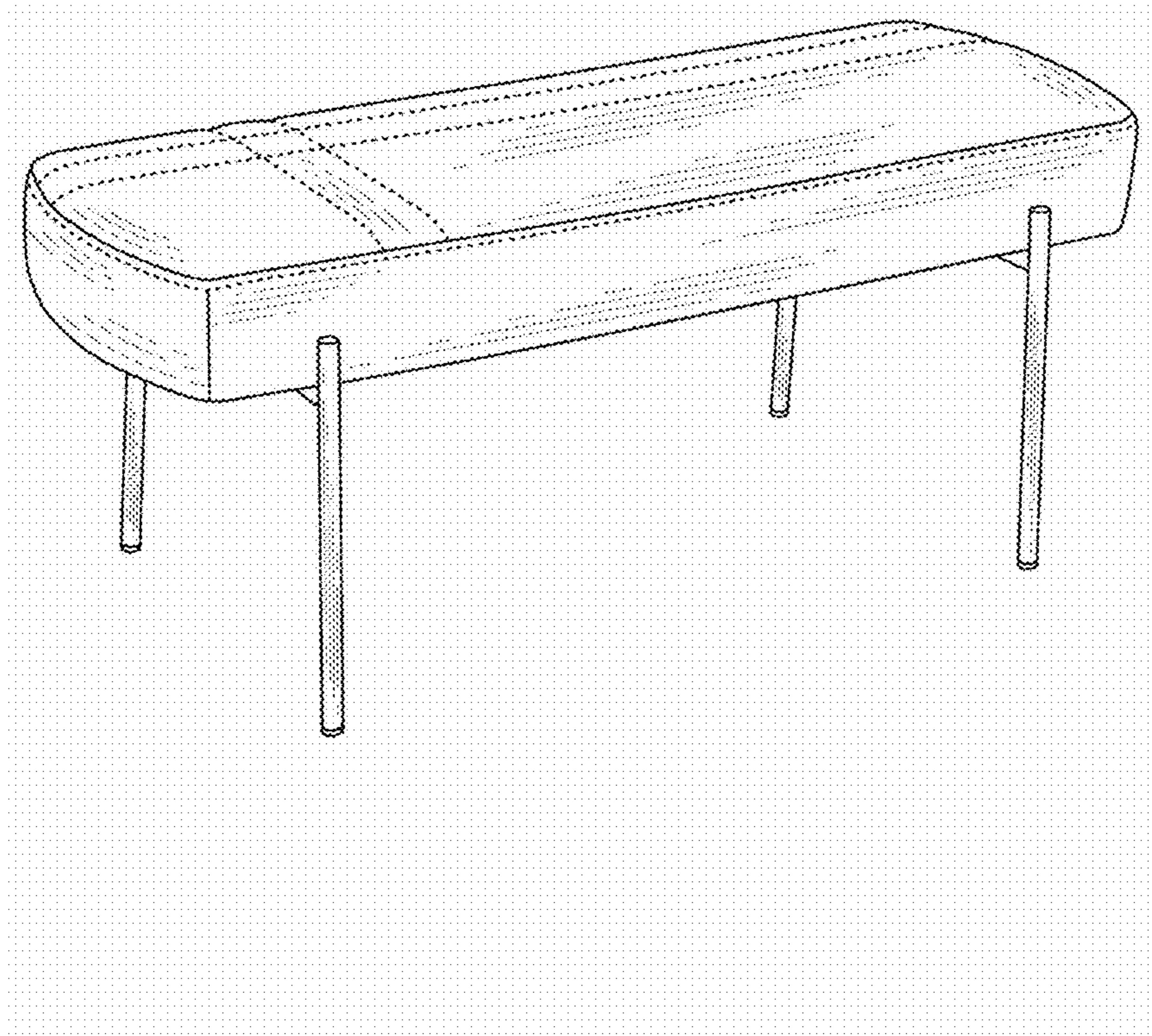


Fig.1



Fig.2

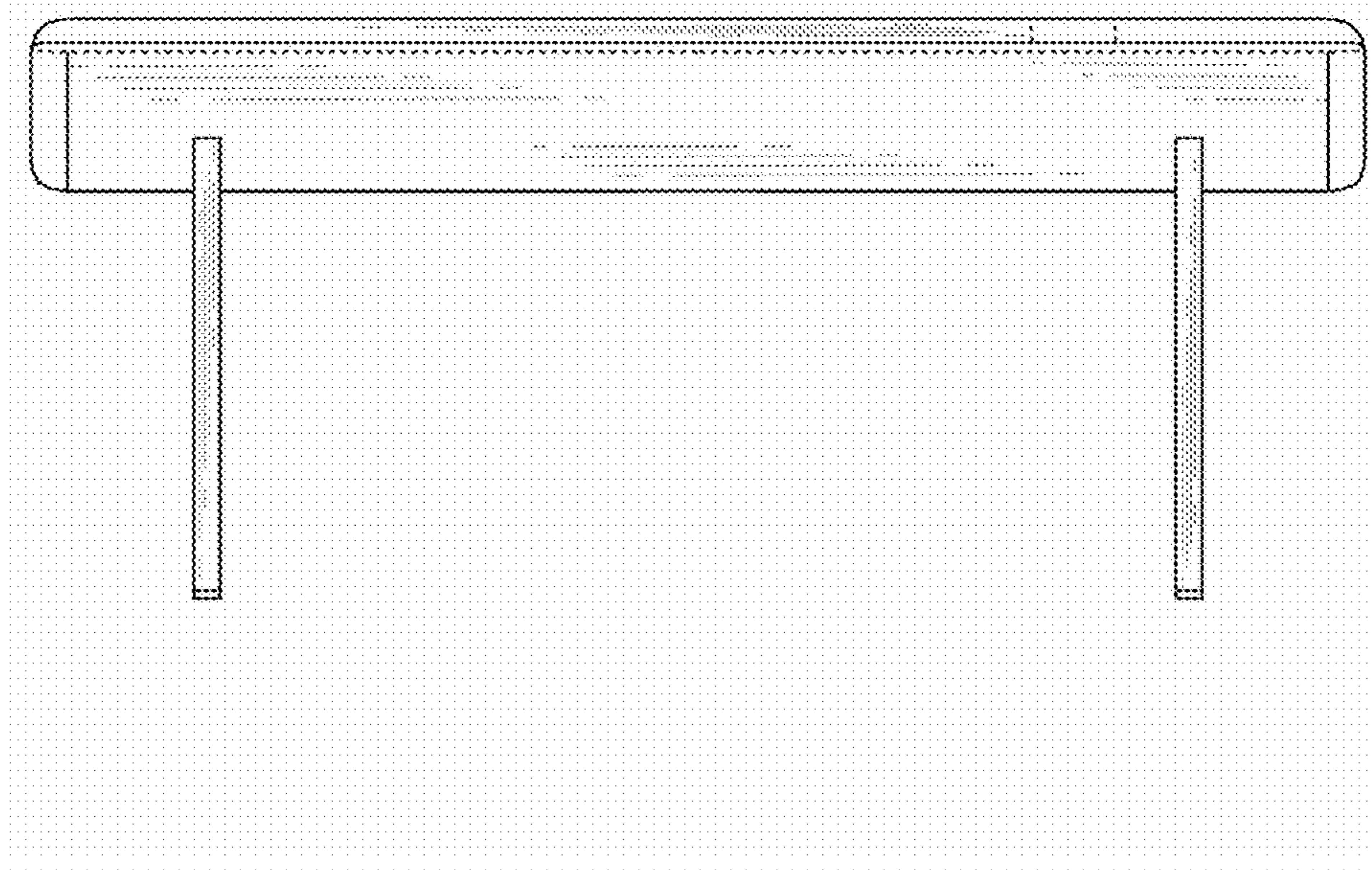


Fig.3

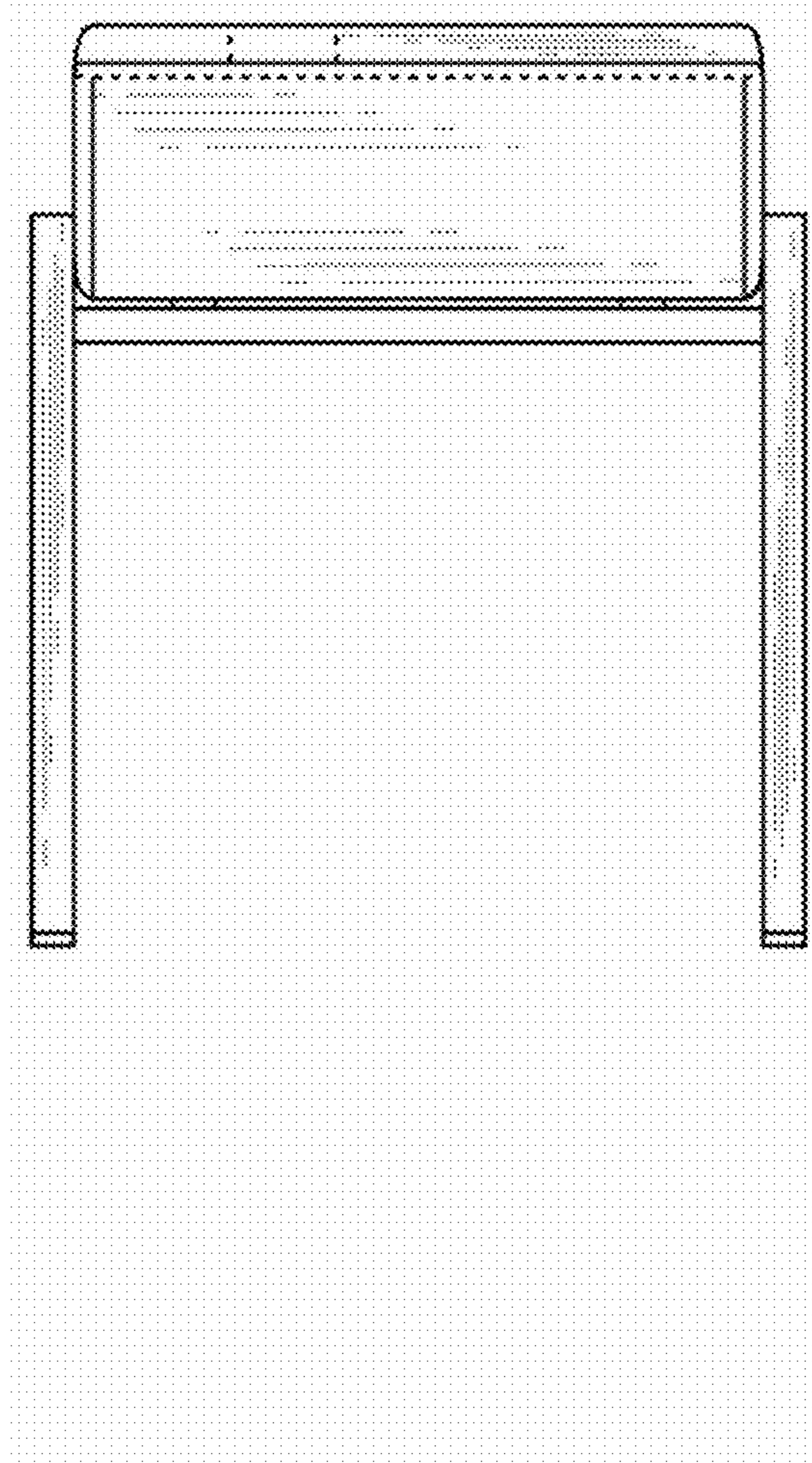


Fig.4

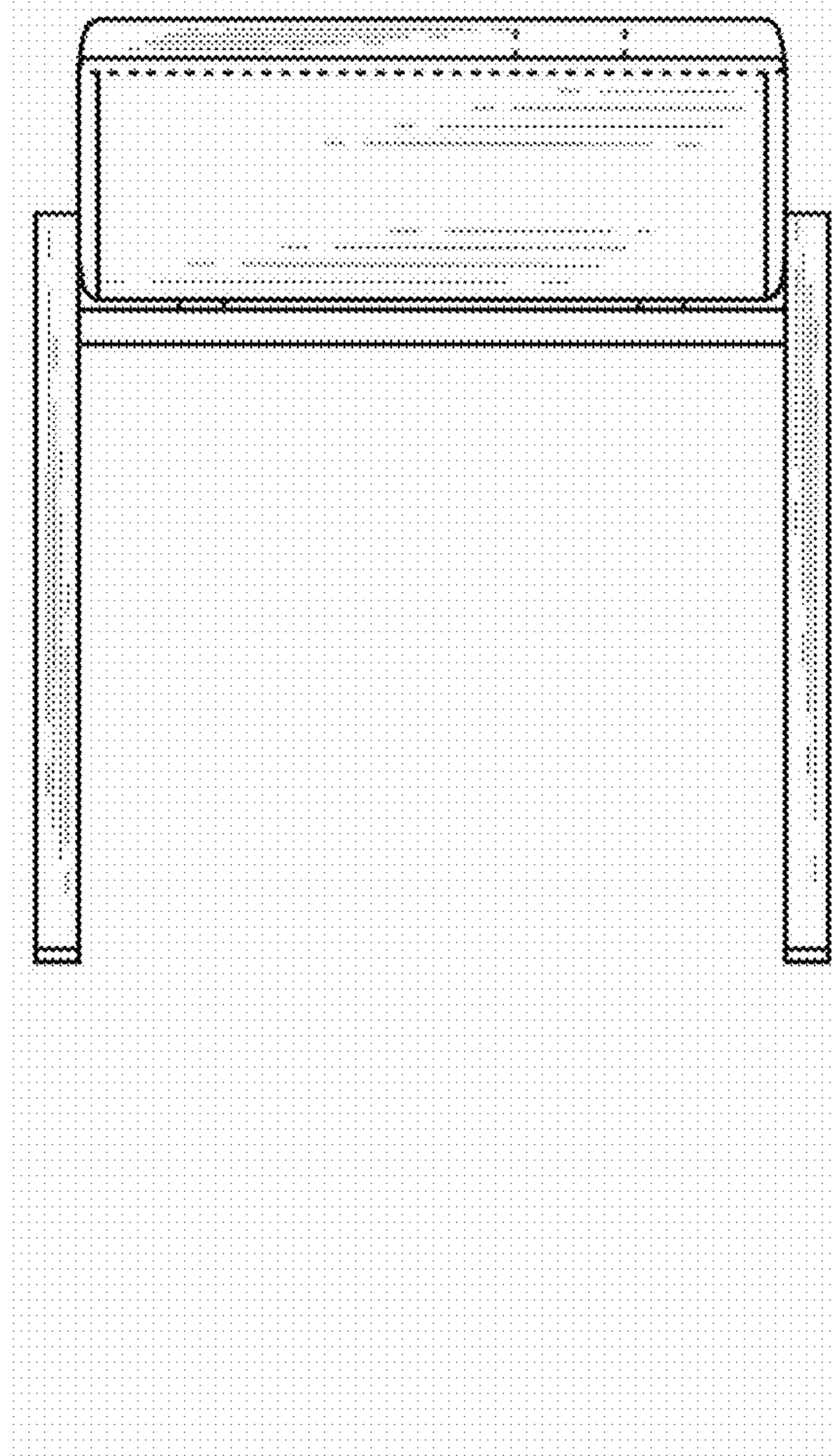


Fig.5

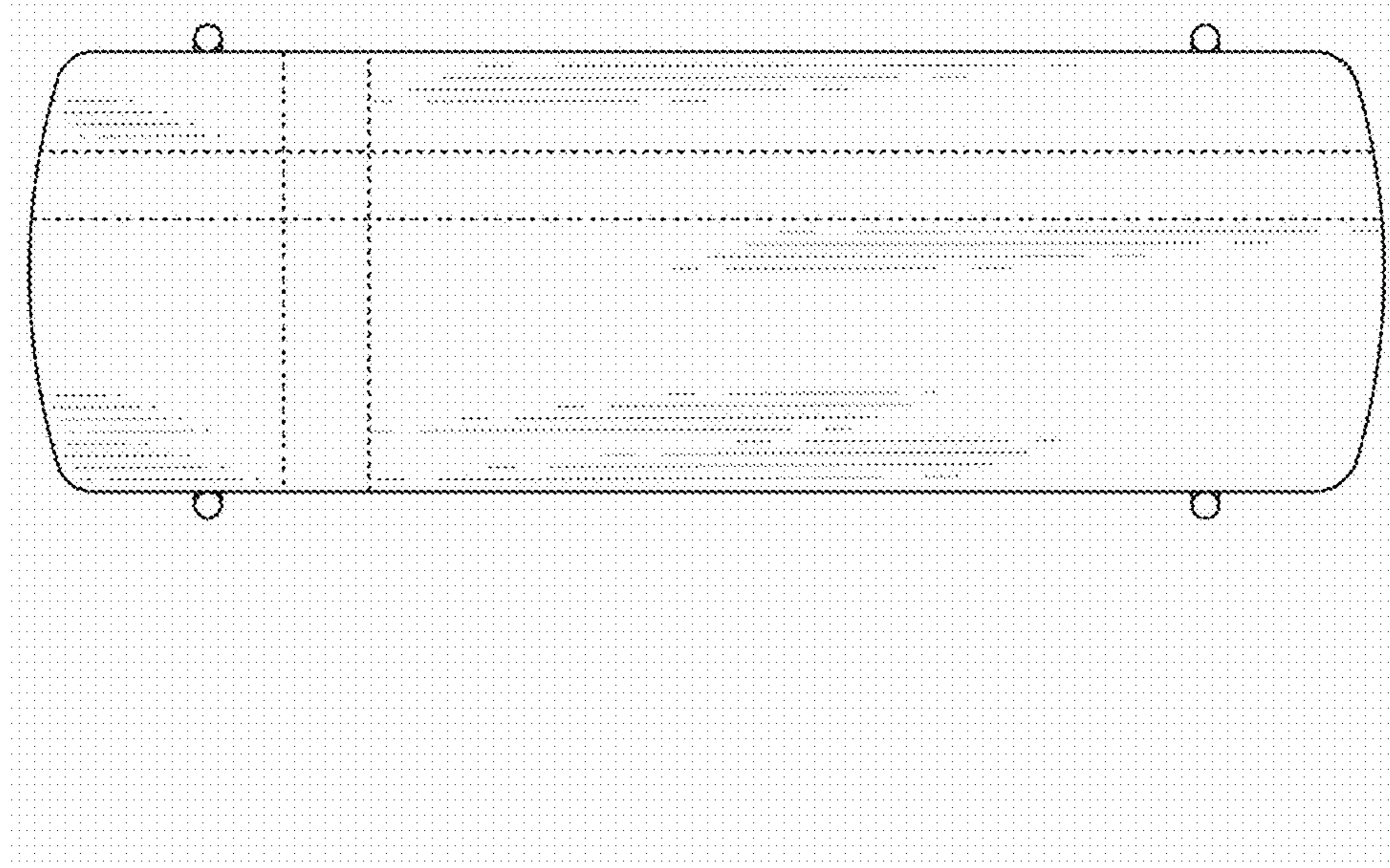


Fig.6

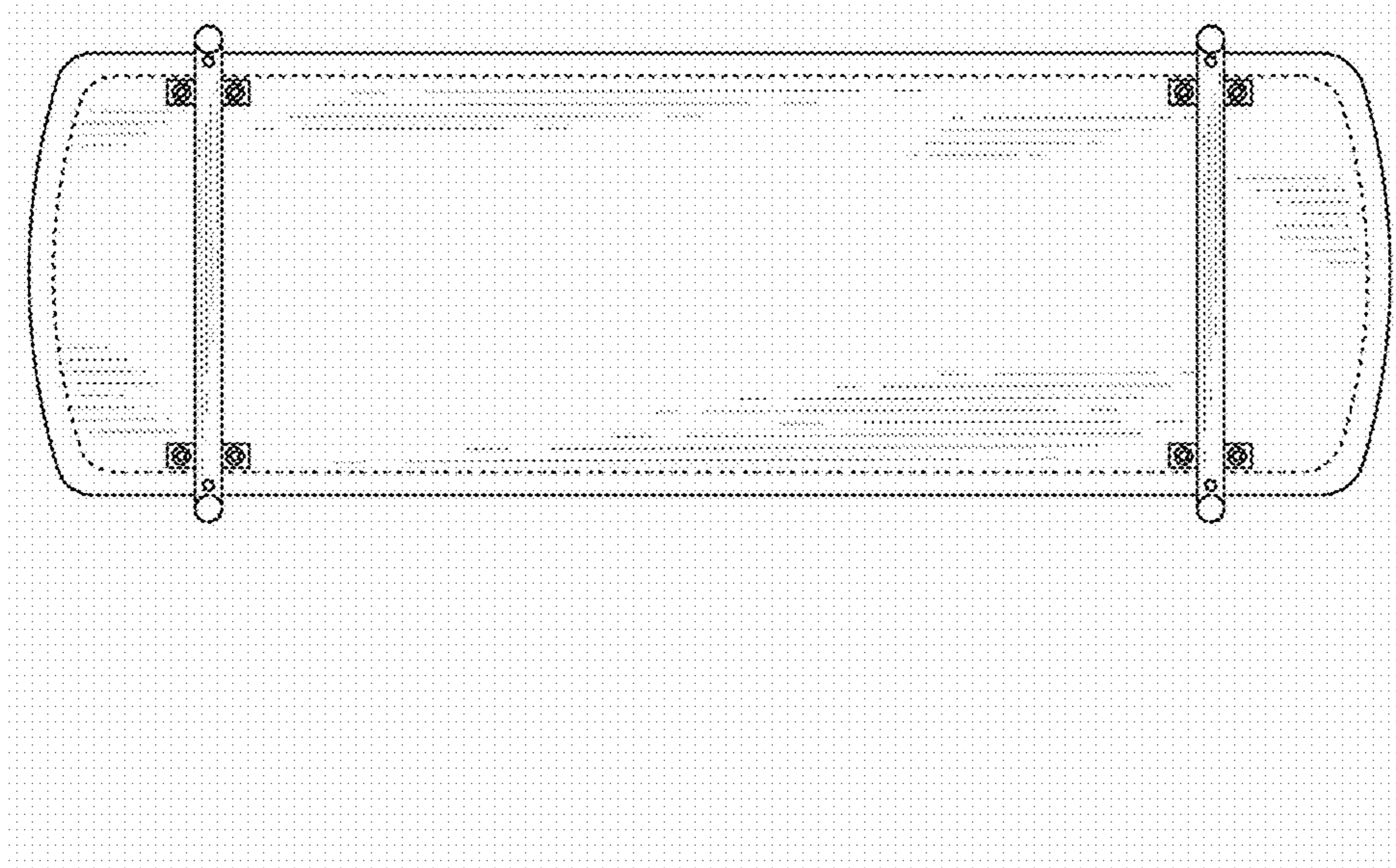


Fig.7