



US00D915087S

(12) **United States Design Patent** (10) **Patent No.:** **US D915,087 S**
Li (45) **Date of Patent:** **** Apr. 6, 2021**

(54) **STOOL**
(71) Applicant: **39F USA INC**, Rancho Cucamonga, CA (US)
(72) Inventor: **Yuehai Li**, Rancho Cucamonga, CA (US)
(**) Term: **15 Years**
(21) Appl. No.: **29/697,418**
(22) Filed: **Jul. 8, 2019**
(51) **LOC (13) Cl.** **06-01**
(52) **U.S. Cl.**
USPC **D6/349**
(58) **Field of Classification Search**
USPC D6/334-338, 340-343, 349-353, 355, D6/364-365, 372, 374, 691-691.1, D6/692-692.6, 716-716.1; D25/63, 65
CPC A47B 7/00-02; A47C 11/00; A47C 12/00; A47C 13/00; A47C 16/00; A47C 16/02-04; A47C 9/00-105; A47K 17/02; A47K 17/028
See application file for complete search history.

D717,554 S * 11/2014 Kapka D6/349
D767,923 S * 10/2016 Cochran D6/691
D800,460 S * 10/2017 Rockwell D6/349
D842,617 S * 3/2019 Carter D6/349
D897,128 S * 9/2020 Killinger D6/381
D898,306 S * 10/2020 Caulk D30/199

OTHER PUBLICATIONS

Reese 15.5" Velvet Square Standard Ottoman. [online] Retrieved Nov. 17, 2020 from URL: <https://www.allmodern.com/furniture/pdp/reese-155-velvet-square-standard-ottoman-a000686984.html>.
Olivia Grey Velvet Metal Y-Leg Square Storage Ottoman. [online] Retrieved Nov. 17, 2020 from URL: <https://www.homedepot.com/p/Inspired-Home-Olivia-Grey-Velvet-Metal-Y-Leg-Square-Storage-Ottoman-SO01-02GR-HD/310084095>.

* cited by examiner

Primary Examiner — Vy N Koenig
(74) *Attorney, Agent, or Firm* — Feng Qian

(57) **CLAIM**

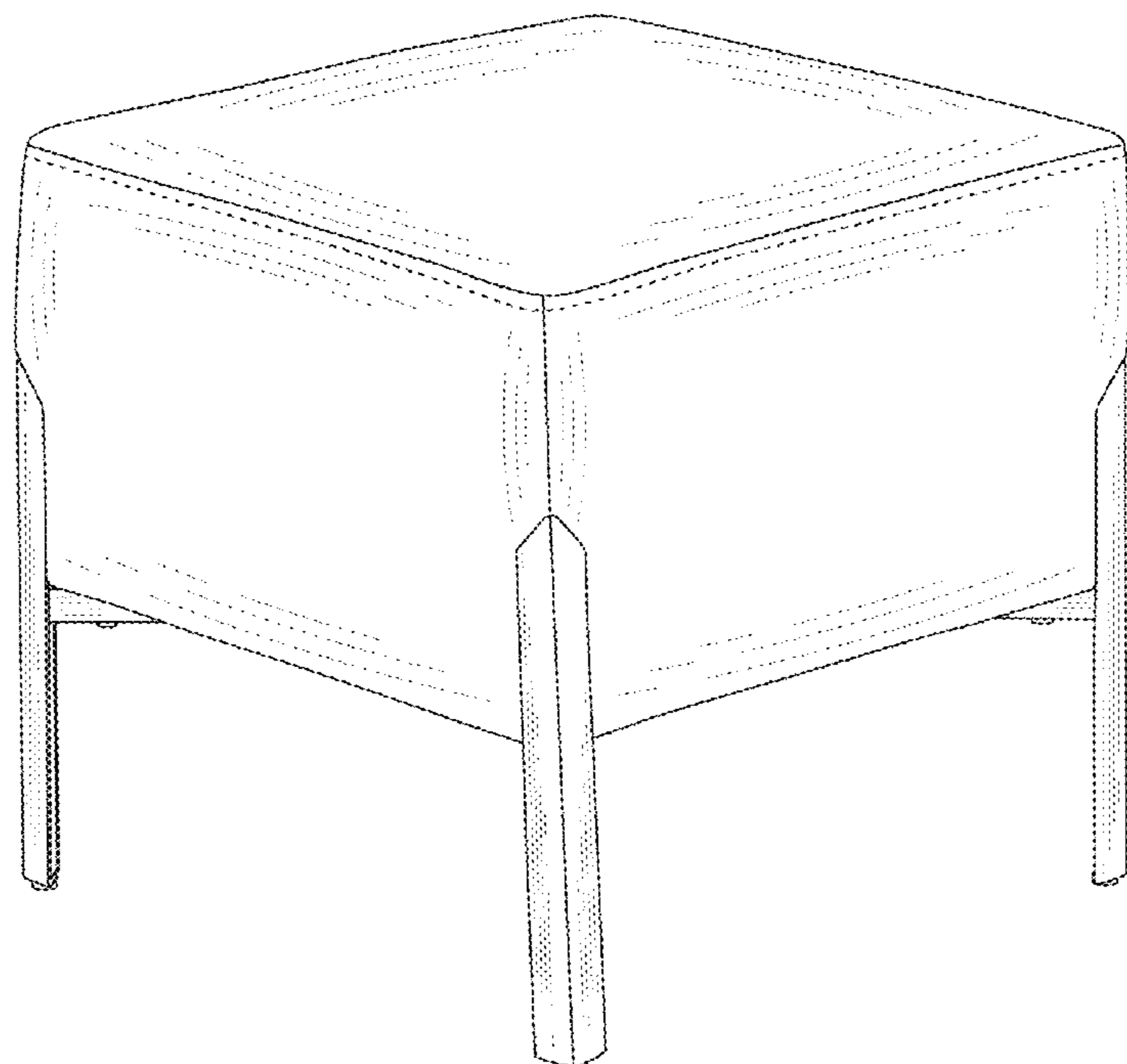
The ornamental design for a stool, as shown and described.

DESCRIPTION

FIG. 1 is a front perspective view of a stool showing my new design;
FIG. 2 is a front elevation view thereof;
FIG. 3 is a rear elevation view thereof;
FIG. 4 is a left-side elevation view thereof;
FIG. 5 is a rear perspective view thereof;
FIG. 6 is a top plan view thereof; and,
FIG. 7 is a bottom plan view thereof.
The broken lines shown in the drawings are for the purpose of illustrating portions of the stool that form no part of the claimed design.

1 Claim, 7 Drawing Sheets

(56) **References Cited**
U.S. PATENT DOCUMENTS
D93,232 S * 9/1934 McChesney et al. D6/349
D184,081 S * 12/1958 Belz D6/336
3,227,112 A * 1/1966 Wiseman A47B 85/04
108/11
D224,494 S * 8/1972 Kerman D6/691.8
D335,788 S * 5/1993 Grosfillex D6/349
D360,992 S * 8/1995 Hutton D6/349
D597,328 S * 8/2009 Schweikarth D6/355
D685,198 S * 7/2013 Arko D6/349



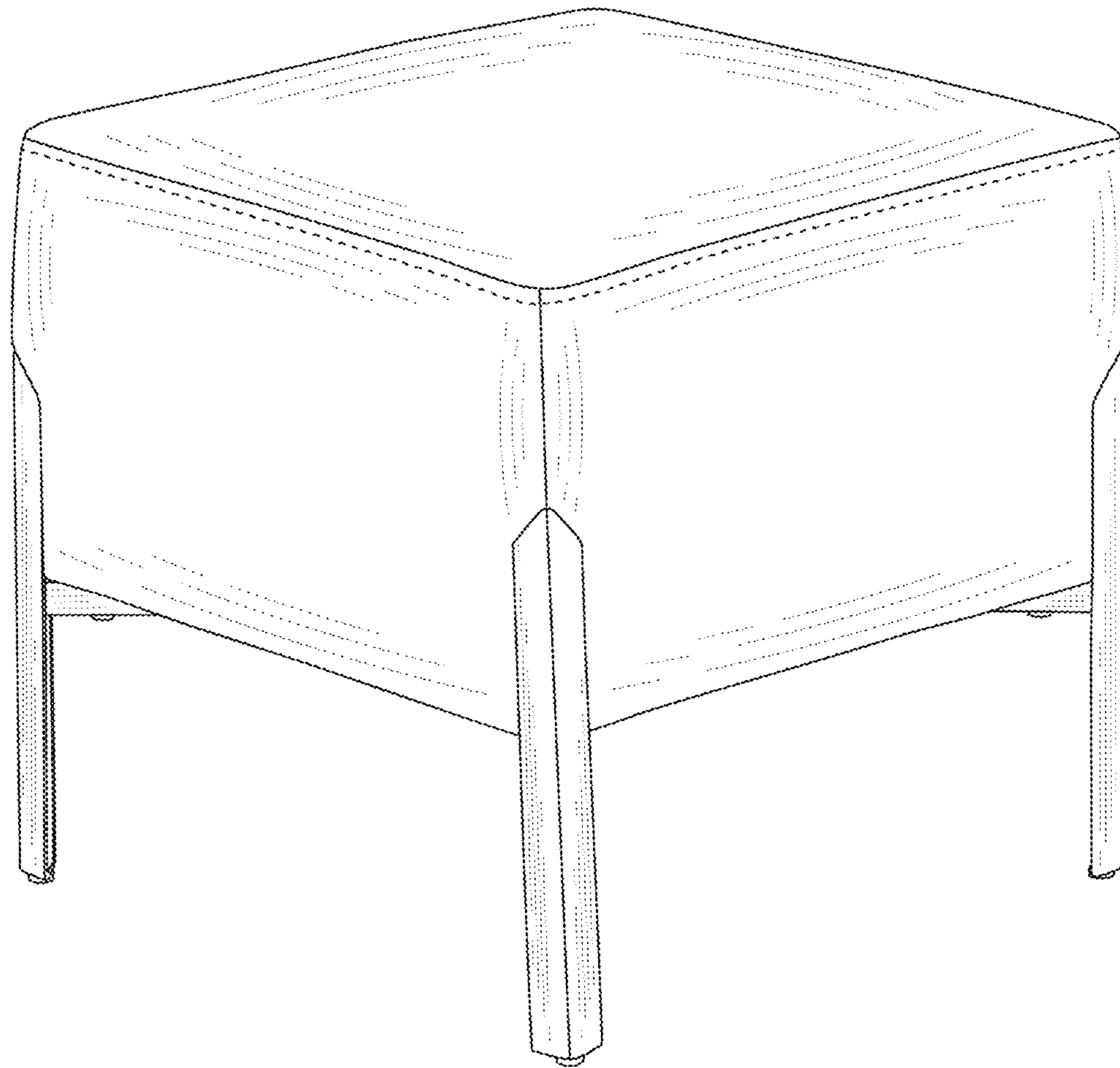


Fig.1

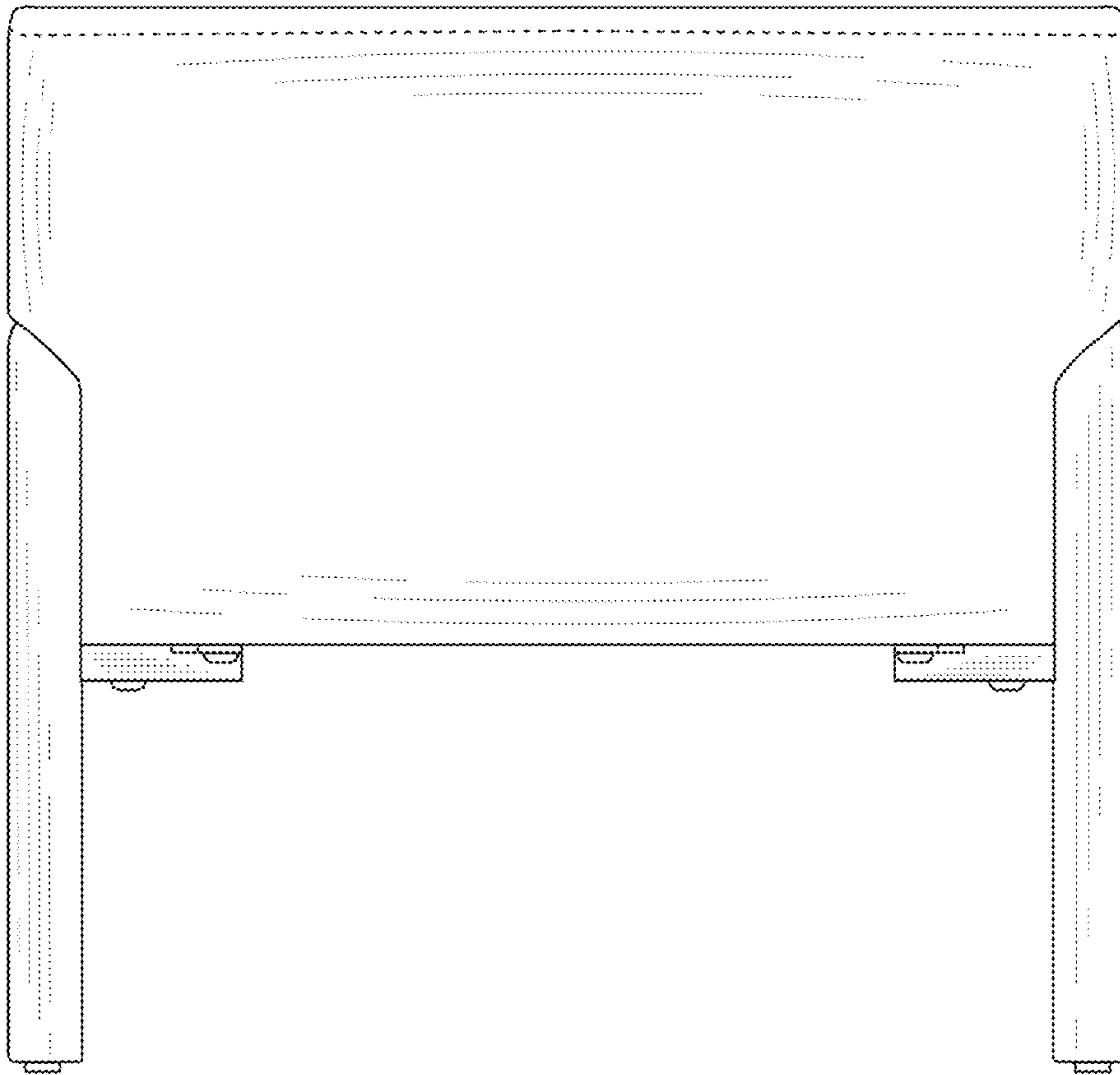


Fig.2

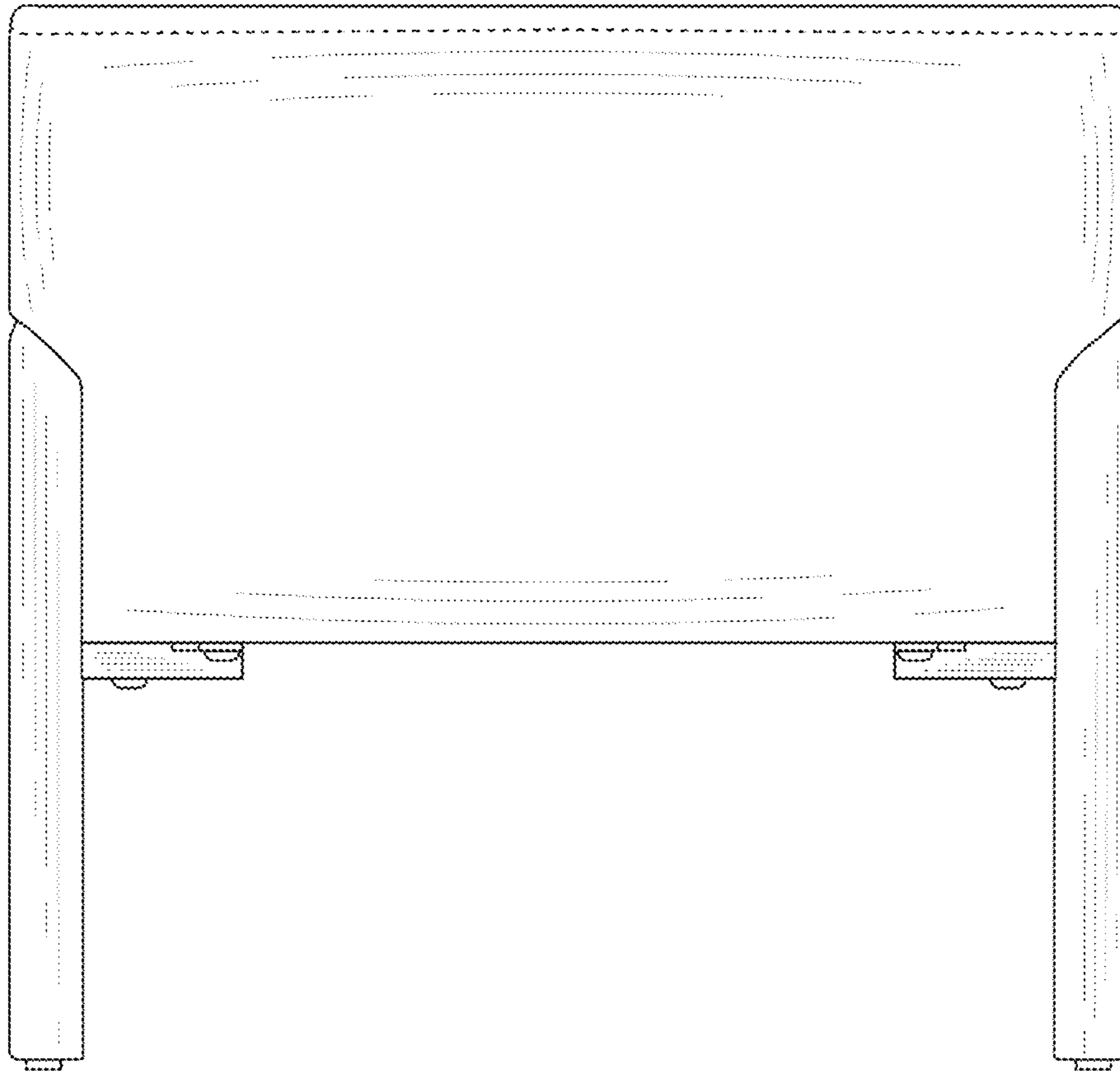


Fig.3

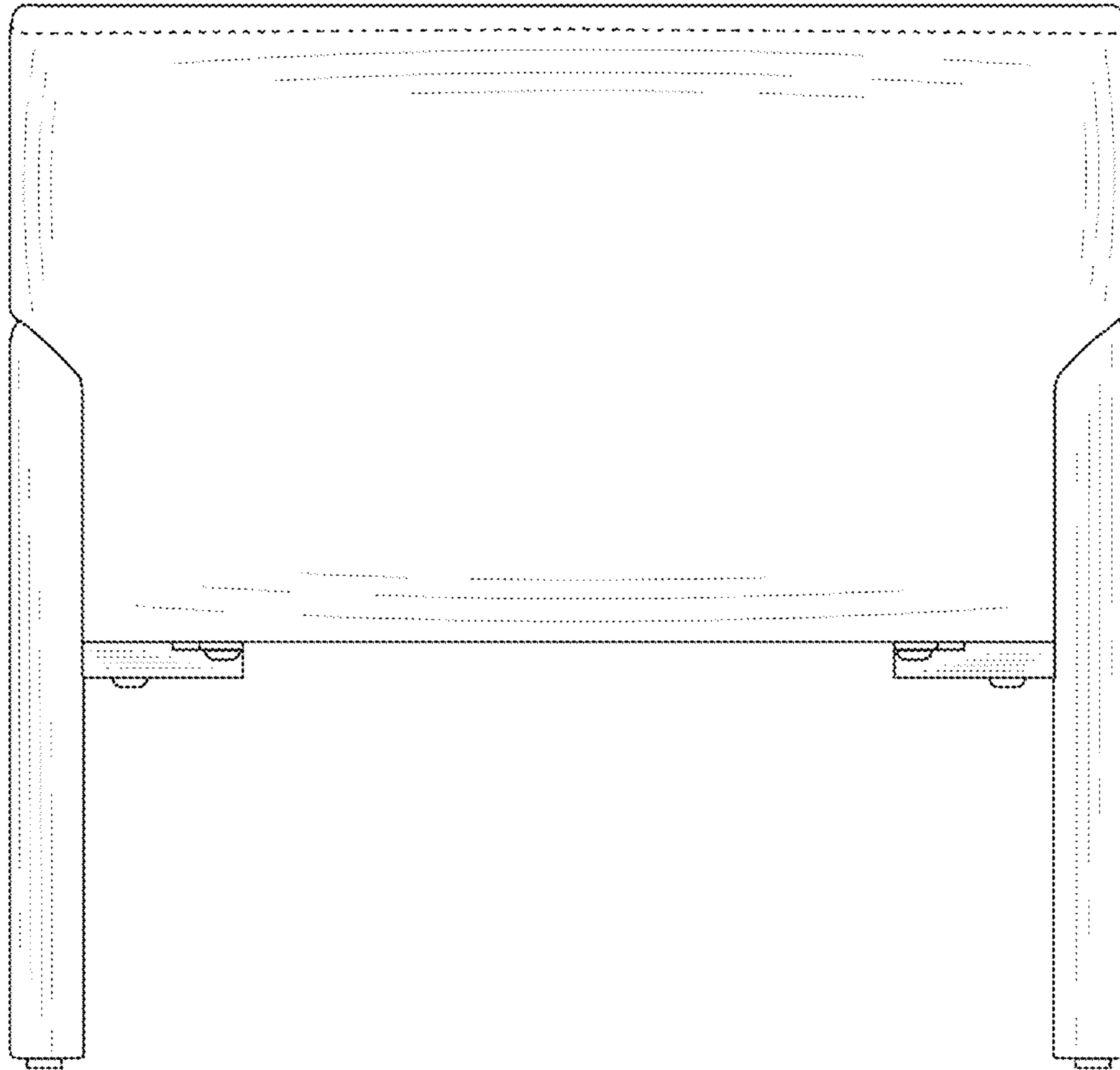


Fig.4

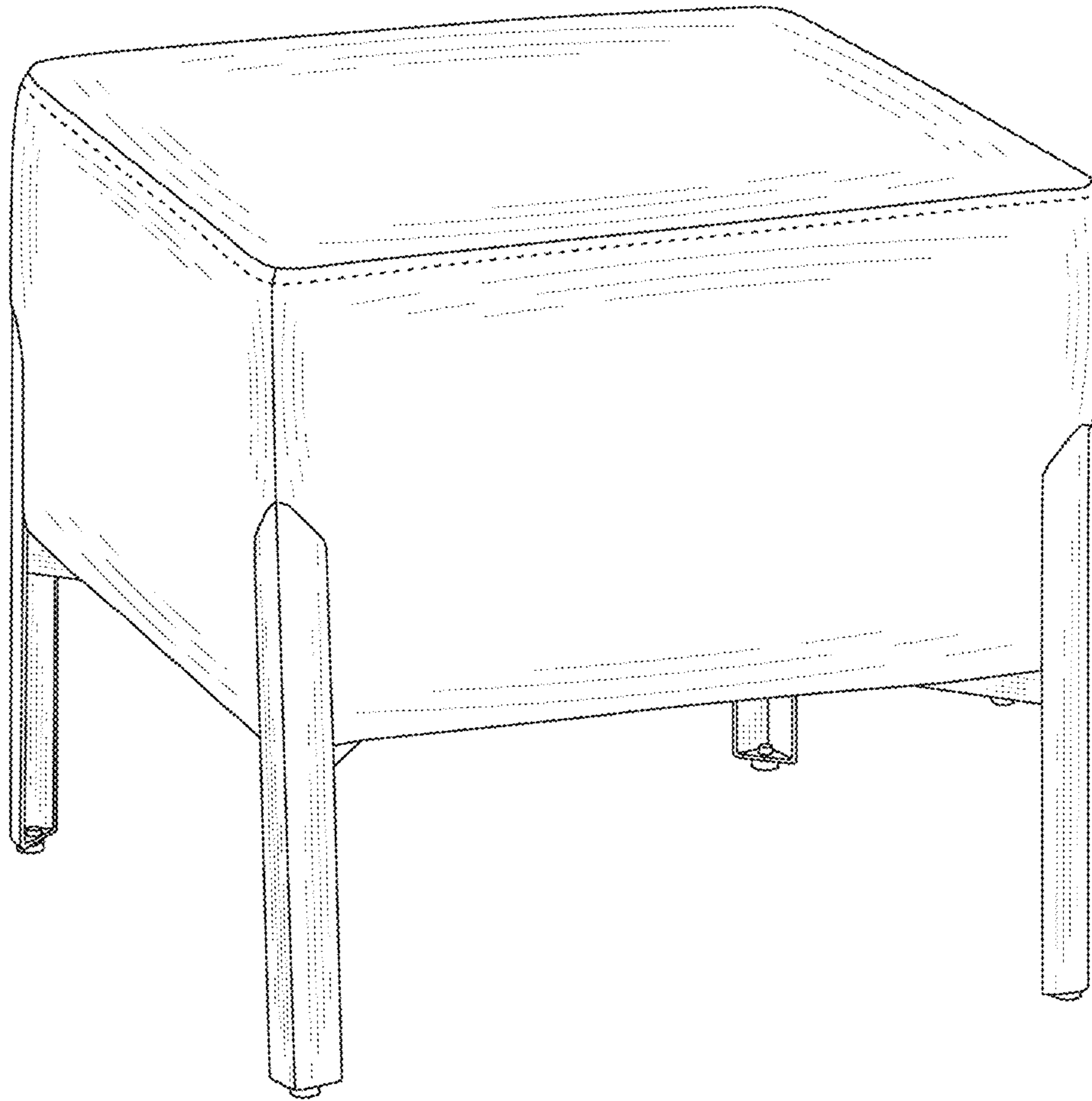


Fig.5

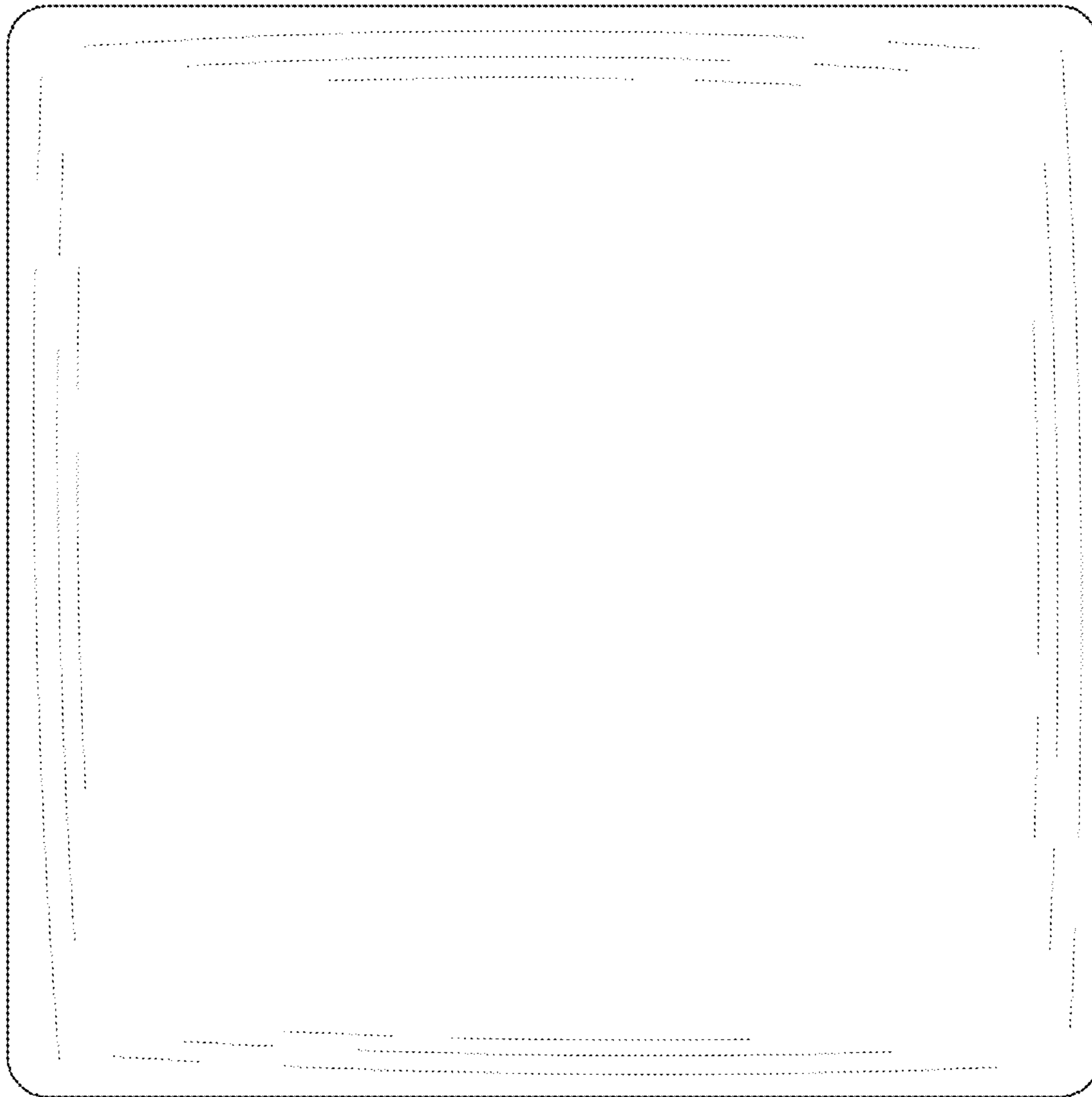


Fig.6

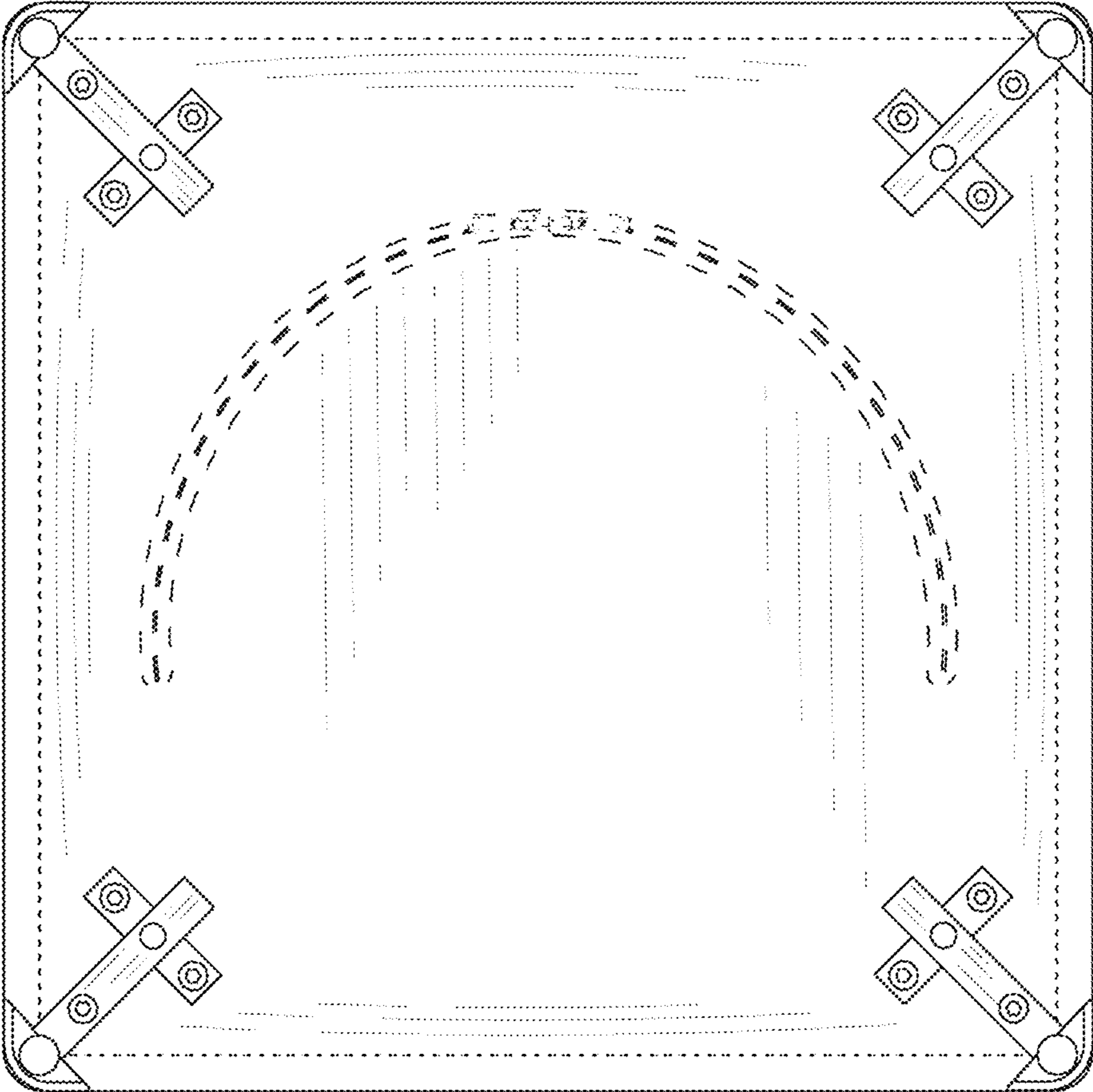


Fig.7