



US00D915085S

(12) **United States Design Patent** (10) **Patent No.:** **US D915,085 S**  
**Kanthasamy** (45) **Date of Patent:** **\*\* Apr. 6, 2021**

(54) **CONVERTIBLE SOFA WITH FOLDABLE TRAY AND STORAGE COMPARTMENT**

(71) Applicant: **Abedan Kanthasamy**, Mississauga (CA)

(72) Inventor: **Abedan Kanthasamy**, Mississauga (CA)

(\*) Notice: This patent is subject to a terminal disclaimer.

(\*\*) Term: **15 Years**

(21) Appl. No.: **29/659,315**

(22) Filed: **Aug. 8, 2018**

(30) **Foreign Application Priority Data**

May 18, 2018 (CA) ..... CA181469

(51) **LOC (13) Cl.** ..... **06-01**

(52) **U.S. Cl.**  
USPC ..... **D6/336; D6/381**

(58) **Field of Classification Search**  
USPC ..... D6/334, 335, 374, 375, 377, 381, 336, D6/384

(Continued)

(56) **References Cited**

**U.S. PATENT DOCUMENTS**

1,907,322 A \* 5/1933 Keicher ..... A47C 7/70  
297/145

D151,295 S \* 10/1948 Stanley ..... D6/336

(Continued)

*Primary Examiner* — Cathron C Brooks

(74) *Attorney, Agent, or Firm* — Harness, Dickey & Pierce, P.L.C.

(57) **CLAIM**

The ornamental design for a convertible sofa with foldable tray and storage compartment, as shown and described.

**DESCRIPTION**

FIG. 1 is a front view of a convertible sofa with foldable tray and storage compartment embodying the design in a first position;

FIG. 2 is a perspective view of the convertible sofa with foldable tray and storage compartment in the first position;

FIG. 3 is a perspective view of the convertible sofa with foldable tray and storage compartment in a second position;

FIG. 4 is a perspective view of the convertible sofa with foldable tray and storage compartment in a third position;

FIG. 5 is a perspective view of the convertible sofa with foldable tray and storage compartment in a fourth position;

FIG. 6 is a perspective view of the convertible sofa with foldable tray and storage compartment in a fifth position;

FIG. 7 is a perspective view of the convertible sofa with foldable tray and storage compartment in a sixth position;

FIG. 8 is a right side view of the convertible sofa with foldable tray and storage compartment in third position;

FIG. 9 is a left side view of the convertible sofa with foldable tray and storage compartment in third position;

FIG. 10 is a right side view of the convertible sofa with foldable tray and storage compartment in fourth position;

FIG. 11 is a left side view of the convertible sofa with foldable tray and storage compartment in fourth position;

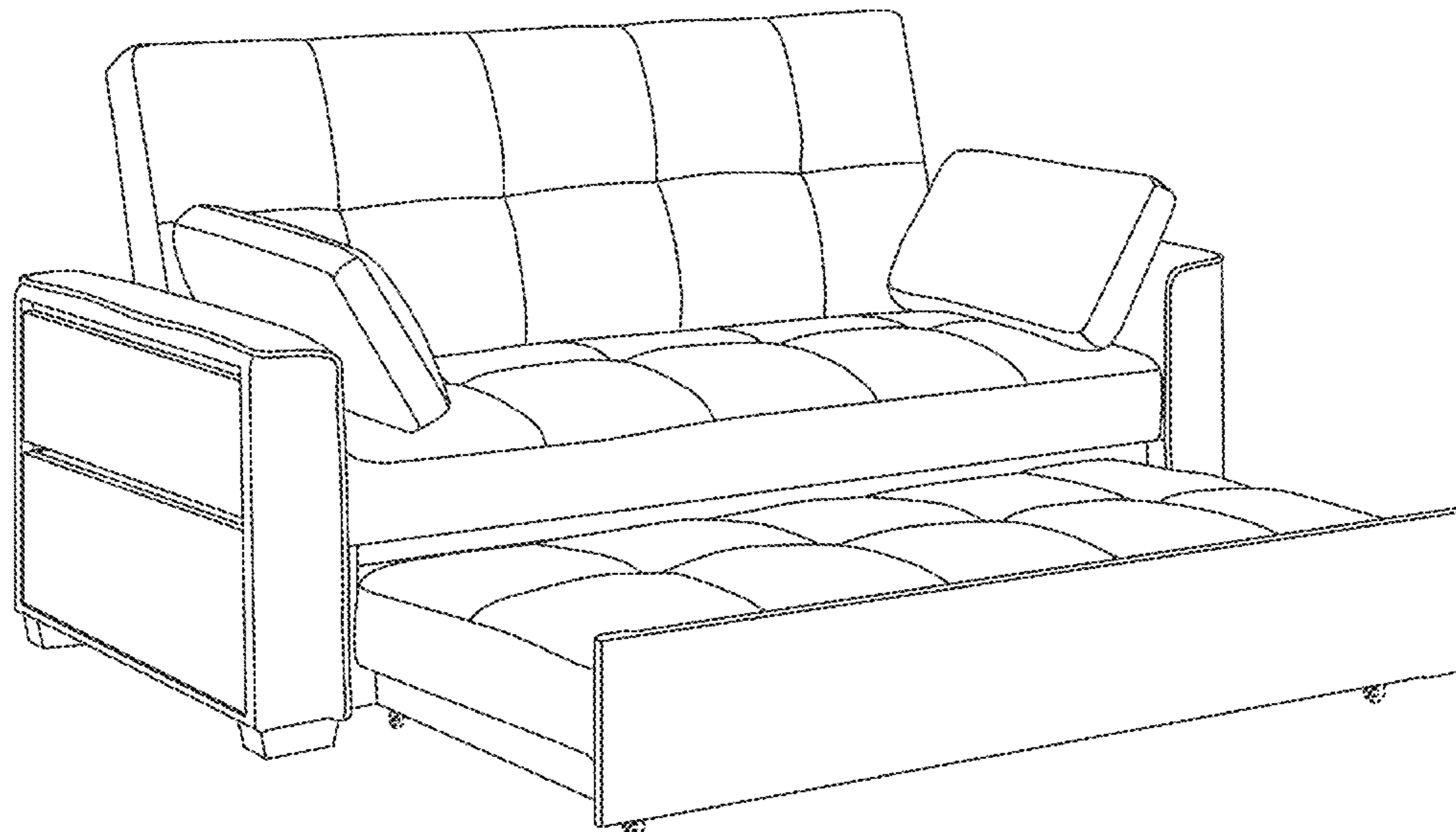
FIG. 12 is a perspective view of the convertible sofa with foldable tray and storage compartment in a seventh position with arrows indicating the direction of movement;

FIG. 13 is a perspective view of the convertible sofa with foldable tray and storage compartment in an eighth position with arrows indicating the direction of movement; and,

FIG. 14 is a perspective view of the convertible sofa with foldable tray and storage compartment in a ninth position with arrows indicating the direction of movement.

The broken line showing of the linkage and wheels in the drawings forms no part of the claimed design.

**1 Claim, 14 Drawing Sheets**



- (58) **Field of Classification Search**  
CPC ..... A47C 17/00; A47C 17/02; A47C 17/04;  
A47C 17/045; A47C 17/13; A47C  
17/132; A47C 17/134; A47C 17/16; A47C  
17/162; A47C 17/17; A47C 17/18; A47C  
17/2086

See application file for complete search history.

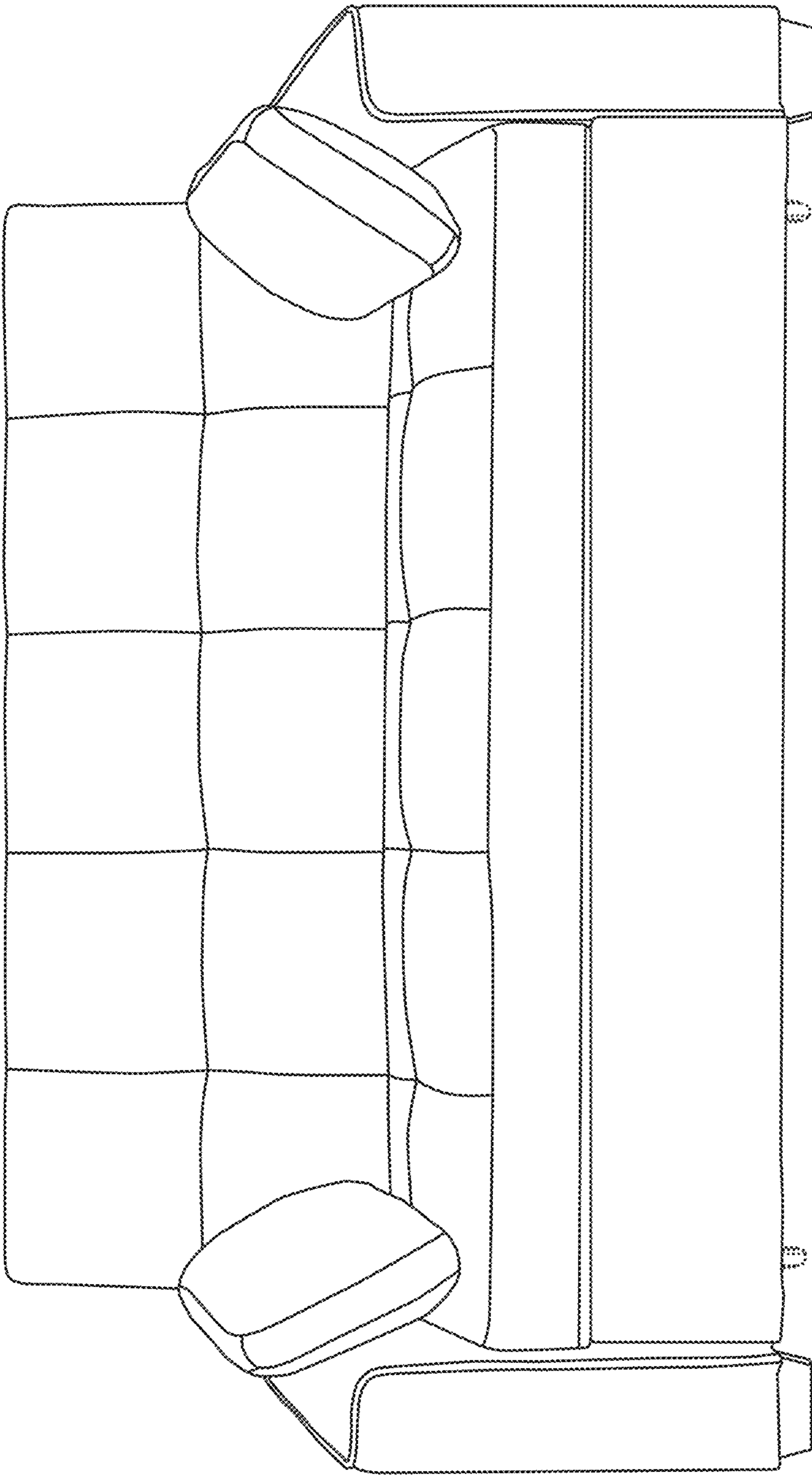
- (56) **References Cited**

U.S. PATENT DOCUMENTS

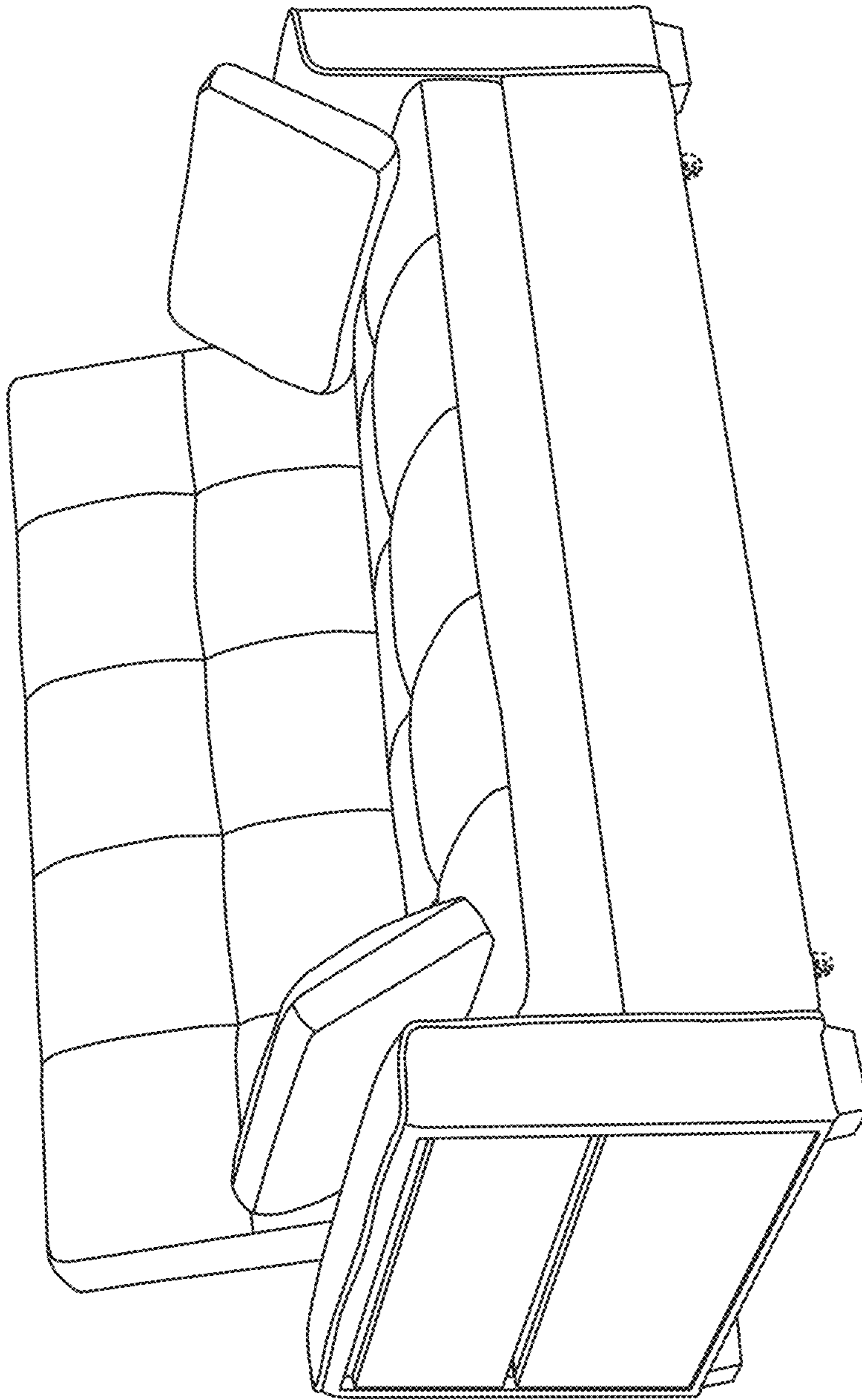
2,452,642 A \* 11/1948 Ewing ..... A47C 17/12  
297/116  
2,610,329 A \* 9/1952 Strathaus ..... A47C 17/16  
5/59.1  
D179,829 S \* 3/1957 Forest ..... D6/377  
D257,454 S \* 10/1980 Nash ..... D6/364  
5,217,277 A \* 6/1993 Rasnick ..... A47B 43/02  
297/145

5,505,358 A \* 4/1996 Haase ..... B60R 7/00  
224/277  
D477,152 S \* 7/2003 Levy ..... D6/335  
D603,617 S \* 11/2009 Weiss ..... D6/381  
D613,960 S \* 4/2010 Griepentrog ..... D6/381  
D618,929 S \* 7/2010 Yeong ..... D6/381  
D621,174 S \* 8/2010 Kanthasamy ..... D6/381  
D635,792 S \* 4/2011 Kanthasamy ..... D6/381  
D719,754 S \* 12/2014 Pathiratne ..... D6/381  
D811,100 S \* 2/2018 Andersen ..... D6/335  
10,123,627 B2 \* 11/2018 King ..... A47C 7/50  
D841,992 S \* 3/2019 Kershner ..... D6/335  
2010/0269255 A1 \* 10/2010 Kanthasamy ..... A47C 17/1655  
5/37.1  
2011/0012393 A1 \* 1/2011 Kanthasamy ..... A47B 83/02  
297/173  
2014/0375088 A1 \* 12/2014 Fuchs ..... A47B 85/04  
297/125  
2019/0099005 A1 \* 4/2019 Decker ..... A47C 17/213

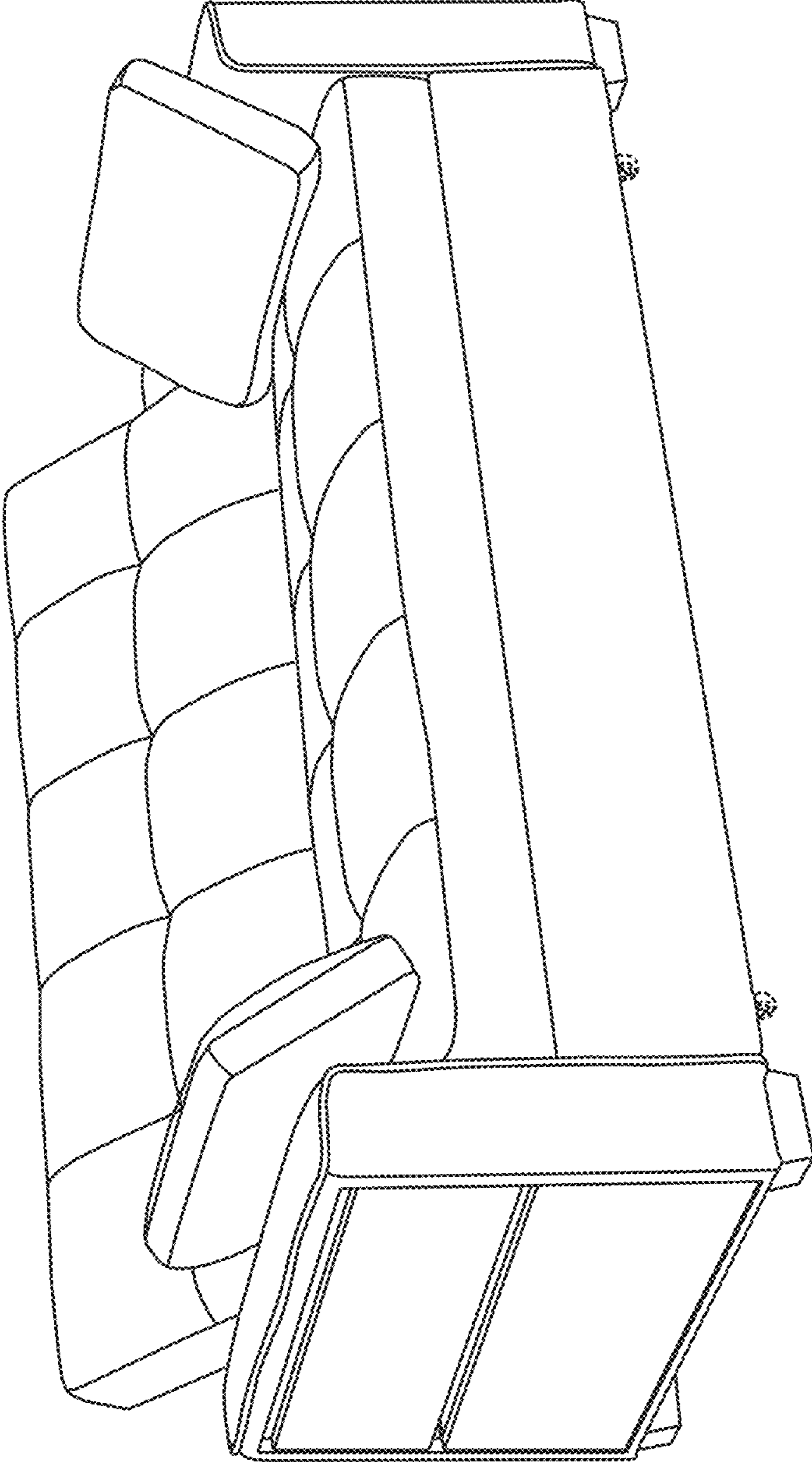
\* cited by examiner



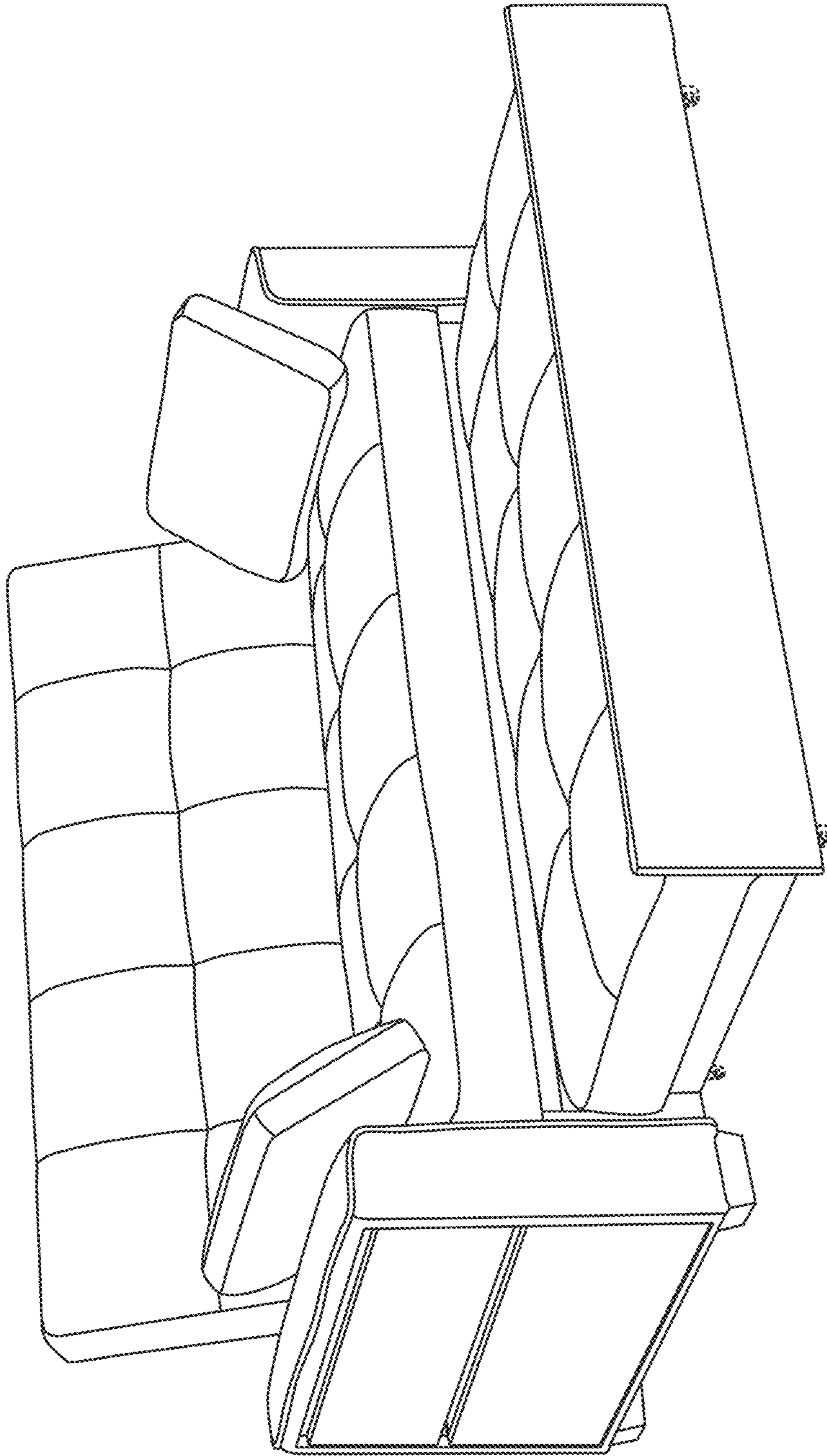
**FIG. 1**



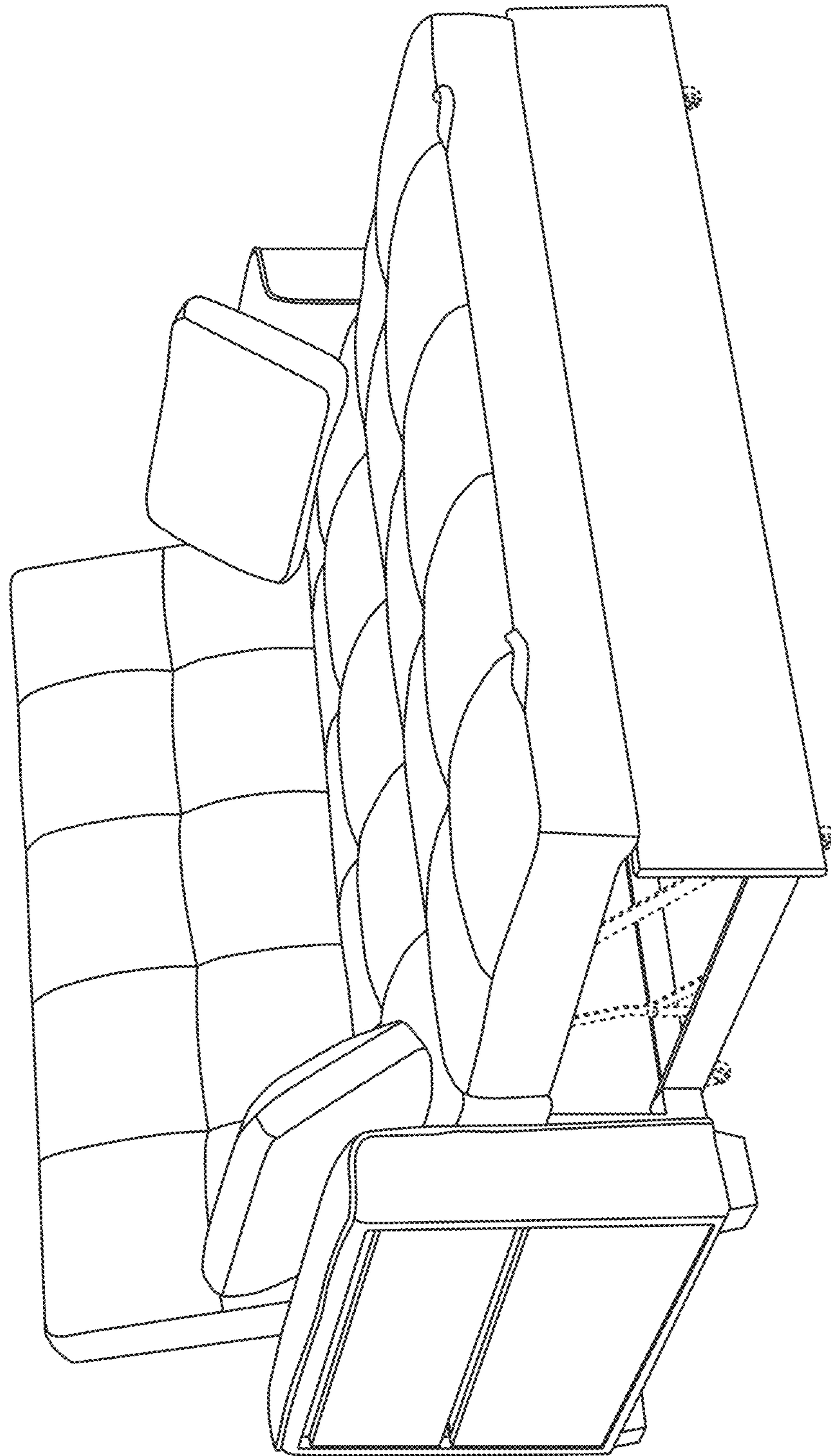
**FIG. 2**



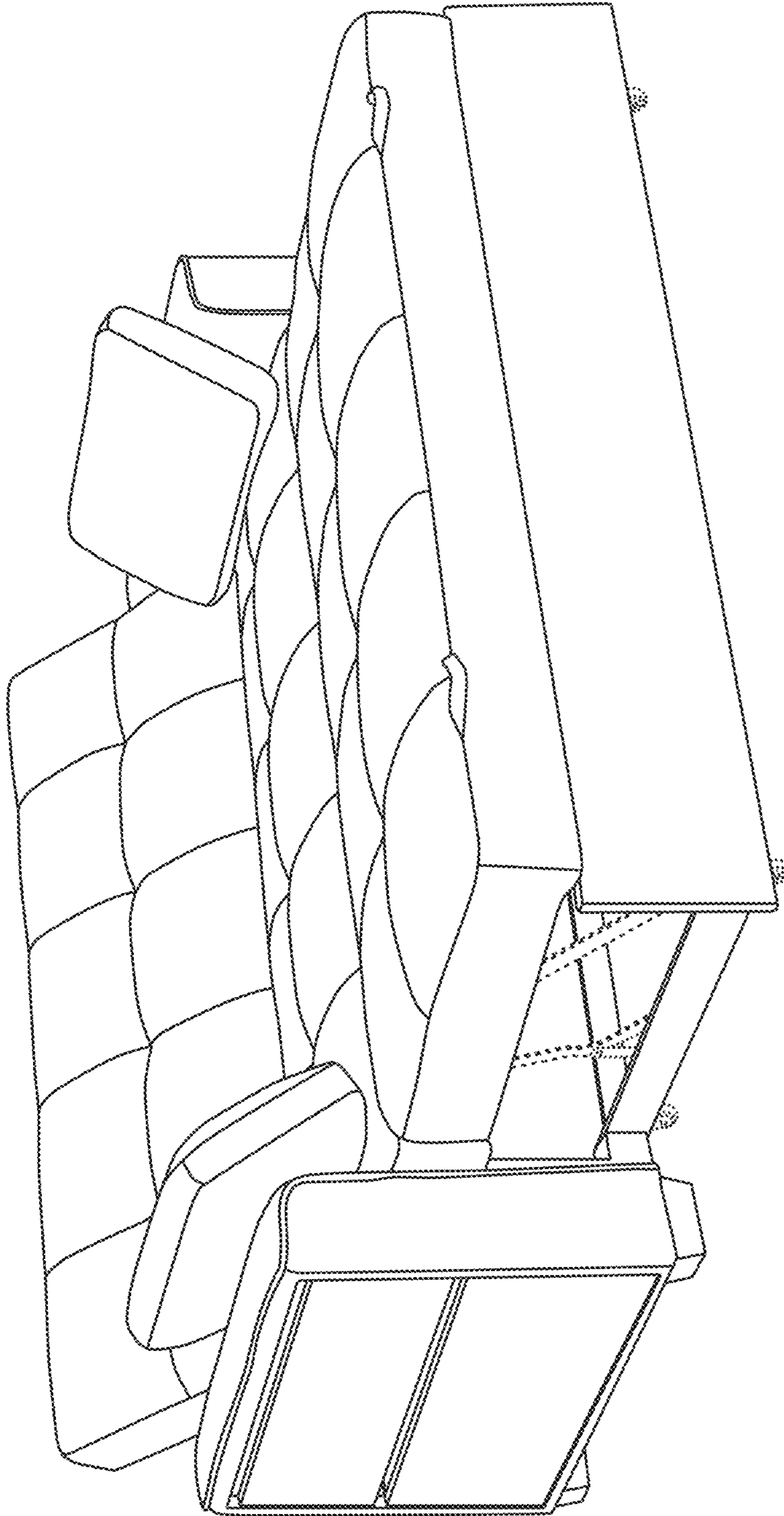
**FIG. 3**



**FIG. 4**

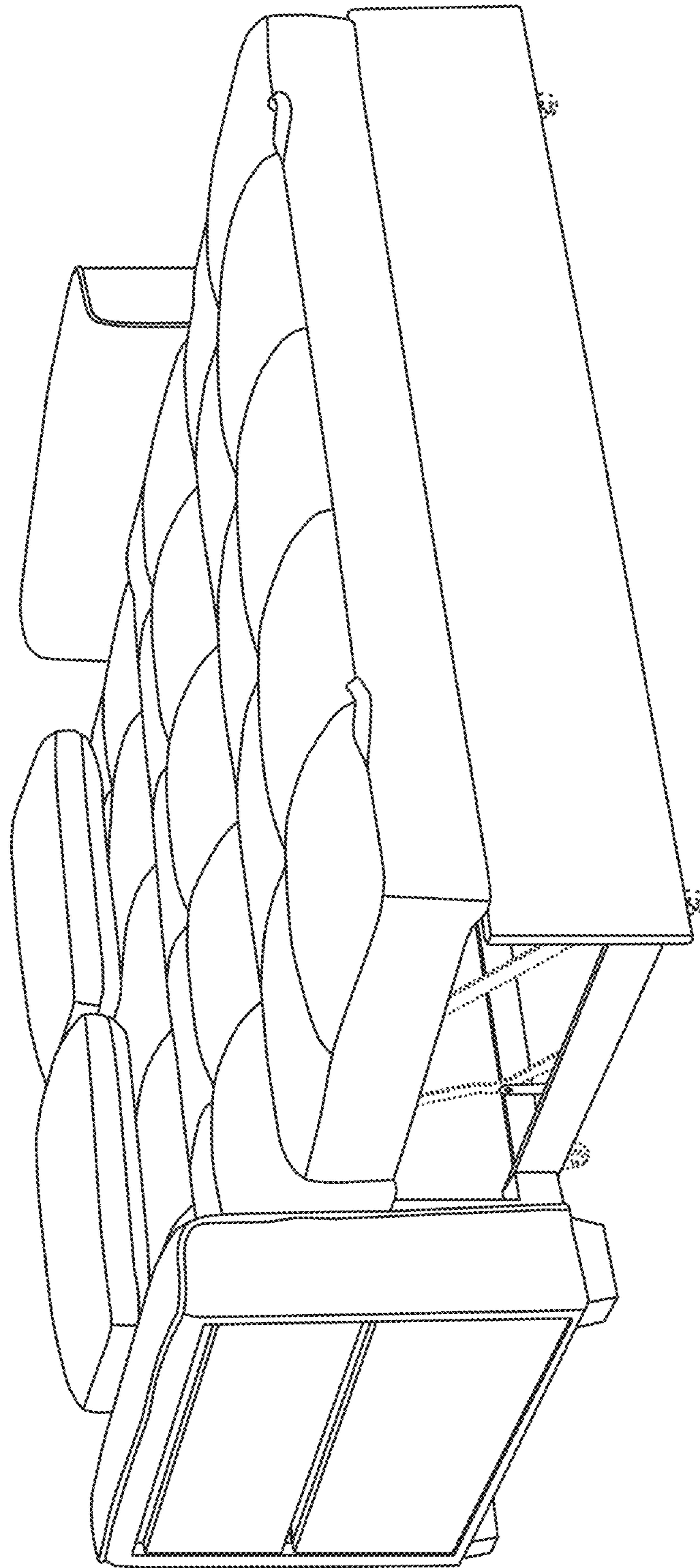


**FIG. 5**

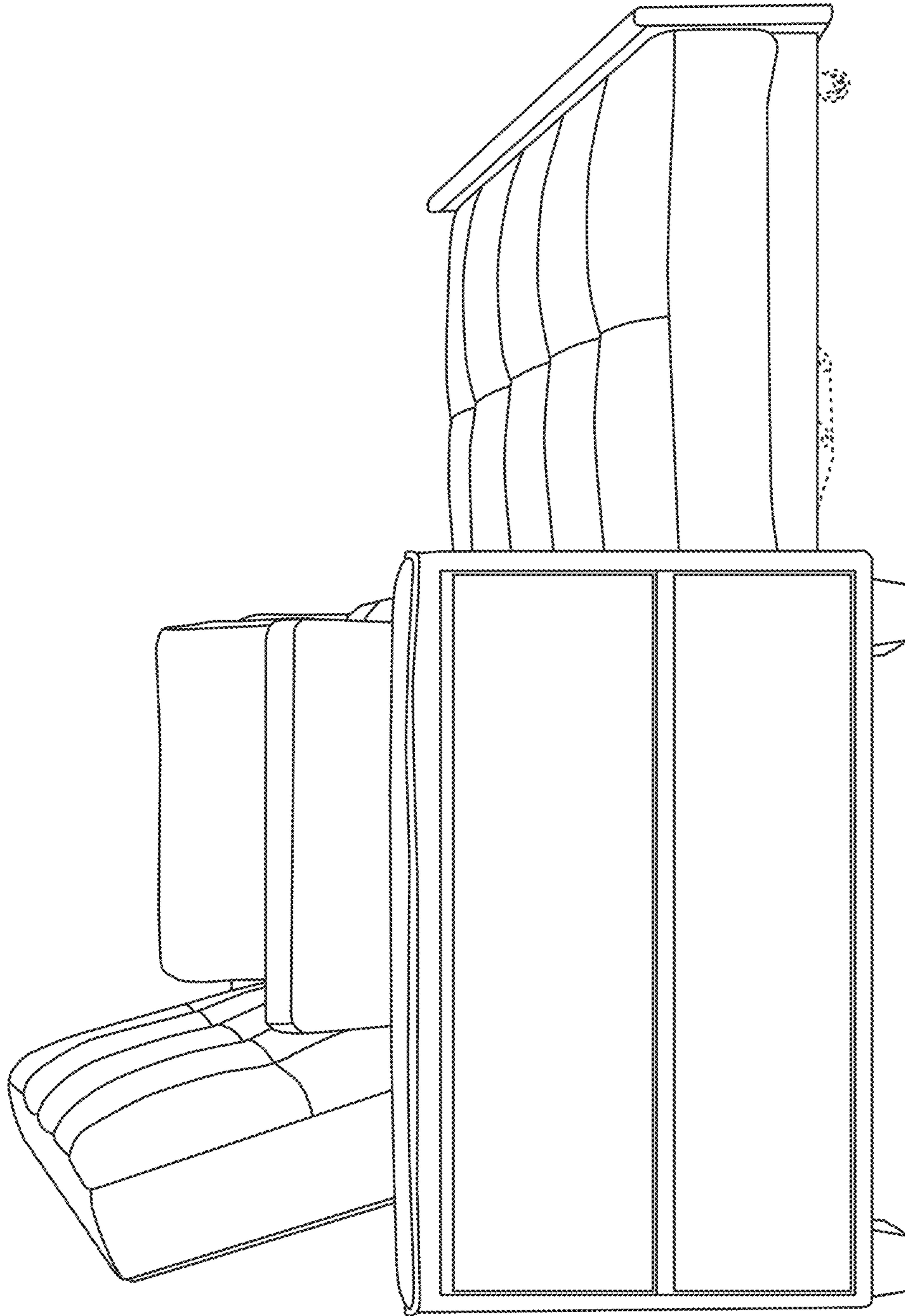


**FIG. 6**

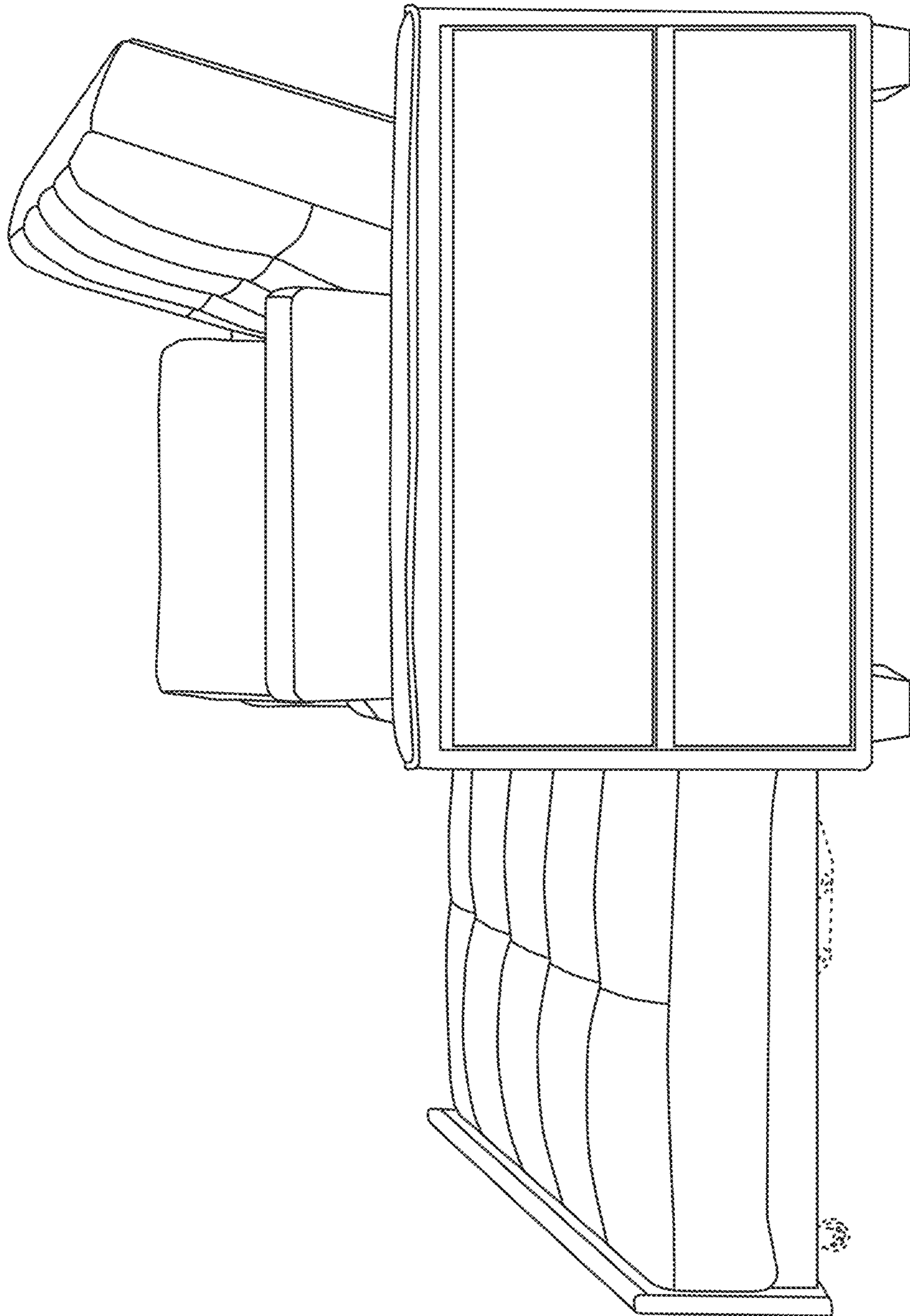




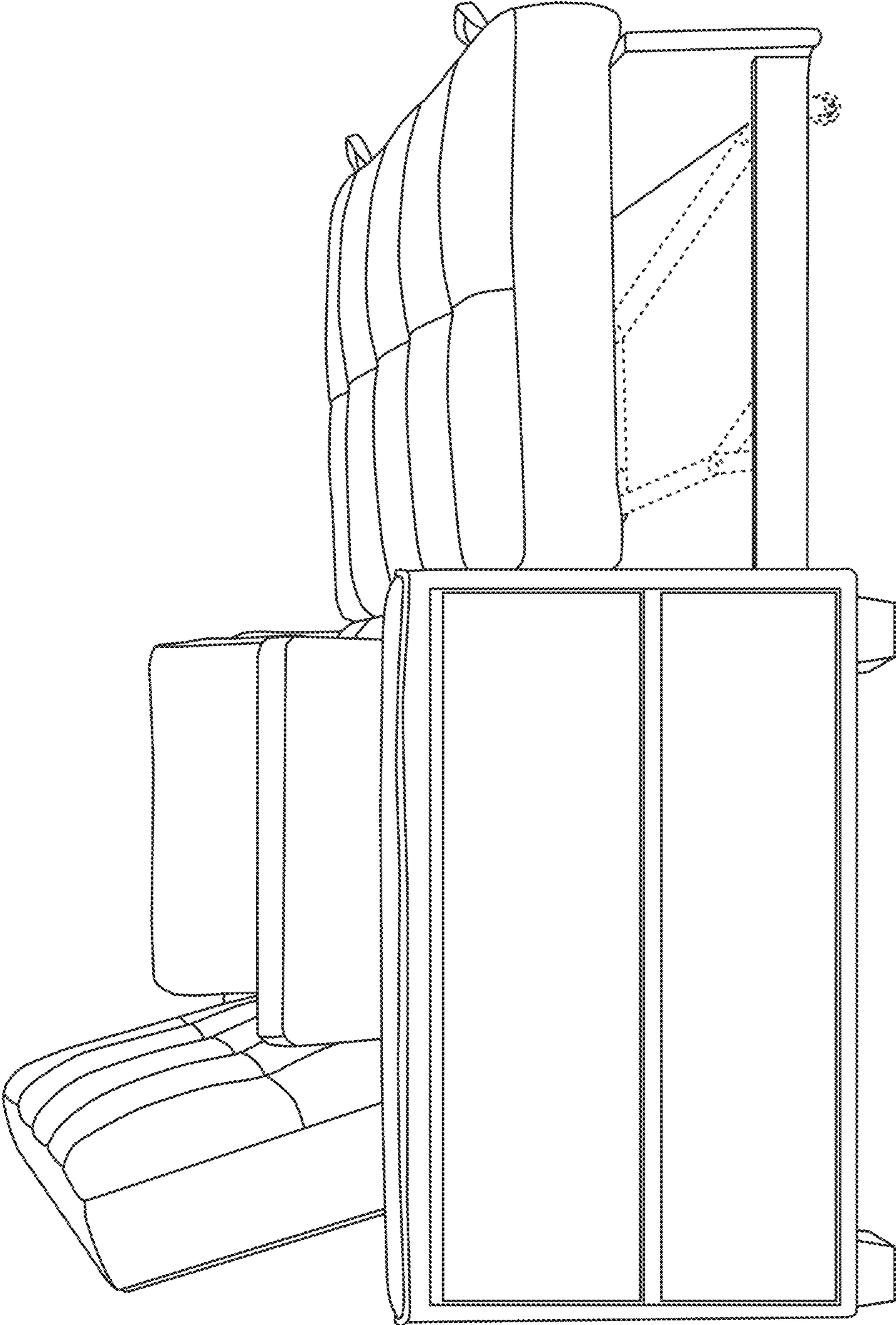
**FIG. 7**



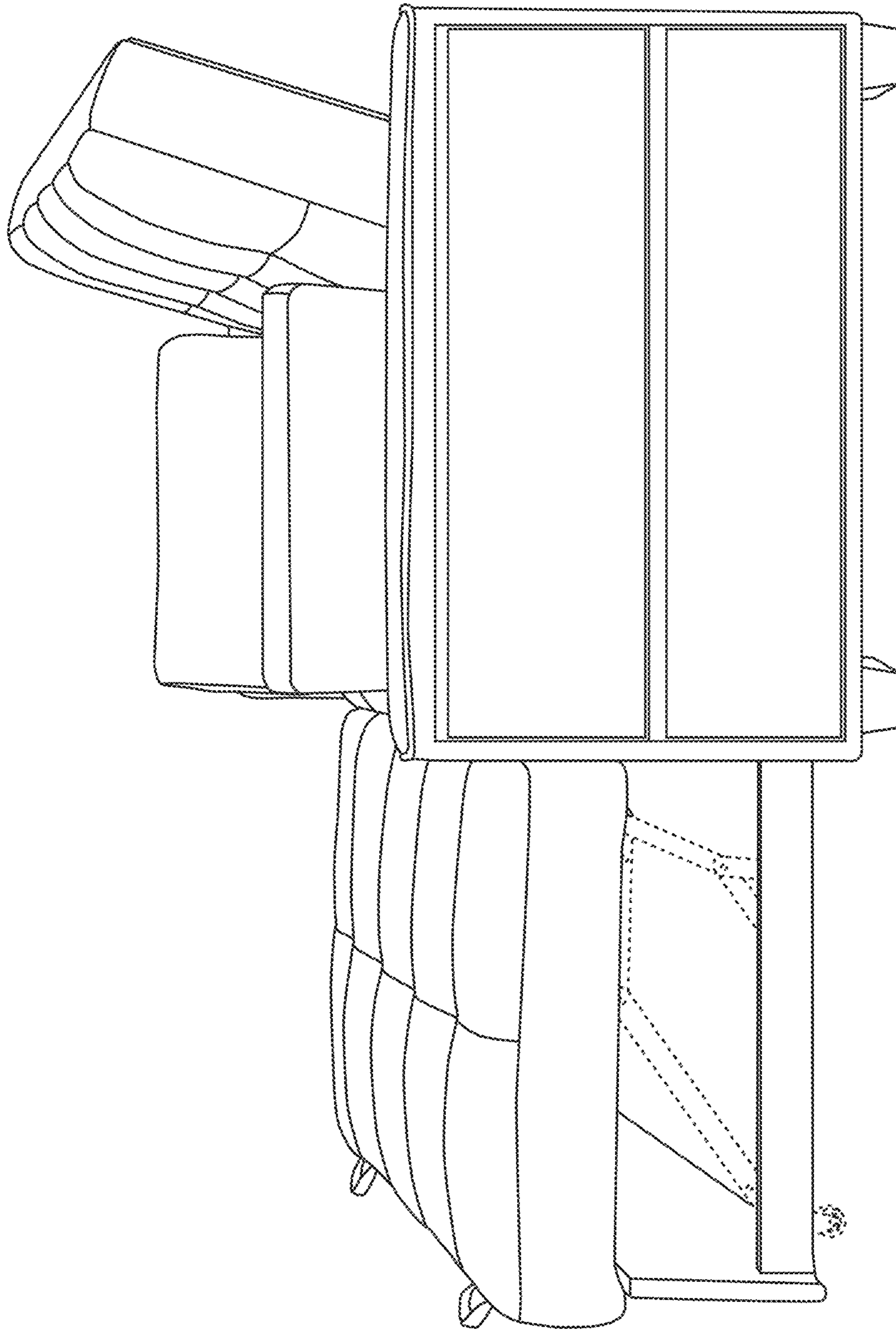
**FIG. 8**



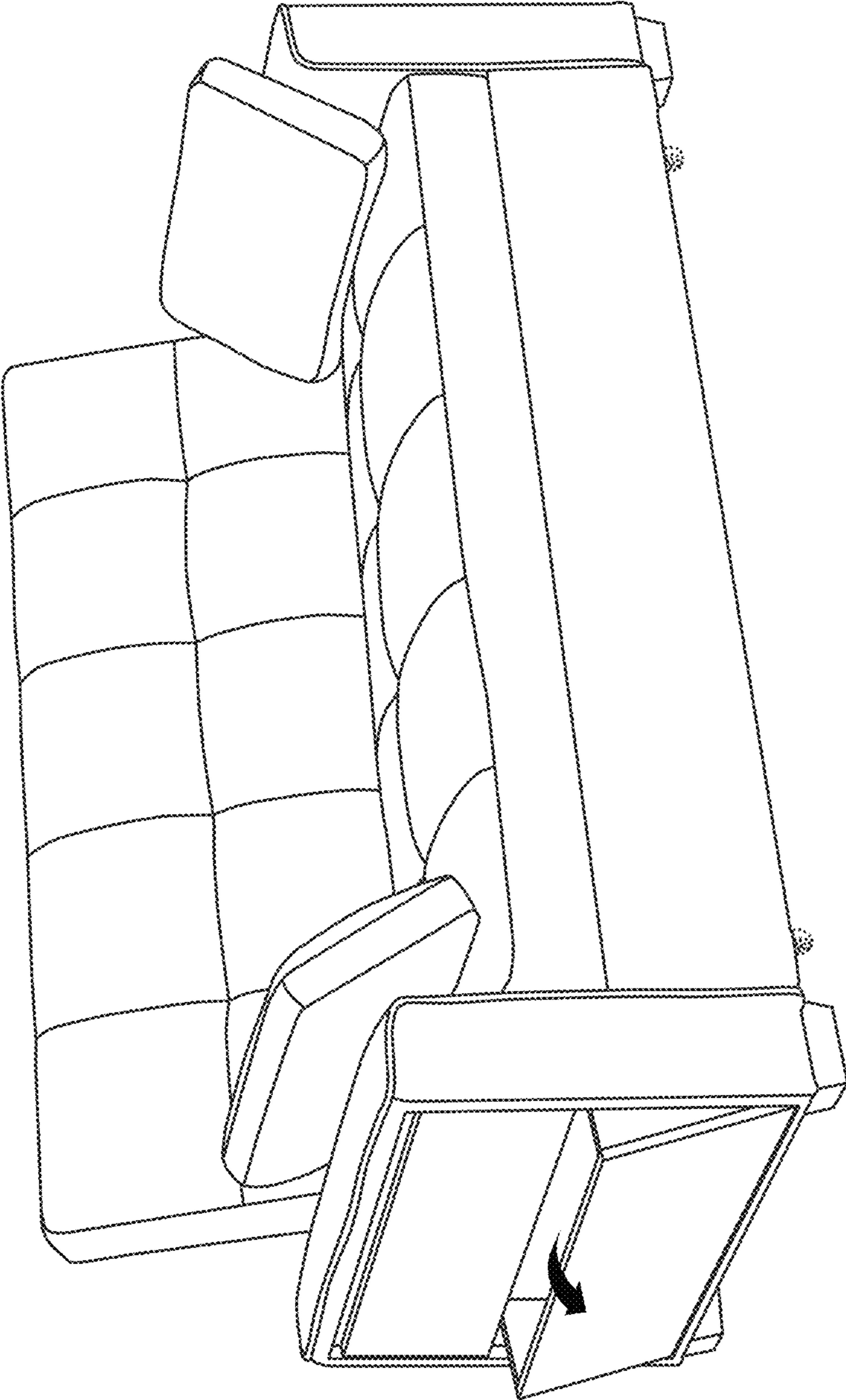
**FIG. 9**



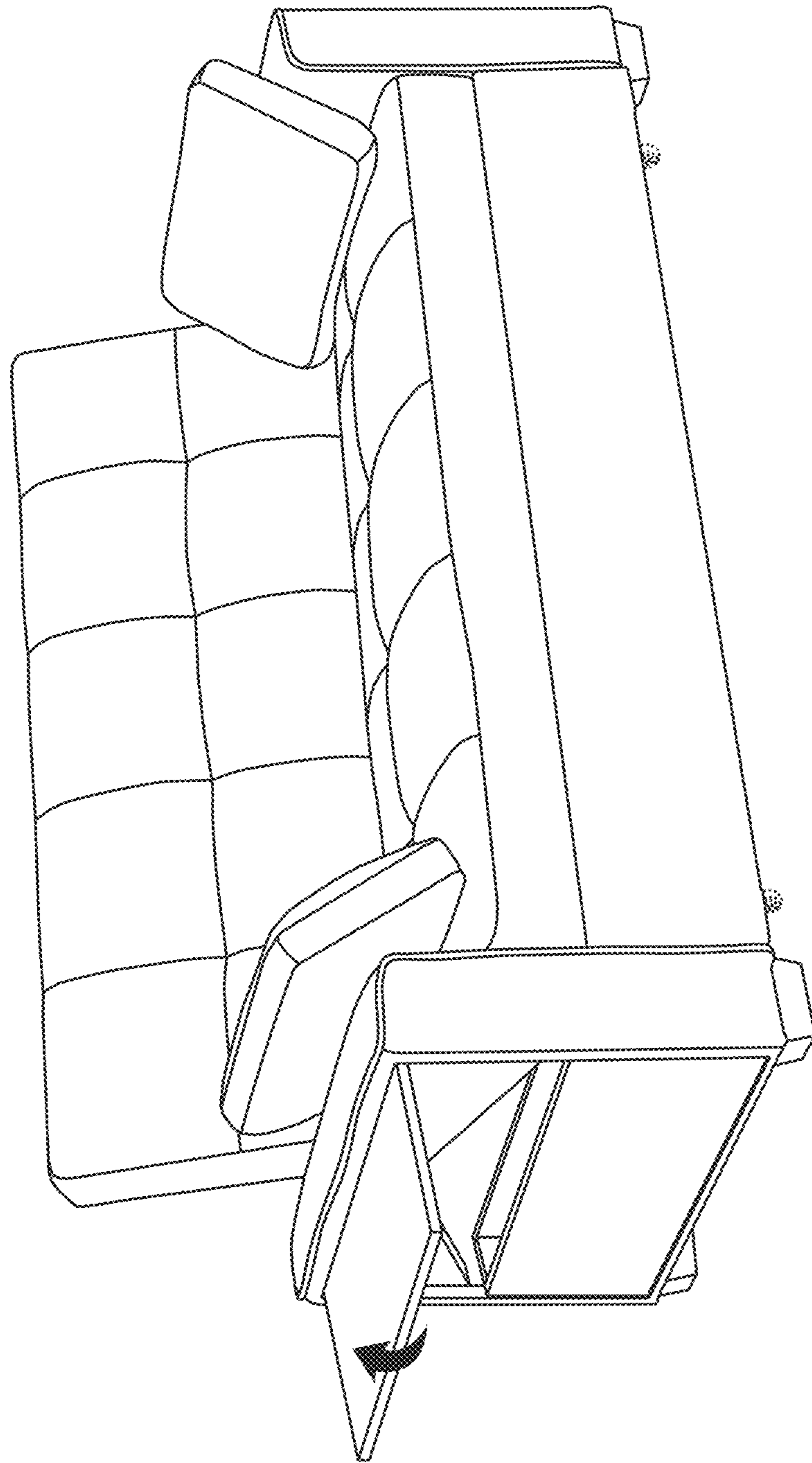
**FIG. 10**



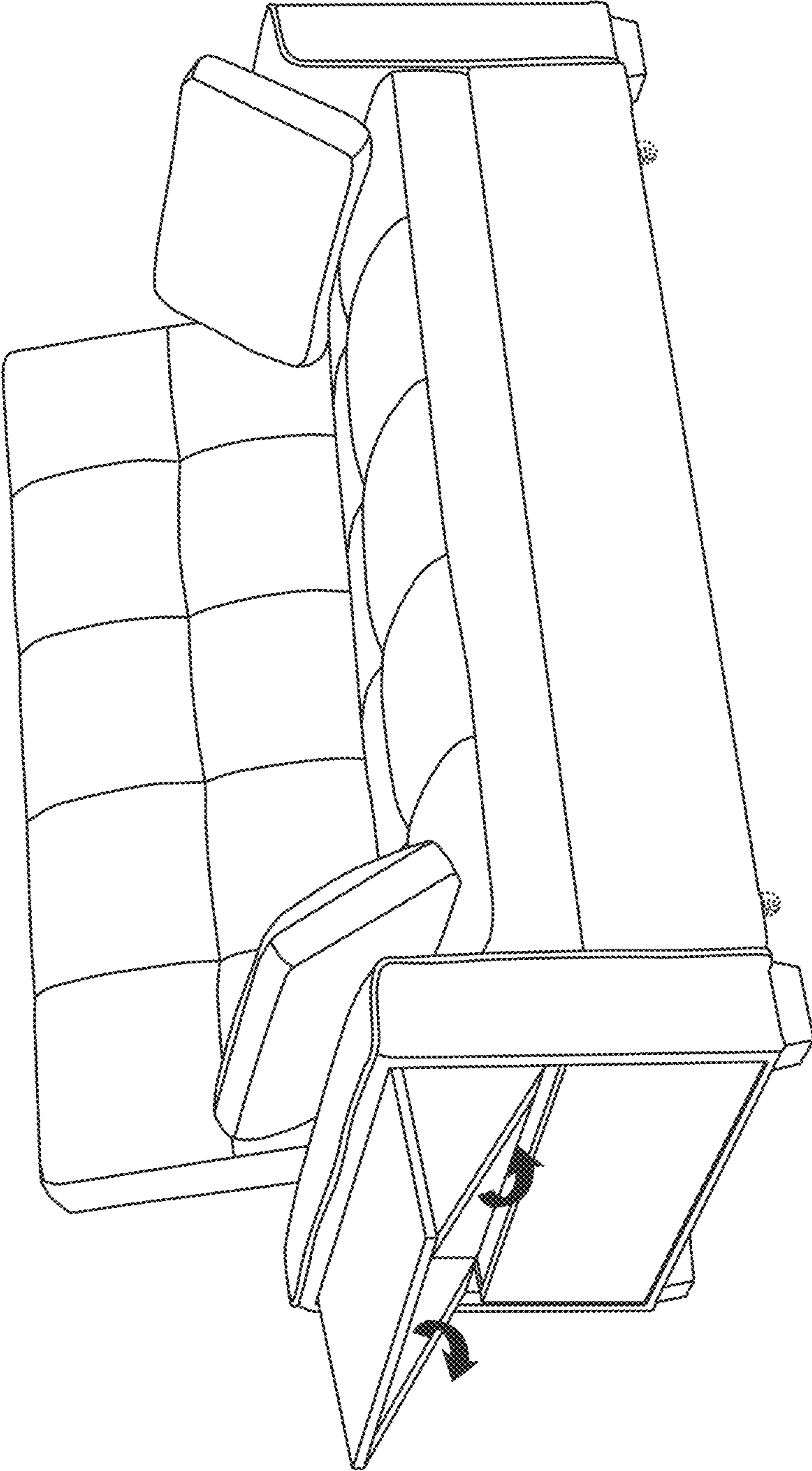
**FIG. 11**



**FIG. 12**



**FIG. 13**



**FIG. 14**