



US00D915084S

(12) **United States Design Patent** (10) **Patent No.:** **US D915,084 S**  
**Choi** (45) **Date of Patent:** **\*\* Apr. 6, 2021**

(54) **LIGHTED MIRROR**

FOREIGN PATENT DOCUMENTS

(71) Applicant: **Impressions Vanity Company**, Tustin, CA (US)

EM 004005114-0014 \* 5/2017  
EM 004005114-0015 \* 5/2017

(72) Inventor: **Dong Kevin Choi**, Tustin, CA (US)

OTHER PUBLICATIONS

(73) Assignee: **Impressions Vanity Company**, Tustin, CA (US)

Hauschen Home 48x36 inch LED Lighted Vanity Bathroom Mirror, announced 2018 [online], [site visited Jul. 14, 2020], Available from internet, URL: <https://www.amazon.com/HAUSCHEN-HOME-Bathroom-Waterproof-Horizontal/dp/B08151WLB3/ref=pd\_di\_v2\_sccai\_2/135-3762475-6377124?\_enc%E2%80%A6=undefined&th=1> (Year: 2018).\*

(\*\*) Term: **15 Years**

(21) Appl. No.: **29/685,538**

(Continued)

(22) Filed: **Mar. 28, 2019**

Primary Examiner — Cynthia Ramirez

(51) **LOC (13) Cl.** ..... **06-07**

Assistant Examiner — Xavier Marti-Santos

(52) **U.S. Cl.**

(74) *Attorney, Agent, or Firm* — Ansari Katiraei LLP; Arman Katiraei; Sadiq Ansari

USPC ..... **D6/308**

(58) **Field of Classification Search**

USPC ..... D6/300, 301, 302, 303, 304, 307, 308, D6/309, 310, 311, 312, 313, 314; D10/15, 21, 24; D14/336, 341, 371, 372, D14/374, 381, 382, 448, 450; D20/10, D20/27

(57) **CLAIM**

CPC ..... A47G 1/0616; A47G 1/142; A47G 2001/0694; A47G 1/06; A47G 1/0605; A47G 1/0633; A47G 1/0638; A47G 1/0644; A47G 1/08; A47G 1/10; A47G 1/14; A47G 1/141; A47G 1/16; A47G 1/1606; A47G 1/1613; A47G 2001/0661; A47G 2001/0672; A47G 2001/0688; A47G

I claim the ornamental design for a lighted mirror, as shown and described.

**DESCRIPTION**

(Continued)

FIG. 1 is a front view of a lighted mirror, showing a first embodiment of my new design;  
FIG. 2 is a back view thereof;  
FIG. 3 is a right side view thereof;  
FIG. 4 is a front view of a lighted mirror, showing a second embodiment of my new design;  
FIG. 5 is a back view of the second embodiment;  
FIG. 6 is a right side view of the second embodiment;  
FIG. 7 is a front view of a lighted mirror, showing a third embodiment of my new design;  
FIG. 8 is a back view of the third embodiment;  
FIG. 9 is a right side view of the third embodiment;  
FIG. 10 is a front view of a lighted mirror, showing a fourth embodiment of my new design;  
FIG. 11 is a back view of the fourth embodiment; and,  
FIG. 12 is a right side view of the fourth embodiment.

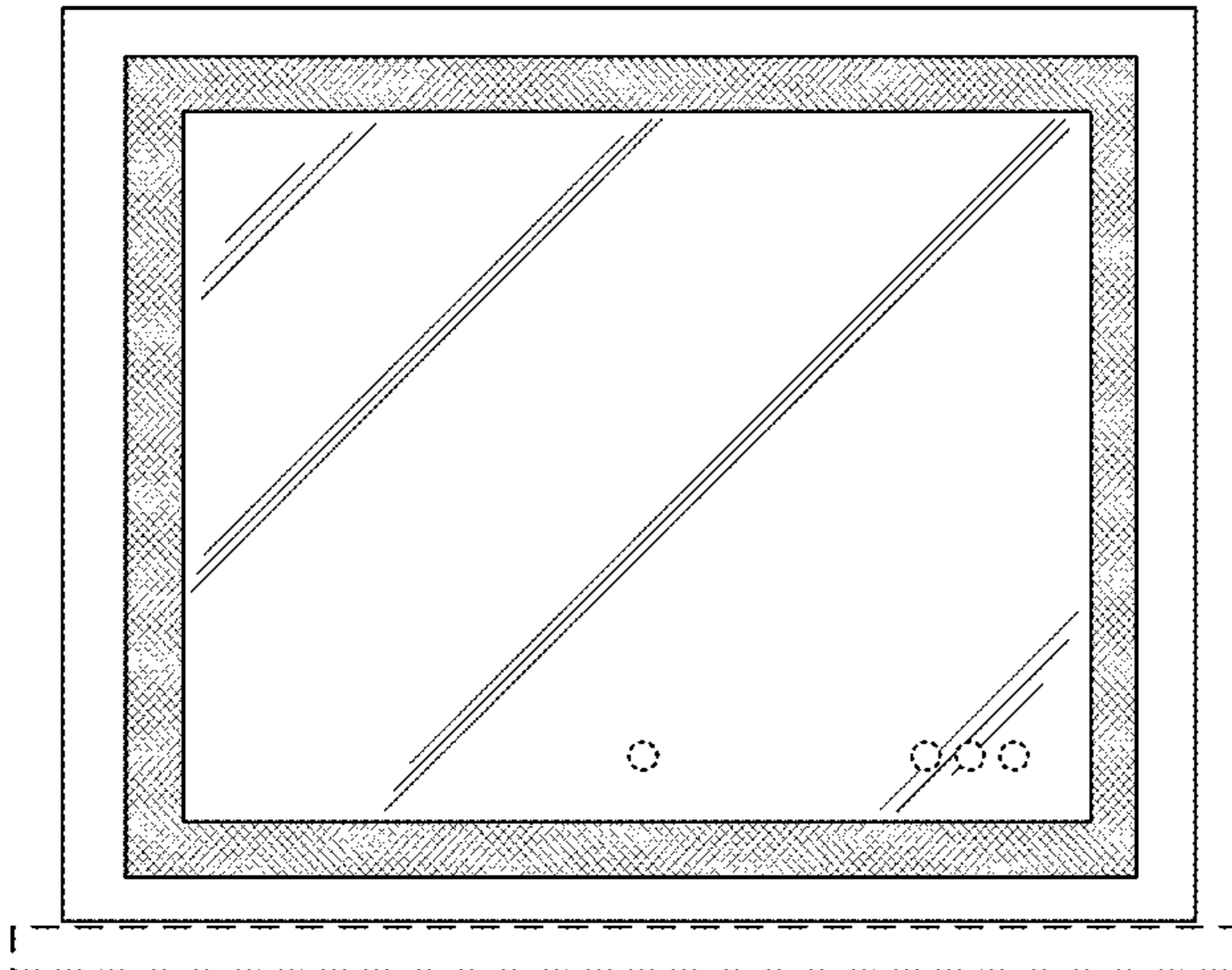
(56) **References Cited**

U.S. PATENT DOCUMENTS

D254,643 S \* 4/1980 Ashenfarb ..... D6/308  
D346,965 S \* 5/1994 Wolff ..... D10/1  
D433,573 S \* 11/2000 Rochon ..... D6/308

(Continued)

(Continued)



The broken lines in the figures are for the purpose of illustrating portions of the lighted mirror, which form no part of the claimed design.

1 Claim, 12 Drawing Sheets

(58) Field of Classification Search

CPC ..... 2001/148; A47G 1/00; A47G 1/02; G06F 1/1654

See application file for complete search history.

(56)

References Cited

U.S. PATENT DOCUMENTS

D446,027	S	*	8/2001	LeFevre	.....	D6/300
D497,485	S	*	10/2004	Resultan	.....	D6/300
D628,173	S	*	11/2010	Chien	.....	D14/126
D636,188	S	*	4/2011	Kim	.....	D6/308
D642,385	S	*	8/2011	Lee	.....	D6/308
D651,812	S	*	1/2012	Lee	.....	D6/300

D661,124	S	*	6/2012	Curbbun	.....	D6/675
RE43,634	E	*	9/2012	Mischel, Jr.	.....	D6/308
D669,691	S	*	10/2012	Blaser	.....	D6/300
10,258,174	B2	*	4/2019	Huerta	.....	A47G 1/02
2020/0337172	A1	*	10/2020	Wei	.....	A47G 1/06

OTHER PUBLICATIONS

Santo 48 in. W x 30 in. H Frameless Single Bathroom Mirror [online], [site visited Jul. 14, 2020], Available from internet, URL:<<https://www.homedepot.com/p/Fresca-Santo-48-in-W-x-30-in-H-Frameless-Single-Bathroom-Mirror-with-LED-Lighting-and-Mirror-Defogger-FMR024830/305271607>> (Year: 2018).\*

Reflexon 32x40 inch Bathroom Vanity Mirror [online], [site visited Jul. 14, 2020], Available from internet, URL:<[https://www.amazon.com/dp/B07TQRYG4V/ref=sspa\\_dk\\_detail\\_5?pd\\_rd\\_i=&th=1](https://www.amazon.com/dp/B07TQRYG4V/ref=sspa_dk_detail_5?pd_rd_i=&th=1)> (Year: 2019).\*

Varden Modern Frameless Lighted Bathroom Mirror [online], [site visited Jul. 14, 2020]. Available from internet, URL:<<https://www.wayfair.com/decor-pillows/pdp/orren-ellis-var-den-modern-frameless-lighted-bathroom-mirror-w002812668.html>> (Year: 2020).\*

\* cited by examiner

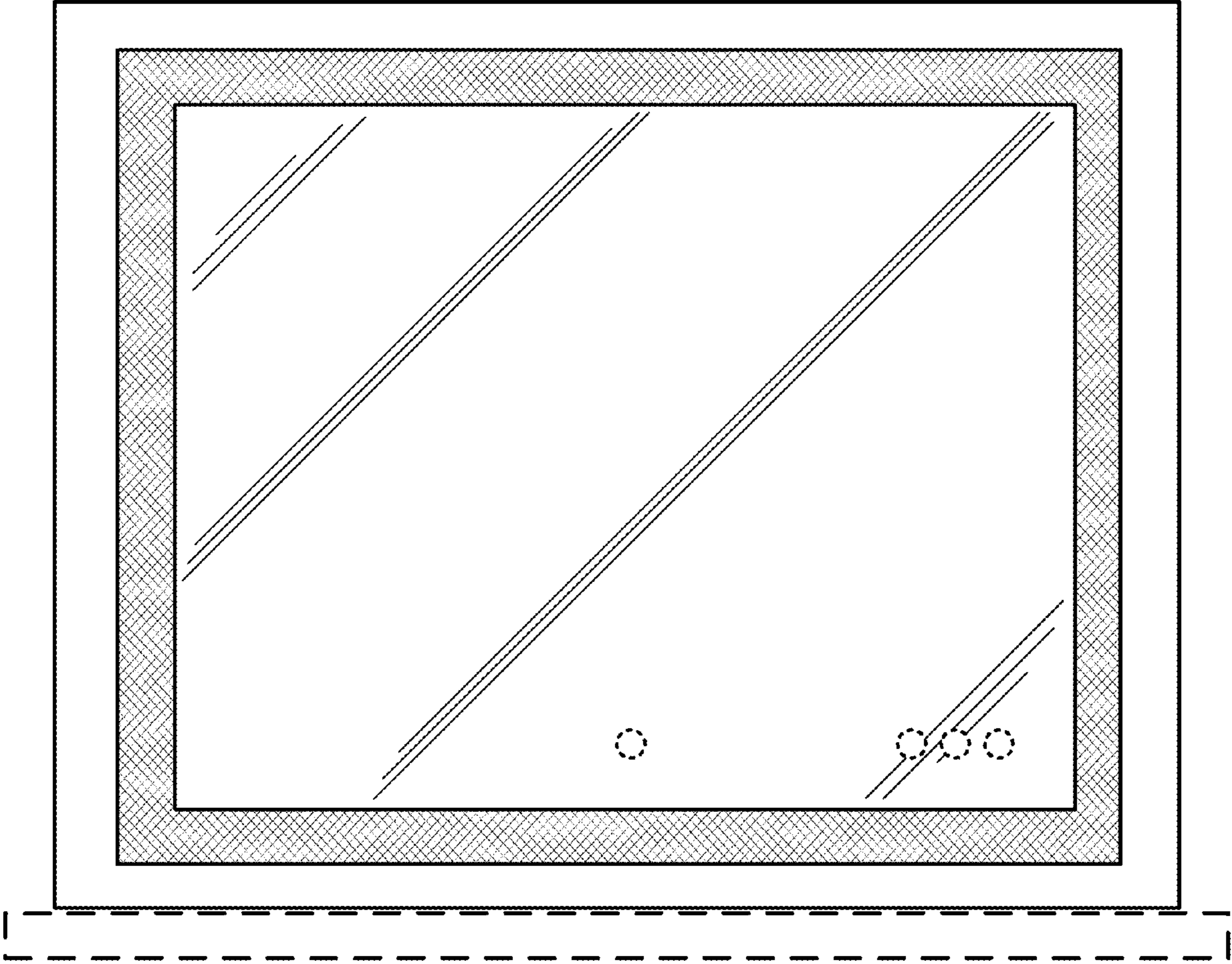
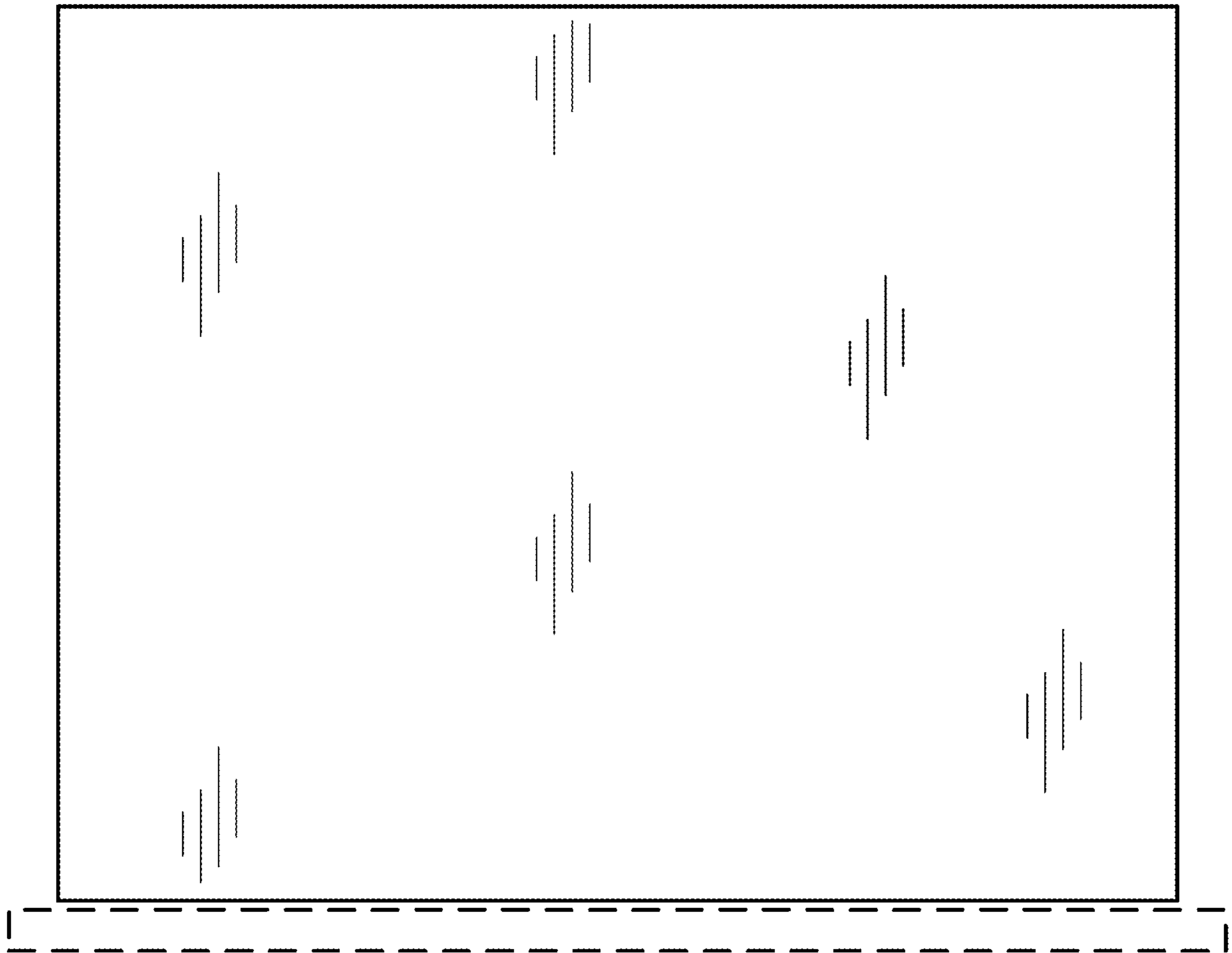
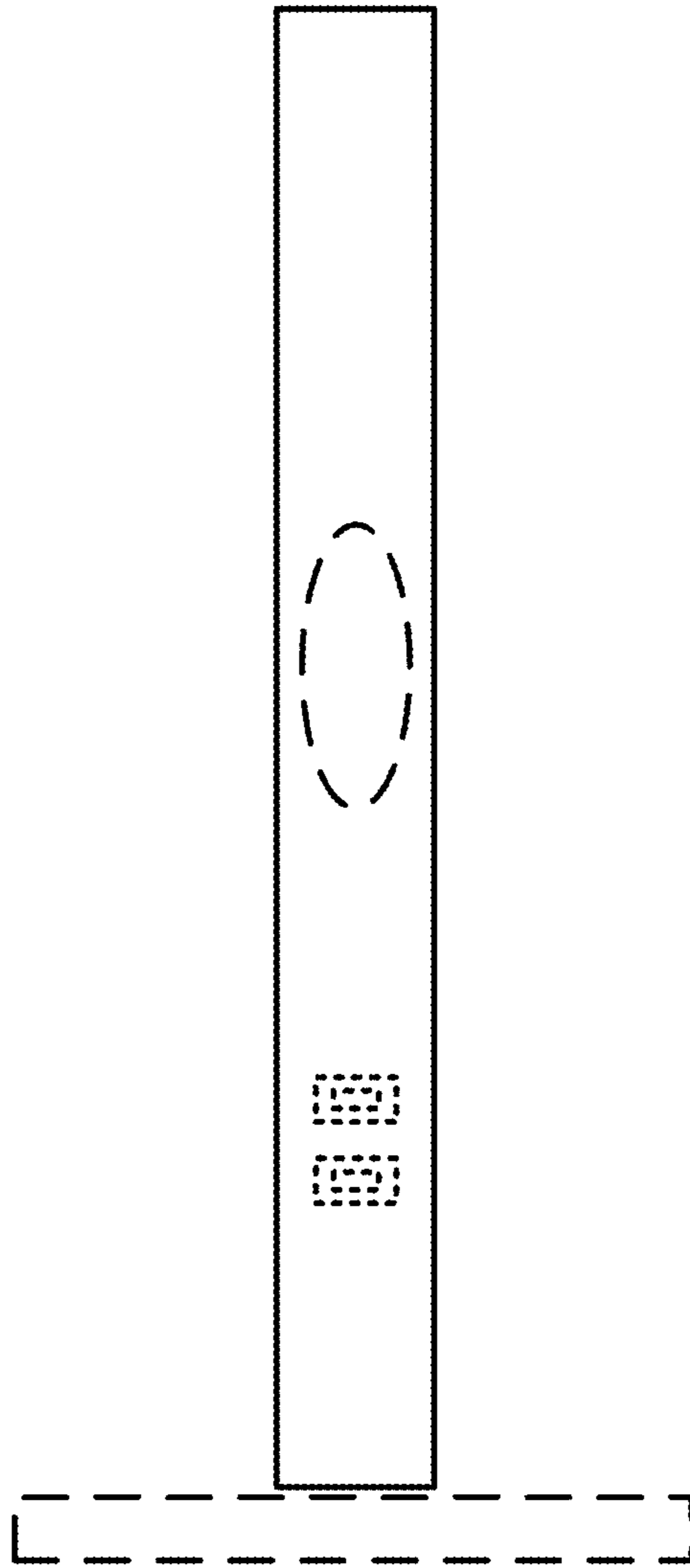


FIG. 1





**FIG. 2**



**FIG. 3**

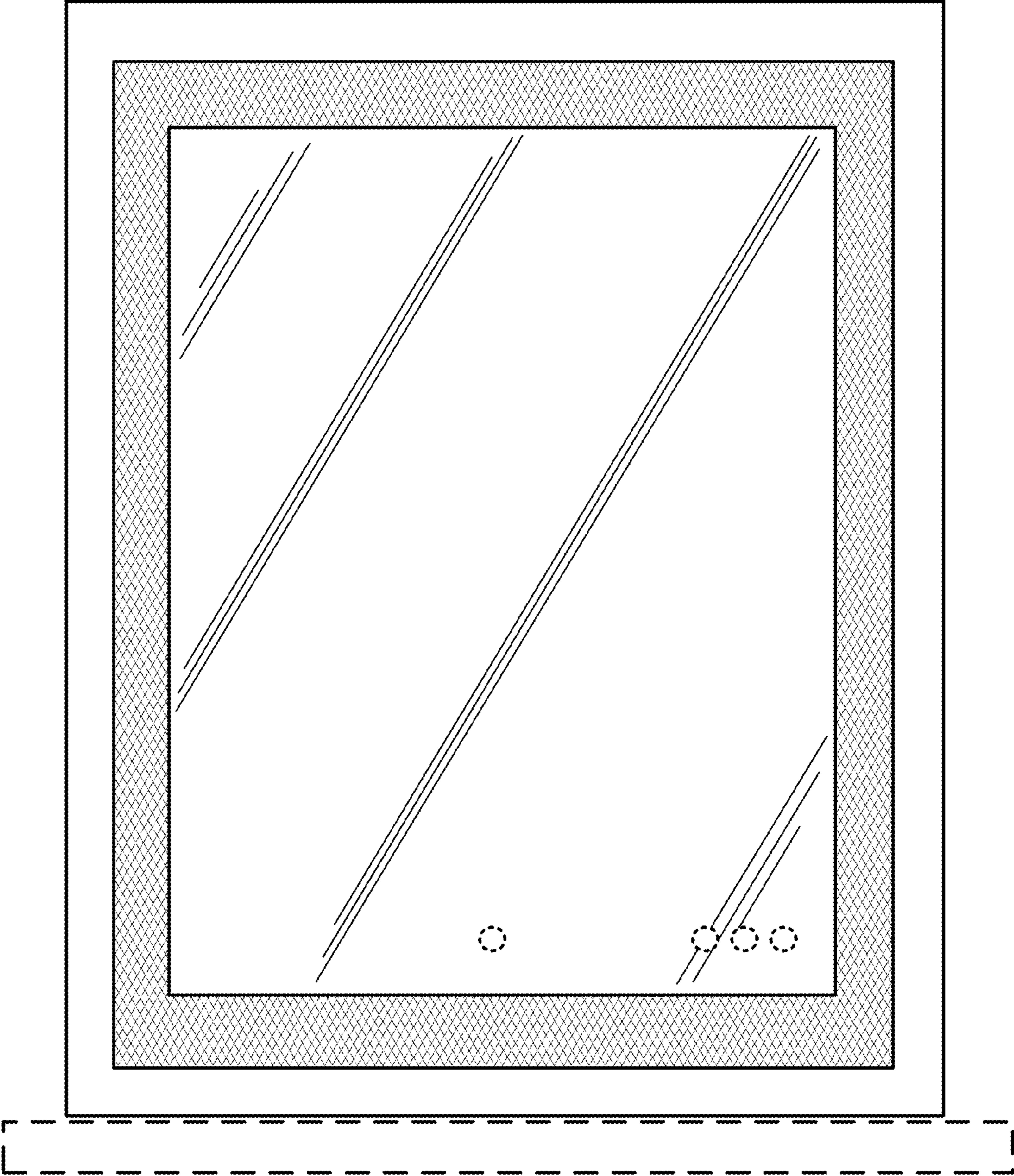
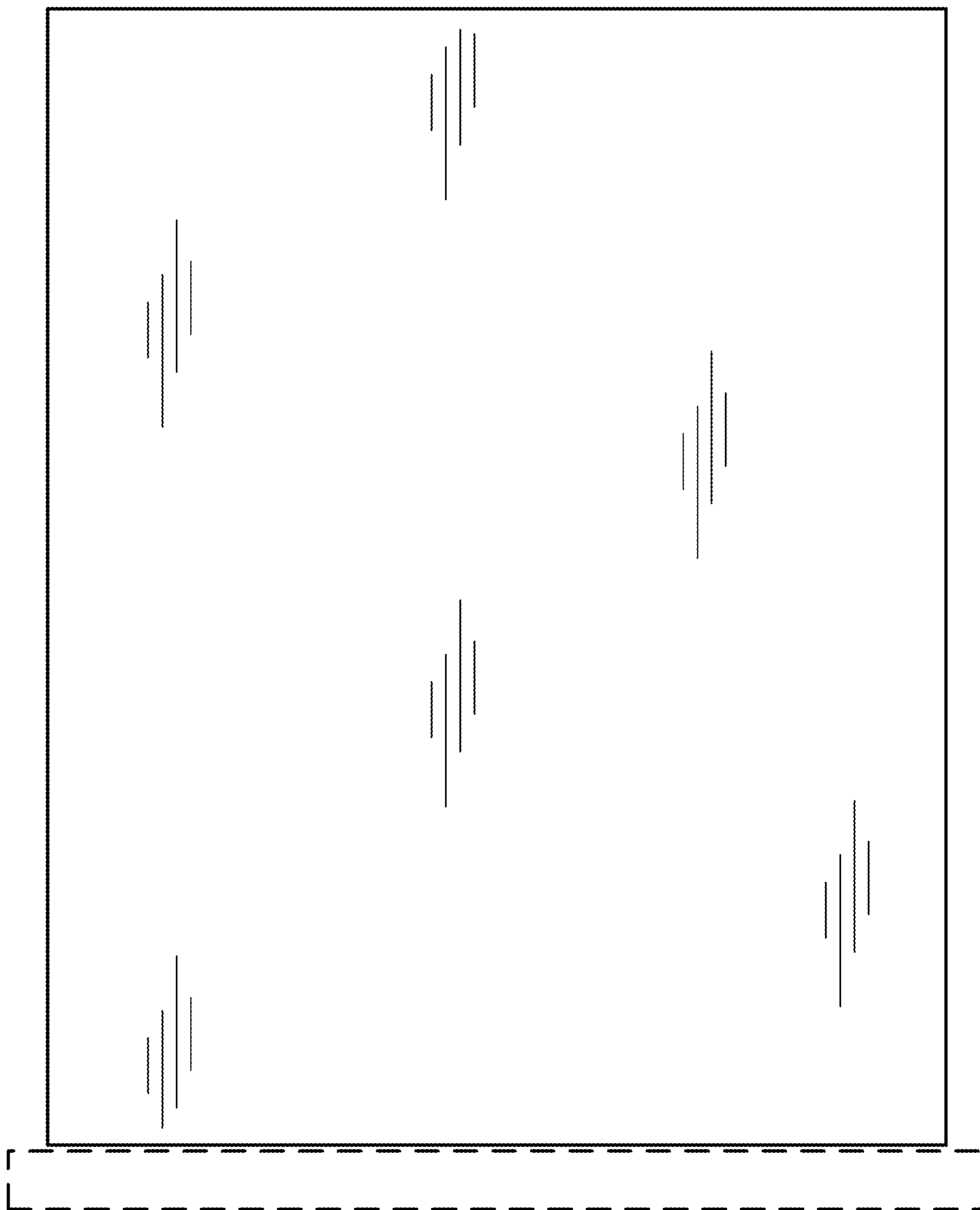
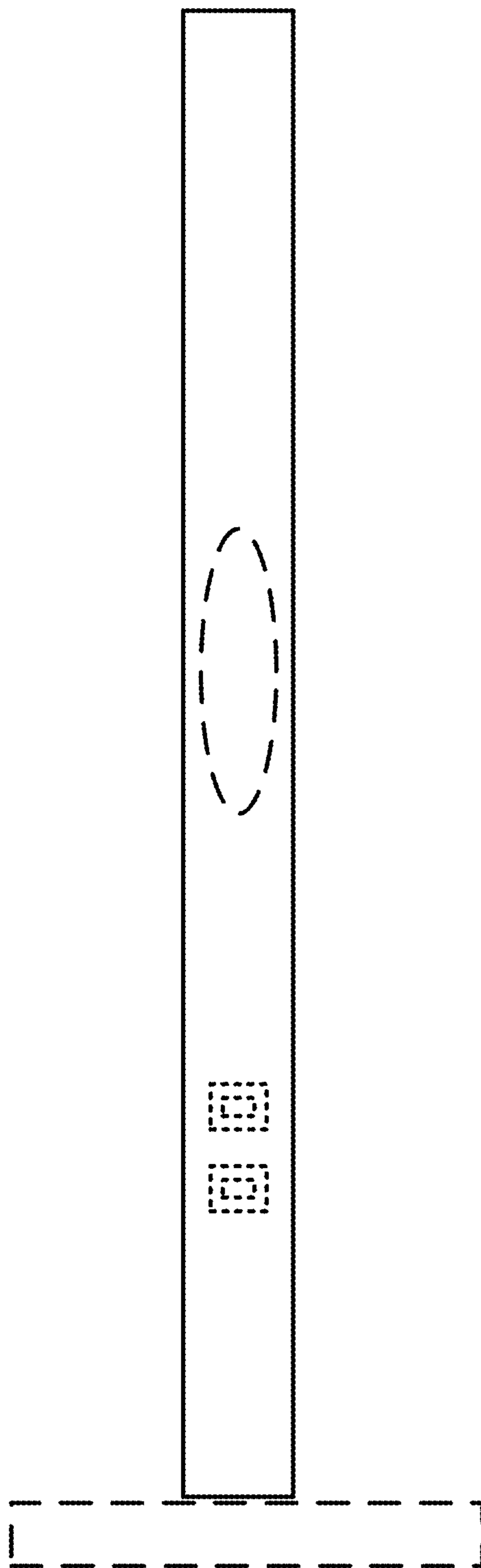


FIG. 4



**FIG. 5**



**FIG. 6**



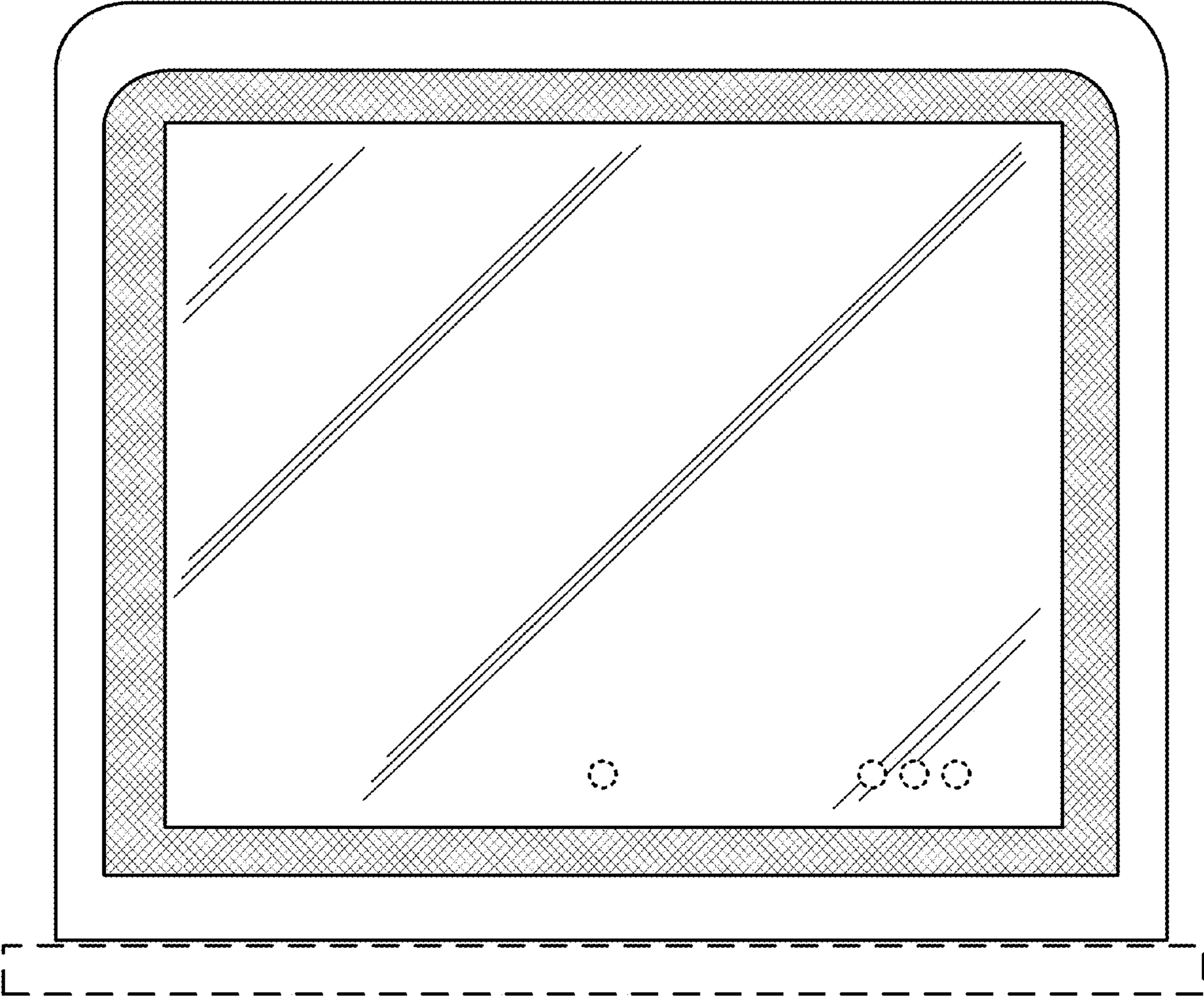
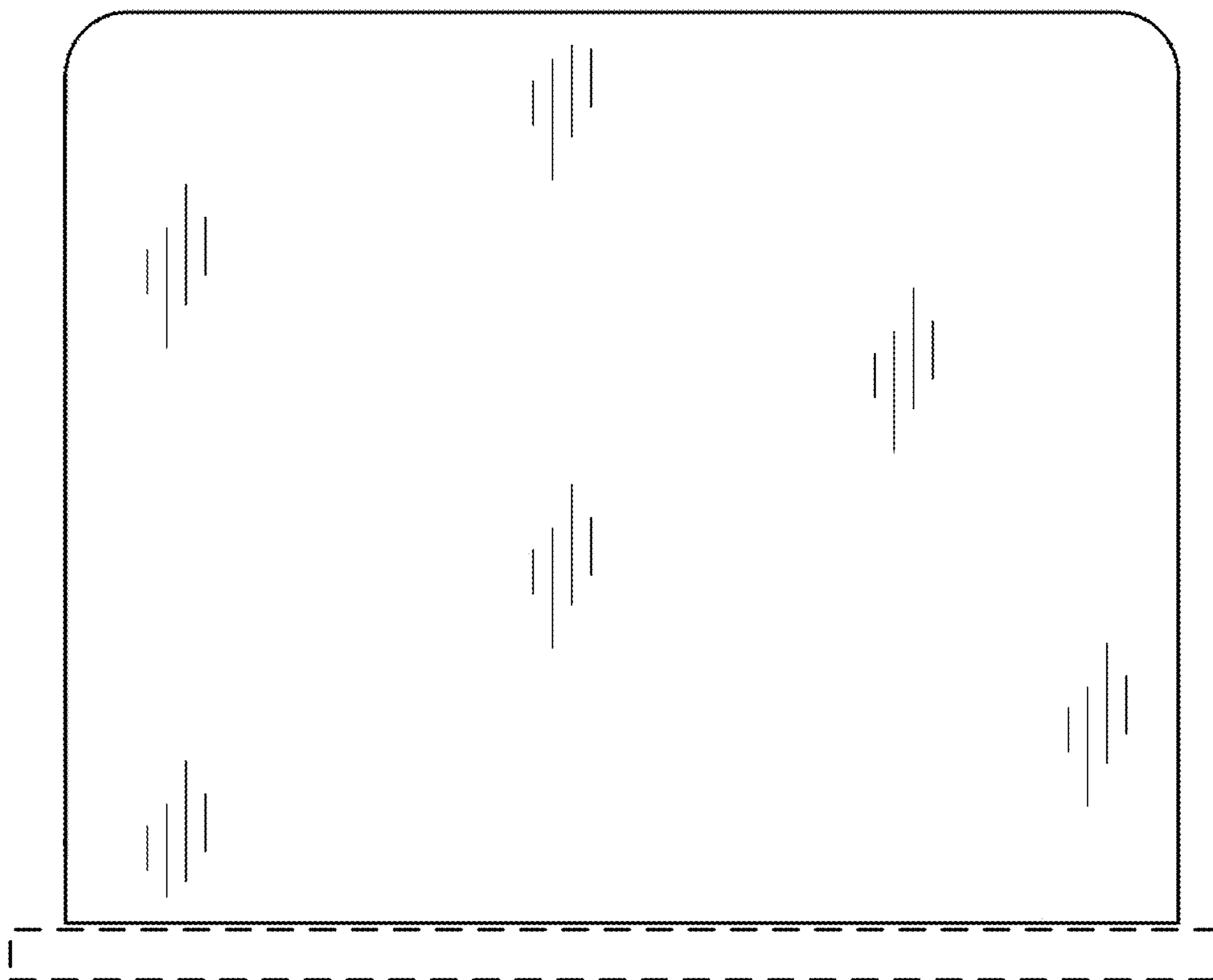
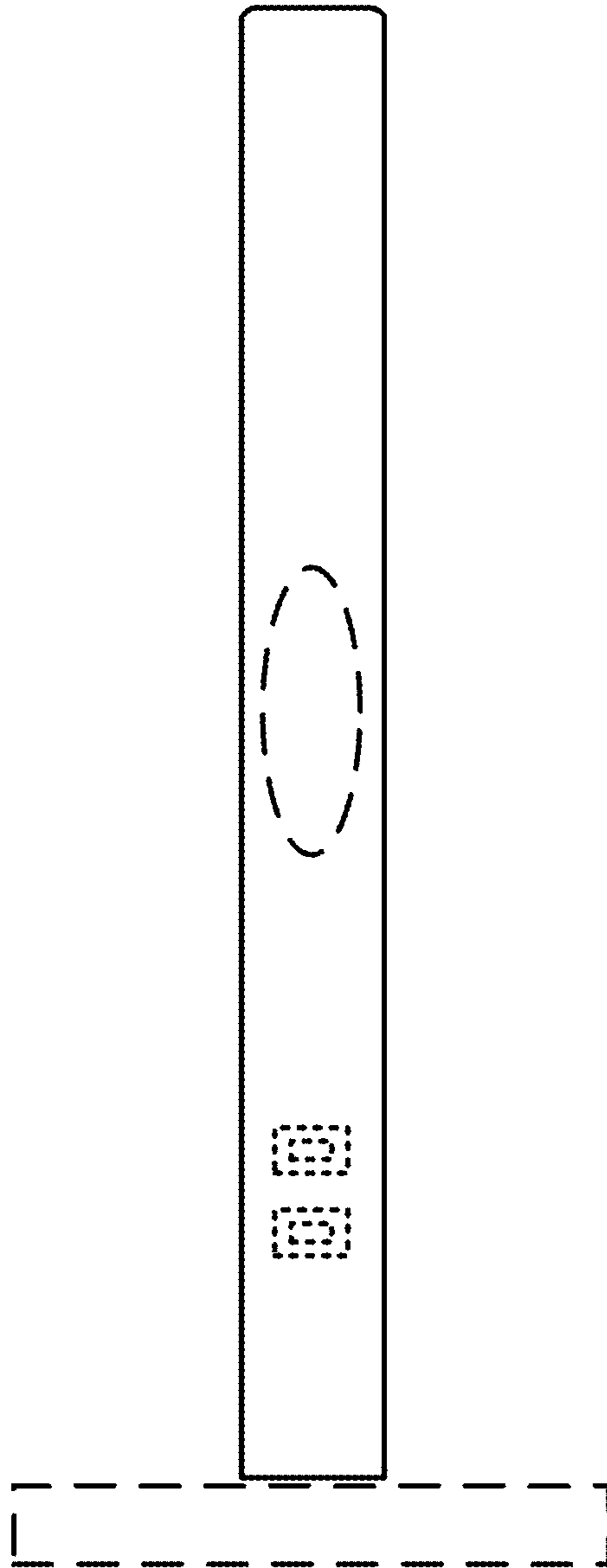


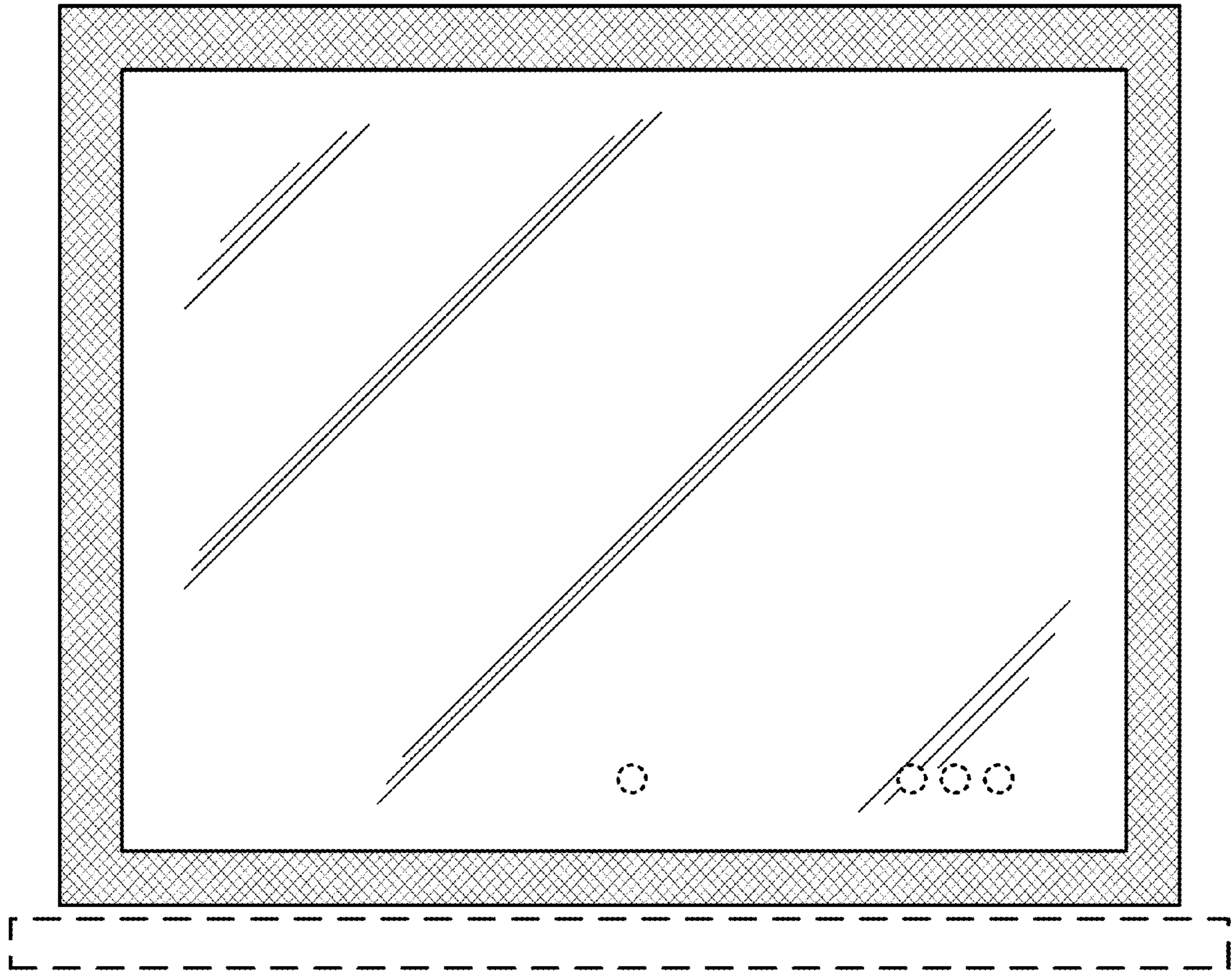
FIG. 7



**FIG. 8**



**FIG. 9**

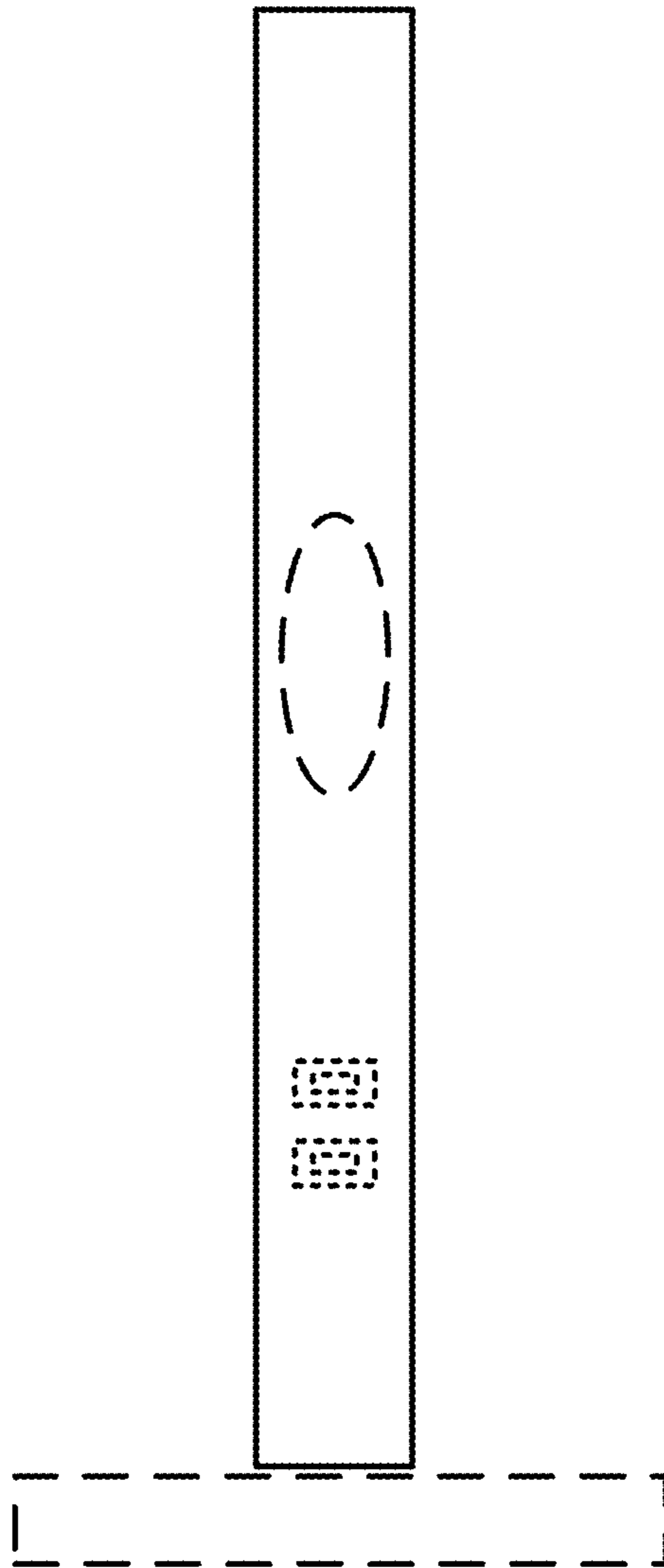


**FIG. 10**





**FIG. 11**



**FIG. 12**