

US00D915078S

(12) **United States Design Patent** (10) **Patent No.:** **US D915,078 S**  
**Tang** (45) **Date of Patent:** **\*\* Apr. 6, 2021**

(54) **BRUSH**  
(71) Applicant: **Shenzhen Jinyuan Huitong Trading Co., Ltd.**, Guangdong (CN)  
(72) Inventor: **Li Tang**, Guangdong (CN)  
(73) Assignee: **Shenzhen Jinyuan Huitong Trading Co., Ltd.**, Guangdong (CN)

D620,714 S \* 8/2010 Bona-Kustra ..... D4/130  
D699,903 S \* 2/2014 Singer ..... D30/159  
D746,062 S \* 12/2015 Pan ..... D4/127  
D756,121 S \* 5/2016 Gruber ..... D4/104  
D766,452 S \* 9/2016 Ho ..... D24/200  
D768,305 S \* 10/2016 Ho ..... D24/200  
D834,333 S 11/2018 Krus  
D874,834 S 2/2020 Zhang  
D893,170 S \* 8/2020 Lee ..... D3/218  
D897,688 S \* 10/2020 Li ..... D4/128

(\*\*) Term: **15 Years**

**FOREIGN PATENT DOCUMENTS**

(21) Appl. No.: **29/747,939**

CN 3540493 \* 7/2006  
CN 305084200 \* 3/2019  
KR 3020080000318 \* 3/2008

(22) Filed: **Aug. 26, 2020**

(51) **LOC (13) Cl.** ..... **04-02**

(52) **U.S. Cl.**

USPC ..... **D4/136**

(58) **Field of Classification Search**

USPC ..... D4/100, 102, 114, 115, 116, 117, 118,  
D4/119, 120, 121, 122, 123, 124, 125,  
D4/126, 127, 128, 129, 130, 131, 132,  
D4/133, 134, 135, 136, 137, 138, 199;  
D24/200, 214, 215; D28/7, 20, 28, 29,  
D28/58, 63, 99; D30/158, 159, 169

CPC .... A47K 7/00; A47K 7/02; A46B 2200/1006;  
A46B 2200/102; A61H 7/003

See application file for complete search history.

**OTHER PUBLICATIONS**

Wellgler's Hair Scalp Massager . . . [on-line], [Original publication date unknown.] [Retrieved from the Internet Feb. 13, 2021.] See printed copy for full URL. (Year: 2021).\*

\* cited by examiner

*Primary Examiner* — Karen E Eldridge Powers  
(74) *Attorney, Agent, or Firm* — ScienBiziP, P.C.

(57) **CLAIM**

The ornamental design for a brush, as shown and described.

(56) **References Cited**

**U.S. PATENT DOCUMENTS**

1,722,706 A \* 7/1929 Richardson ..... A61H 7/003  
601/154  
3,055,040 A \* 9/1962 Schermerhorn ..... A61H 7/003  
401/42  
3,368,554 A \* 2/1968 Shao Hwa ..... A61H 7/003  
601/137  
D333,730 S \* 3/1993 Martin ..... D30/158  
D356,685 S \* 3/1995 Bertwell ..... D4/125  
6,793,434 B1 \* 9/2004 Olson ..... A46B 5/04  
15/144.1  
D512,582 S \* 12/2005 Scholze ..... D7/392.1

**DESCRIPTION**

FIG. 1 is a top perspective view of a brush, showing my design.

FIG. 2 is a bottom perspective view thereof.

FIG. 3 is a front elevation view thereof.

FIG. 4 is a rear elevation view thereof.

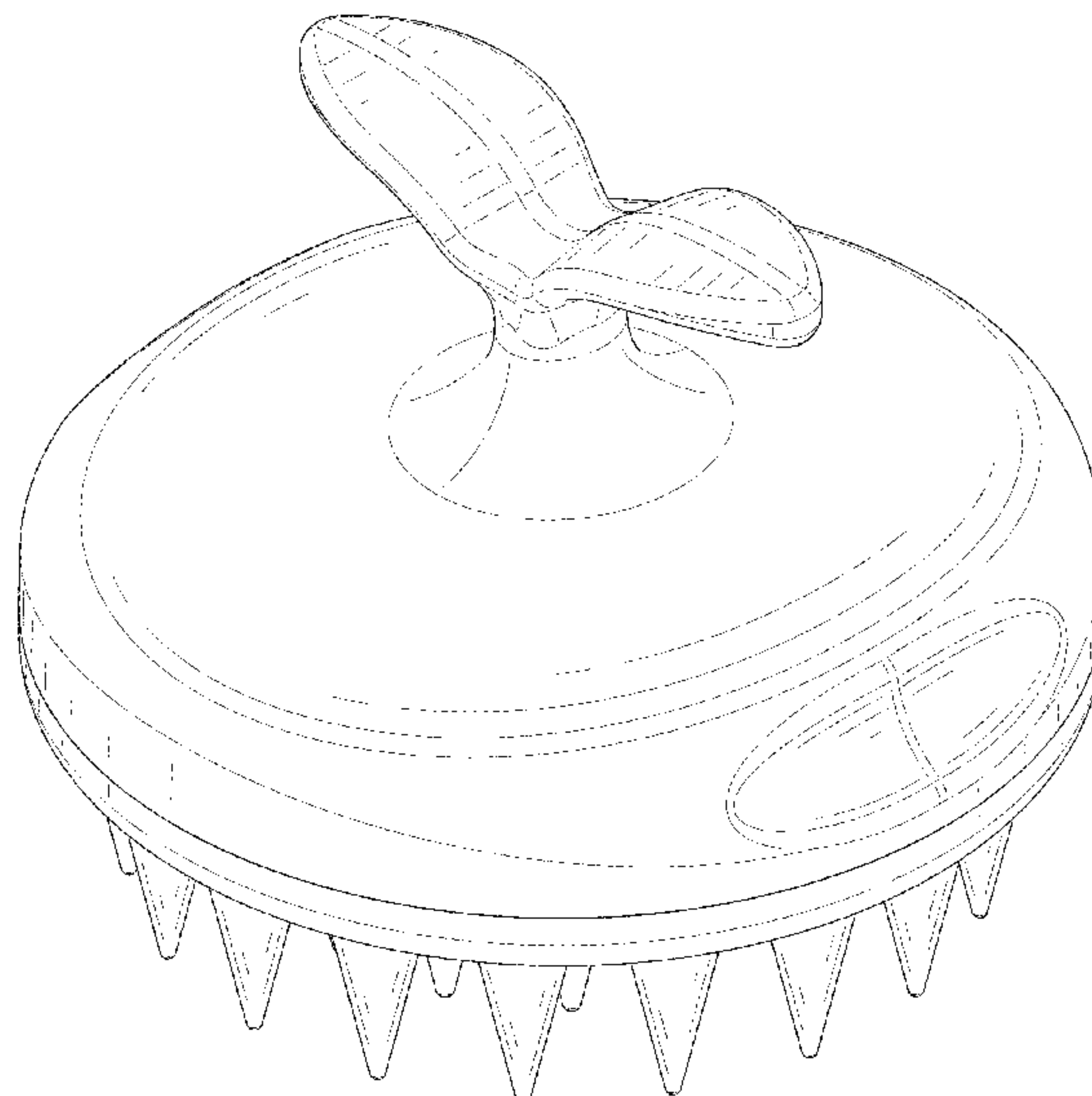
FIG. 5 is a left side elevation view thereof.

FIG. 6 is a right side elevation view thereof.

FIG. 7 is a top plan view thereof; and,

FIG. 8 is a bottom plan view thereof.

**1 Claim, 8 Drawing Sheets**



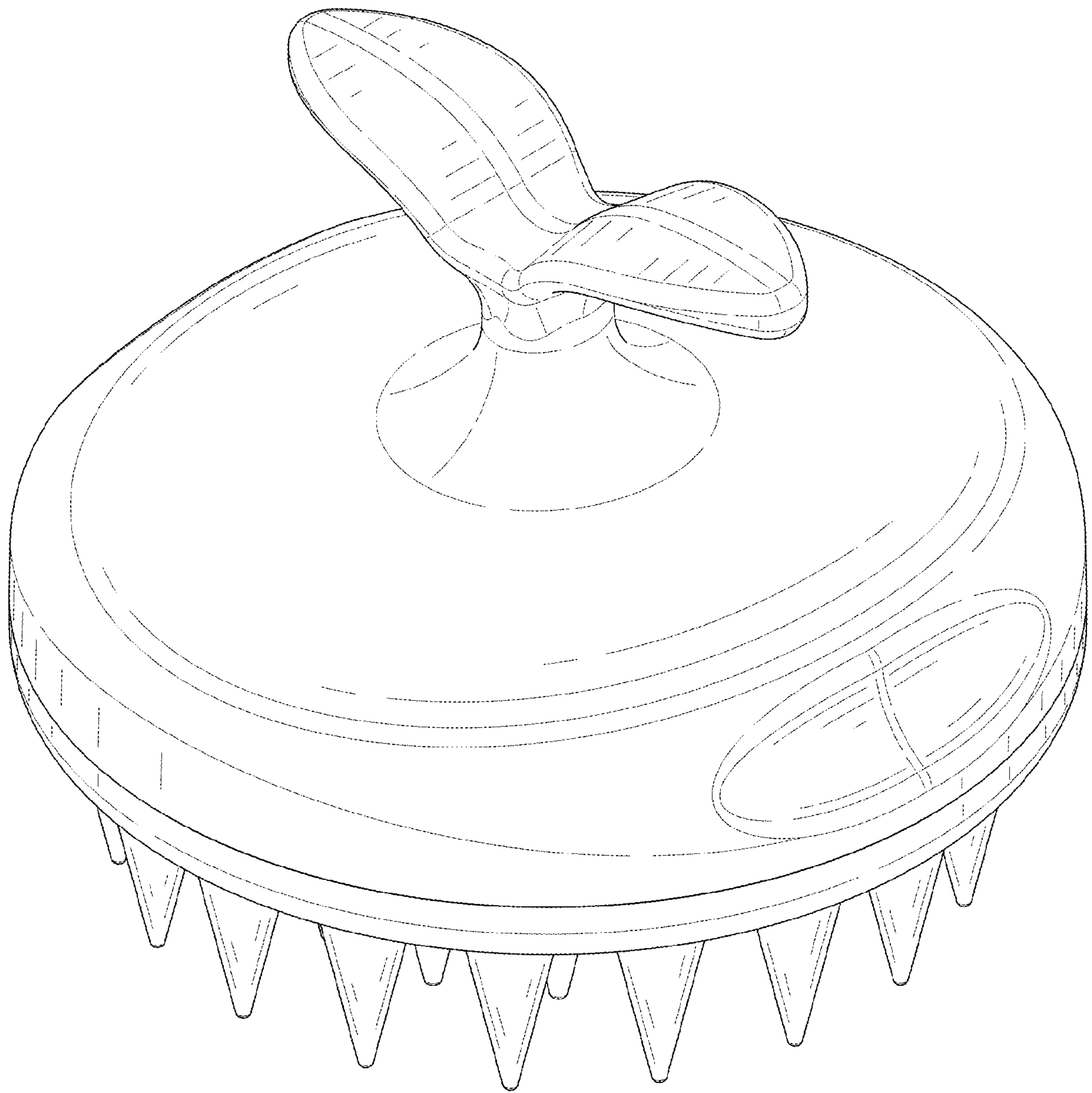


FIG. 1

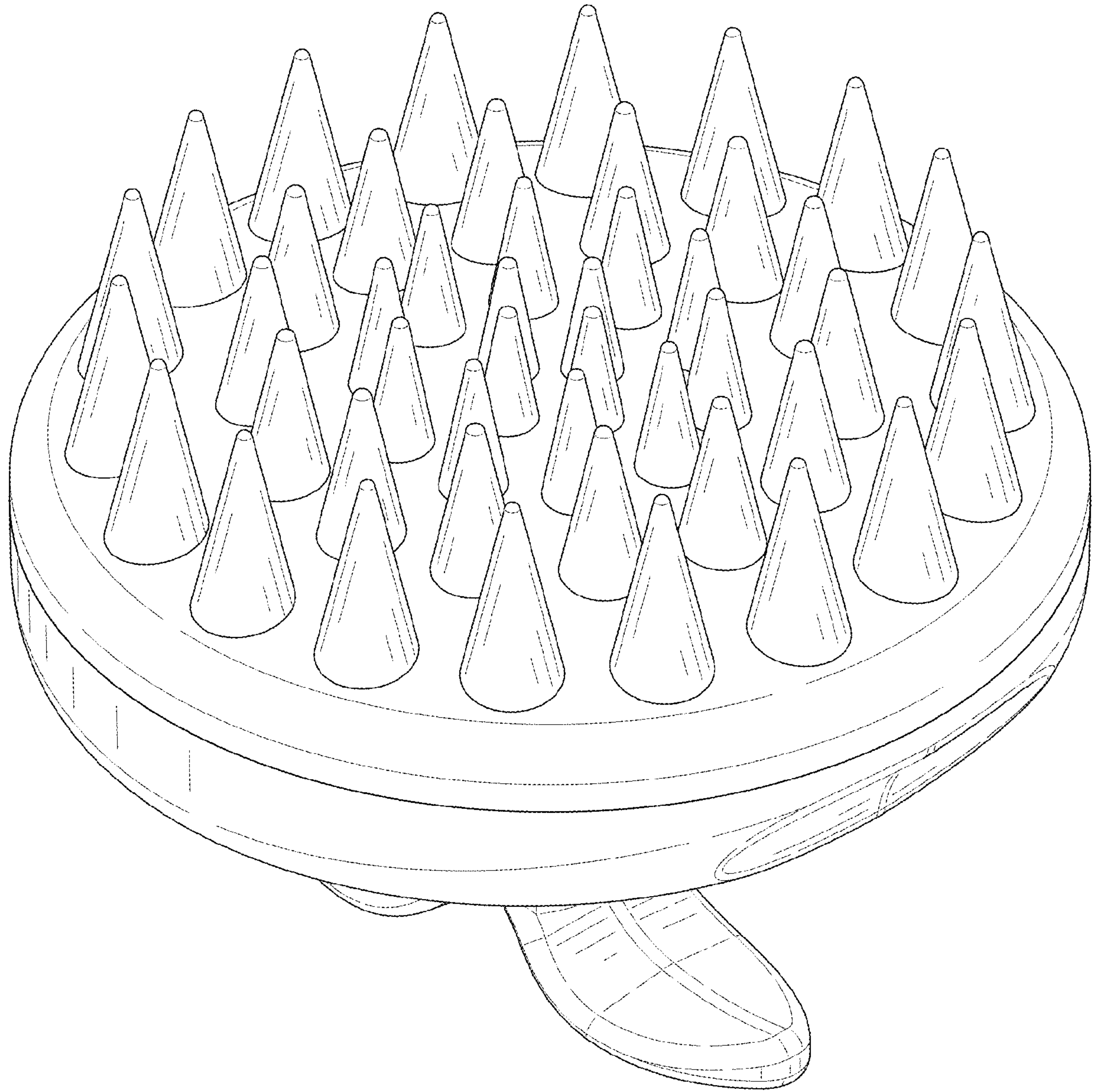


FIG. 2



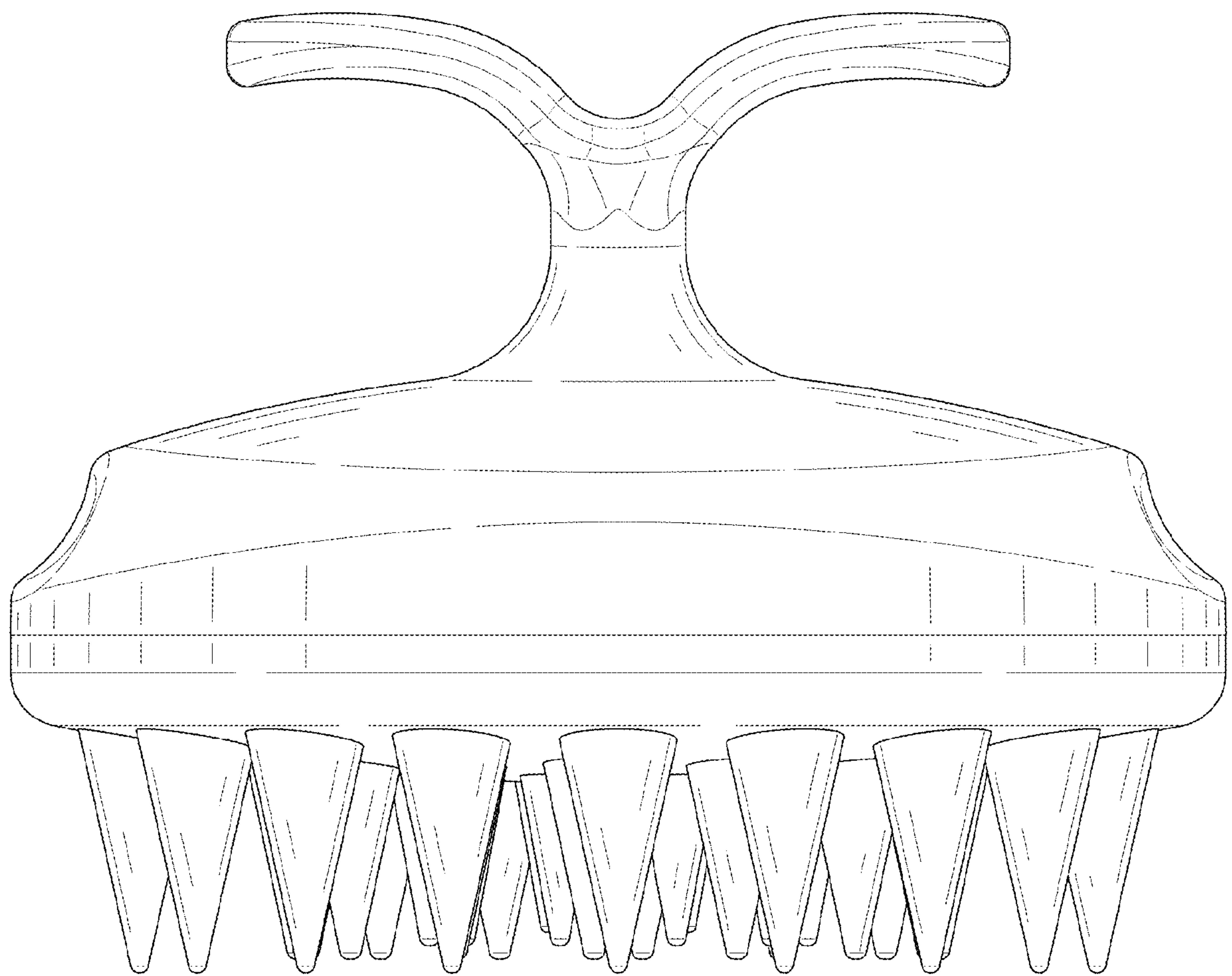


FIG. 3

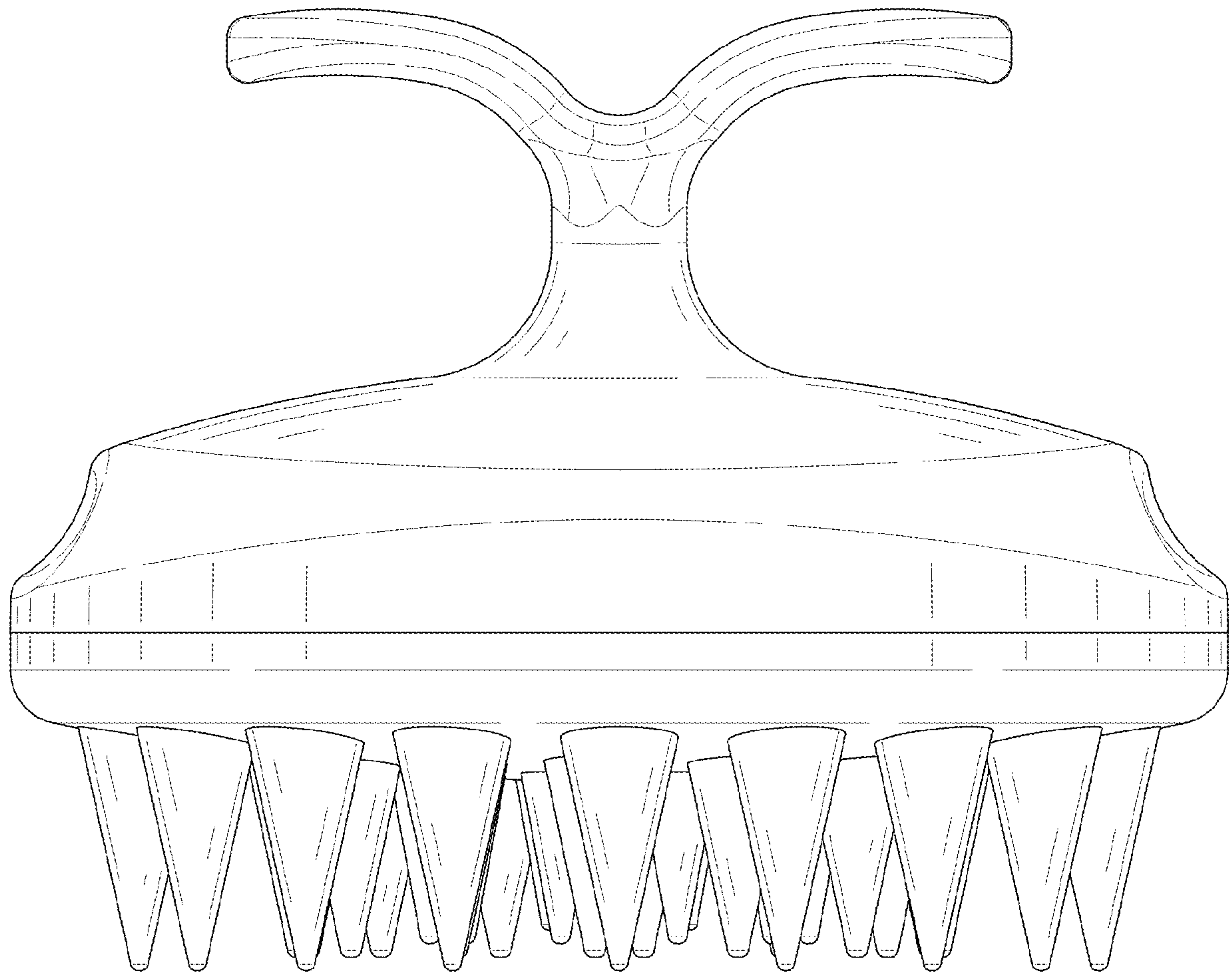


FIG. 4

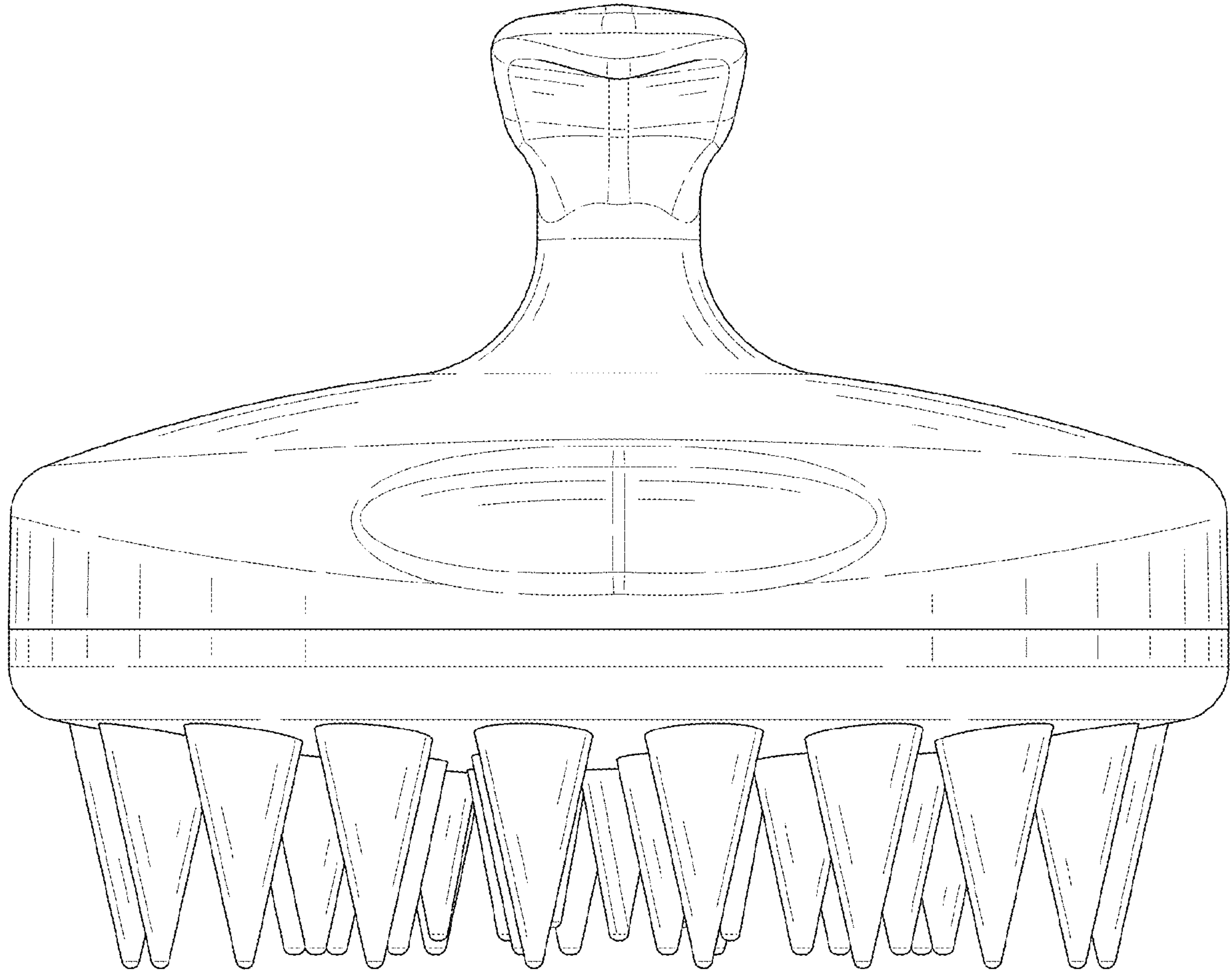


FIG. 5

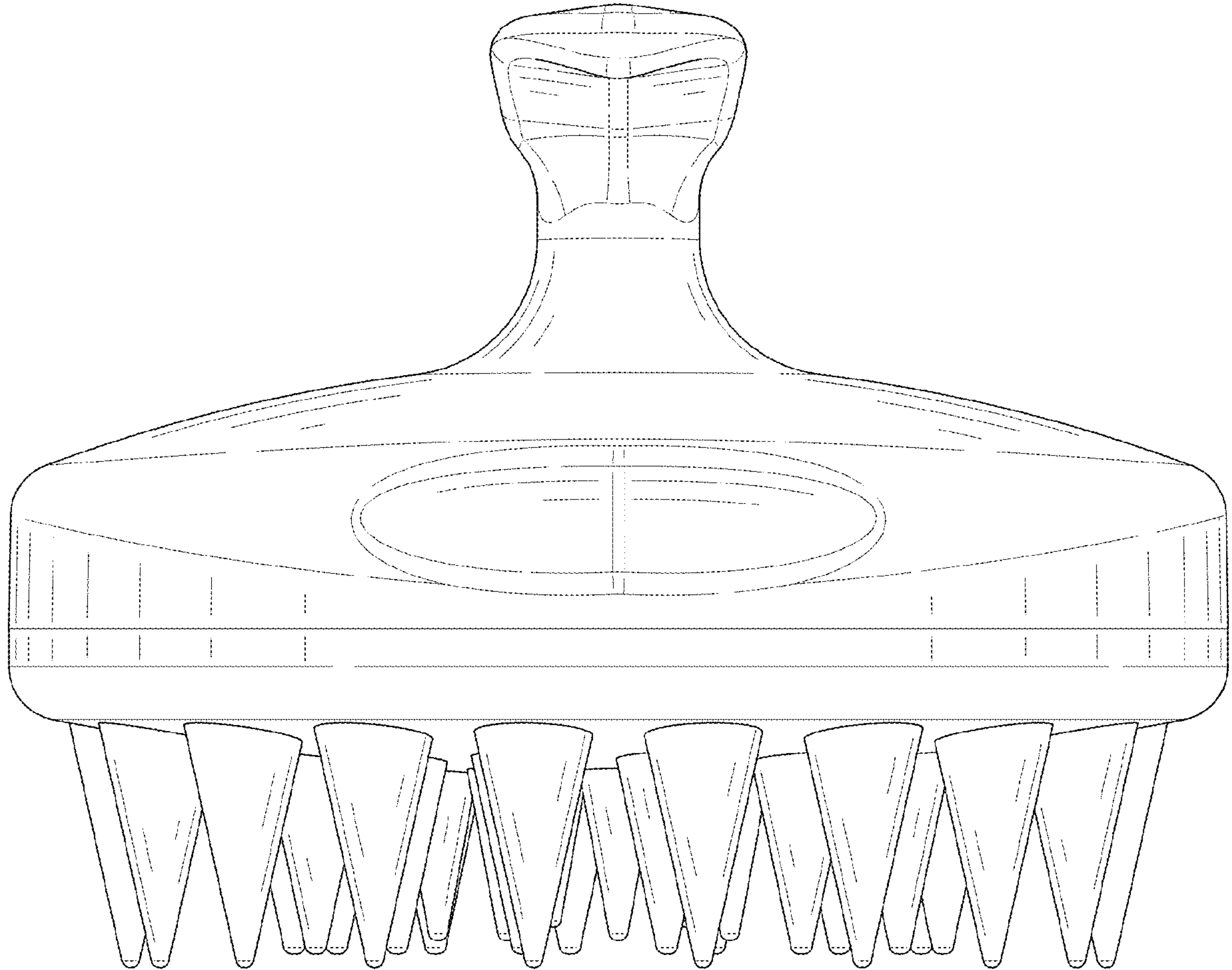


FIG. 6

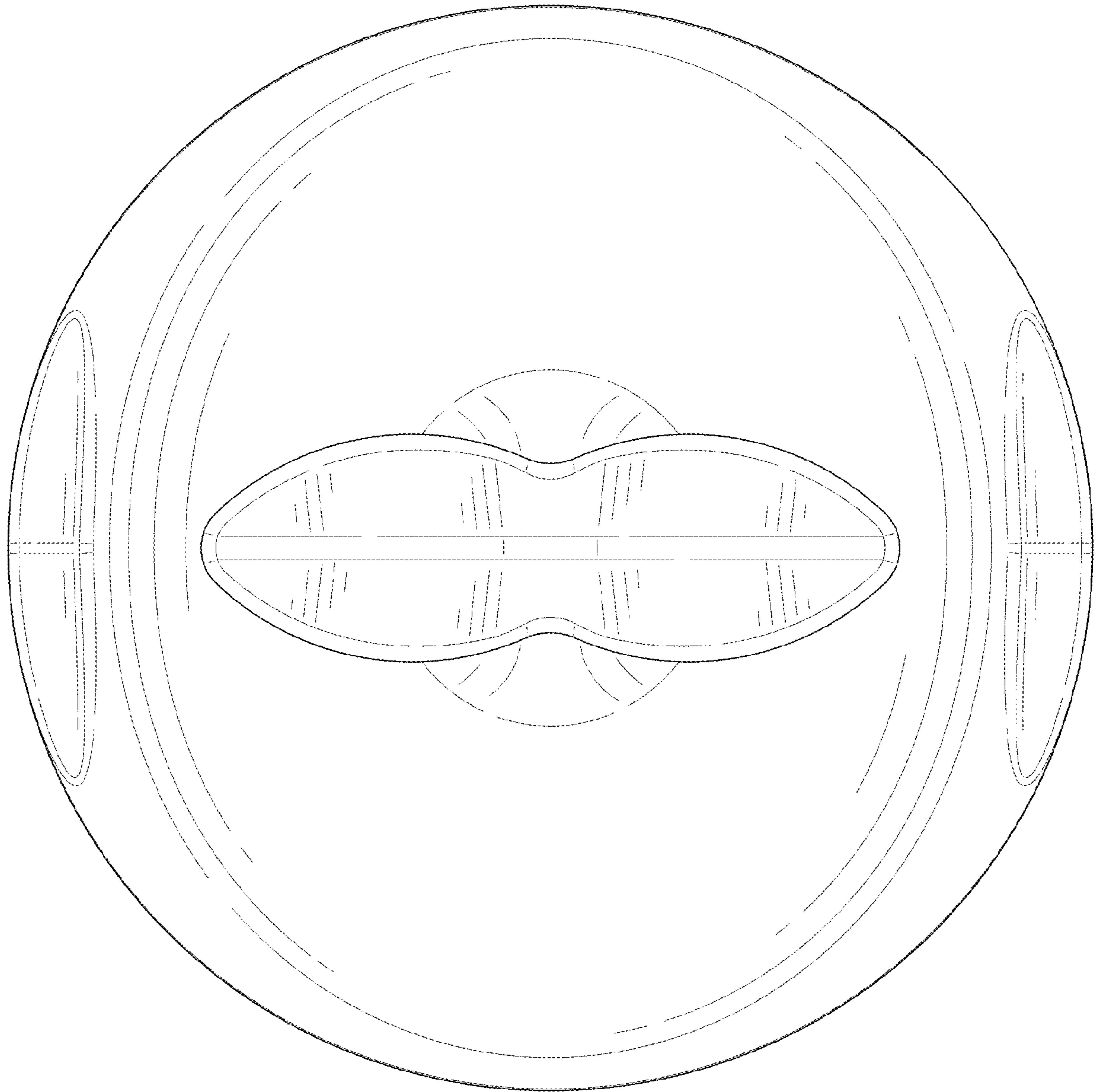


FIG. 7



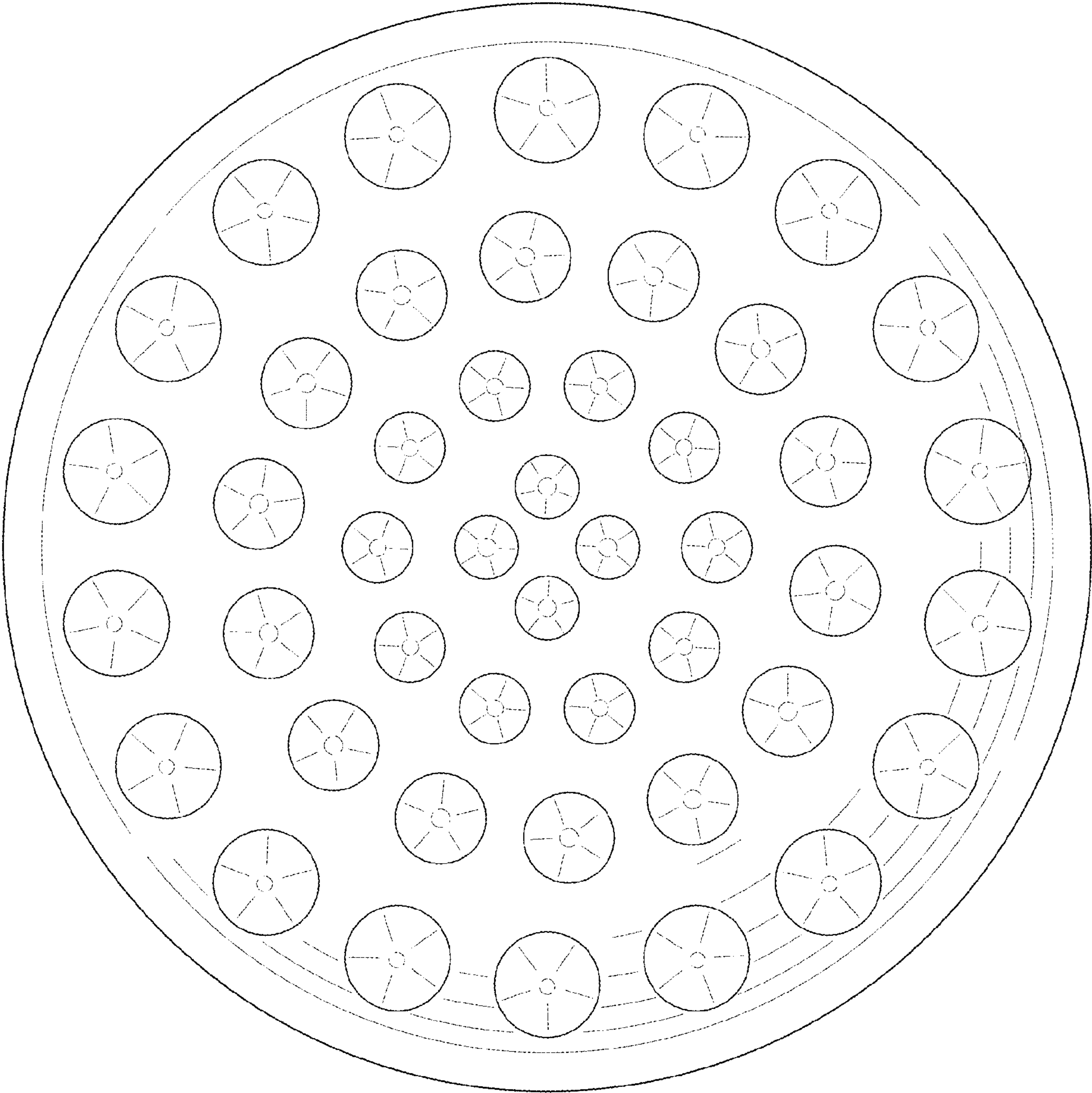


FIG. 8