



US00D915073S

(12) **United States Design Patent** (10) **Patent No.:** **US D915,073 S**
Kraemer (45) **Date of Patent:** **** Apr. 6, 2021**

- (54) **BIN**
- (71) Applicant: **InterDesign, Inc.**, Solon, OH (US)
- (72) Inventor: **Kevin Francis Kraemer**, Chagrin Falls, OH (US)
- (73) Assignee: **InterDesign, Inc.**, Solon, OH (US)
- (**) Term: **15 Years**
- (21) Appl. No.: **29/746,698**
- (22) Filed: **Aug. 17, 2020**

Related U.S. Application Data

- (63) Continuation of application No. 29/712,035, filed on Nov. 5, 2019, now Pat. No. Des. 895,970, which is a continuation of application No. 29/678,011, filed on Jan. 25, 2019, now Pat. No. Des. 878,051, which is a continuation of application No. 29/636,788, filed on Feb. 12, 2018, now Pat. No. Des. 842,607, which is a continuation of application No. 29/552,628, filed on Jan. 25, 2016, now Pat. No. Des. 809,797, which is a continuation of application No. 29/471,492, filed on Nov. 1, 2013, now Pat. No. Des. 751,318, which is a continuation of application No. 29/411,666, filed on Jan. 25, 2012, now Pat. No. Des. 694,548.
- (51) **LOC (13) Cl.** **09-04**
- (52) **U.S. Cl.**
USPC **D3/307; D32/37**
- (58) **Field of Classification Search**
USPC D3/307-309, 200-201, 203.1, 203.3, D3/205-206, 303-315; D19/75, 77, 86, D19/90, 92, 100; 206/503-507, 510, 512, 206/564, 822; D32/37; D9/643-644, D9/645-647, 703, 425-426, 432; 220/607, 643, 659, 676, 657; 229/100, 229/406, 913-914
CPC B65D 81/3813; B65D 21/00
See application file for complete search history.

(56) **References Cited**

U.S. PATENT DOCUMENTS

D538,536 S *	3/2007	Kopenhaver	D3/305
D732,827 S *	6/2015	Suomela	D3/304
D746,593 S *	1/2016	Kroll	D3/307
D747,102 S *	1/2016	Kraemer	D3/307
D809,797 S *	2/2018	Kraemer	D3/307
D832,115 S *	10/2018	Fitchett	D9/711
D862,994 S *	10/2019	Kraemer	D7/629
D866,973 S *	11/2019	Snell	D3/314
D878,051 S *	3/2020	Kraemer	D3/307
D887,141 S *	6/2020	Mazor	D3/307
D893,874 S *	8/2020	Kraemer	D3/310

(Continued)

OTHER PUBLICATIONS

Amazon.com, mDesign Slim Plastic Stackable Food Storage Container Bin, Nov. 29, 2018, <https://www.amazon.com/dp/B07KYWZFH8/> (Year: 2018).*

Primary Examiner — Nathan M Johnston
(74) *Attorney, Agent, or Firm* — Calfee, Halter & Griswold LLP

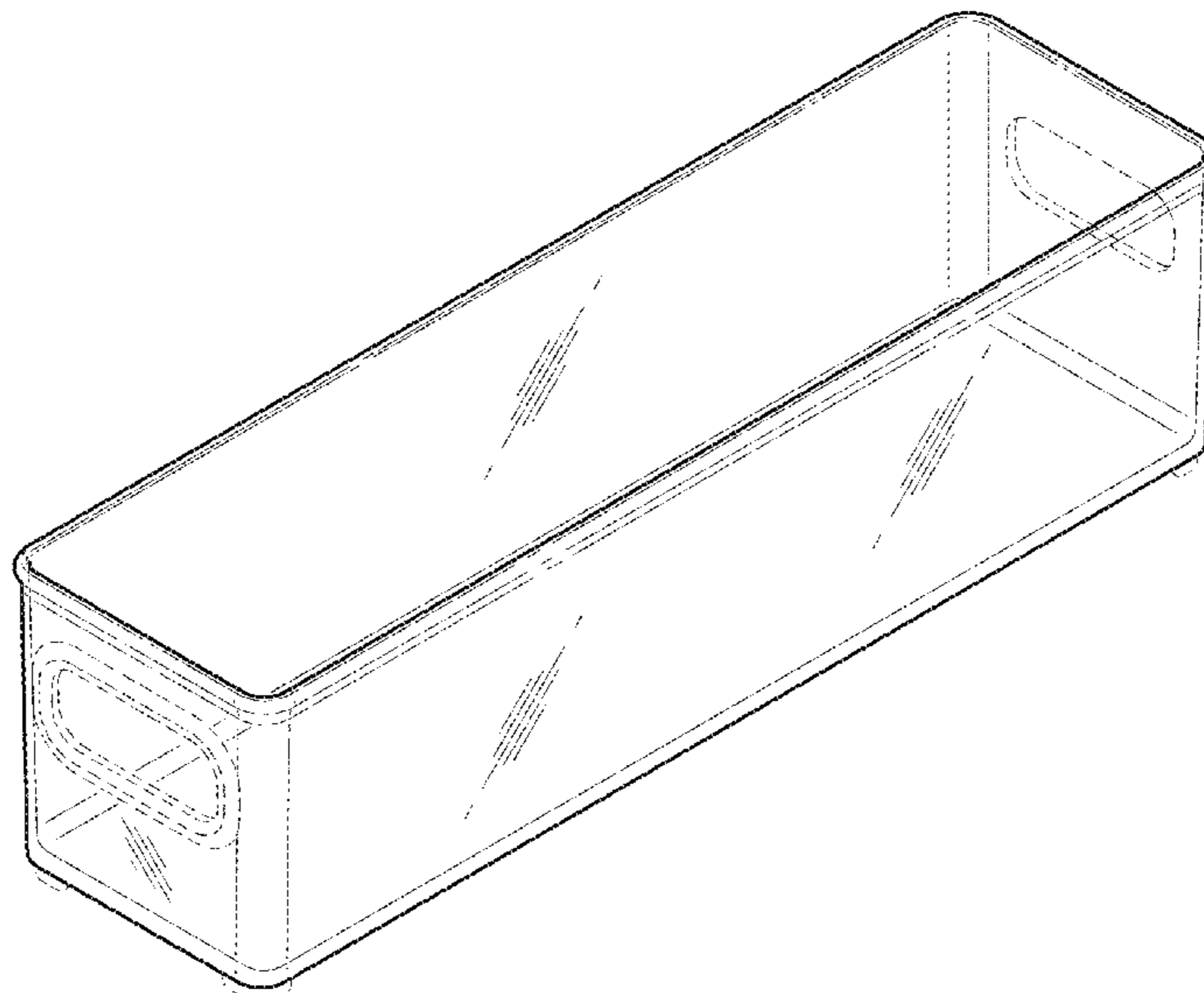
(57) **CLAIM**

I claim the ornamental design for a bin, as shown and described.

DESCRIPTION

FIG. 1 is a front/right/top perspective view of a bin; FIG. 2 is a rear/left/bottom perspective view thereof; FIG. 3 is a top plan view thereof; FIG. 4 is a bottom plan view thereof; FIG. 5 is a left side elevational view thereof; a right elevational view would be a mirror image thereof; and, FIG. 6 is a front elevational view thereof. The broken lines depict portions of the bin that form no part of the claimed design.

1 Claim, 4 Drawing Sheets



(56)

References Cited

U.S. PATENT DOCUMENTS

D895,970 S * 9/2020 Kraemer D3/310
D902,594 S * 11/2020 Kraemer D3/310

* cited by examiner

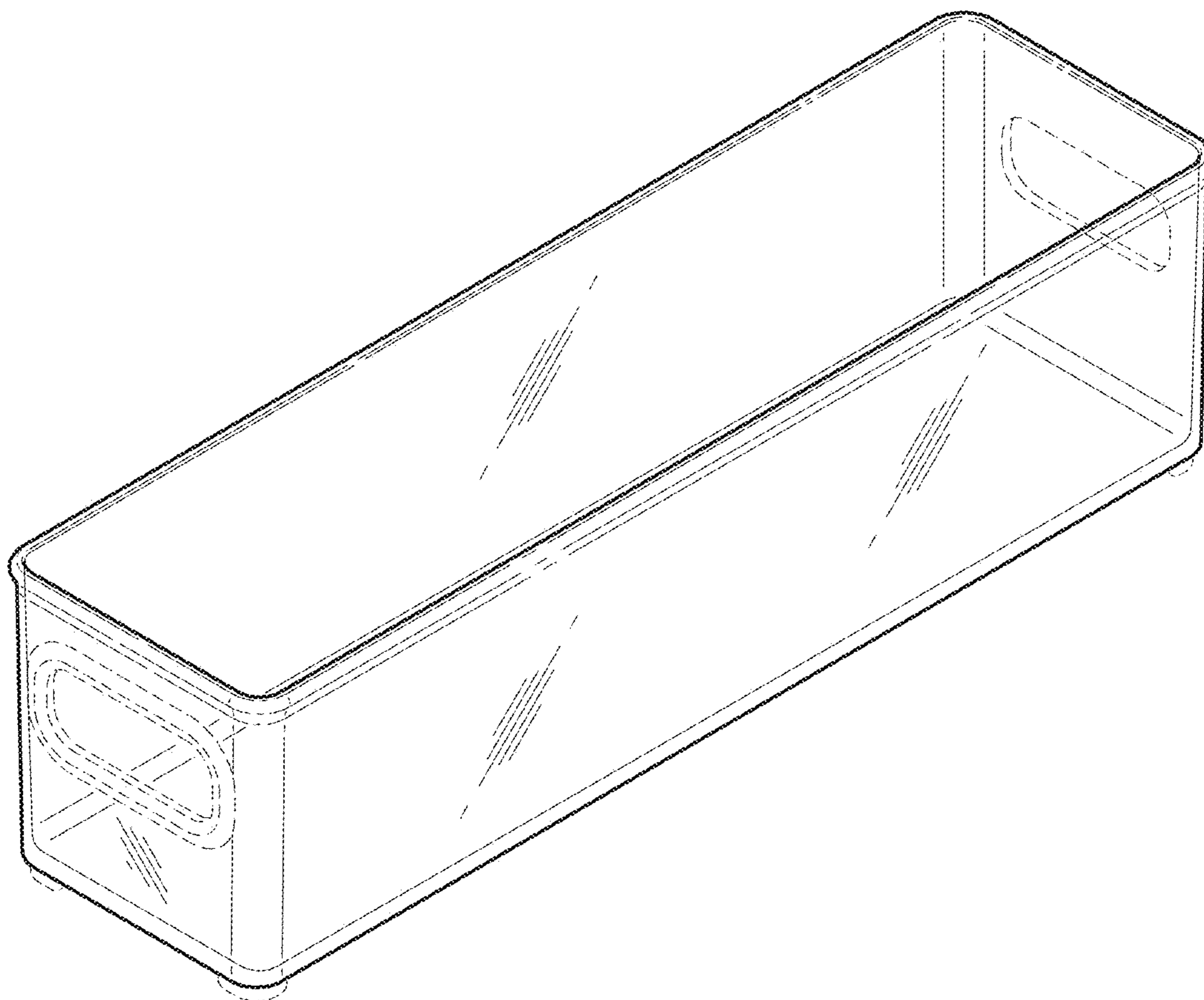


FIG. 1

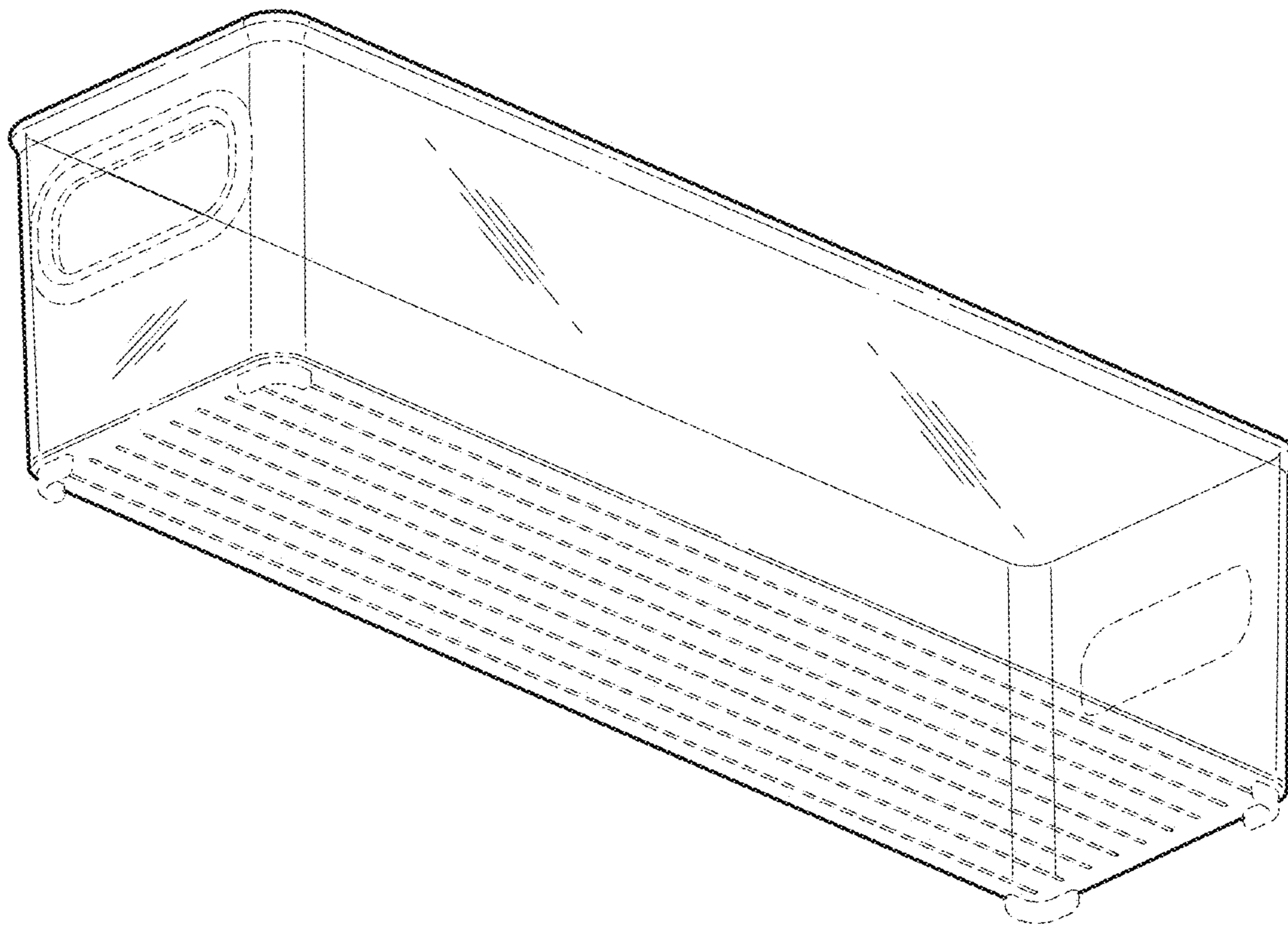


FIG. 2

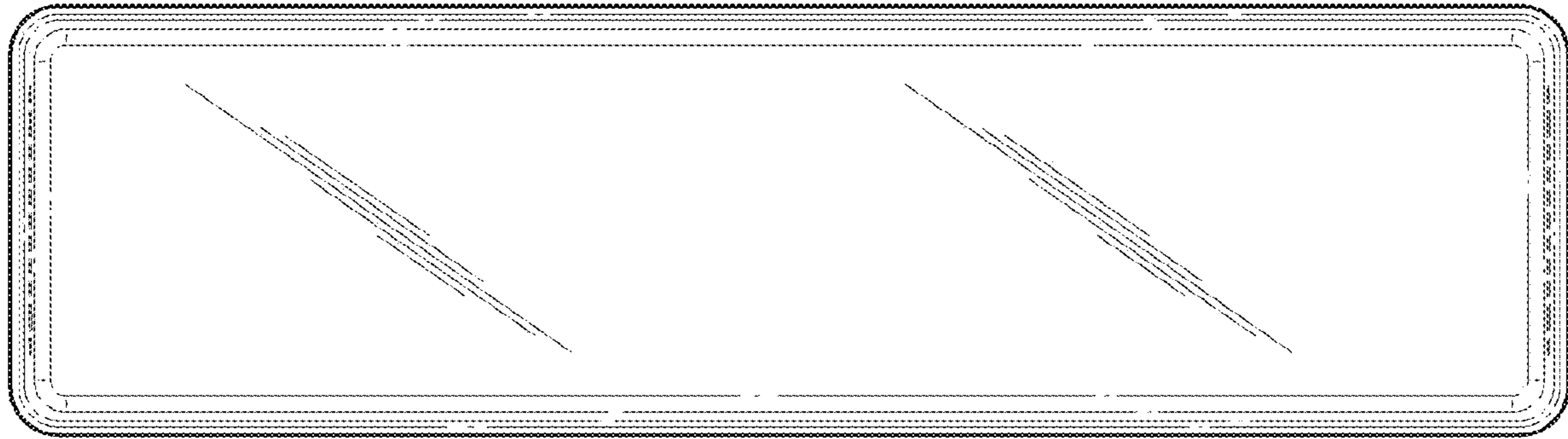


FIG. 3



FIG. 4

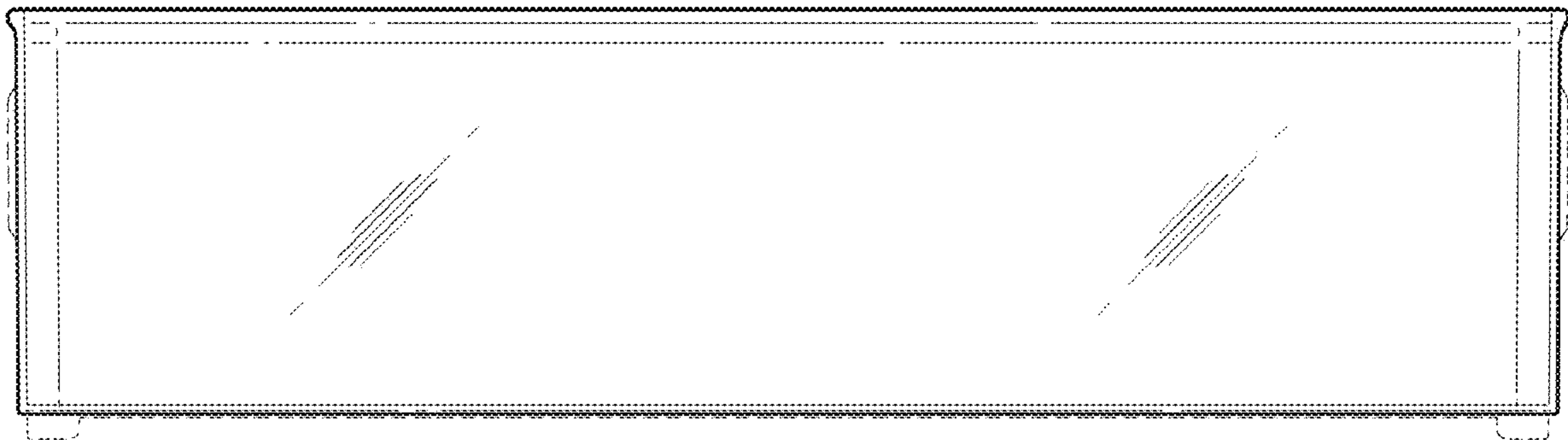


FIG. 5

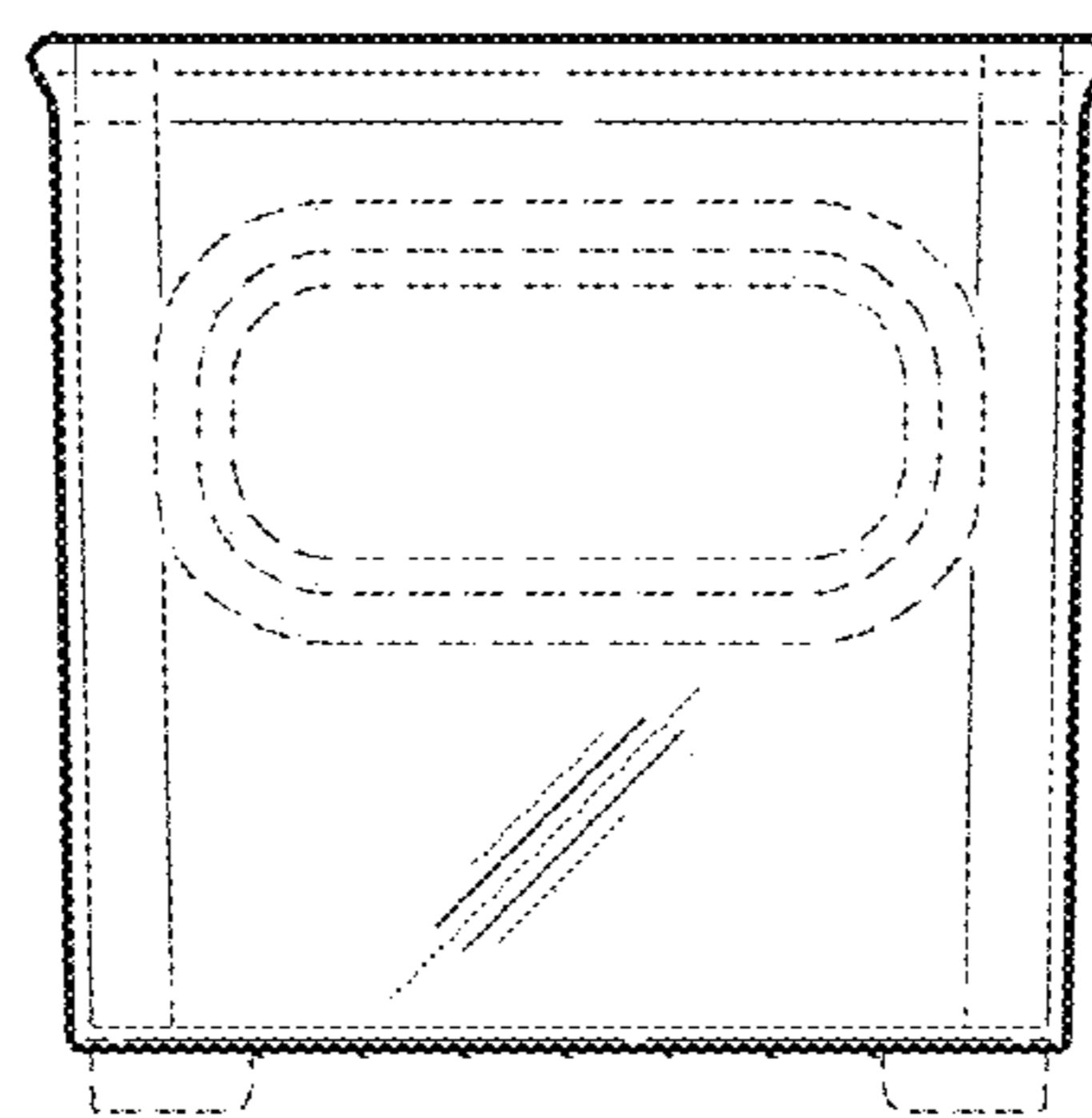


FIG. 6