



US00D915072S

(12) **United States Design Patent** (10) **Patent No.:** **US D915,072 S**
Case et al. (45) **Date of Patent:** **** *Apr. 6, 2021**

- (54) **WATERPROOF POCKET**
- (71) Applicant: **Nite Ize, Inc.**, Boulder, CO (US)
- (72) Inventors: **Rick Case**, Boulder, CO (US); **Michael C. Boyd**, Boulder, CO (US); **Bowden Ormsbee**, Longmont, CO (US); **Dale Karacostas**, Boulder, CO (US); **Clint Todd**, Boulder, CO (US); **Carley Mulder**, Boulder, CO (US)
- (73) Assignee: **NITE IZE, INC.**, Boulder, CO (US)
- (*) Notice: This patent is subject to a terminal disclaimer.
- (**) Term: **15 Years**
- (21) Appl. No.: **29/672,457**
- (22) Filed: **Dec. 5, 2018**
- (51) **LOC (13) Cl.** **03-01**
- (52) **U.S. Cl.**
USPC **D3/303**
- (58) **Field of Classification Search**
USPC D3/247, 249–253, 300, 303; D2/857, D2/864
CPC A45F 5/022; A41D 27/20; A41D 27/204; A45C 1/06; A45C 3/08
See application file for complete search history.

D751,815 S *	3/2016	Pedrazzi	D3/245
D807,640 S *	1/2018	Goldszer	D3/303
D855,995 S *	8/2019	Case	D3/323
D865,363 S *	11/2019	Liu	D3/303
2003/0185466 A1 *	10/2003	Edelman	B65D 33/2591 383/5

OTHER PUBLICATIONS

RunOff Waterproof Wallet, posted at supplycache.com, no posting date, retrieved Aug. 2, 2020, online, URL:https://www.supplycache.com/products/runoff-waterproof-wallet-nite-ize (Year: 2020).*

* cited by examiner

Primary Examiner — Lilyana Bekic
Assistant Examiner — Mary Shannon Malley
(74) *Attorney, Agent, or Firm* — Haynes and Boone, LLP

(57) **CLAIM**

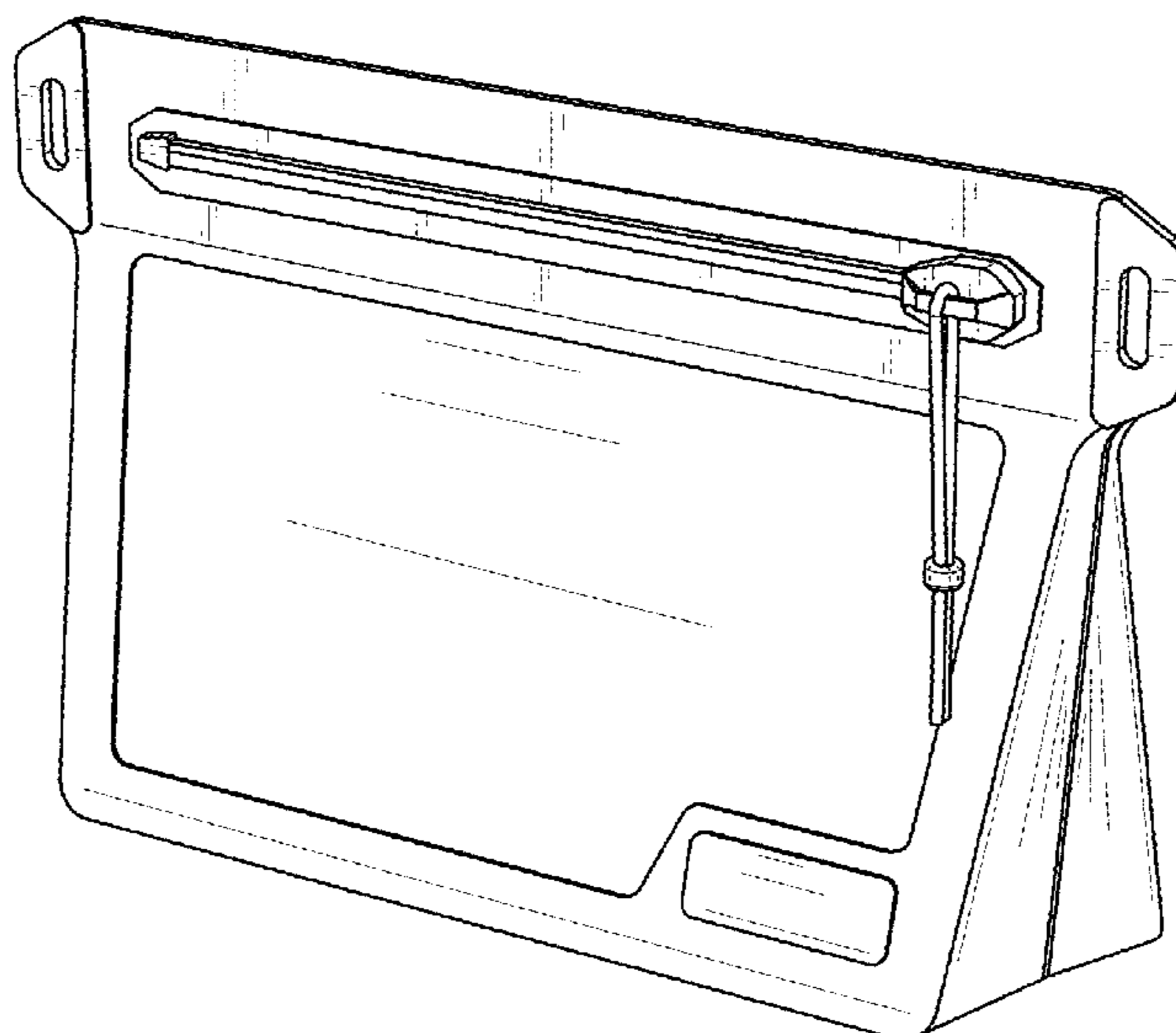
The ornamental design for a waterproof pocket, as shown and described.

DESCRIPTION

FIG. 1 shows a front perspective view of a waterproof pocket;
FIG. 2 shows a rear perspective view of the waterproof pocket of FIG. 1;
FIG. 3 shows a front view of the waterproof pocket of FIG. 1;
FIG. 4 shows a rear view of the waterproof pocket of FIG. 1;
FIG. 5 shows a right-side view of the waterproof pocket of FIG. 1;
FIG. 6 shows a left-side view of the waterproof pocket of FIG. 1;
FIG. 7 shows a top view of the waterproof pocket of FIG. 1; and,
FIG. 8 shows a bottom view of the waterproof pocket of FIG. 1.

1 Claim, 8 Drawing Sheets

- (56) **References Cited**
U.S. PATENT DOCUMENTS
- D262,753 S * 1/1982 Salata D3/319
- D402,105 S * 12/1998 Erickson D3/215
- D489,180 S * 5/2004 Kramer D3/303
- D545,217 S * 6/2007 Jeric D9/709
- D702,043 S * 4/2014 Johnson D3/247
- D709,700 S * 7/2014 Nunez D3/303
- D709,701 S * 7/2014 Coleman D3/303
- D710,106 S * 8/2014 Coleman D3/303
- D713,644 S * 9/2014 Johnson D3/303



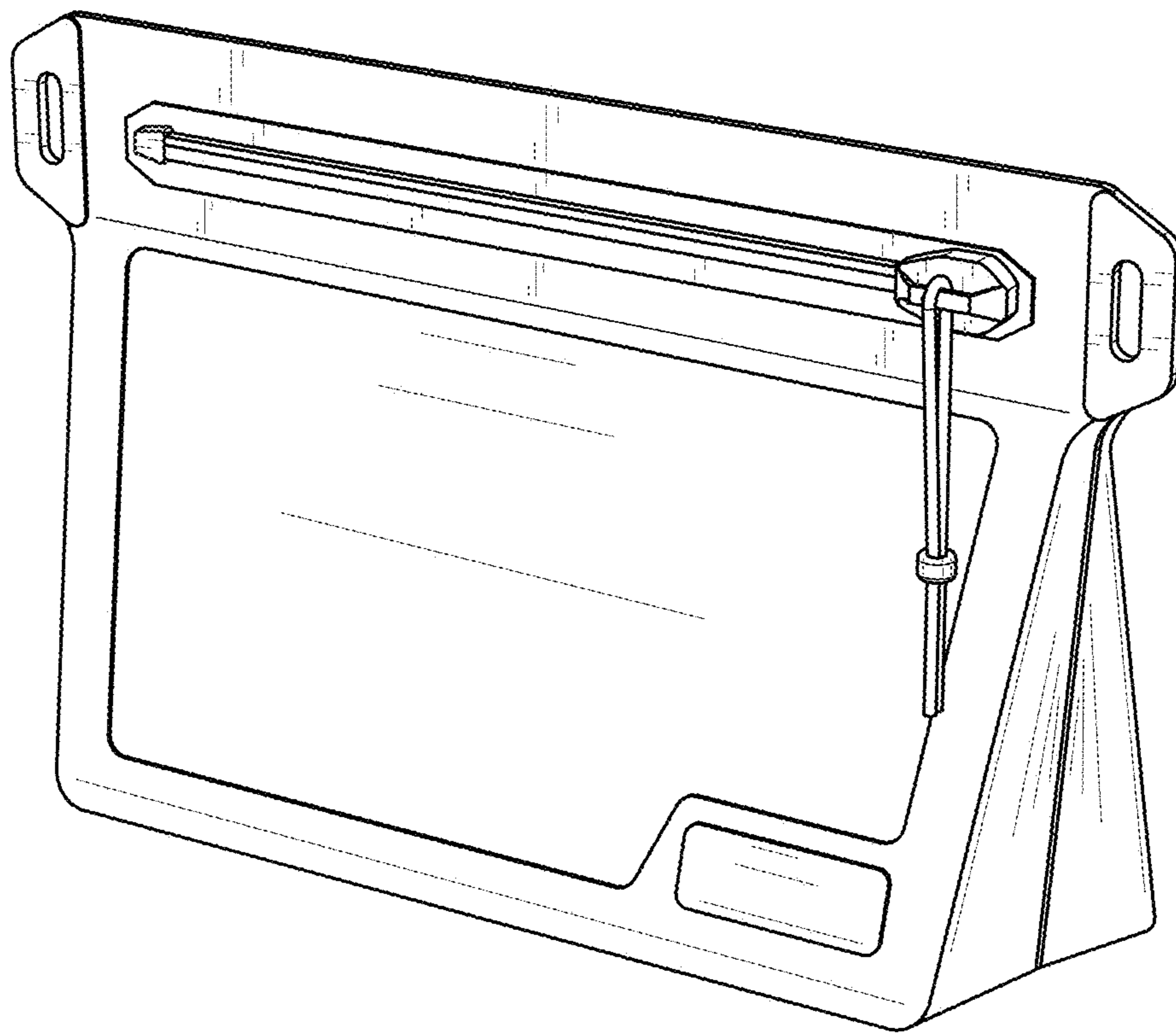


FIG. 1

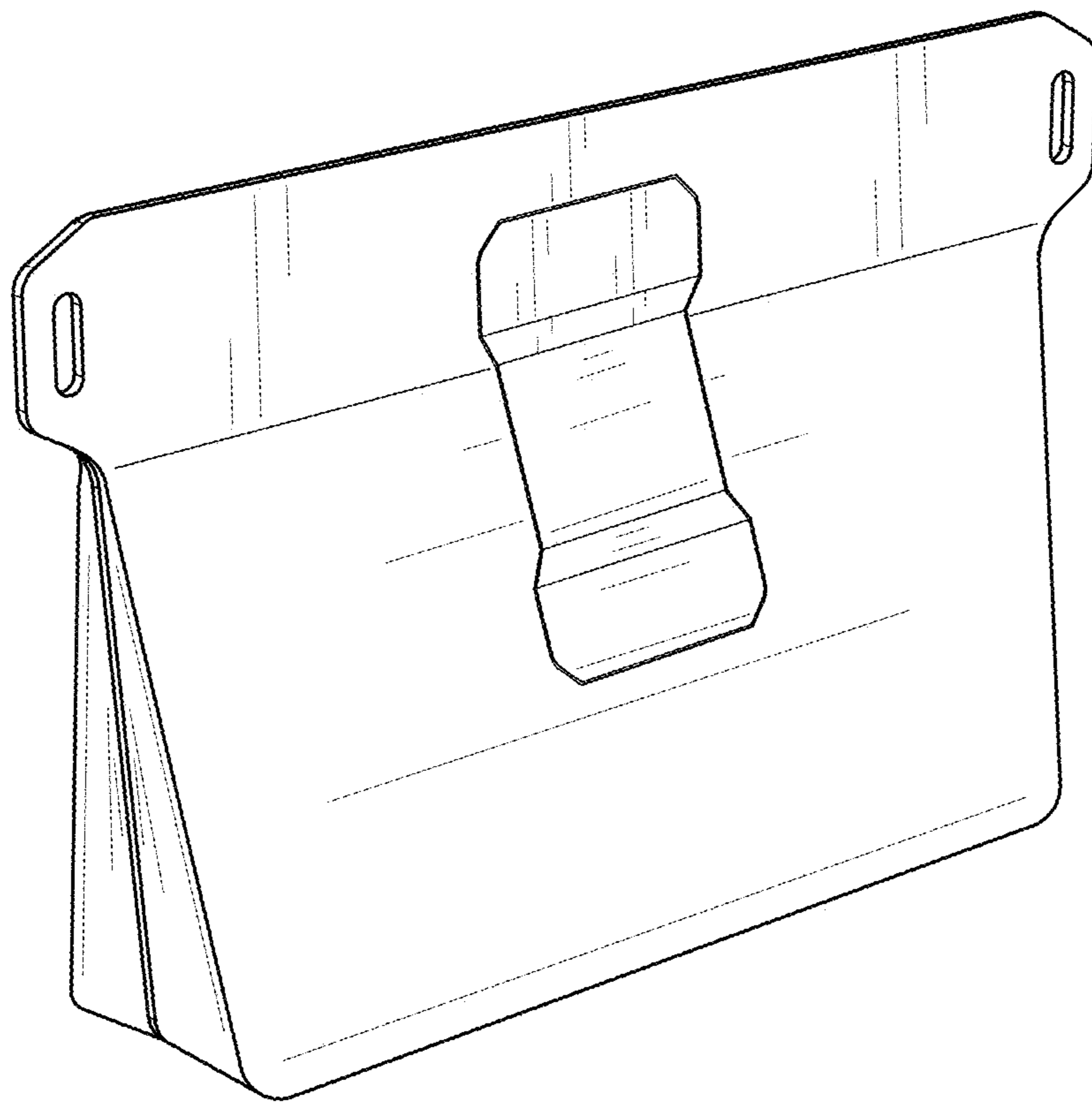


FIG. 2

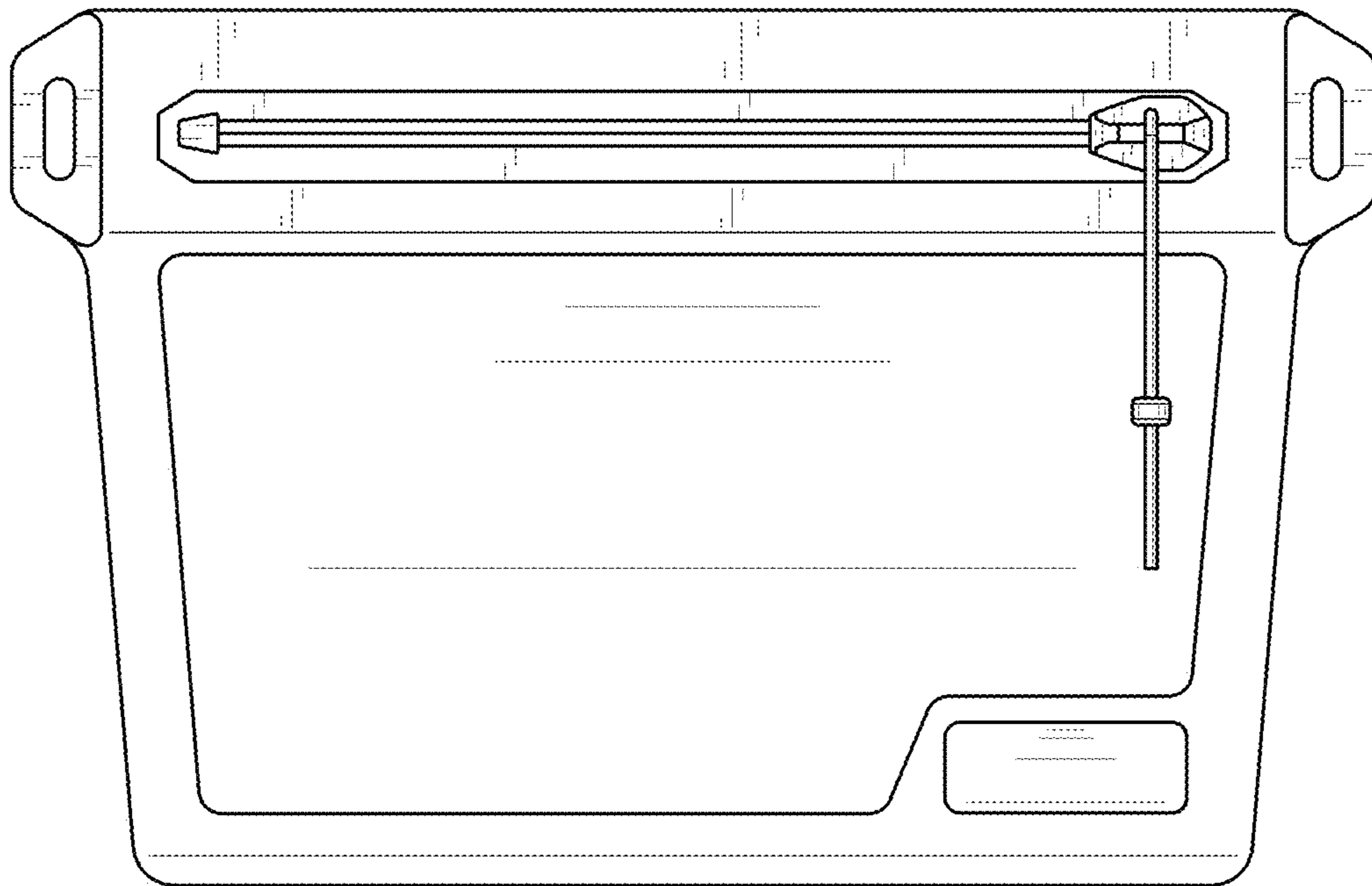


FIG. 3

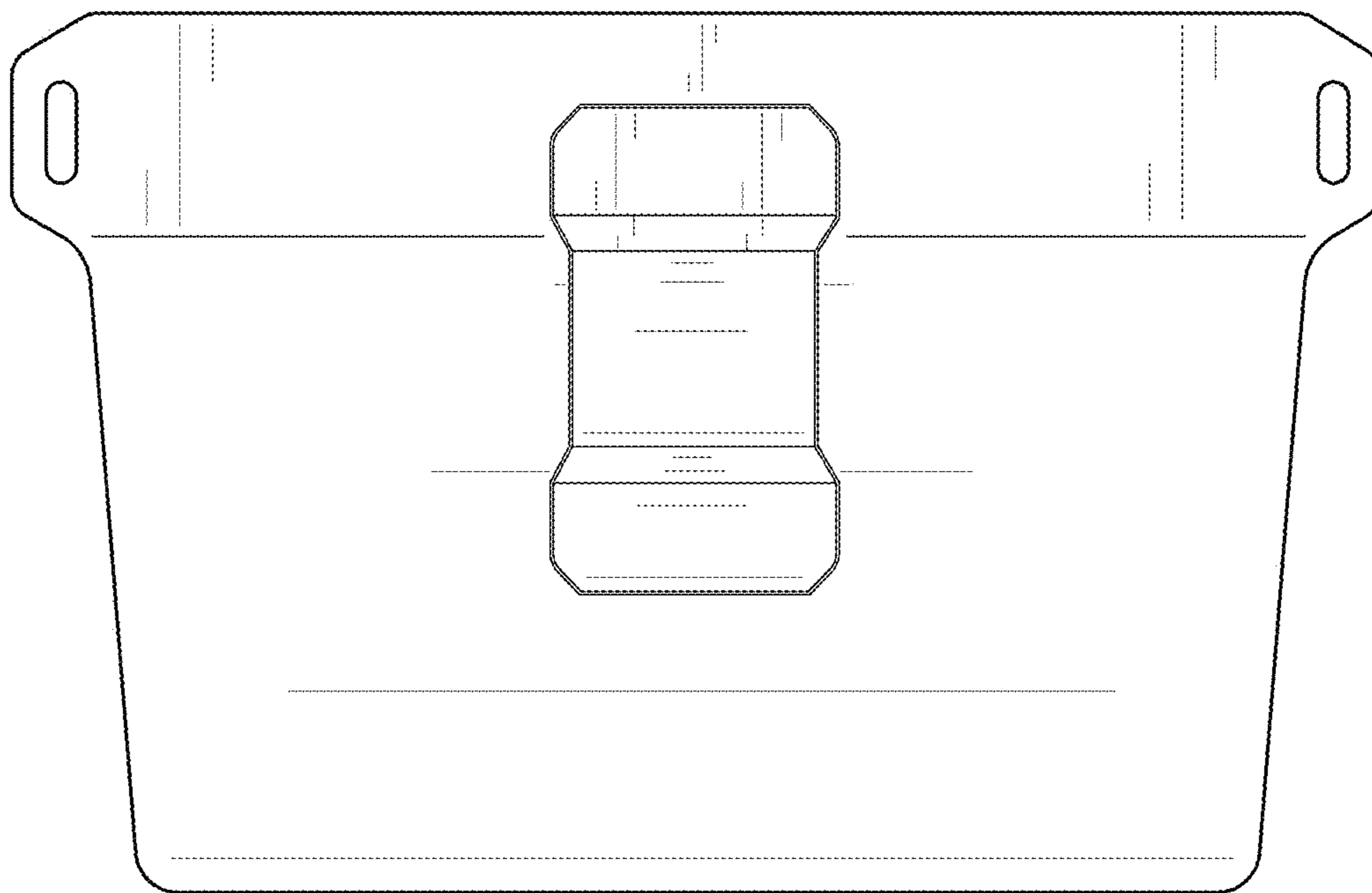


FIG. 4

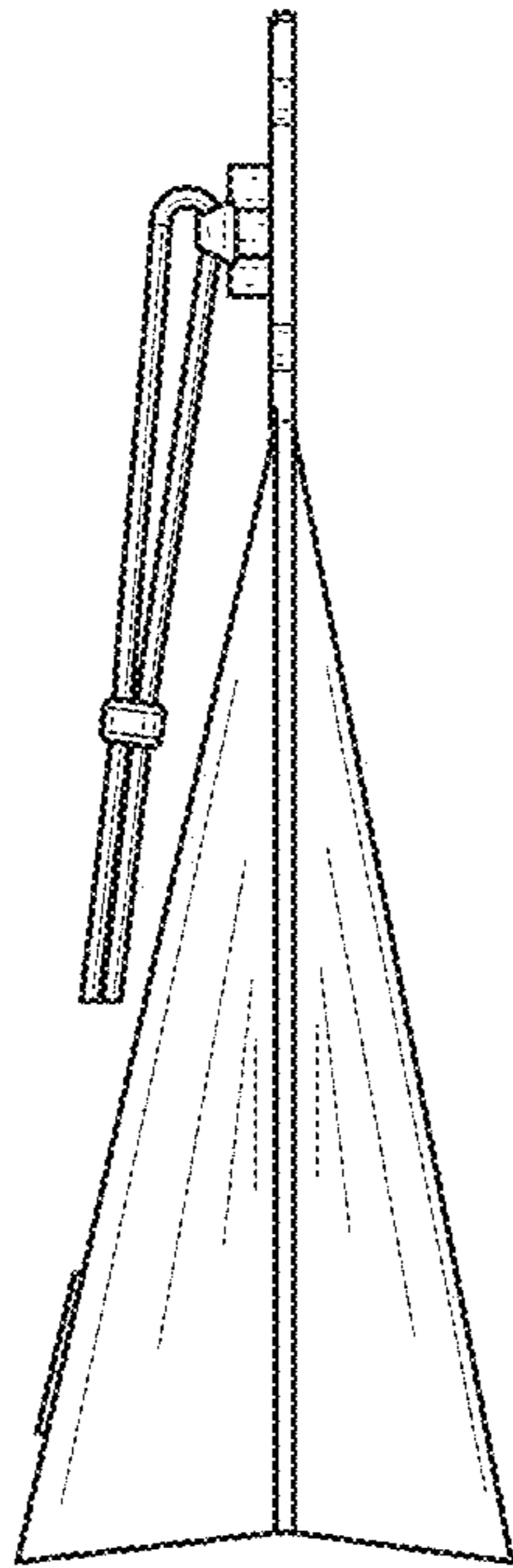


FIG. 5

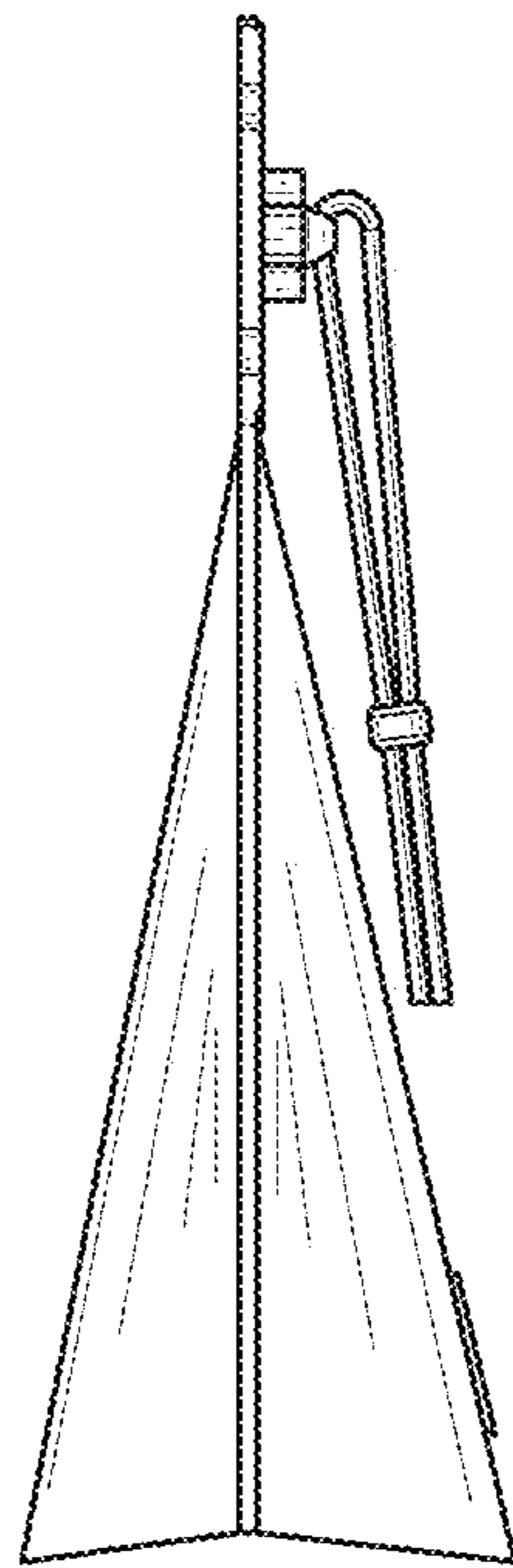


FIG. 6

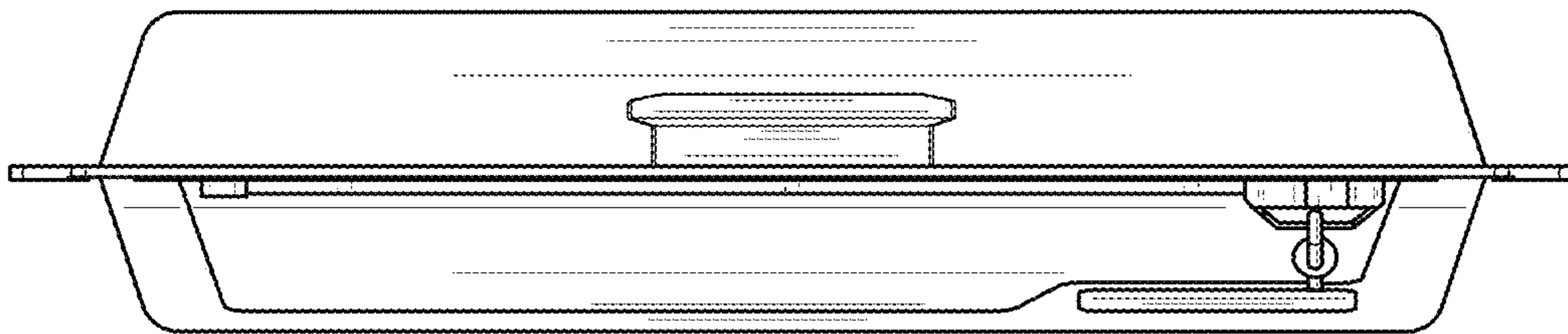


FIG. 7

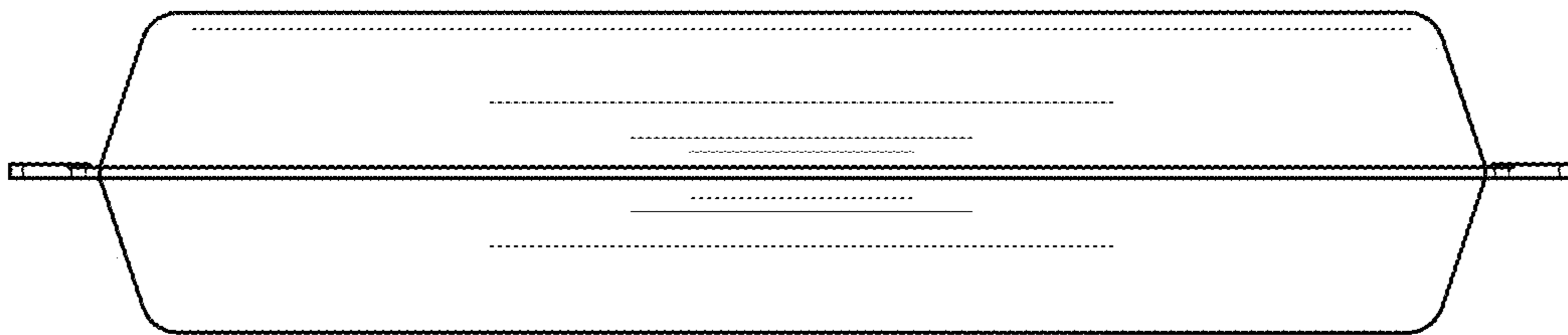


FIG. 8