



US00D915070S

(12) **United States Design Patent** (10) **Patent No.:** **US D915,070 S**
Wang (45) **Date of Patent:** **** Apr. 6, 2021**

(54) **STORAGE BAG**

(71) Applicant: **XIAMEN XINGHENGXING
IMPORT & EXPORT CO., LTD.,**
Xiamen (CN)
(72) Inventor: **Jiben Wang**, Xiamen (CN)
(73) Assignee: **XIAMEN XINGHENGXING
IMPORT & EXPORT CO., LTD.,**
Xiamen (CN)

(**) Term: **15 Years**

(21) Appl. No.: **29/755,321**

(22) Filed: **Oct. 19, 2020**

(51) **LOC (13) Cl.** **03-01**

(52) **U.S. Cl.**
USPC **D3/283; D3/289; D3/20**

(58) **Field of Classification Search**
USPC D3/217, 226, 273, 276, 283, 289, 290,
D3/301, 900, 20, 23, 18; D7/607
CPC A45C 3/00; A45C 11/00; A45F 3/48
See application file for complete search history.

(56) **References Cited**

U.S. PATENT DOCUMENTS

D371,052 S *	6/1996	Melk	D7/607
D381,871 S *	8/1997	Melk	D7/607
D575,059 S *	8/2008	Cappiello	D3/283
D802,911 S	11/2017	Wang		
D825,921 S	8/2018	Pennington		
D861,335 S *	10/2019	Earlier	D3/232
D880,858 S *	4/2020	Wang	D3/287
D888,425 S *	6/2020	Wang	D3/287
D893,183 S *	8/2020	Eisenhardt	D3/283

OTHER PUBLICATIONS

Amazon, "HOMEST Yarn Storage Bag with Clean Top, Portable Knitting Tote for Yarn Skeins . . . ", Jul. 13, 2020. (<https://www.amazon.com/dp/B08CV8Z7JL>) (Year: 2020).*
Amazon, "Teamoy Knitting Bag, Yarn Tote Organizer with Inner Divider . . . ", Aug. 1, 2018. (<https://www.amazon.com/dp/B07VV8P9HC>) (Year: 2018).*
Amazon, "Knitting Bag, Yarn Tote Storage Organizer . . . ", Feb. 23, 2020. (<https://www.amazon.com/dp/B08532J6XN/>) (Year: 2020).*

* cited by examiner

Primary Examiner — April Rivas

(57) **CLAIM**

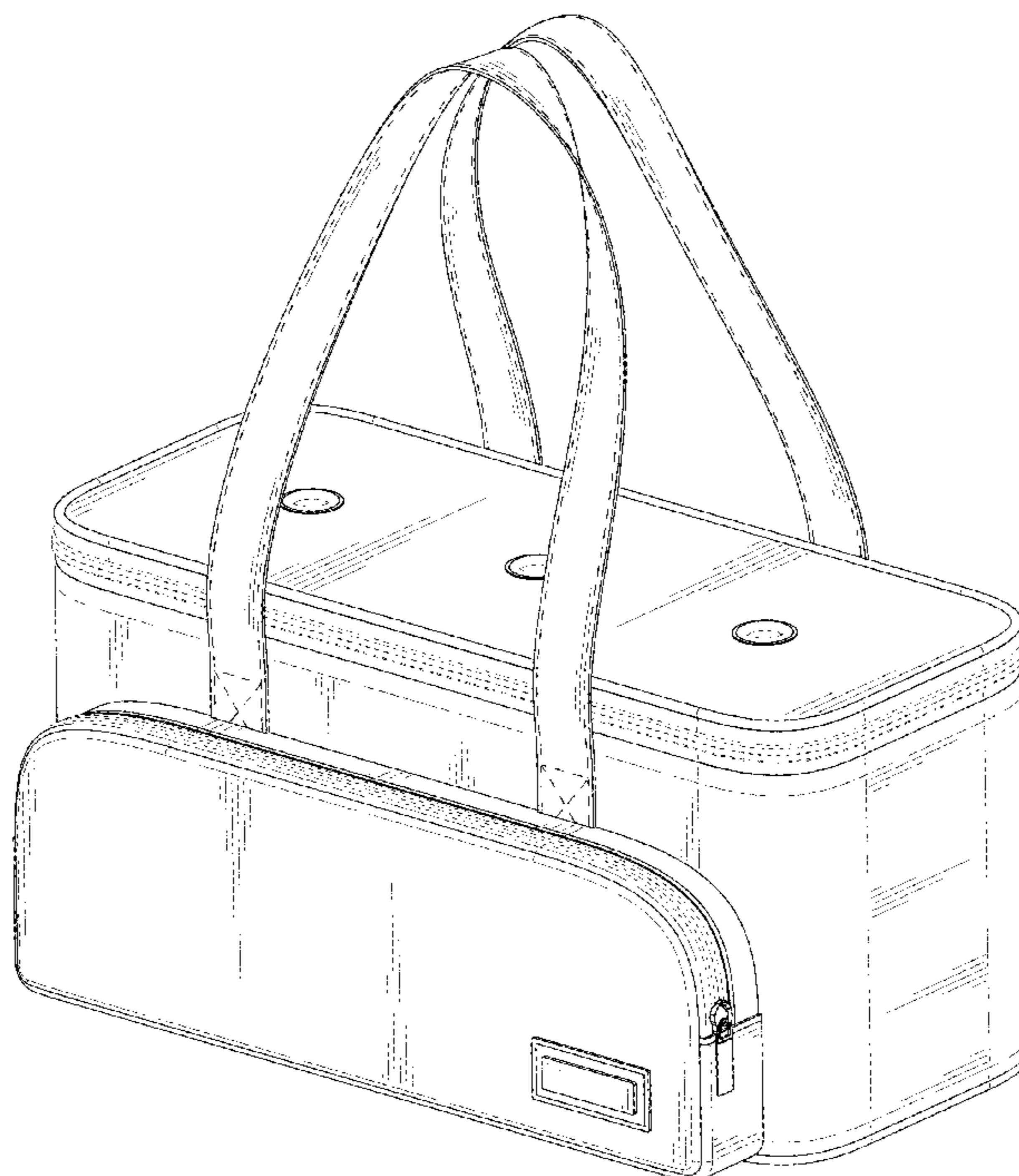
The ornamental design for a storage bag, as shown and described.

DESCRIPTION

FIG. 1 is a front perspective view of a storage bag, showing my new design;
FIG. 2 is a rear perspective view thereof;
FIG. 3 is a front elevational view thereof;
FIG. 4 is a rear elevational view thereof;
FIG. 5 is a left side elevational view thereof;
FIG. 6 is a right side elevational view thereof;
FIG. 7 is a top plan view thereof; and,
FIG. 8 is a bottom plan view thereof.

The thick long even-spaced broken lines in the storage bag depict stitching that form no part of the claimed design. The thin short even-spaced broken lines in the drawings depict portions of the storage bag that form no part of the claimed design.

1 Claim, 8 Drawing Sheets



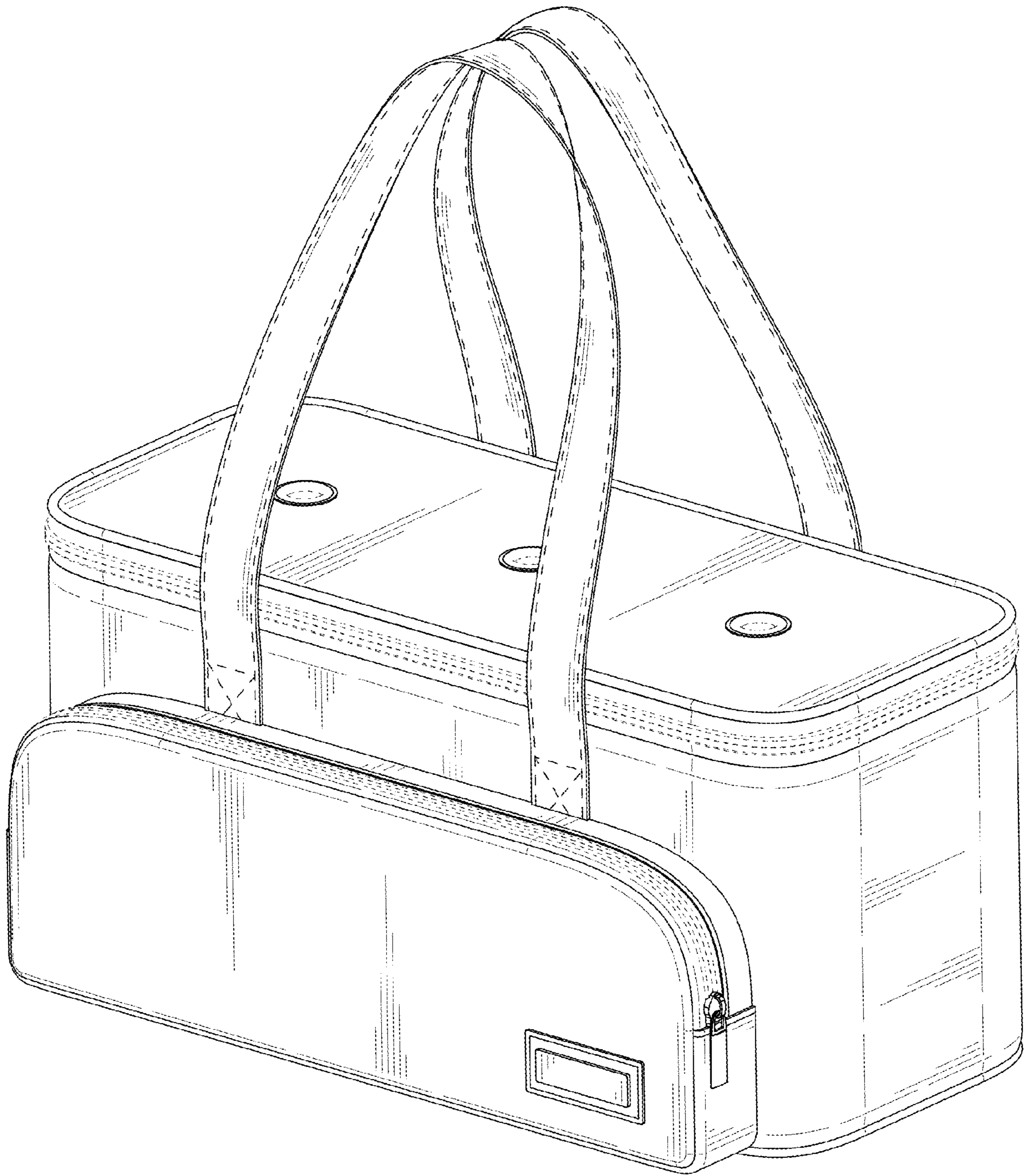


FIG. 1

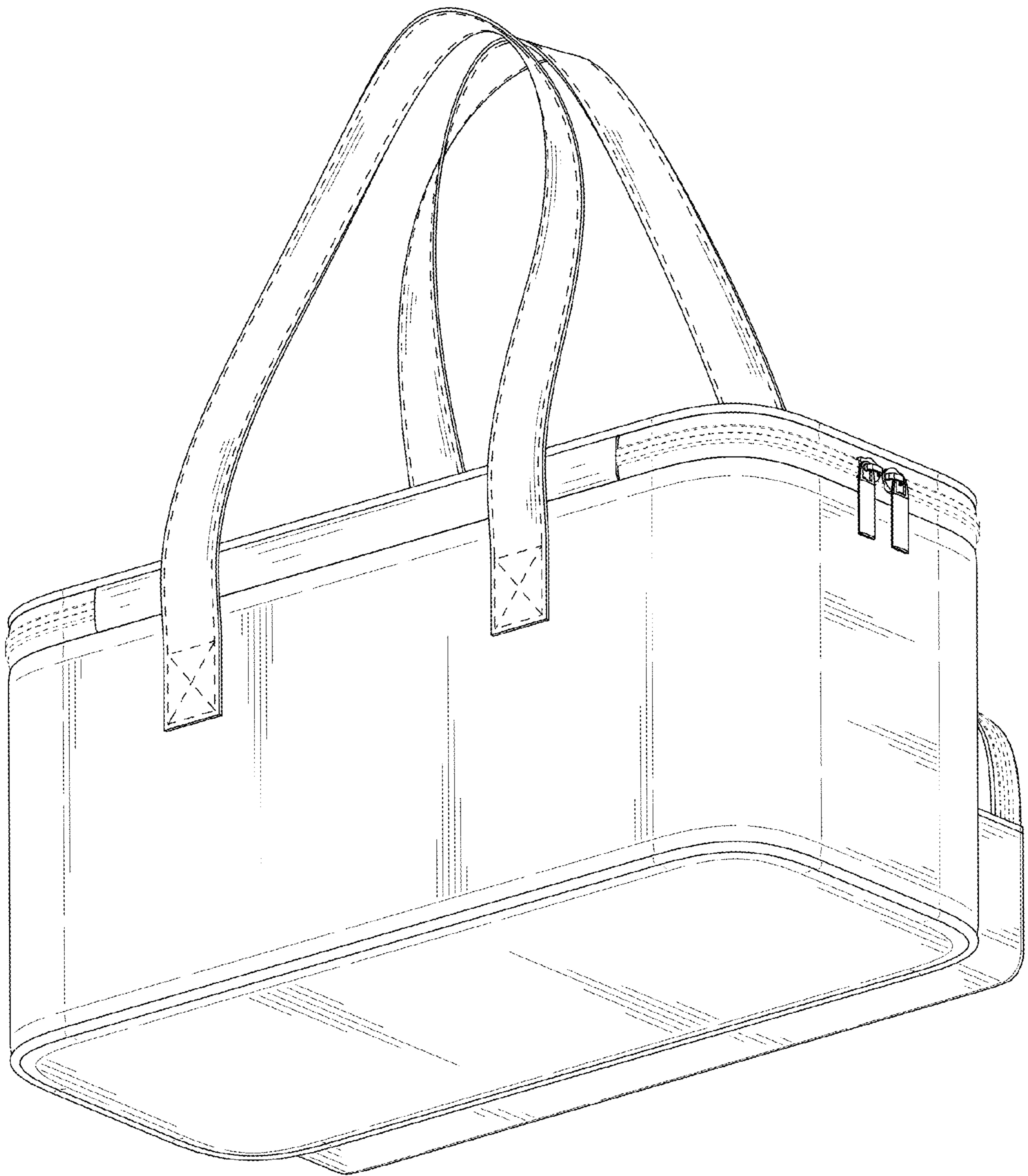


FIG. 2



FIG. 3

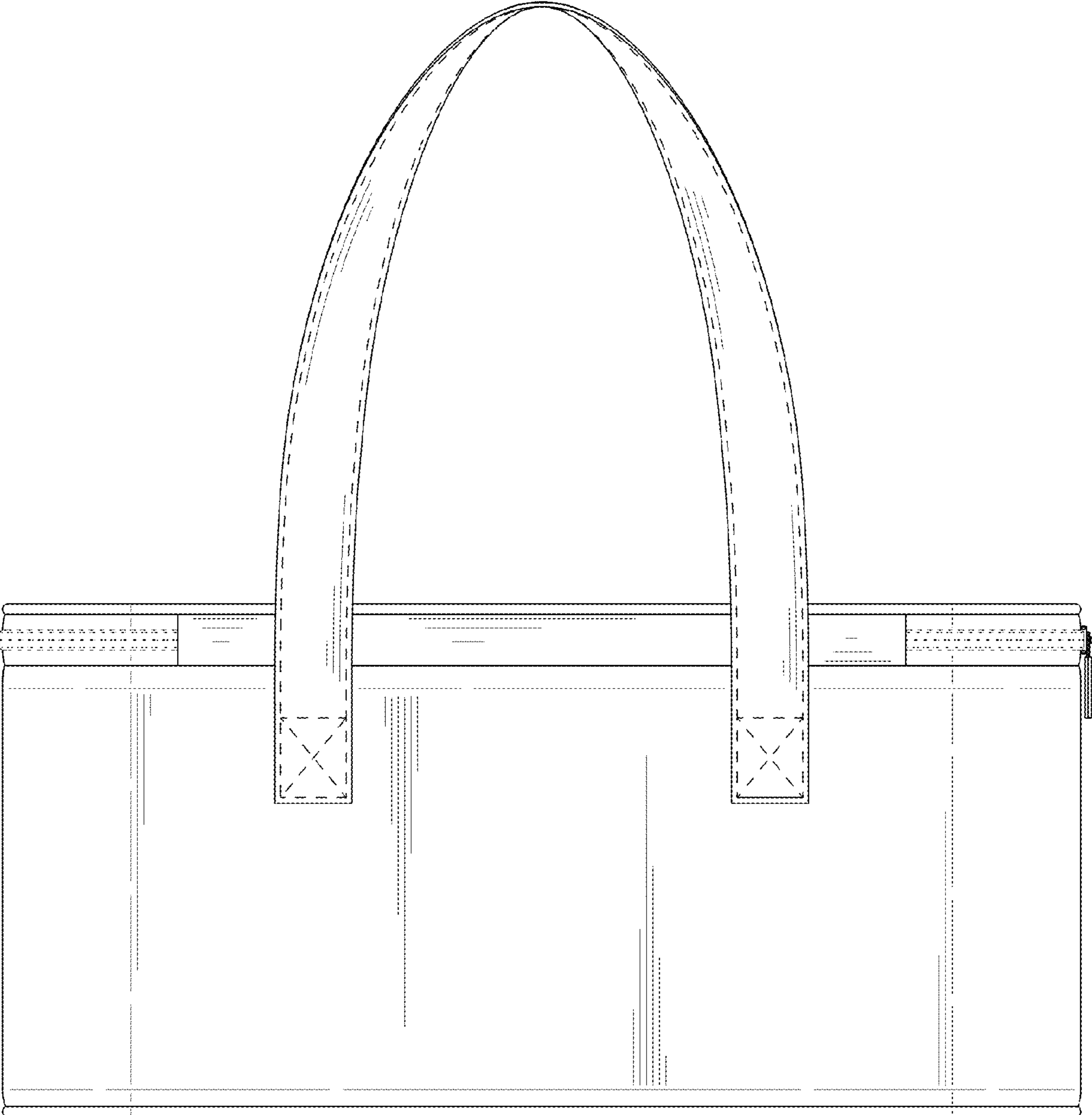


FIG. 4

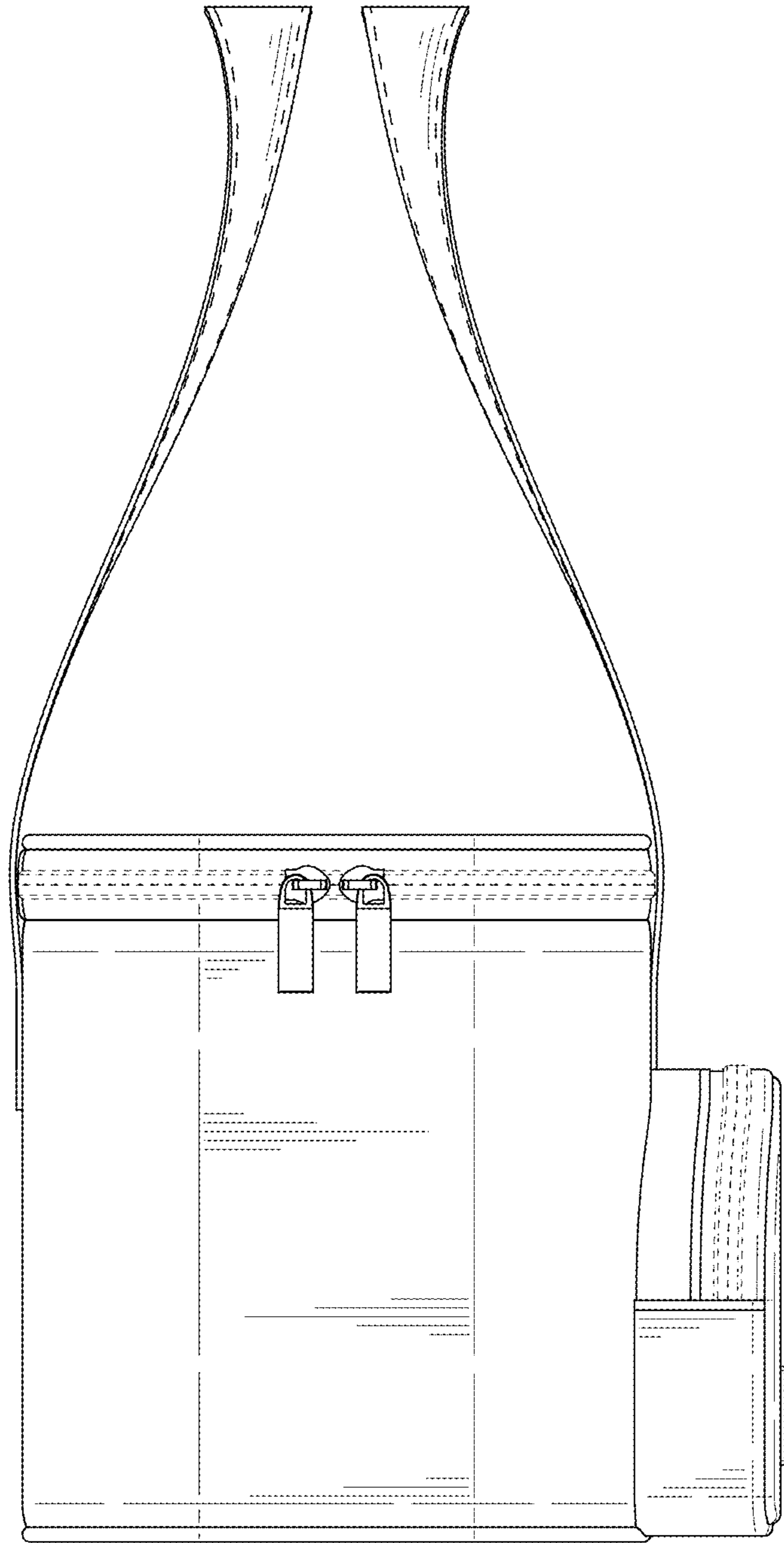


FIG. 5

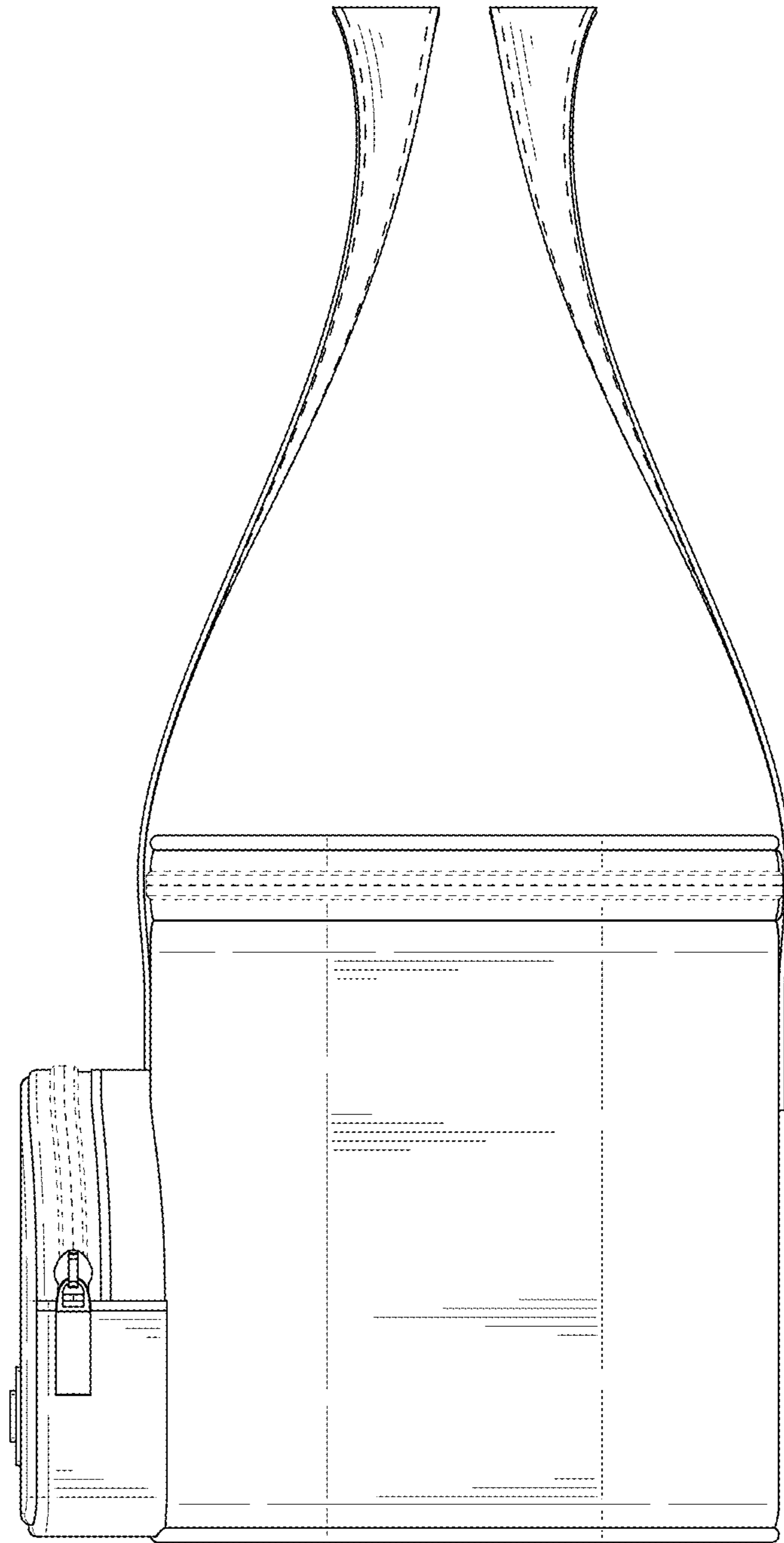


FIG. 6

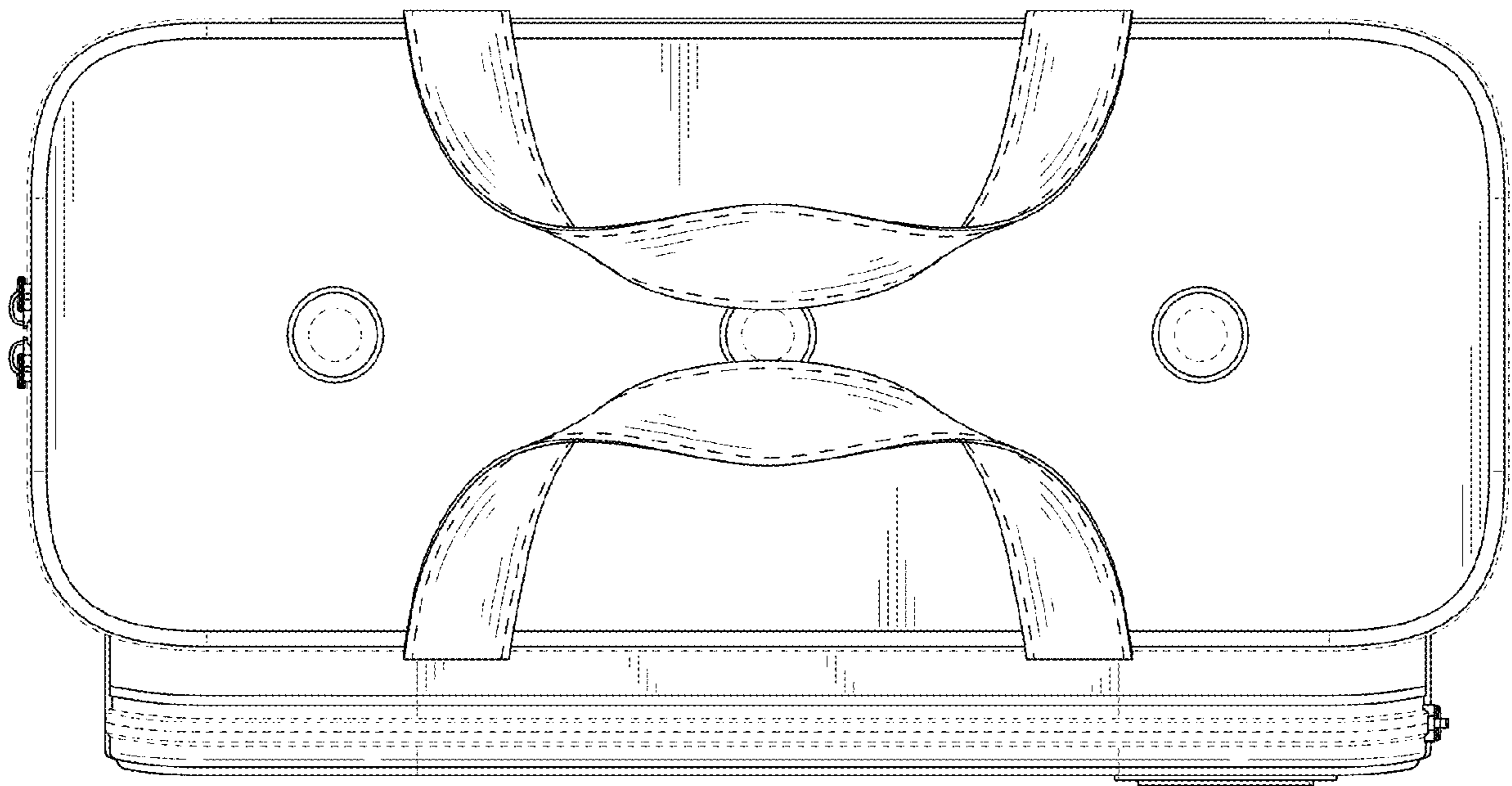


FIG. 7

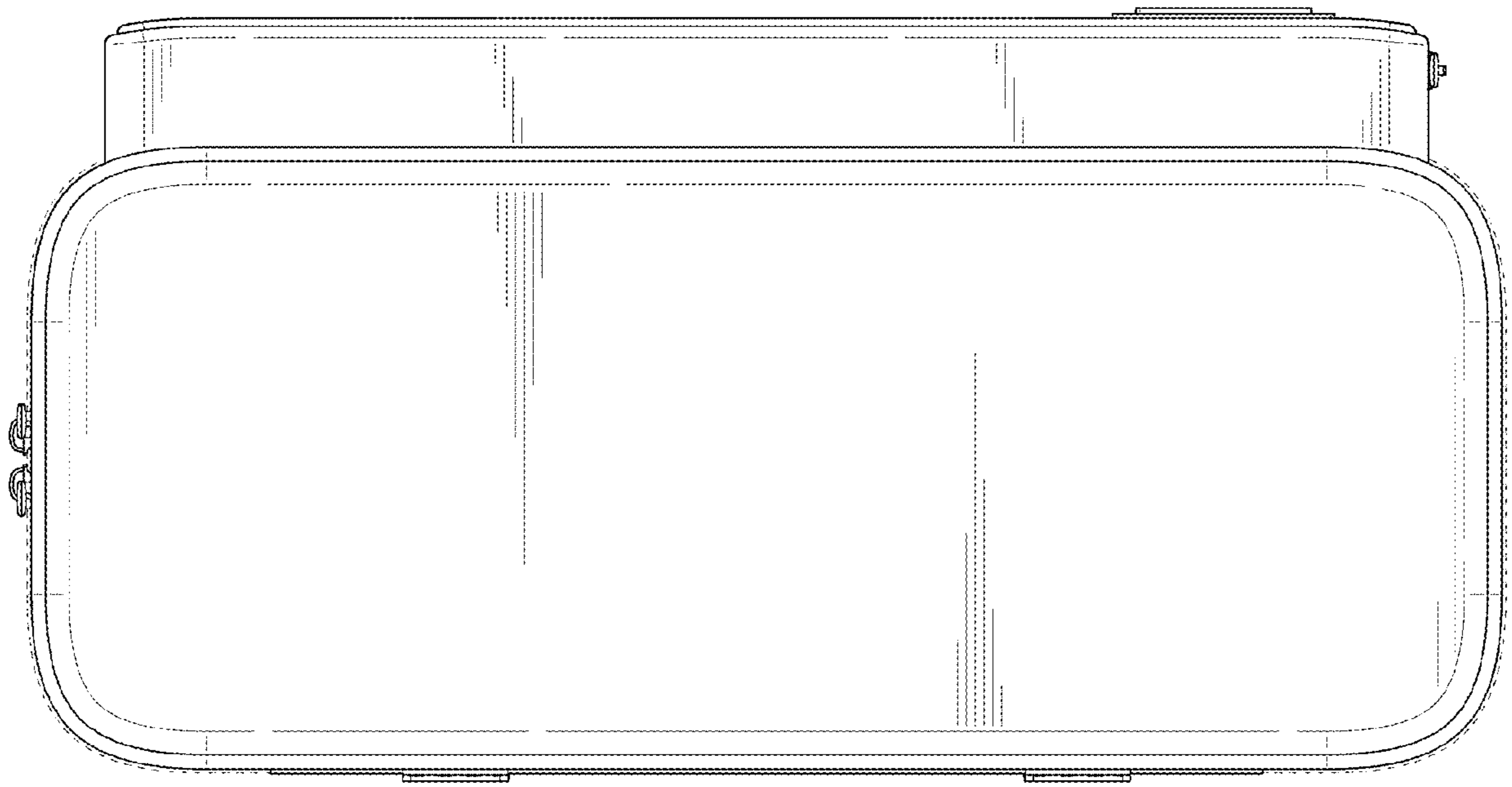


FIG. 8