



US00D915069S

(12) **United States Design Patent**  
**Tonelli**

(10) **Patent No.:** **US D915,069 S**

(45) **Date of Patent:** **\*\* Apr. 6, 2021**

- (54) **TRUNK**
- (71) Applicant: **G.T. LINE S.R.L.**, Localita'  
Crespellano (IT)
- (72) Inventor: **Massimo Tonelli**, Bologna (IT)
- (73) Assignee: **G.T. LINE S.R.L.**, Localita'  
Crespellano (IT)
- (\*\*) Term: **15 Years**

D831,350 S *	10/2018	Tonelli	.....	D3/262
D873,007 S *	1/2020	Tonelli	.....	D3/279
D876,833 S *	3/2020	Brunner	.....	D3/279
D880,155 S *	4/2020	Feng	.....	D3/276
D887,138 S *	6/2020	Feng	.....	D3/279
2020/0196725 A1 *	6/2020	Tonelli	.....	A45C 5/14

\* cited by examiner

*Primary Examiner* — April Rivas

(74) *Attorney, Agent, or Firm* — Cantor Colburn LLP

(21) Appl. No.: **29/677,928**

(22) Filed: **Jan. 24, 2019**

(30) **Foreign Application Priority Data**

Jul. 27, 2018 (EM) ..... 005516382

(51) **LOC (13) Cl.** ..... **03-01**

(52) **U.S. Cl.**  
USPC ..... **D3/279; D3/905; D3/272**

(58) **Field of Classification Search**  
USPC ..... D3/272, 273, 276, 279, 282, 294, 298,  
D3/905, 262, 302, 315

CPC . B25H 3/02; B65D 1/24; B65D 25/06; B65D  
25/20; A45C 5/14

See application file for complete search history.

(56) **References Cited**

**U.S. PATENT DOCUMENTS**

D441,954 S *	5/2001	Parker	.....	D3/273
D467,426 S *	12/2002	Hardigg	.....	D3/276
D727,620 S *	4/2015	Tonelli	.....	D3/276
D742,640 S *	11/2015	Sabbag	.....	D3/281
D810,433 S *	2/2018	Ballou	.....	D3/276
D811,744 S *	3/2018	Ballou	.....	D3/279

(57) **CLAIM**

I claim, the ornamental design for a trunk, as shown and described.

**DESCRIPTION**

FIG. 1 is a perspective view, taken from above, of a trunk showing my new design;

FIG. 2 is a front view thereof;

FIG. 3 is a rear view thereof;

FIG. 4 is a left side view thereof;

FIG. 5 is a right side view thereof;

FIG. 6 is a top view thereof;

FIG. 7 is a bottom view thereof;

FIG. 8 is a perspective view thereof, taken from below;

FIG. 9 is a perspective view, taken from above, of the trunk in another embodiment;

FIG. 10 is a front perspective view thereof;

FIG. 11 is a rear view thereof;

FIG. 12 is a left side view thereof;

FIG. 13 is a right side view thereof;

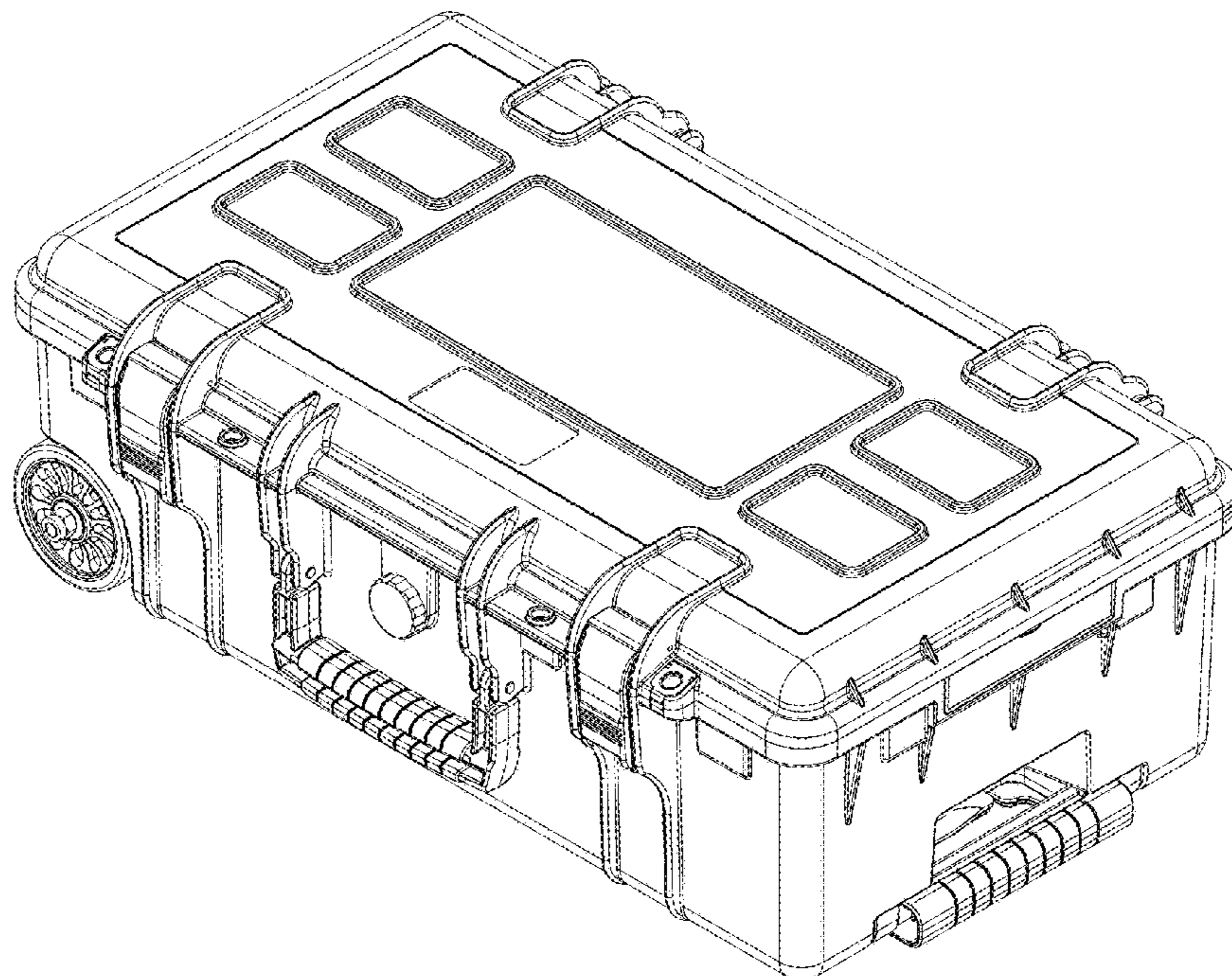
FIG. 14 is a top view thereof;

FIG. 15 is a bottom view thereof; and,

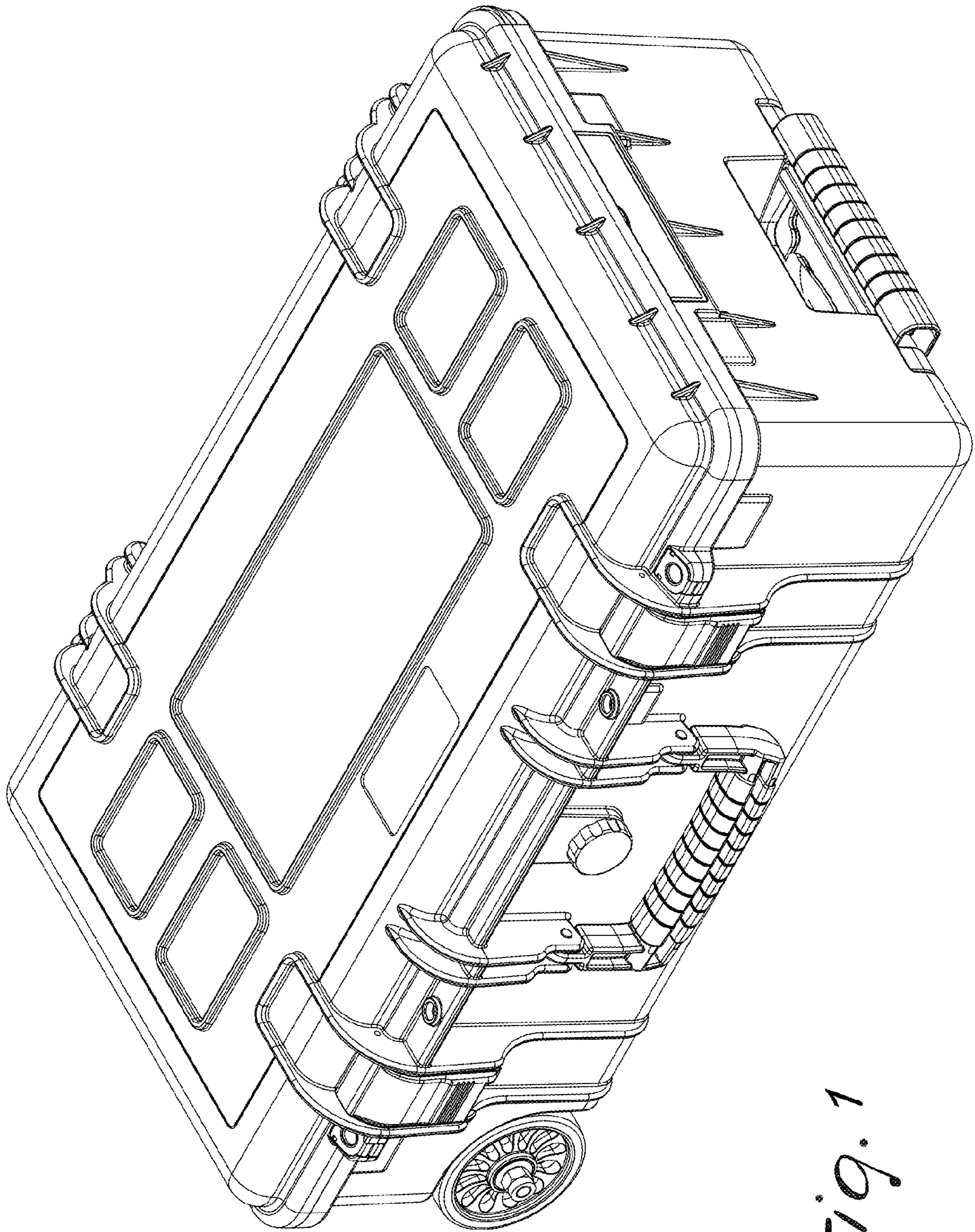
FIG. 16 is a perspective view thereof, taken from below.

The broken lines illustrate portions of the trunk and form no part of the claimed design.

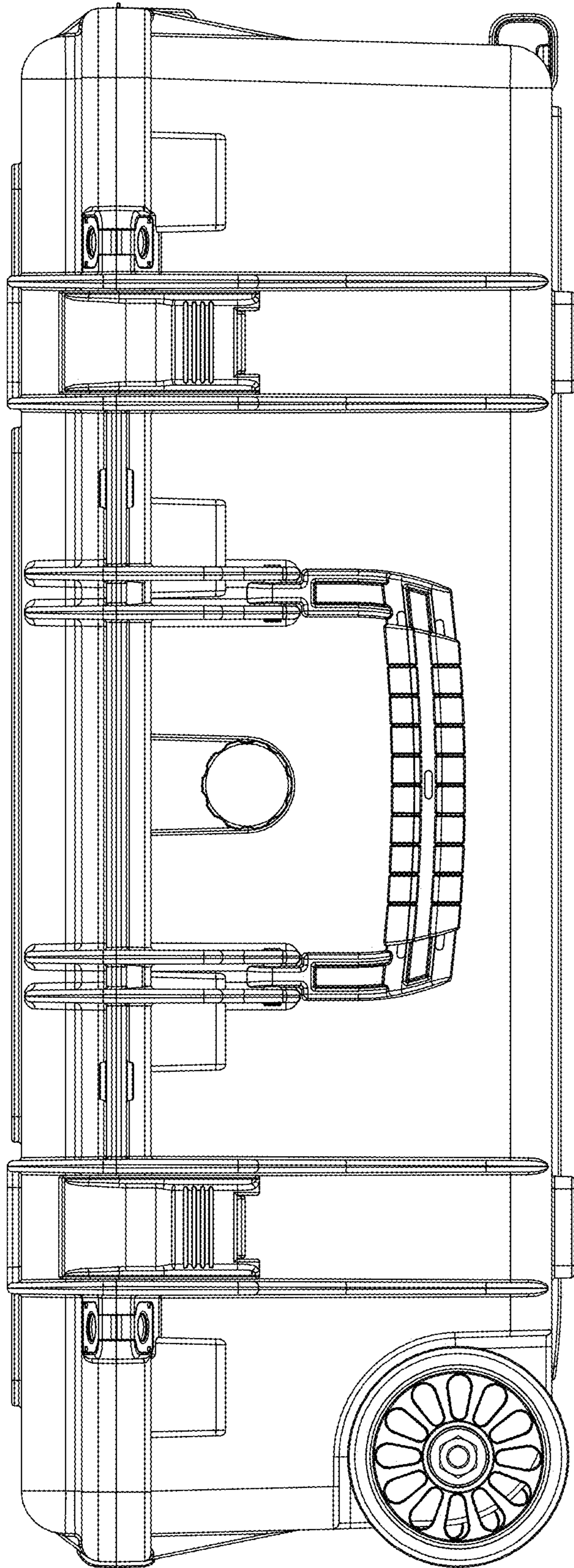
**1 Claim, 16 Drawing Sheets**





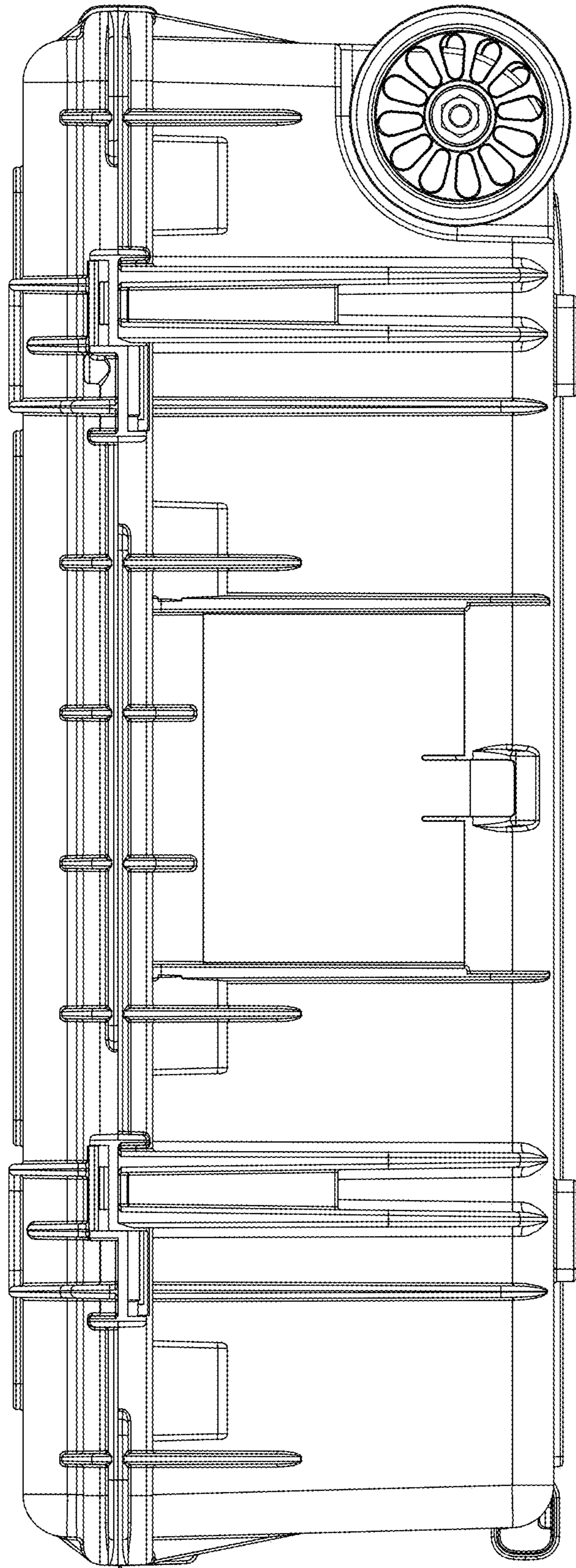


*Fig. 1*

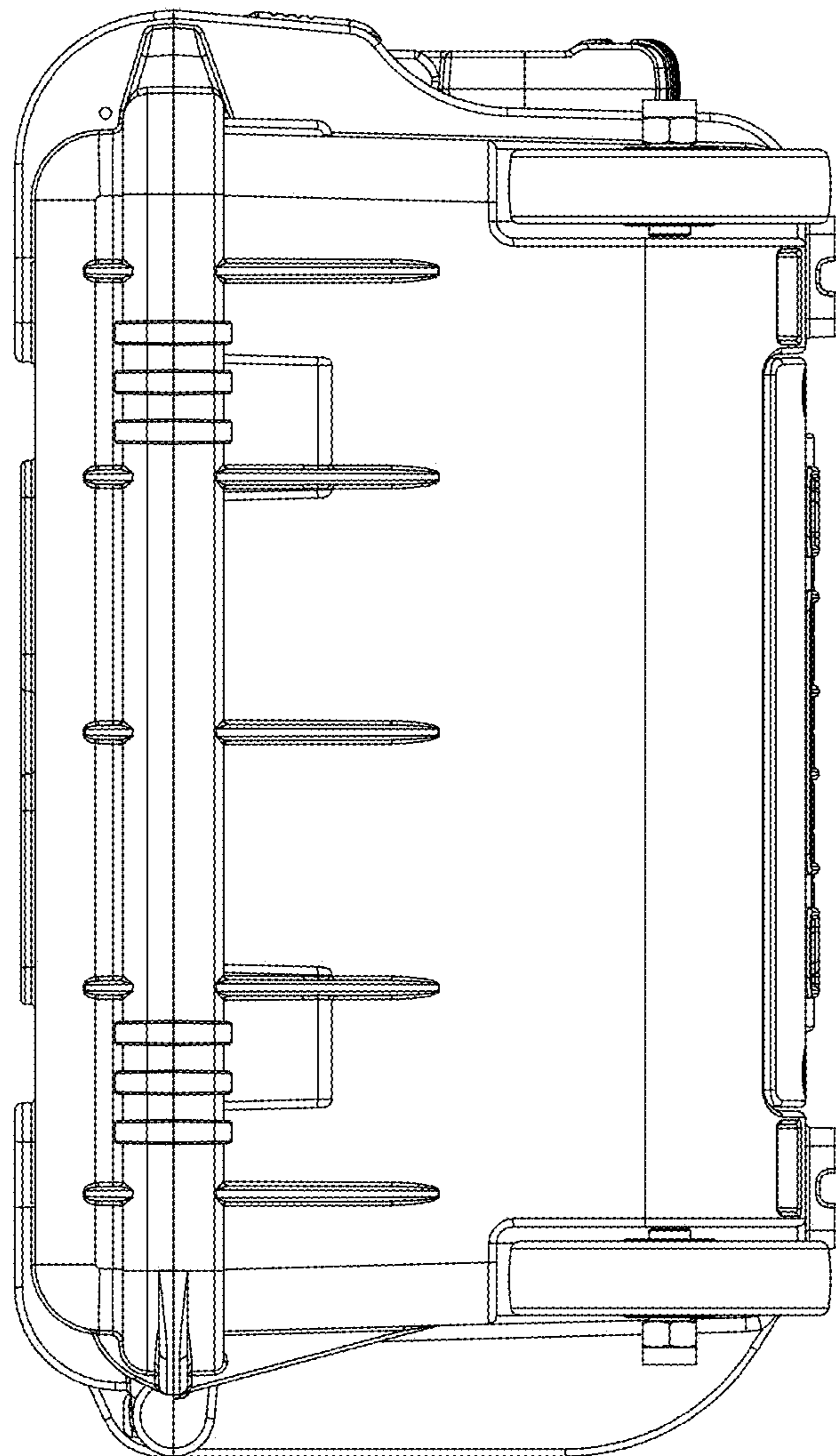


*Fig. 2*

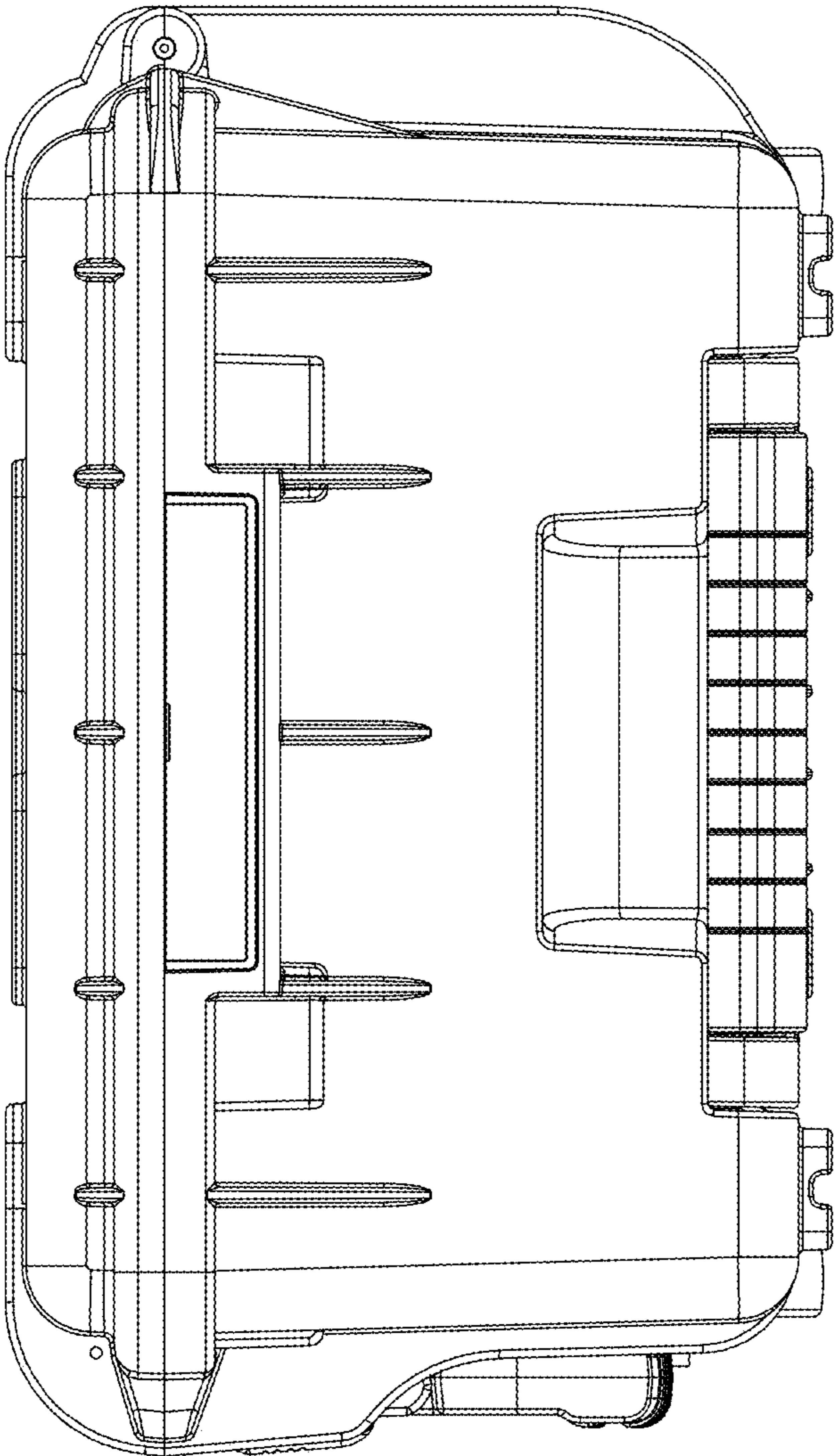




*Fig. 3*

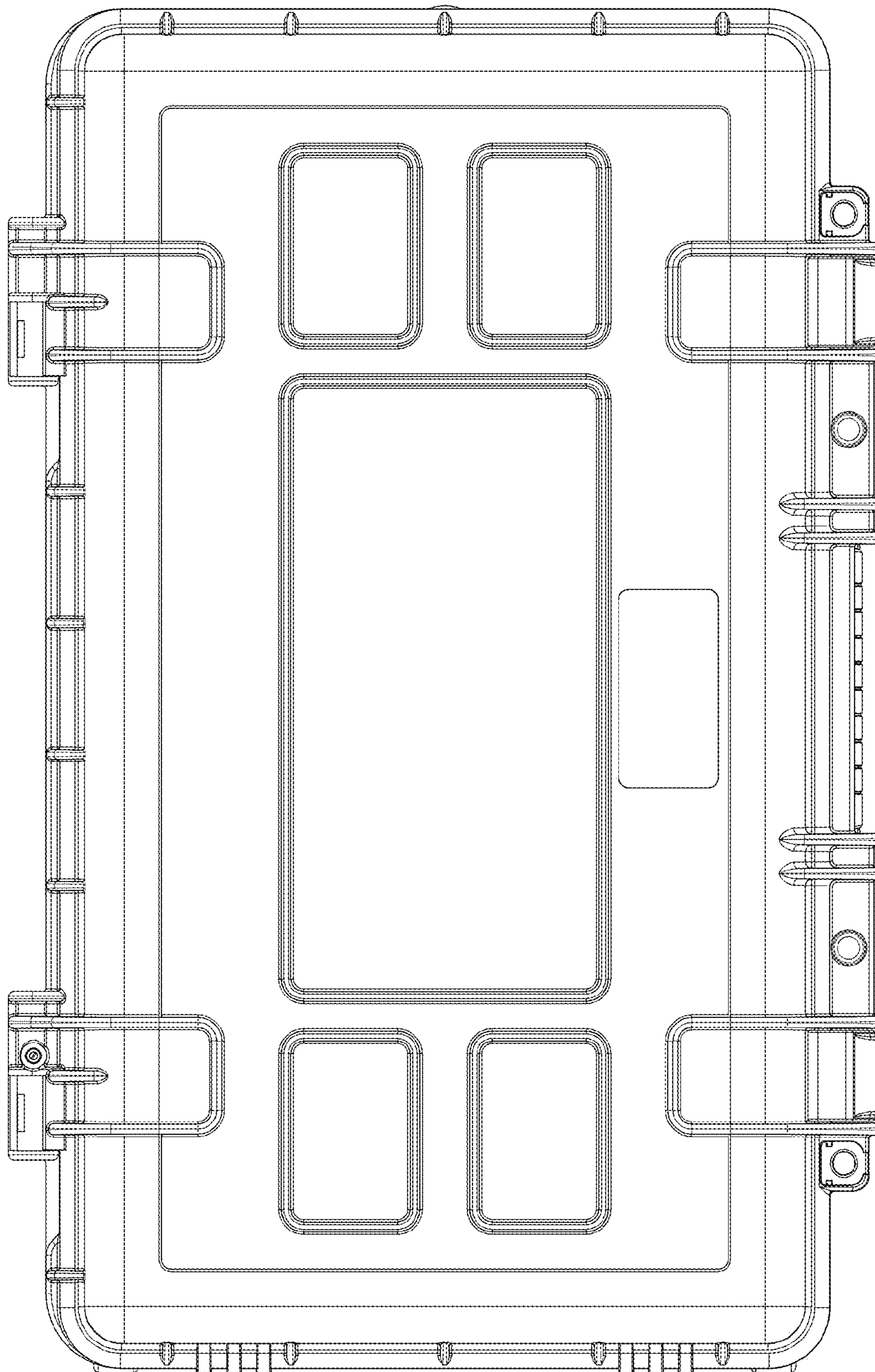


*Fig. 4*

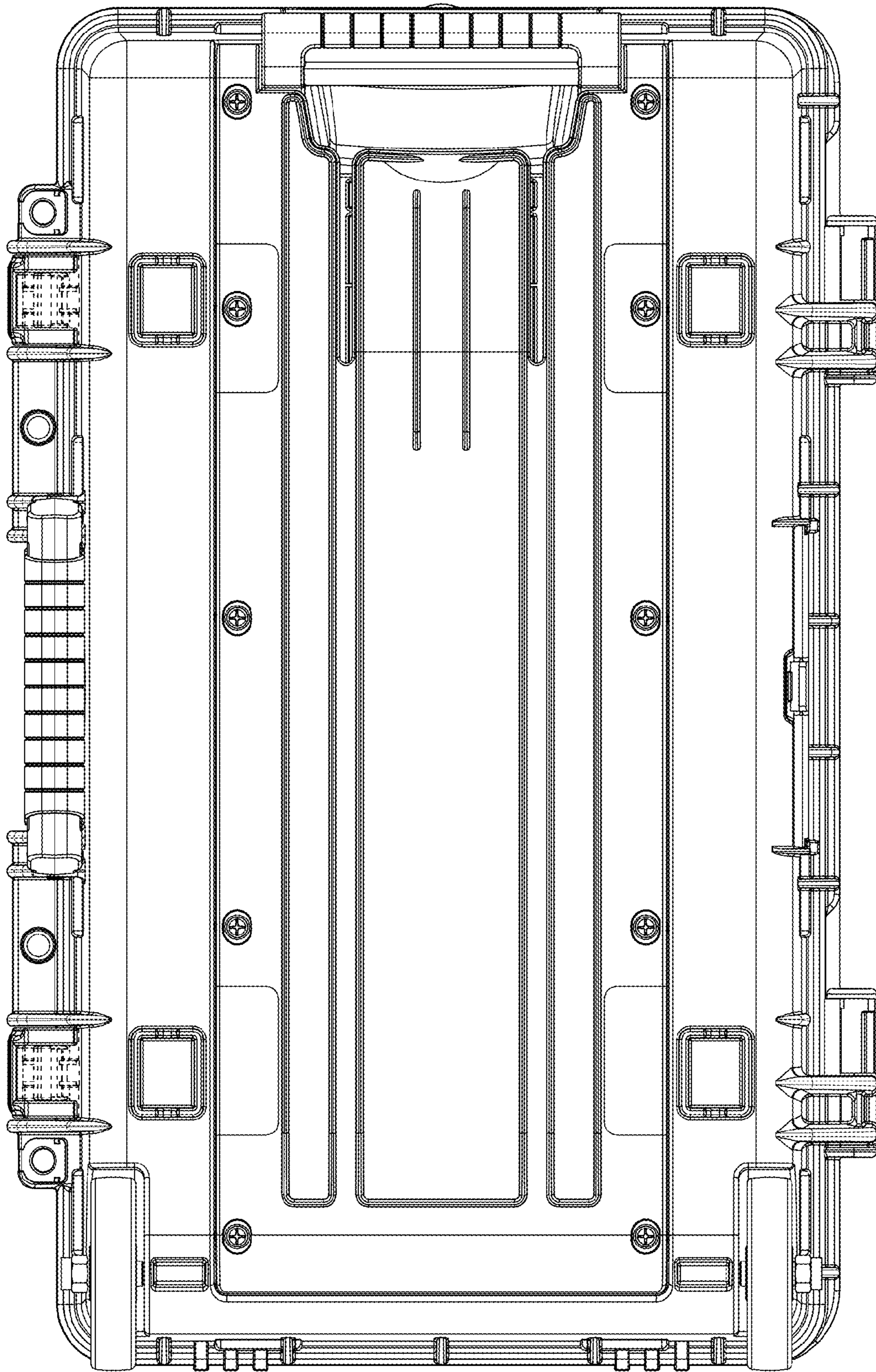


*Fig. 5*





*Fig. 6*



*Fig. 7*



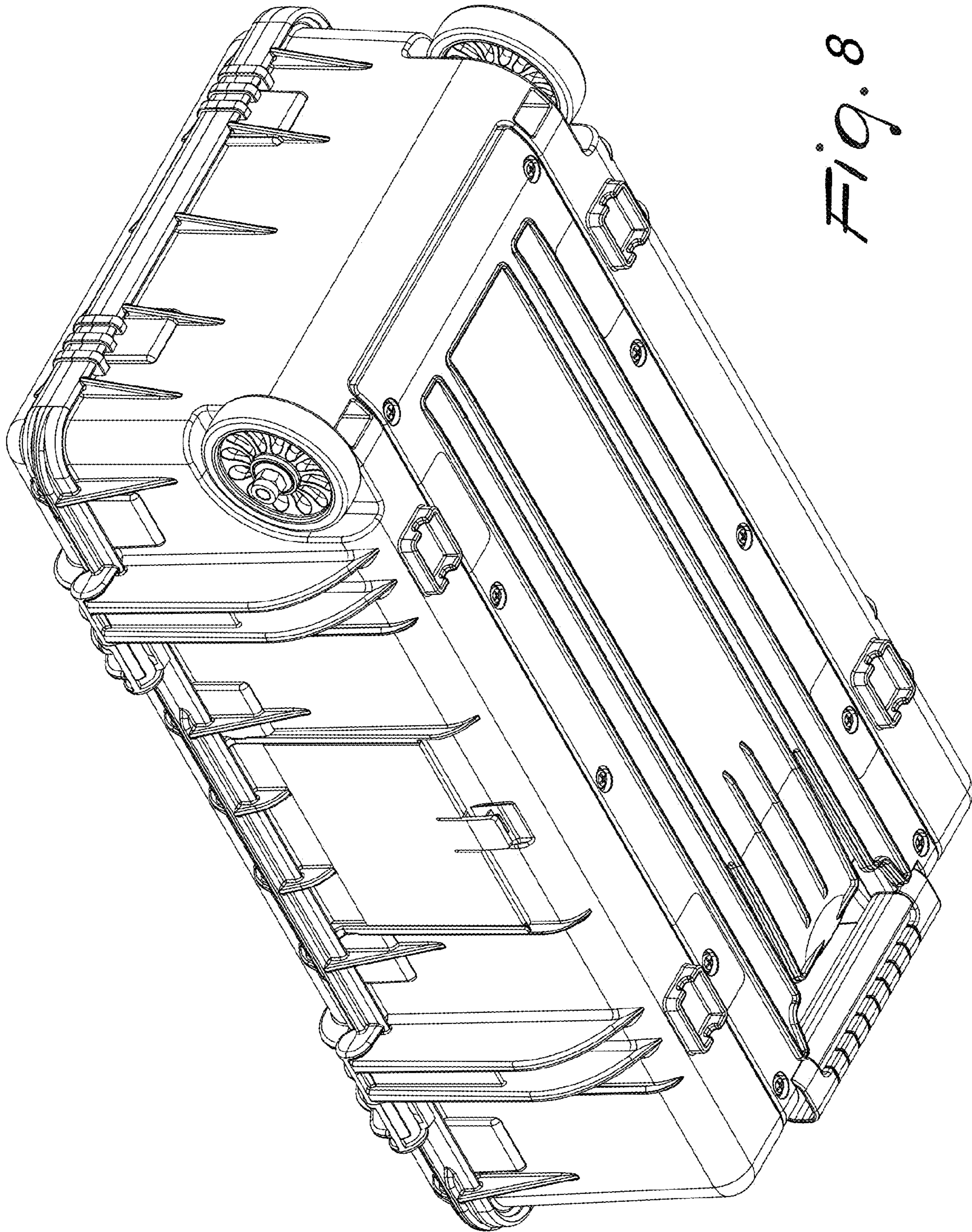


Fig. 8



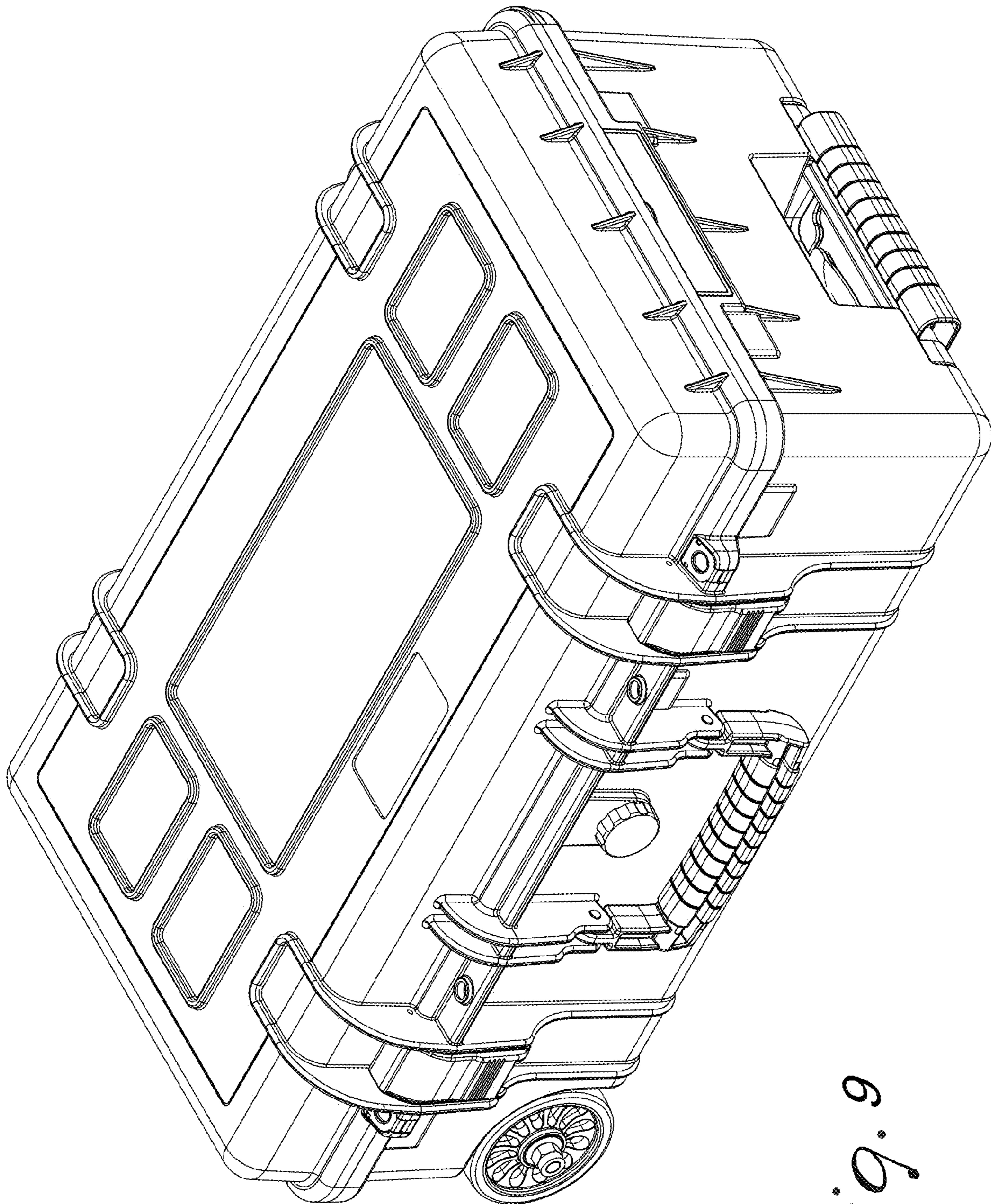
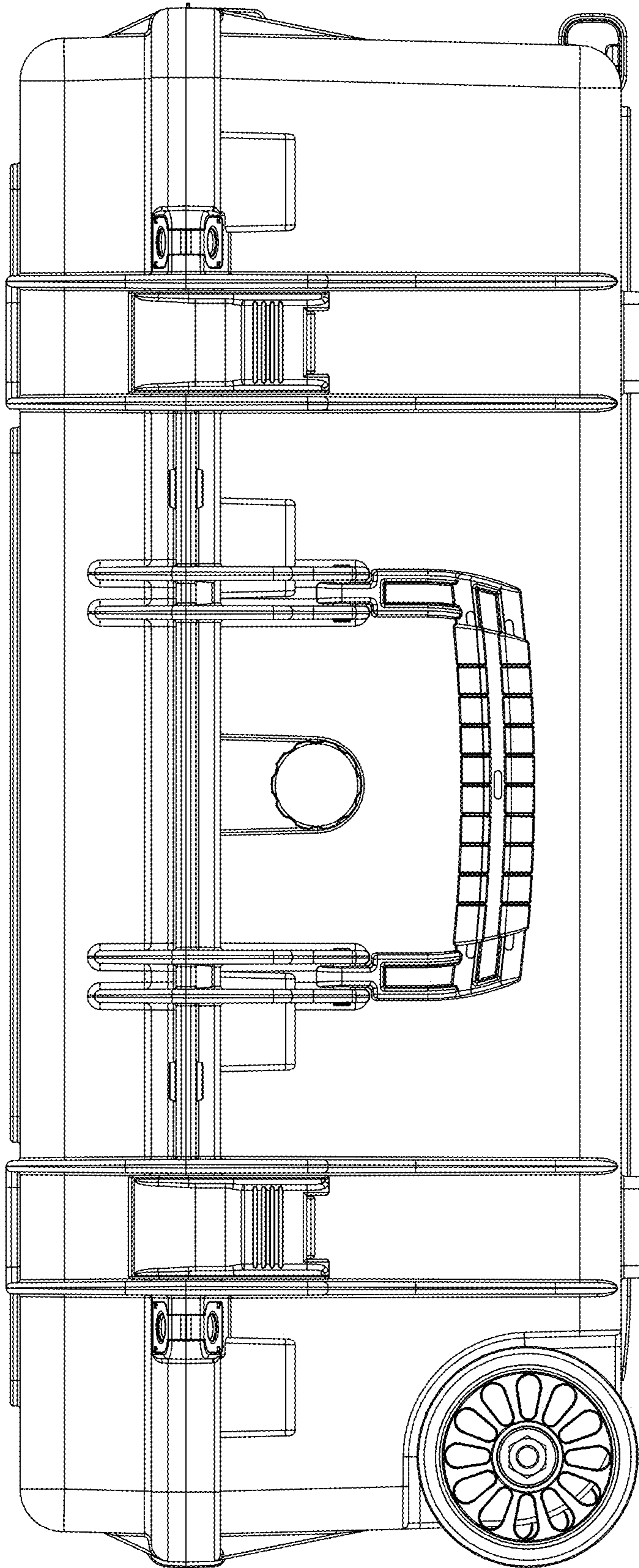
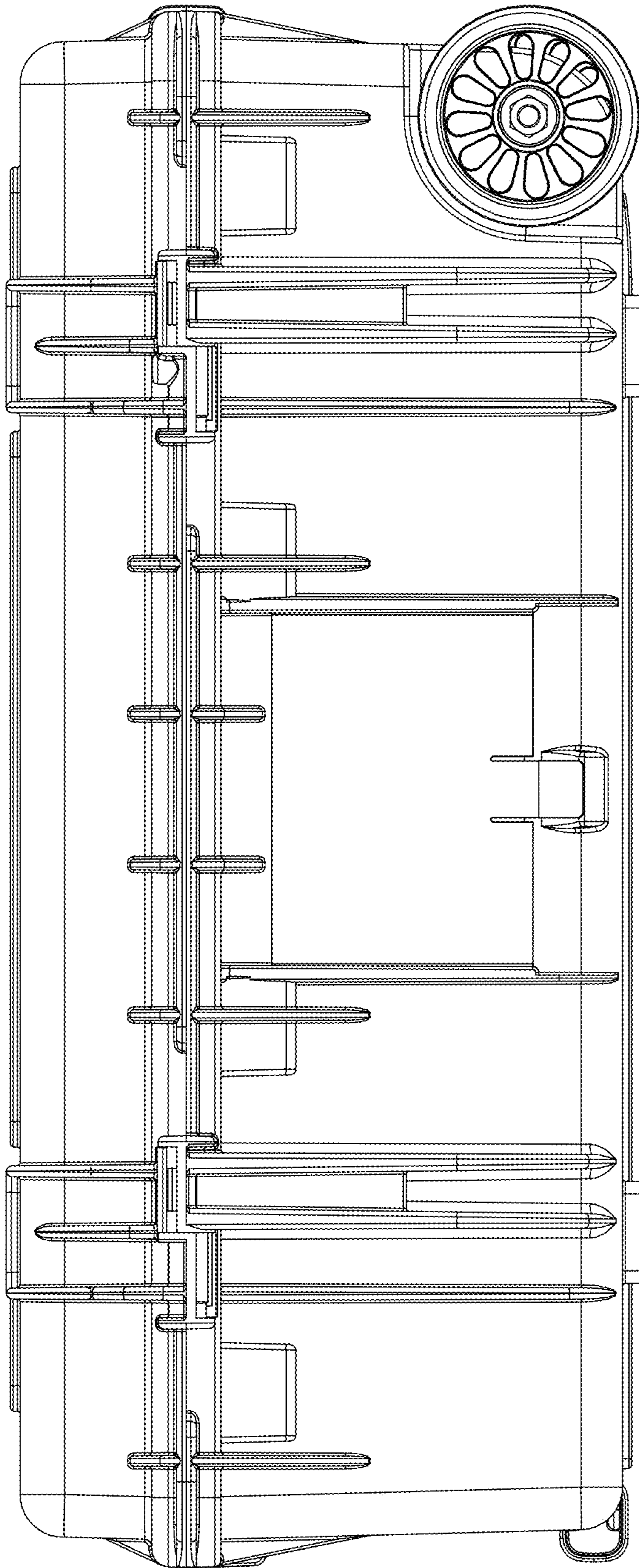


Fig. 9



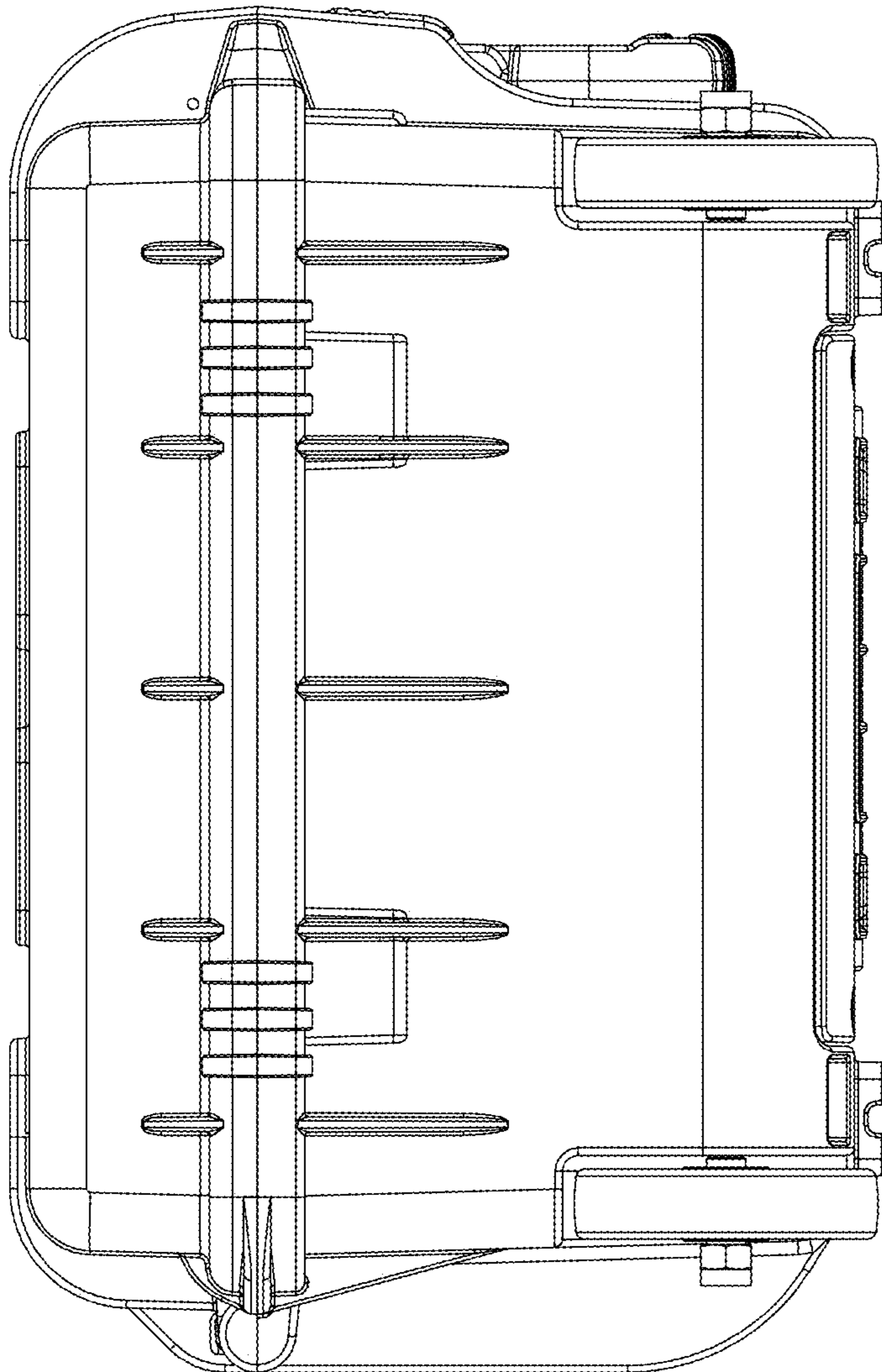


*Fig. 10*

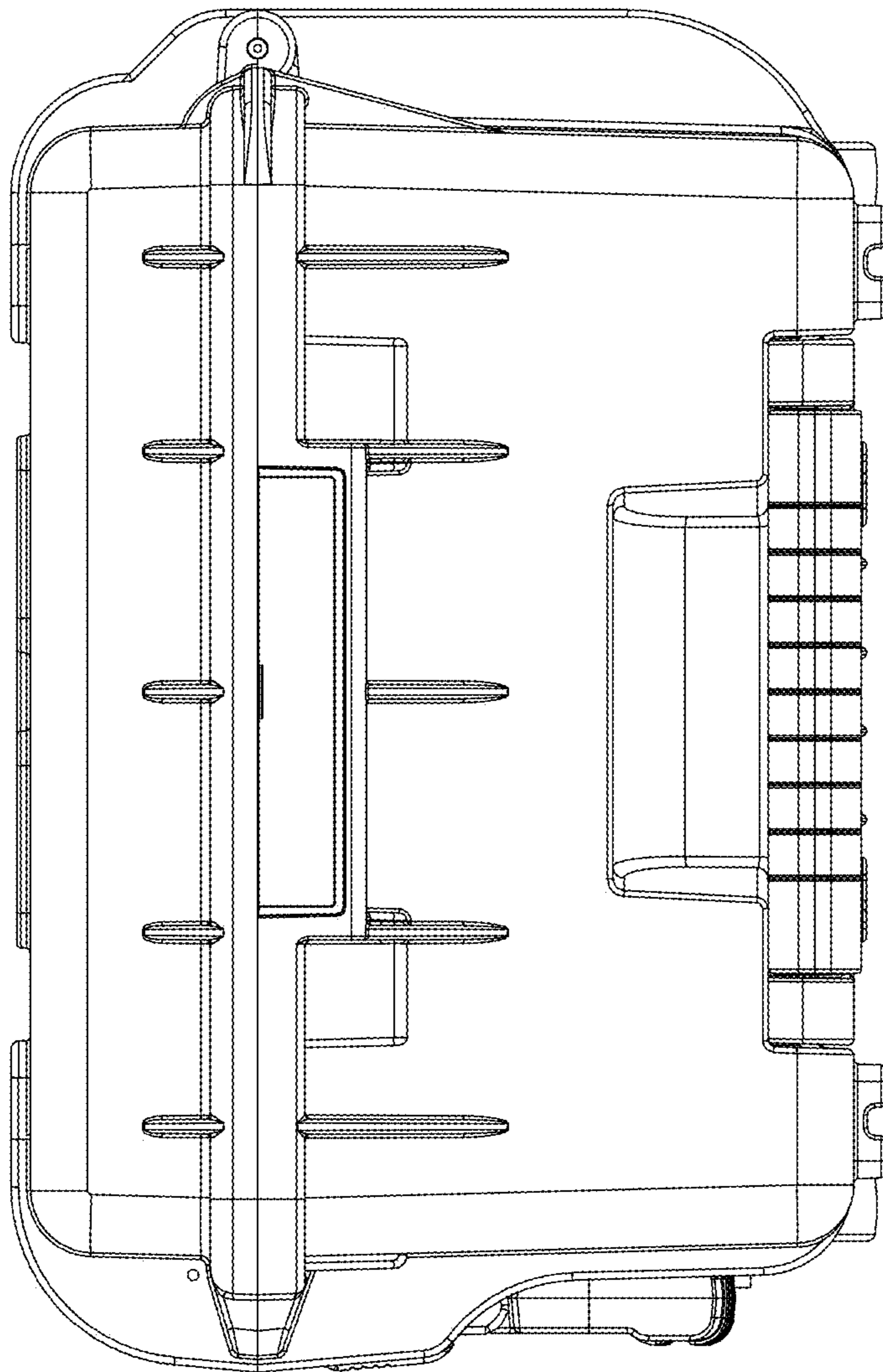


*Fig. 11*



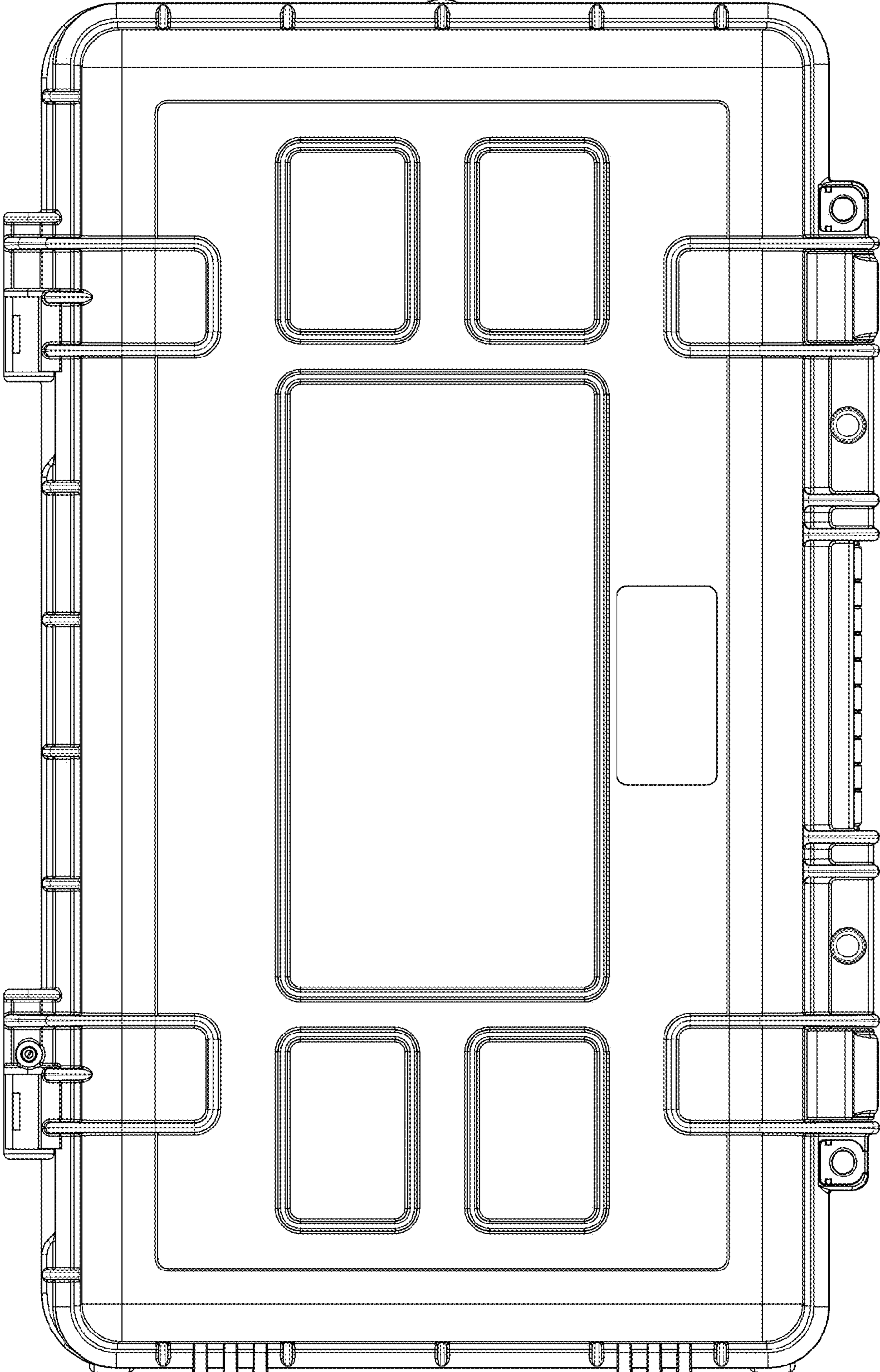


*Fig. 12*

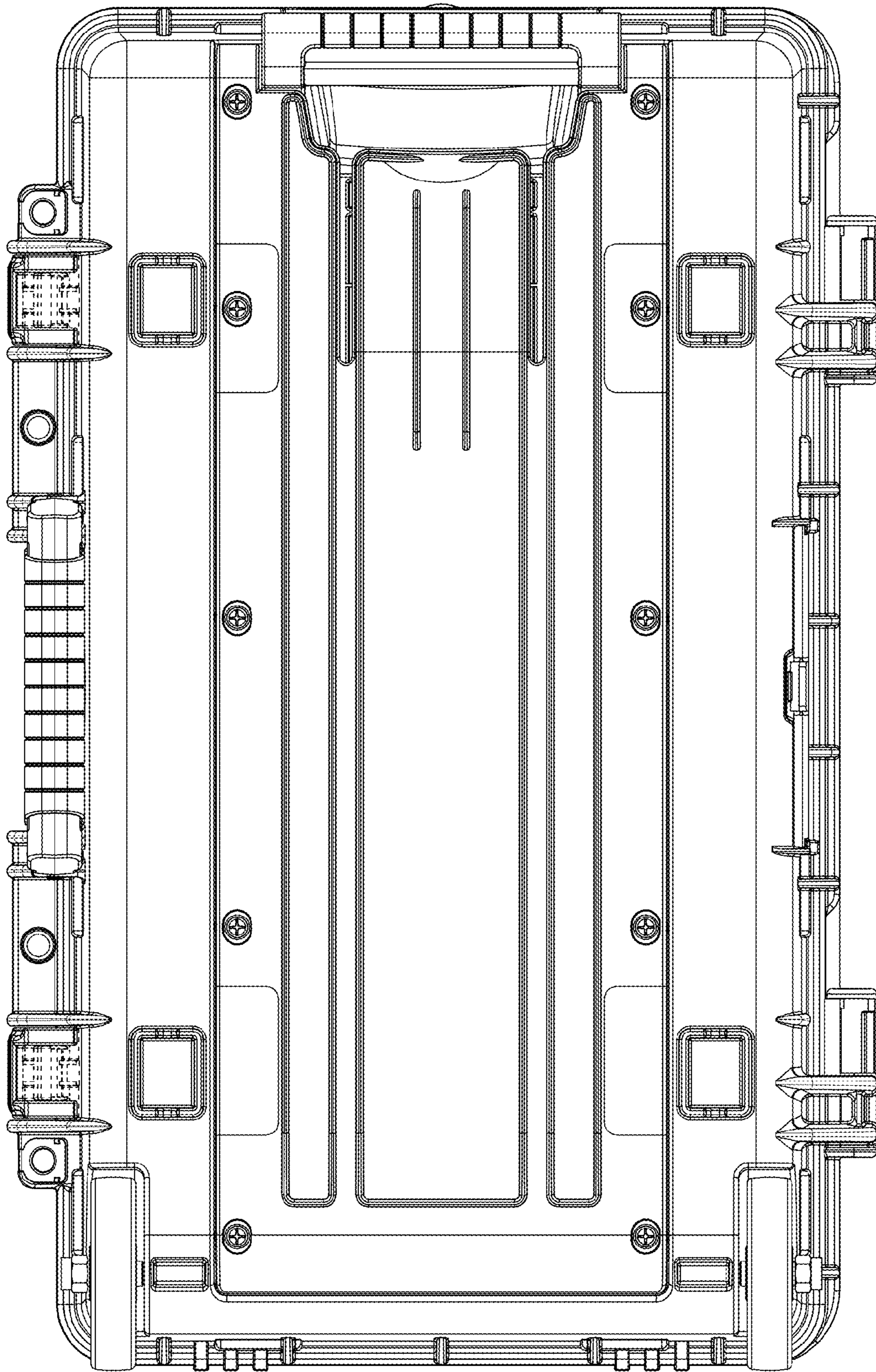


*Fig. 13*



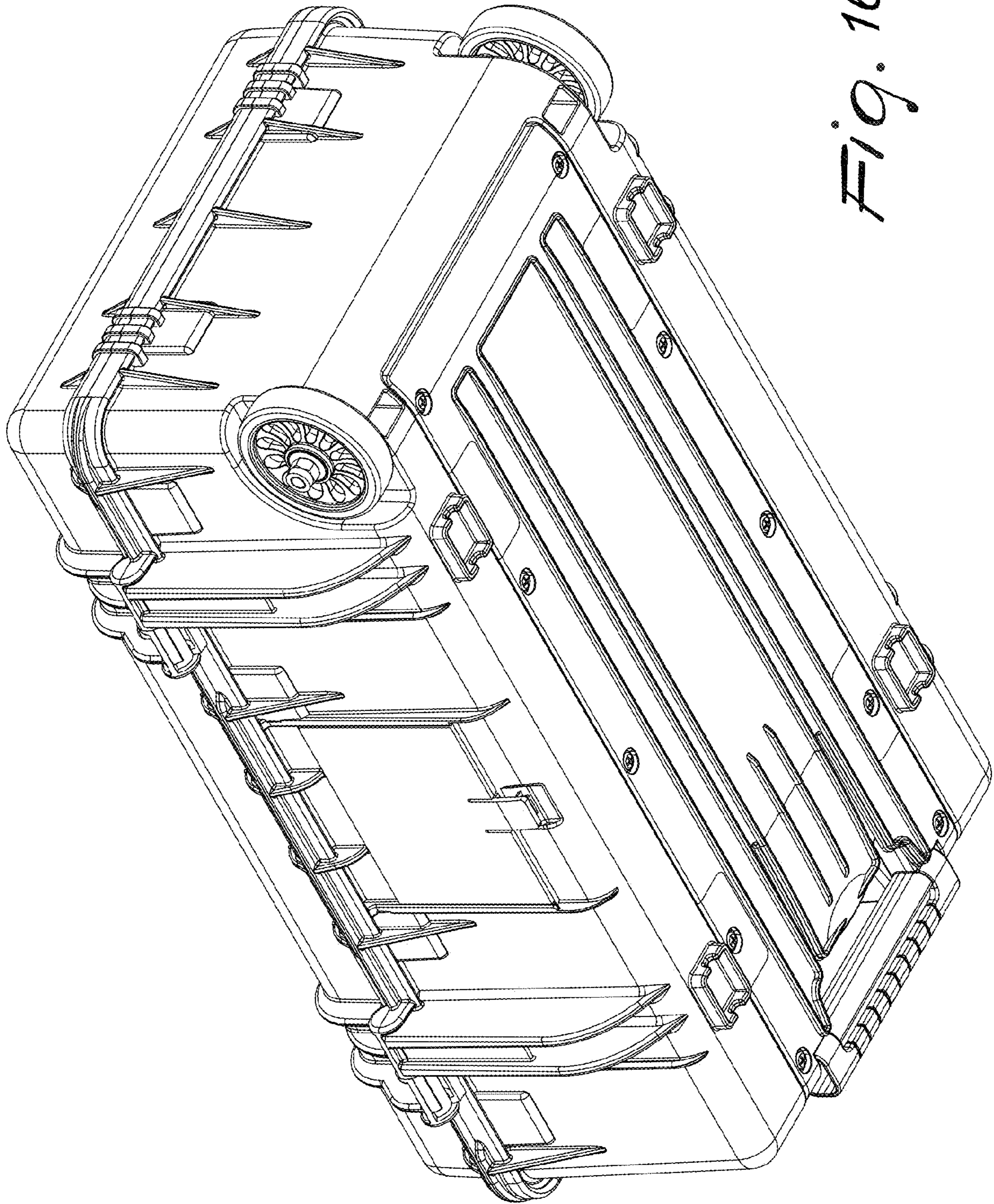


*Fig. 14*



*Fig. 15*





*Fig. 16*