



US00D915067S

(12) **United States Design Patent** (10) **Patent No.:** **US D915,067 S**  
**Sakai** (45) **Date of Patent:** **\*\* Apr. 6, 2021**

(54) **CASE FOR TOY BEADS**

(71) Applicant: **EPOCH COMPANY LTD**, Tokyo (JP)

(72) Inventor: **Ryo Sakai**, Tokyo (JP)

(73) Assignee: **EPOCH COMPANY LTD**, Tokyo (JP)

(\*\*) Term: **15 Years**

(21) Appl. No.: **29/684,531**

(22) Filed: **Mar. 21, 2019**

(30) **Foreign Application Priority Data**

Sep. 25, 2018 (JP) ..... 2018-020820  
Nov. 27, 2018 (JP) ..... 2018-025729

(51) **LOC (13) Cl.** ..... **03-01**

(52) **U.S. Cl.**  
USPC ..... **D3/271.1**

(58) **Field of Classification Search**

USPC ..... D3/200, 201, 203.1, 203.2, 204, 205,  
D3/273-274, 276, 283, 284, 294-298,  
D3/302, 315, 901, 903, 271.1; D9/414,  
D9/418, 420, 422-426, 428, 430, 432,  
D9/503, 504, 669; D7/300.2, 505, 641,  
D7/701, 703; D27/172, 183, 184, 186,  
D27/187, 189, 190, 191; D28/9, 73, 76,  
D28/78, 82, 91; D6/659, 663, 667,  
D6/671.1, 669; 206/6.1, 703, 705;  
D11/108; D21/627  
CPC ..... A45C 11/05; A45C 11/16; A45C 11/34;  
A45C 11/36; A45C 13/005; A45D 33/00;  
A45D 33/003; A45D 33/006; A45D  
33/24; B65D 1/22; B65D 2585/08; B65D  
85/07; B65D 85/08; B65D 85/20; B65D  
85/22; B65D 85/28; A63F 2003/00747;  
A63F 2003/00757; A63F 2003/00791;  
A63F 9/06

See application file for complete search history.

(56) **References Cited**

U.S. PATENT DOCUMENTS

D145,491 S *	8/1946	Stack, Jr. ....	D28/78
D275,079 S *	8/1984	Sun .....	D11/137
D275,080 S *	8/1984	Sun .....	D11/103
D321,788 S *	11/1991	Chen .....	220/524
D431,187 S *	9/2000	Davis .....	D11/131
D438,788 S *	3/2001	Rigel .....	D9/669
D525,429 S *	7/2006	Lalwani .....	D3/271.1
D593,323 S *	6/2009	Kaspor .....	D21/627
D875,545 S *	2/2020	Bagramyan .....	D9/669
2020/0094131 A1 *	3/2020	Sakai .....	A63F 9/06

\* cited by examiner

*Primary Examiner* — Lilyana Bekic

*Assistant Examiner* — Mary Shannon Malley

(74) *Attorney, Agent, or Firm* — Fitzgerald IP Law; John K. Fitzgerald, Esq.

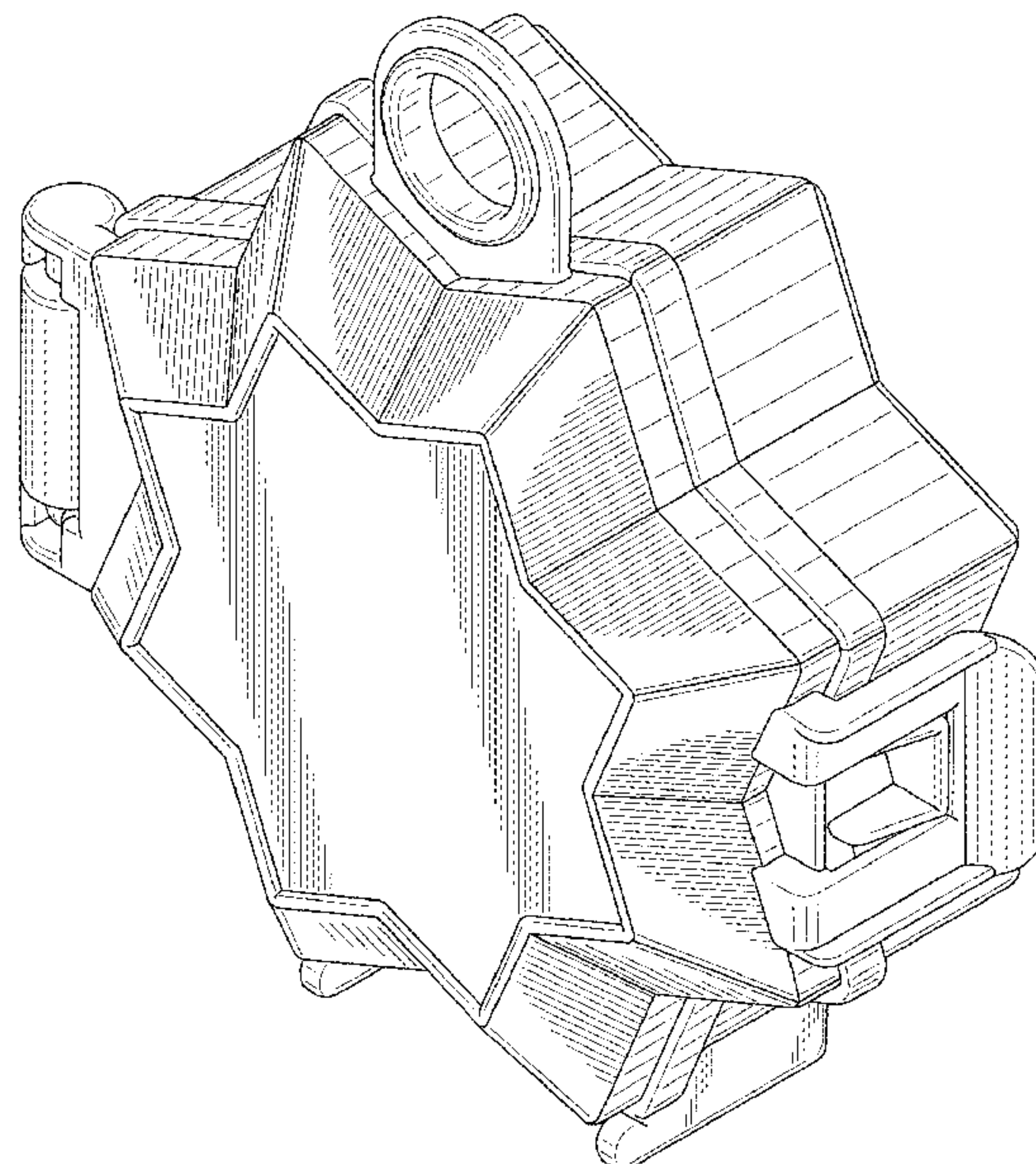
(57) **CLAIM**

The ornamental design for a case for toy beads, as shown and described.

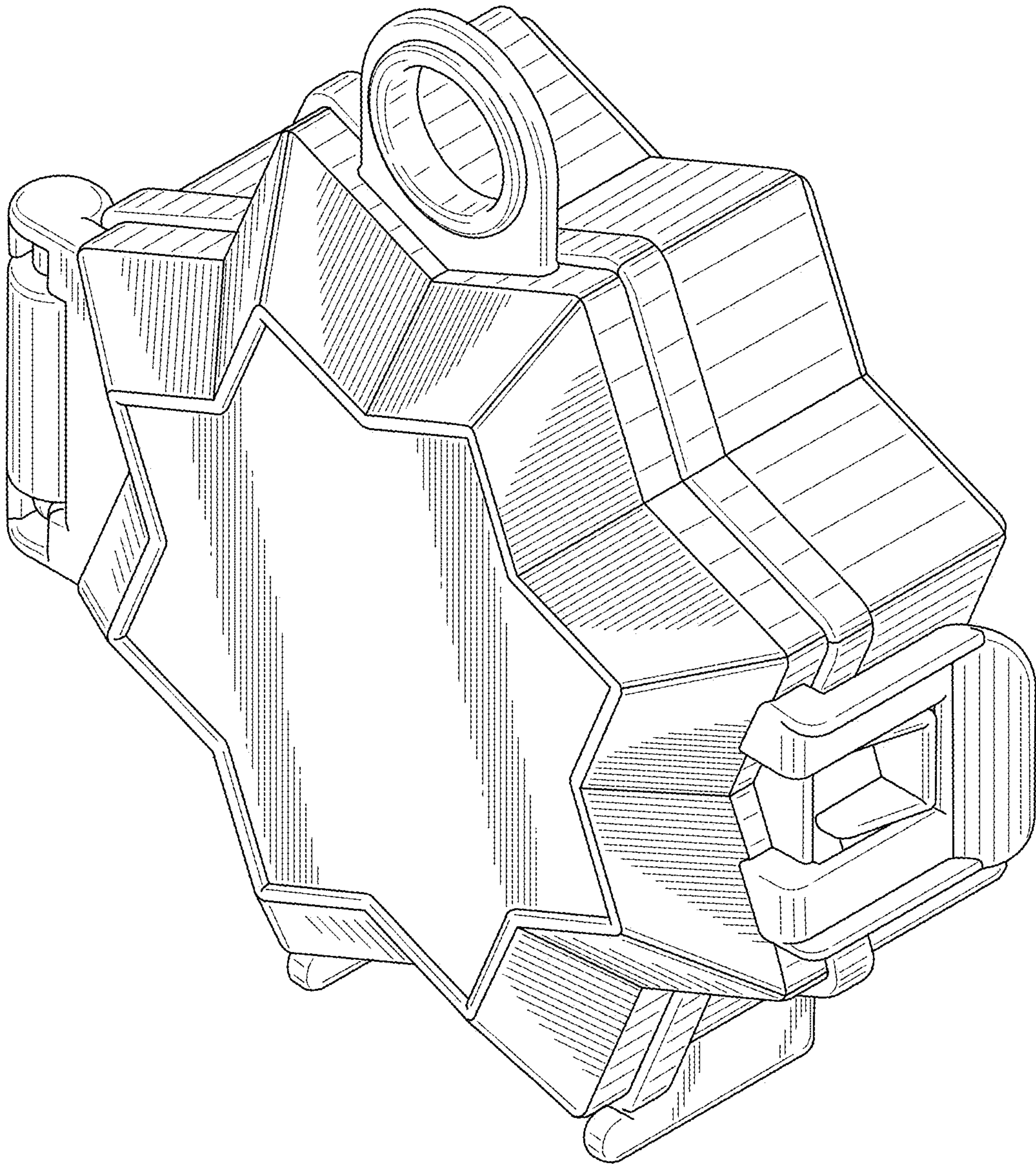
**DESCRIPTION**

FIG. 1 is a front, top, right perspective view of a case for toy beads showing my new design;  
FIG. 2 is a rear bottom, left perspective view thereof;  
FIG. 3 is a front view thereof;  
FIG. 4 is a rear view thereof;  
FIG. 5 is a top view thereof;  
FIG. 6 is a bottom view thereof;  
FIG. 7 is a right side view thereof;  
FIG. 8 is a left side view thereof; and,  
FIG. 9 is a perspective view thereof with the case for toy beads shown in an opened configuration.

**1 Claim, 9 Drawing Sheets**

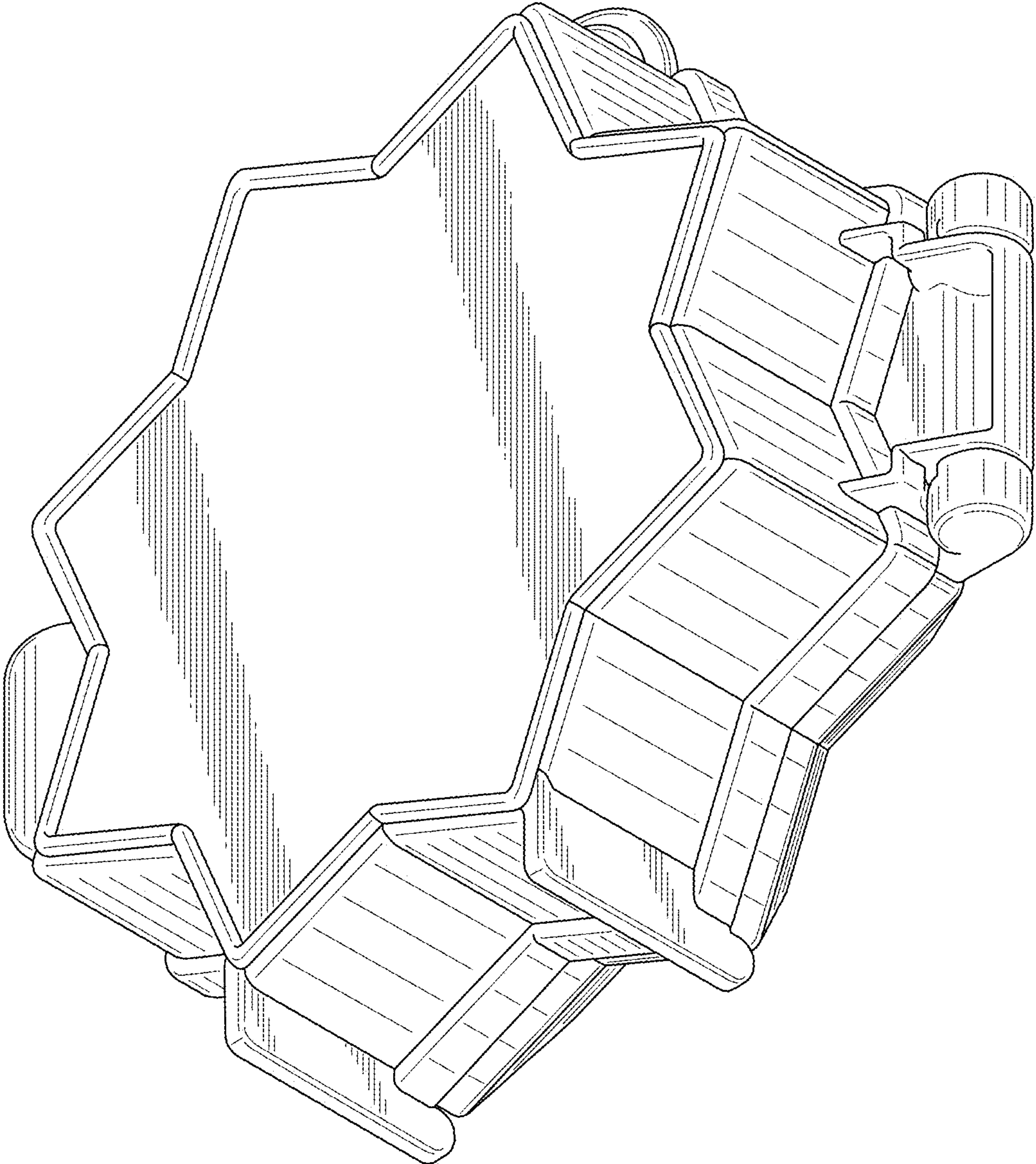


**FIG. 1**

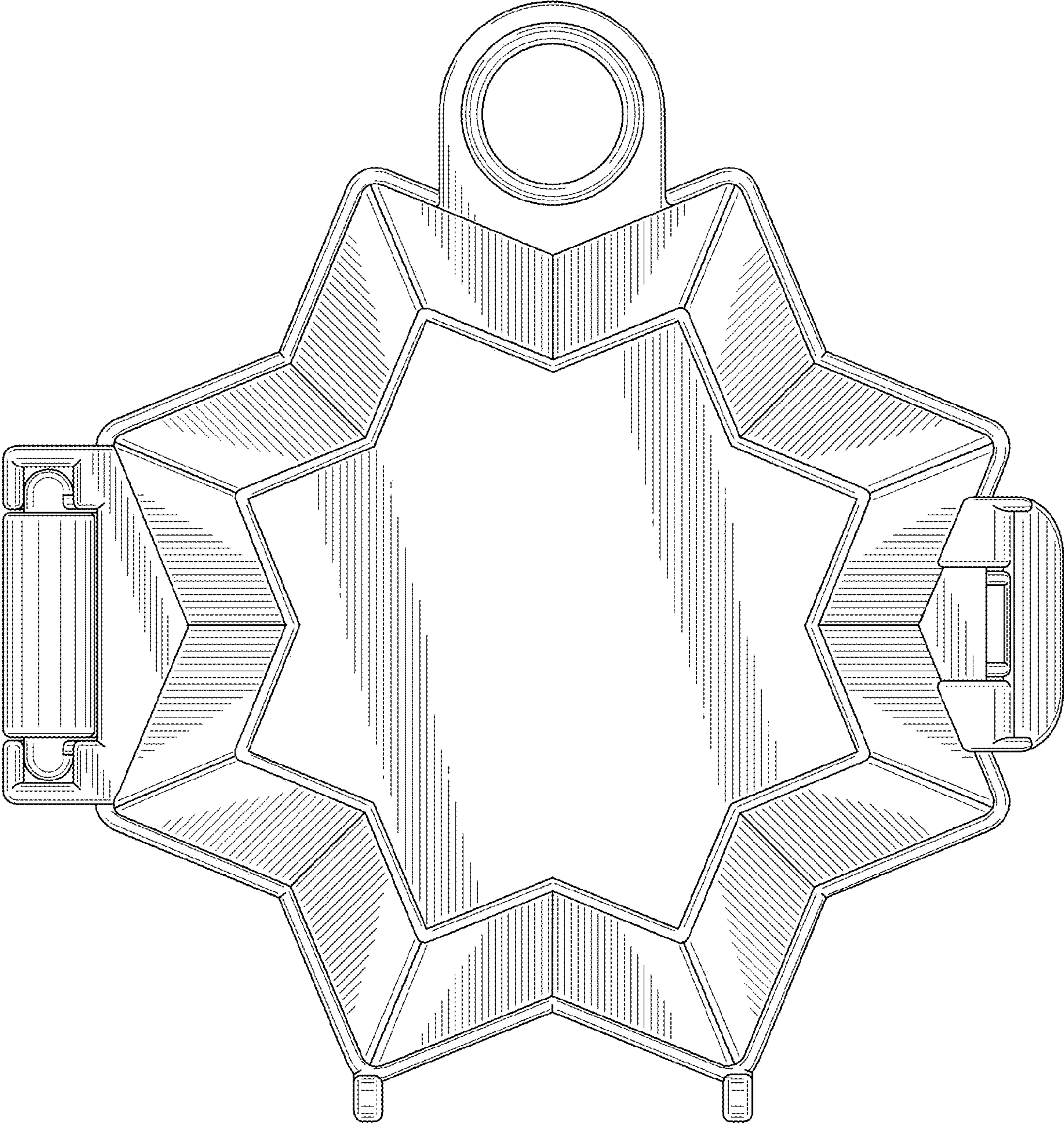




**FIG. 2**

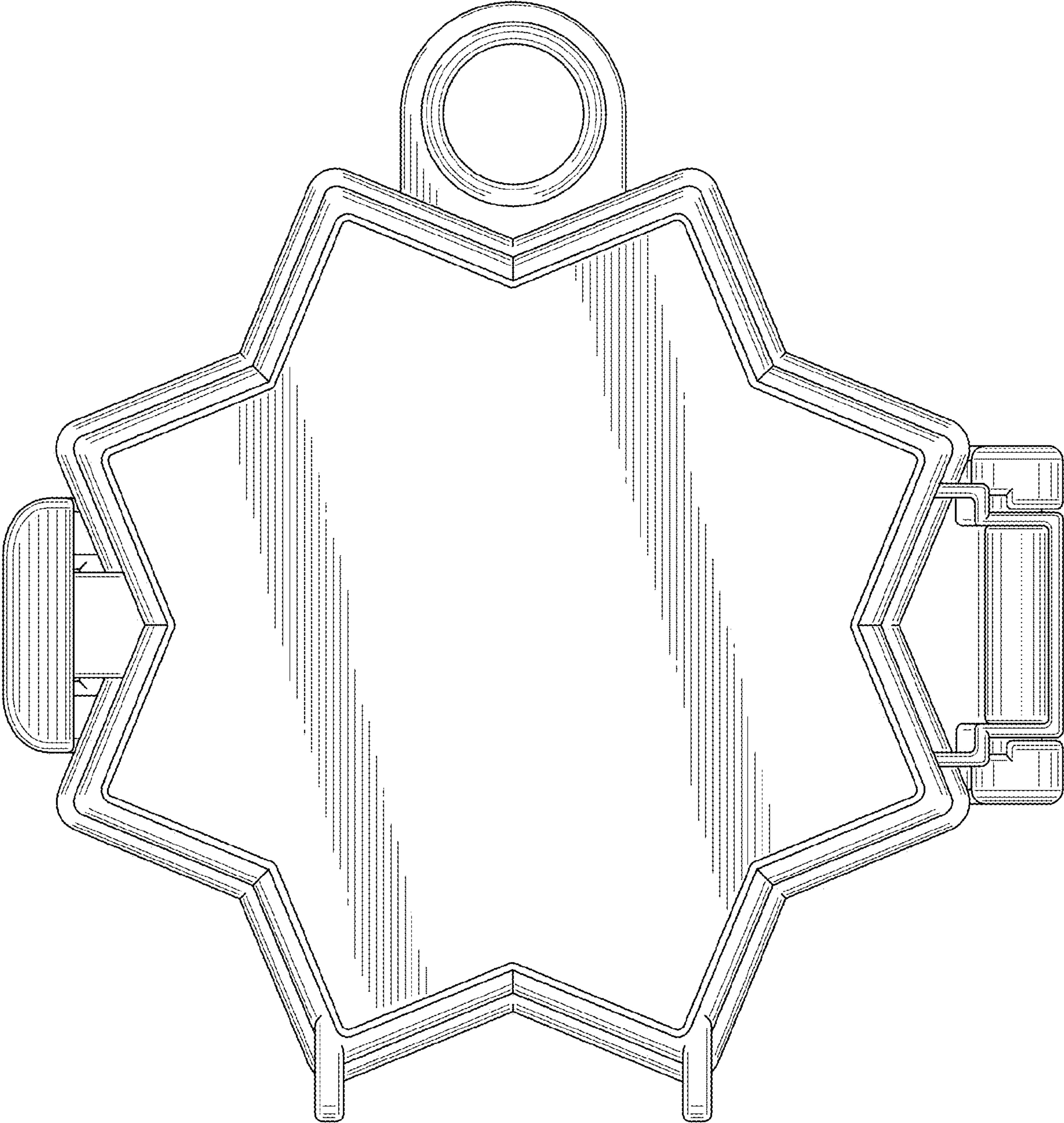


**FIG. 3**

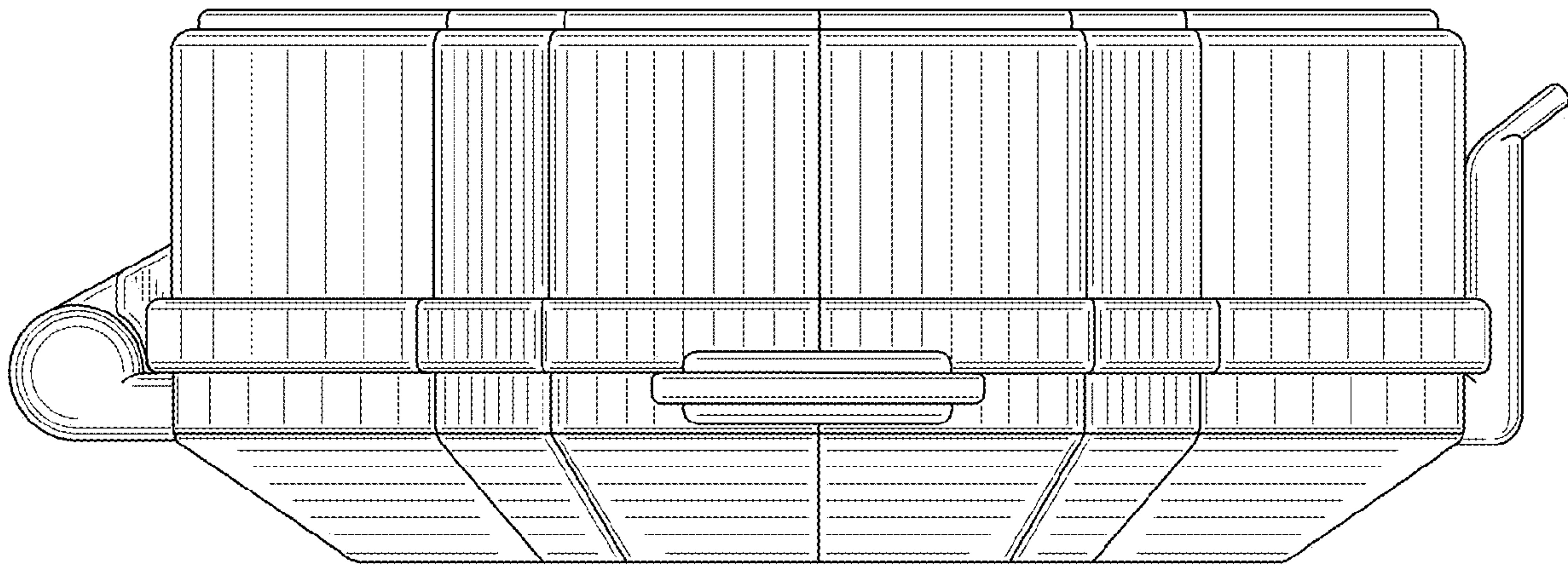




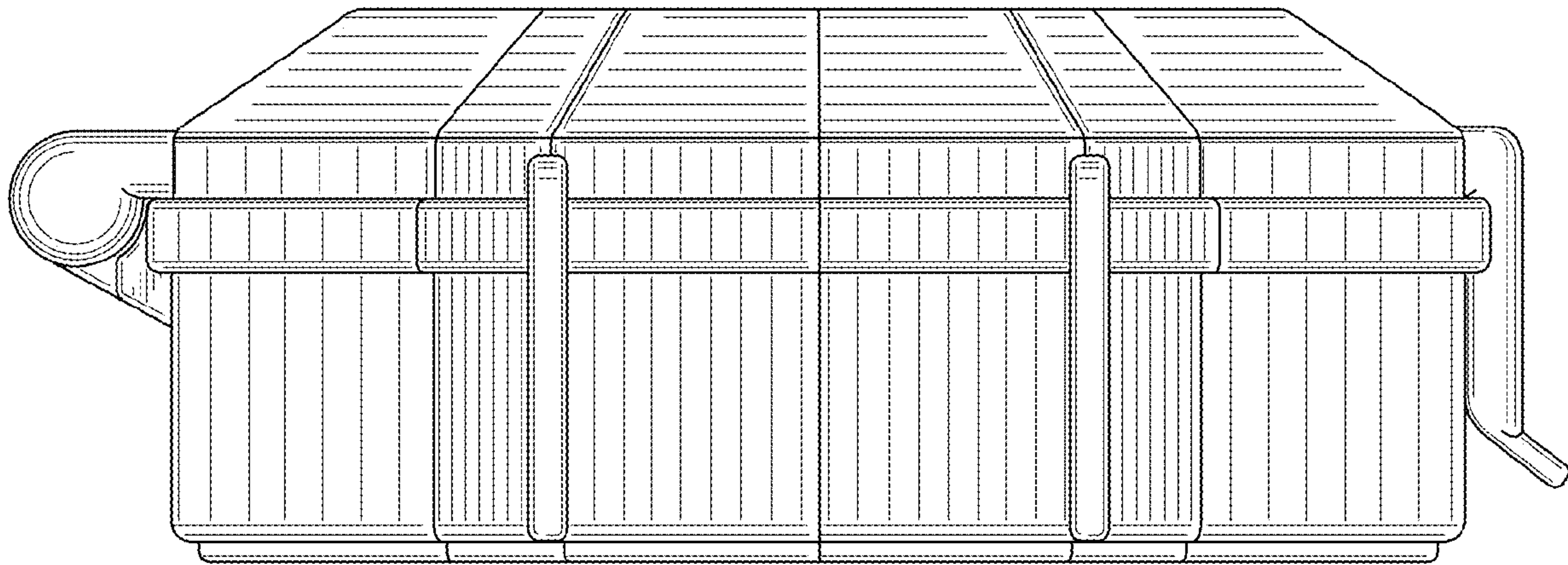
**FIG. 4**



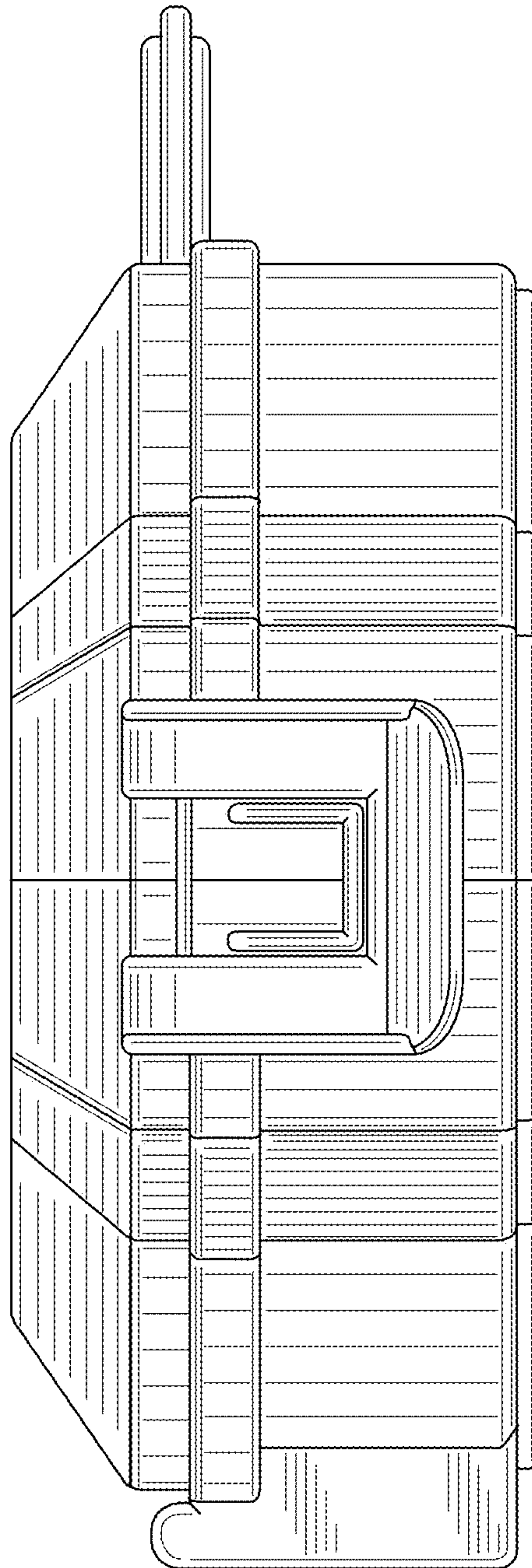
*FIG. 5*



**FIG. 6**

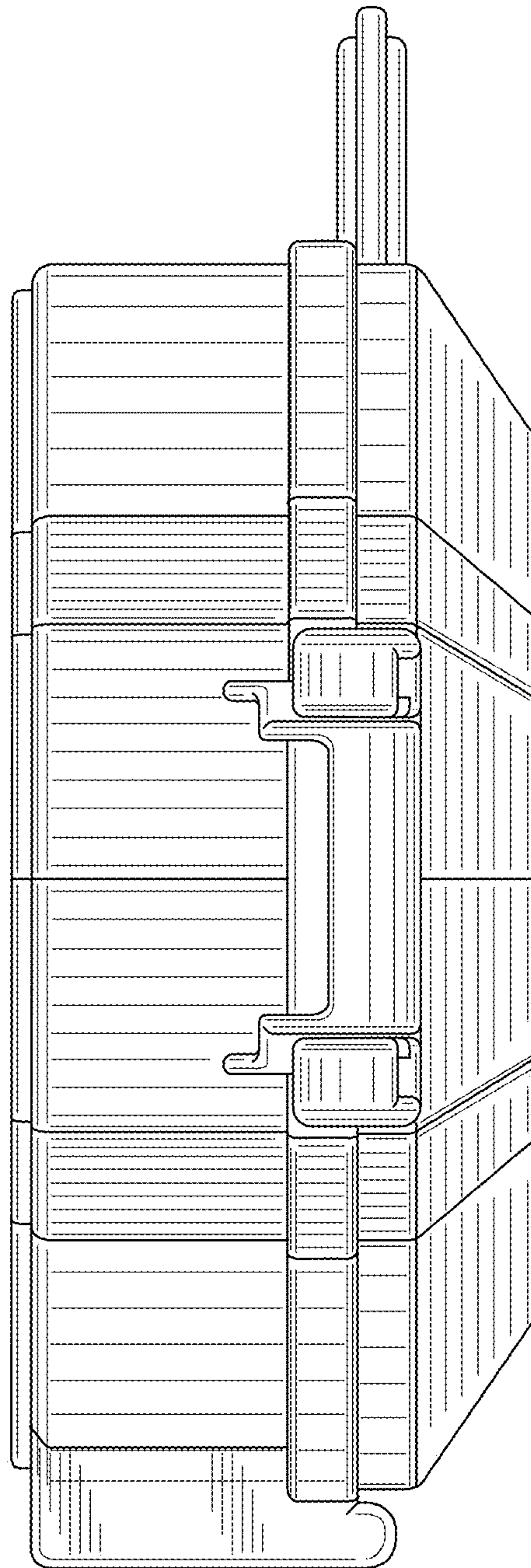


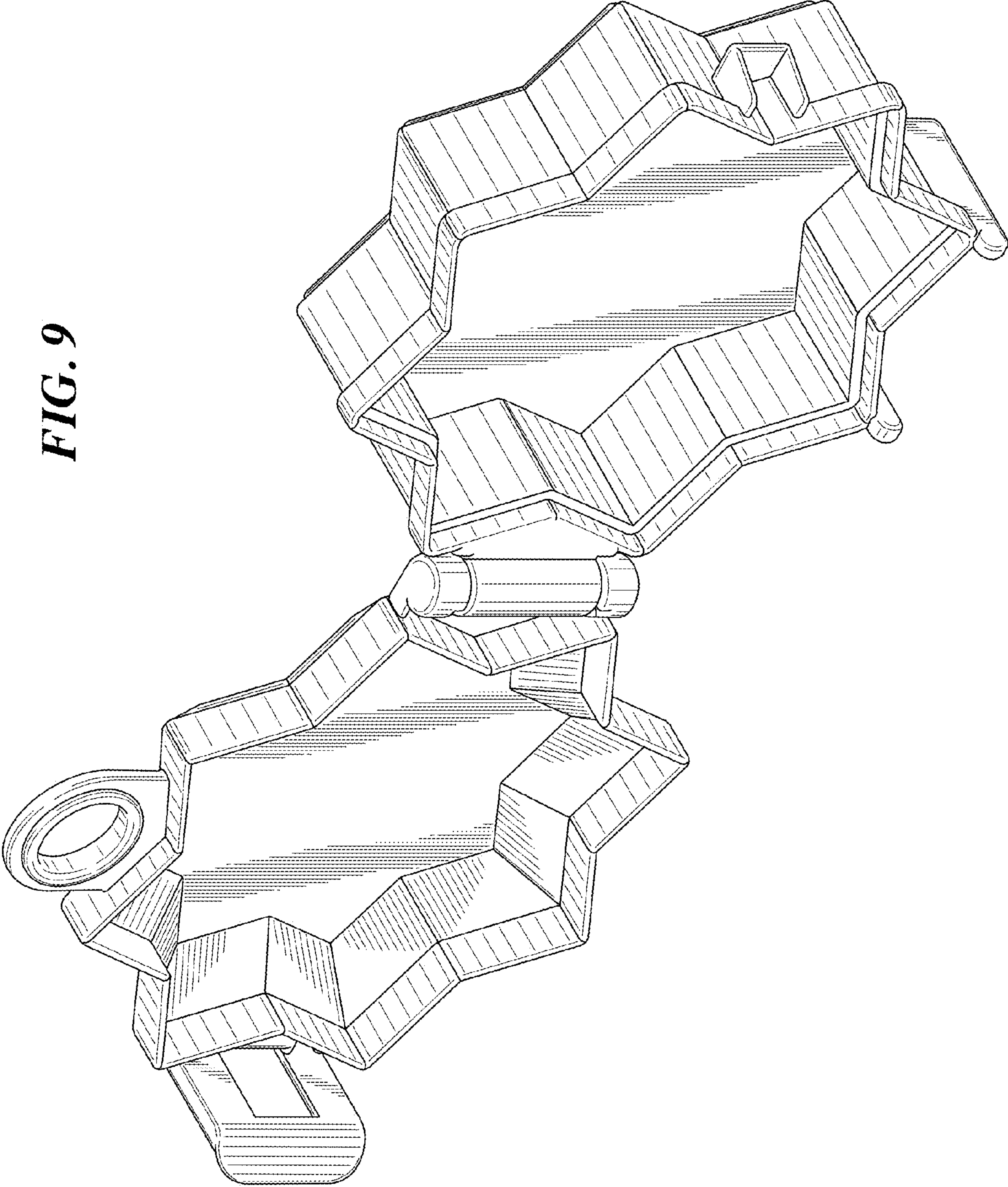
**FIG. 7**





**FIG. 8**





**FIG. 9**