



US00D915066S

(12) **United States Design Patent**
Blackrock

(10) **Patent No.:** **US D915,066 S**

(45) **Date of Patent:** **** Apr. 6, 2021**

(54) **WALLET**

(71) Applicant: **Bearcreek Imports, LLC**, Austin, TX (US)

(72) Inventor: **John Blackrock**, Dallas, TX (US)

(73) Assignee: **RTW GOODS LLC**, Dallas, TX (US)

(**) Term: **15 Years**

(21) Appl. No.: **29/653,734**

(22) Filed: **Jun. 18, 2018**

(51) **LOC (13) Cl.** **03-01**

(52) **U.S. Cl.**
USPC **D3/247; D3/318**

(58) **Field of Classification Search**
USPC D3/201, 215–218, 226, 232–233, D3/239–246, 247, 249–253, 254, 260, D3/269, 271.12, 272–302, 307, 315, D3/318–319, 321–324, 326–328, 905
CPC .. A45C 1/00; A45C 1/02; A45C 1/024; A45C 1/04; A45C 1/06; A45C 2001/022; A45C 2001/067; A45C 2001/083; A45C 2001/086; A45C 2001/101; A45C 2001/102; A45C 3/00; A45C 3/001; A45C 3/04; A45C 3/045; A45C 3/06; A45C 3/10; A45C 5/00; A45C 5/03; A45C 5/04; A45C 5/06; A45C 5/08; A45C 5/14; A45C 5/141;

(Continued)

(56) **References Cited**

U.S. PATENT DOCUMENTS

D141,414 S * 5/1945 Smallman D3/249
3,199,562 A * 8/1965 Seitz A45C 1/06
150/139

(Continued)

Primary Examiner — Andrew T Nemeth

(74) *Attorney, Agent, or Firm* — Mark Malek; Widerman Malek, PL

(57) **CLAIM**

The ornamental design for a wallet, as shown and described.

DESCRIPTION

FIG. 1 is a front perspective view of a wallet according to a first embodiment of the present invention.

FIG. 2 is a front elevation view of the wallet illustrated in FIG. 1.

FIG. 3 is a rear elevation view of the wallet illustrated in FIG. 1.

FIG. 4 is a top plan view of the wallet illustrated in FIG. 1. FIG. 5 is a bottom plan view of the wallet illustrated in FIG. 1.

FIG. 6 is a left side view of the wallet illustrated in FIG. 1. FIG. 7 is a right side view of the wallet illustrated in FIG. 1.

FIG. 8 is a rear perspective view of the wallet illustrated in FIG. 1.

FIG. 9 is a front perspective view of a wallet according to a second embodiment of the present invention.

FIG. 10 is a front elevation view of the wallet illustrated in FIG. 9.

FIG. 11 is a rear elevation view of the wallet illustrated in FIG. 9.

FIG. 12 is a top plan view of the wallet illustrated in FIG. 9.

FIG. 13 is a bottom plan view of the wallet illustrated in FIG. 9.

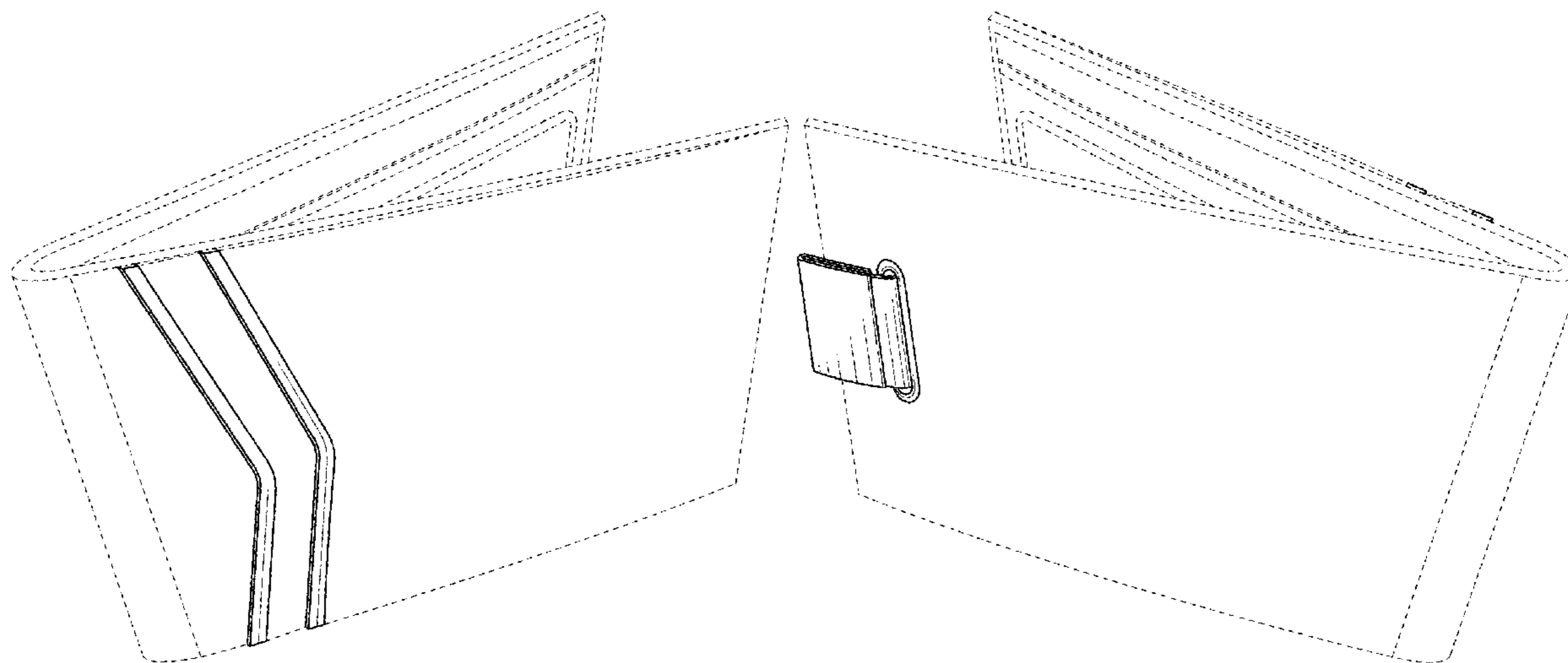
FIG. 14 is a left side view of the wallet illustrated in FIG. 9.

FIG. 15 is a right side view of the wallet illustrated in FIG. 9; and,

FIG. 16 is a rear perspective view of the wallet illustrated in FIG. 9.

The broken lines depict portions of the wallet that form no part of the claimed invention.

1 Claim, 8 Drawing Sheets



(58) **Field of Classification Search**

CPC A45C 5/146; A45C 2005/032; A45C
2005/035; A45C 2005/037; A45C
2005/142; A45C 2005/147; A45C
2005/148; A45C 7/00; A45C 7/0018;
A45C 7/005; A45C 7/0045; A45C
7/0054; A45C 7/0059; A45C 7/0095;
A45C 2011/001; A45C 2011/002; A45C
2011/003; A45C 11/20; A45C 13/02;
A45C 13/03; A45C 2013/025; A45C
2013/026

See application file for complete search history.

(56) **References Cited**

U.S. PATENT DOCUMENTS

D443,414 S *	6/2001	Schimmel	D3/250
D749,850 S *	2/2016	Kuster	D3/318
D781,581 S *	3/2017	Barclay	D3/247
D828,025 S *	9/2018	Serman	D3/247
D836,341 S *	12/2018	Kite	D3/318
D851,923 S *	6/2019	Dumas	D3/232
D859,838 S *	9/2019	Blackrock	D3/318
D872,994 S *	1/2020	Chen	D3/247
D891,101 S *	7/2020	Lv	D3/249

* cited by examiner

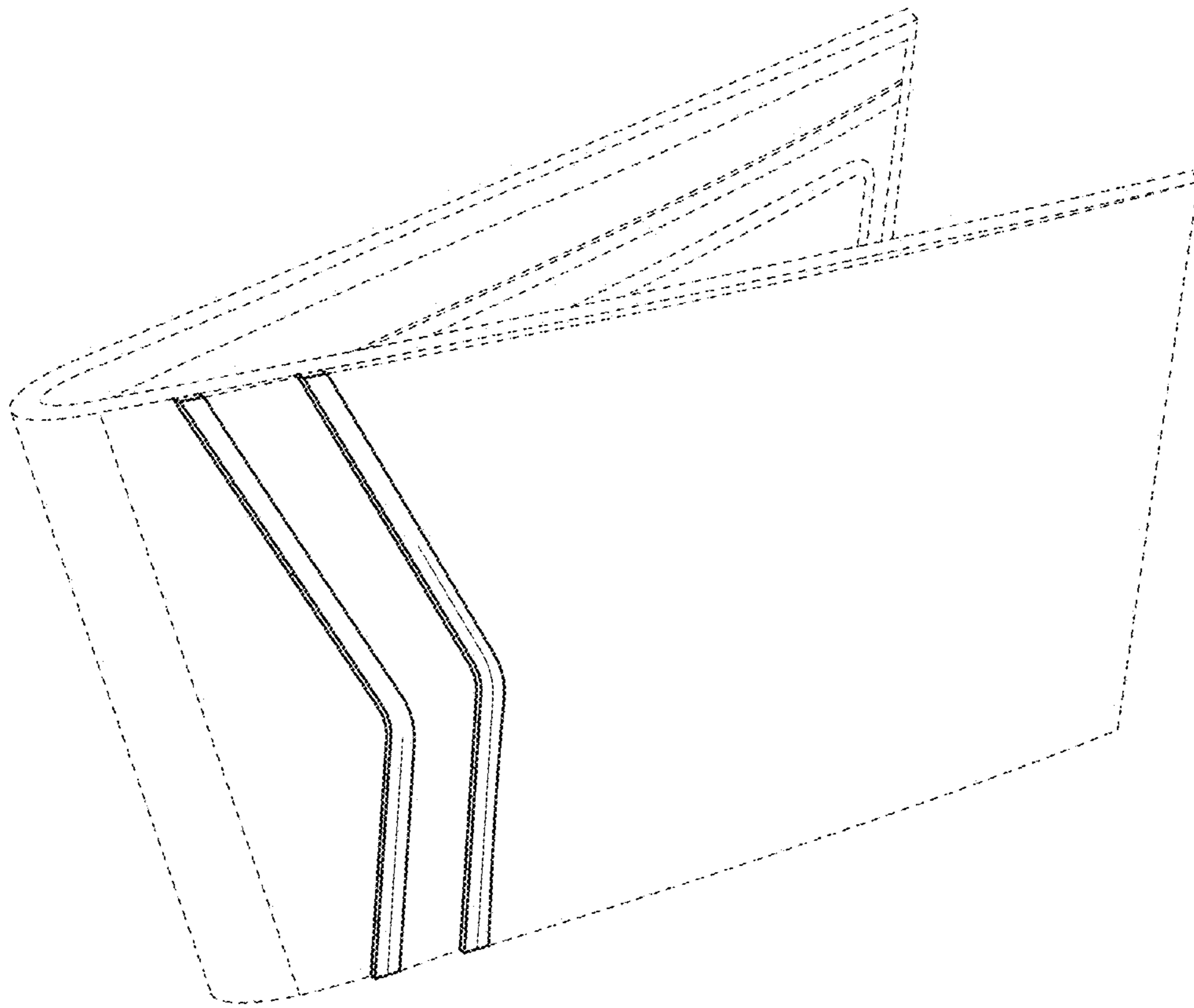


FIG. 1

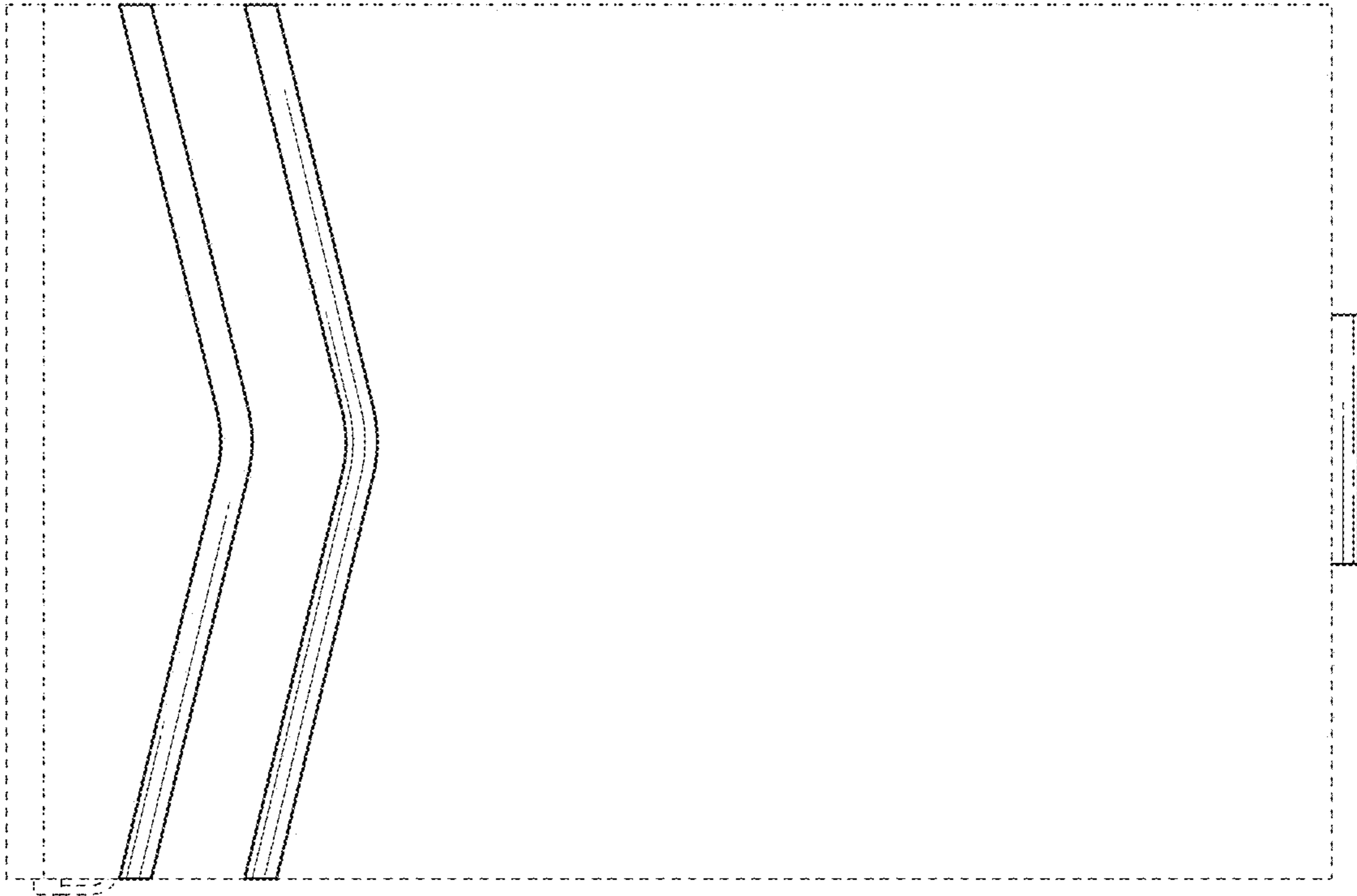


FIG. 2



FIG. 3

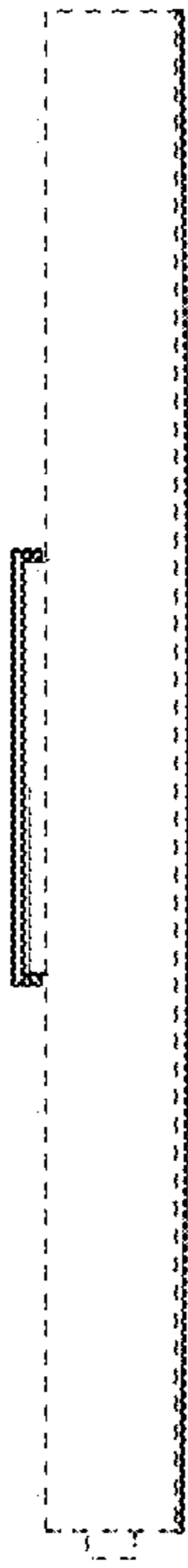


FIG. 4

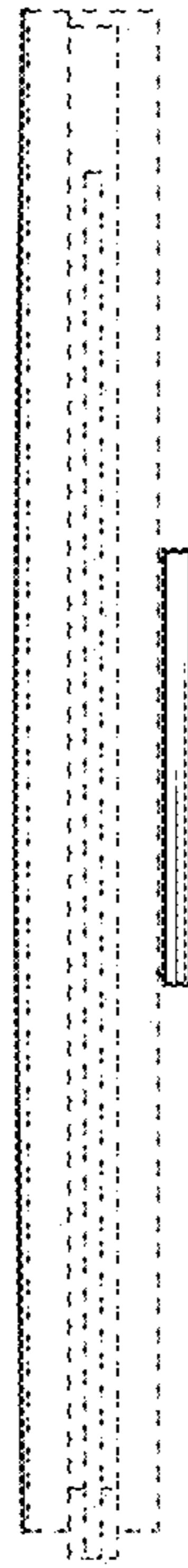


FIG. 5

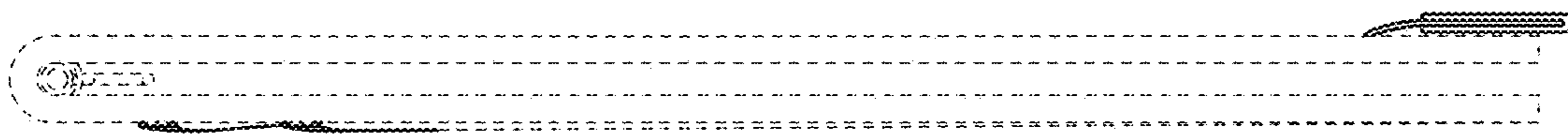


FIG. 6

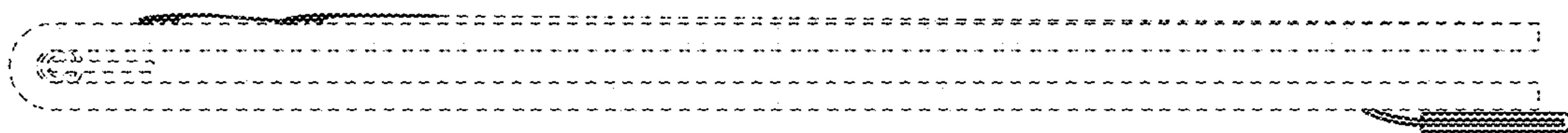


FIG. 7

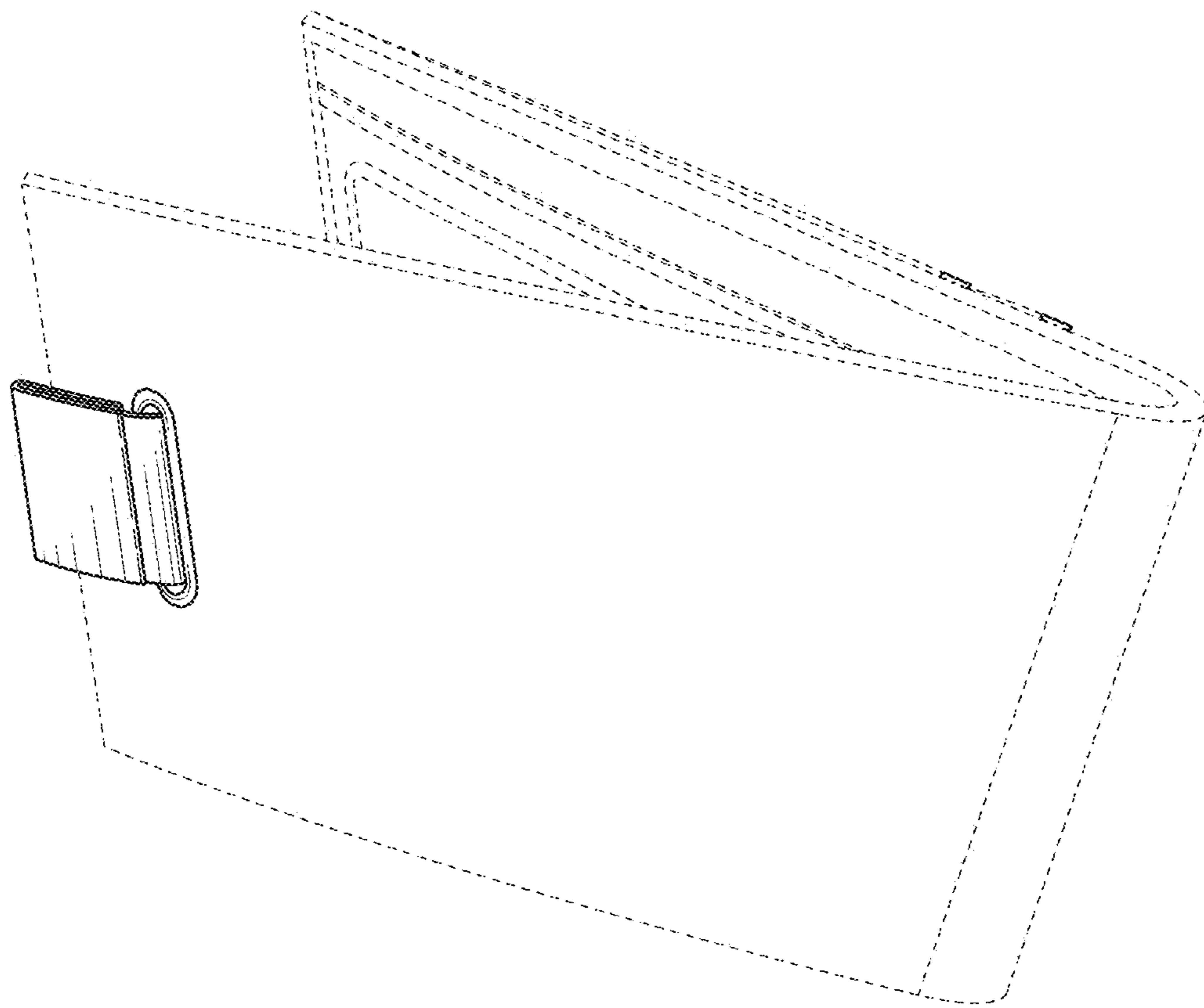


FIG. 8

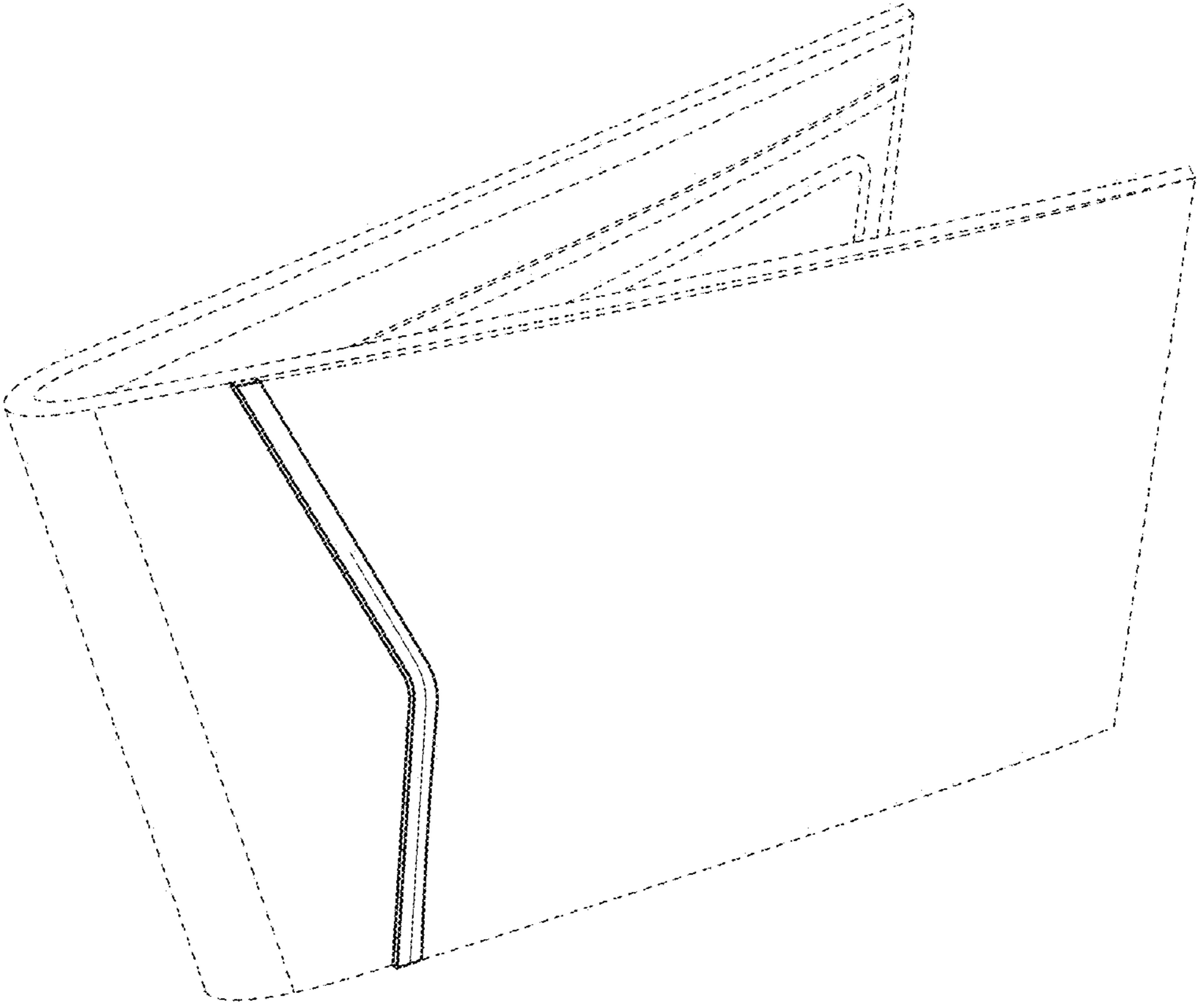


FIG. 9

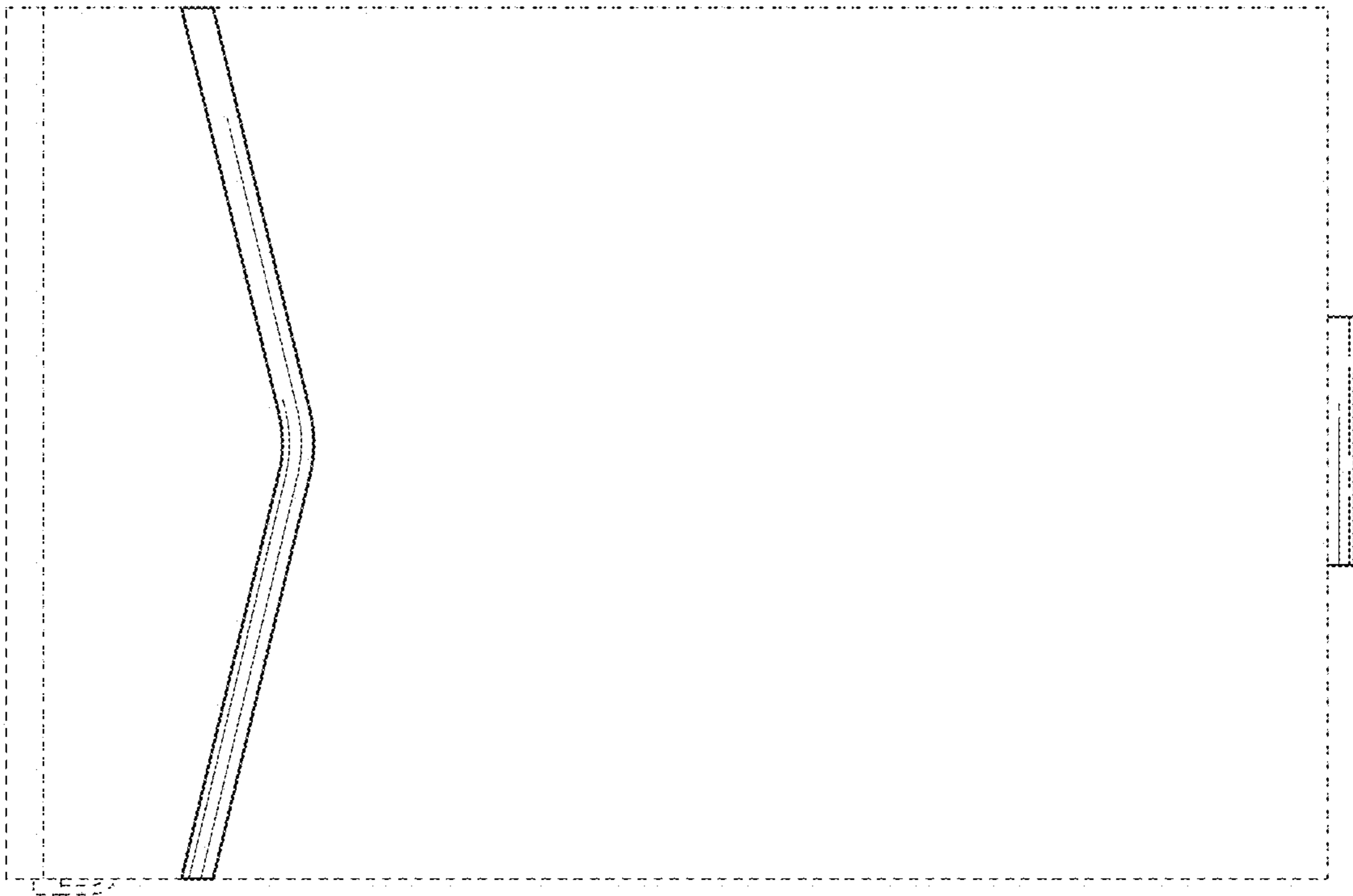


FIG. 10



FIG. 11

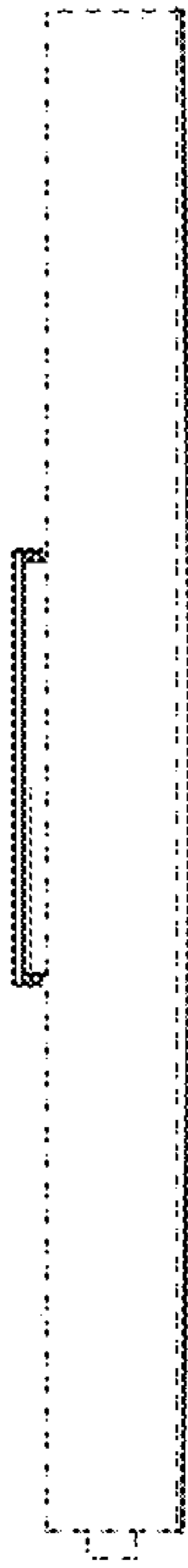


FIG. 12

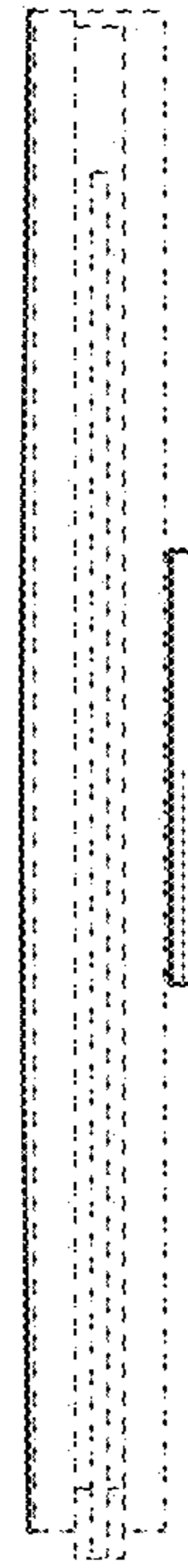


FIG. 13

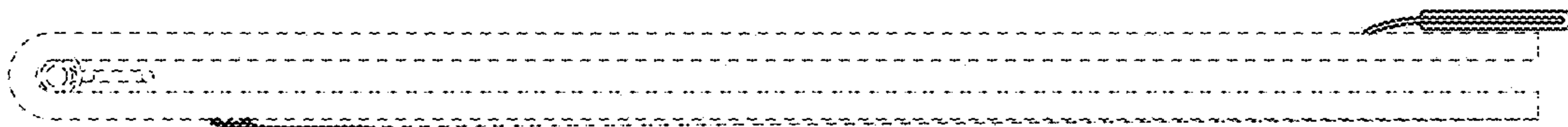


FIG. 14

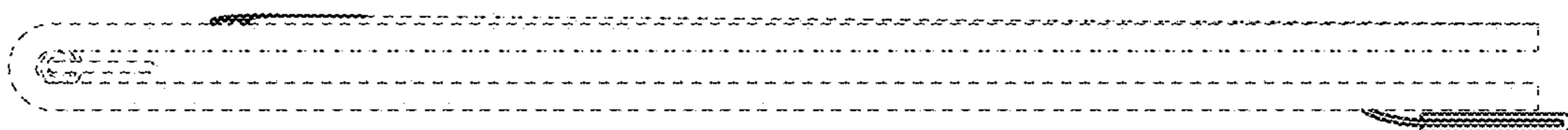


FIG. 15

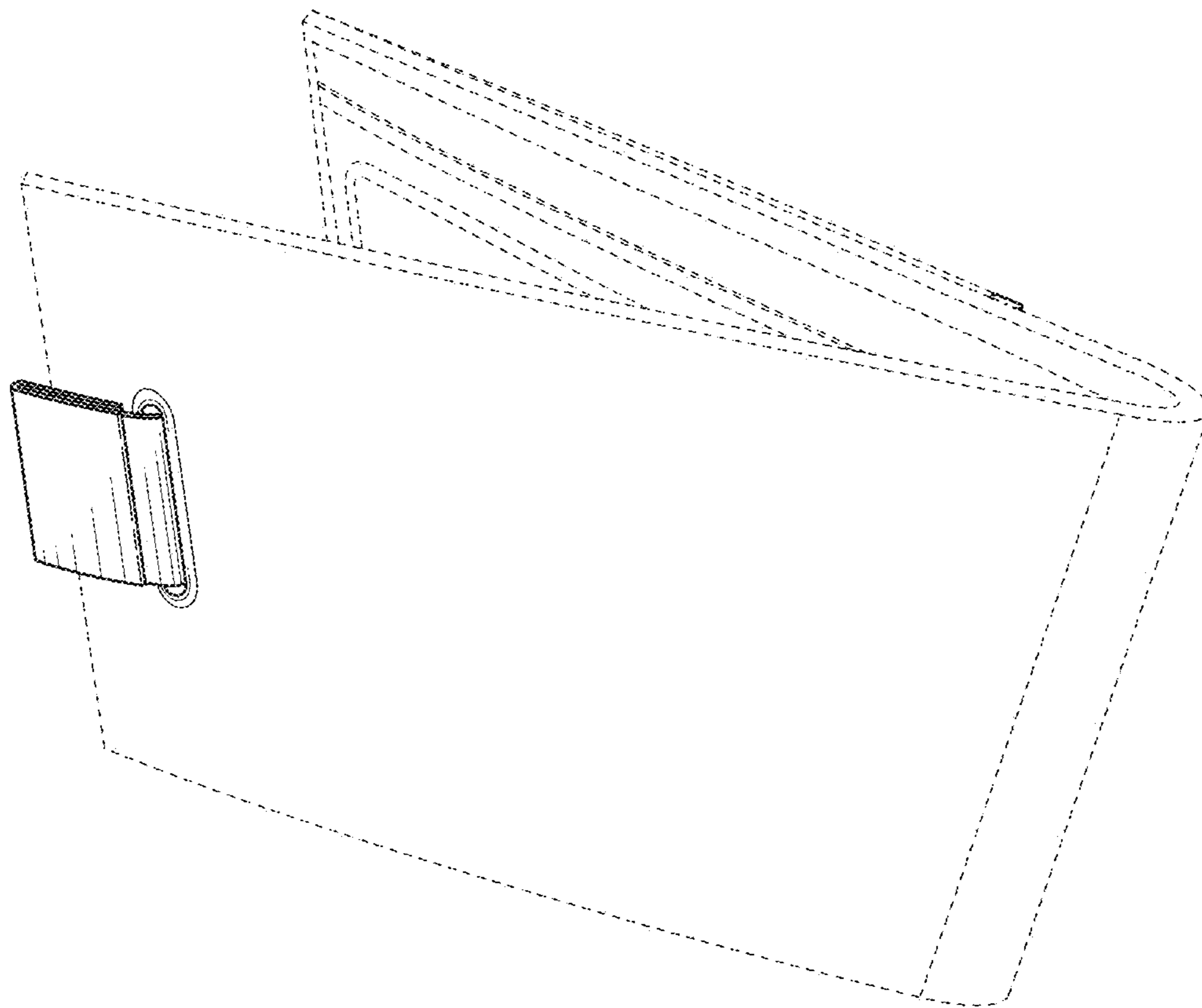


FIG. 16