



US00D915064S

(12) **United States Design Patent**
Cardentey

(10) **Patent No.:** **US D915,064 S**
(45) **Date of Patent:** **** Apr. 6, 2021**

(54) **CARRYING CASE FOR MOBILE PHONES AND CREDIT CARDS**

(71) Applicant: **Vitalitus LLC**, Mars, PA (US)

(72) Inventor: **Eddy Cardentey**, Mars, PA (US)

(**) Term: **15 Years**

(21) Appl. No.: **29/666,805**

(22) Filed: **Oct. 16, 2018**

(51) **LOC (13) Cl.** **03-01**

(52) **U.S. Cl.**
USPC **D3/218; D14/253**

(58) **Field of Classification Search**
USPC D3/201, 212, 218, 226, 227, 247, 249, D3/250, 269, 303; D13/103, 107, 108, D13/119; D14/137, 138 R, 138 AA, D14/138 C, 138 G, 172, 192, D14/203.3–203.7, 217, 238.1, 247, 248, D14/250–253, 434, 440, 447, 496; D12/133, 415–422
CPC H04B 1/3888; H04M 1/0283; H04M 1/0202; A45C 1/06; A45C 2011/002; A45C 11/00; A45F 2005/028; A45F 2200/0525
See application file for complete search history.

(56) **References Cited**

U.S. PATENT DOCUMENTS

D280,466 S *	9/1985	Seltzer	D12/422
4,913,393 A	4/1990	Wood		
5,180,181 A	1/1993	Letchipia		
D409,374 S *	5/1999	Laba	D3/215
D438,536 S *	3/2001	Willison	D14/253
D439,246 S *	3/2001	Hansen, Jr.	D14/253
D479,502 S *	9/2003	Gagnon	D12/417
7,344,055 B2	3/2008	Machoca		
7,530,632 B2	5/2009	Kaloustian et al.		
D618,675 S *	6/2010	Thompson	D14/251
D627,340 S *	11/2010	Lan	D14/253

7,921,890 B2	4/2011	Ho		
D641,974 S *	7/2011	Stampfli	D3/218
D644,428 S *	9/2011	Feng	D3/218
D649,347 S *	11/2011	Smith	D3/218
D653,601 S *	2/2012	Stroud	D12/416
D653,602 S *	2/2012	Stroud	D12/419
D654,914 S *	2/2012	Martin	D14/250
D696,657 S *	12/2013	Cohen	D14/251
8,596,449 B2	12/2013	Mongan et al.		
D715,043 S *	10/2014	Rayeski	D3/218
8,899,411 B2	12/2014	Van Geer		
D727,143 S *	4/2015	Gomez	D9/432

(Continued)

OTHER PUBLICATIONS

Cell Phone Holder for Walkers and Wheelchairs, earliest review date Dec. 26, 2014, [online][site visited Oct. 8, 2020] URL: <https://www.1800wheelchair.com/product/cell-phone-holder-for-walkers-and-wheelchairs/> (Year: 2014).*

(Continued)

Primary Examiner — L. A. Grabenstetter
(74) *Attorney, Agent, or Firm* — Thomas M. Joseph, Esq

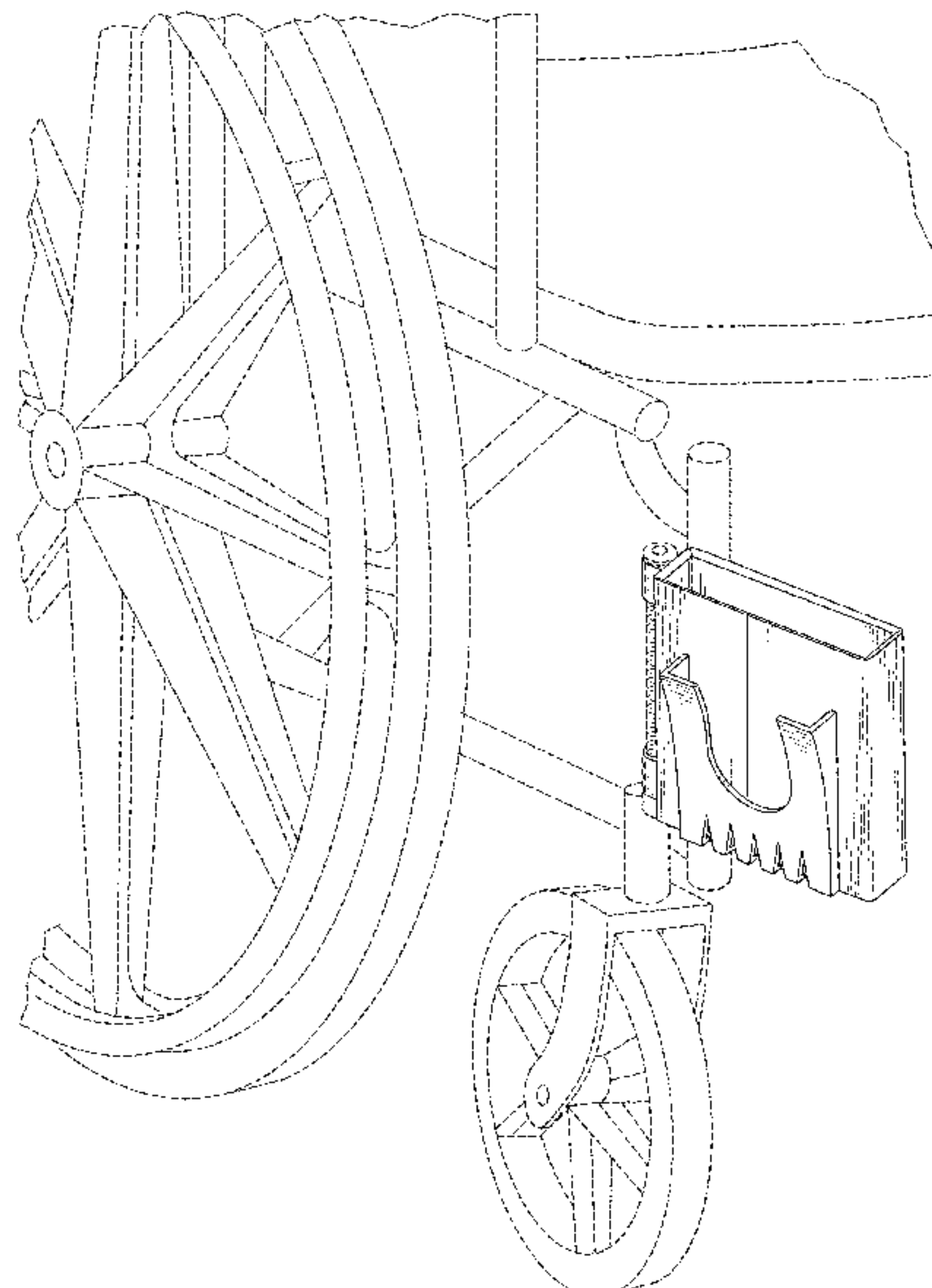
(57) **CLAIM**

The ornamental design for a carrying case for mobile phones and credit cards, as shown and described.

DESCRIPTION

FIG. 1 is a perspective view showing my new design; FIG. 2 is a top plan view thereof; FIG. 3 is a bottom plan view thereof; FIG. 4 is a left side view thereof; FIG. 5 is a right side view thereof; FIG. 6 is a front view thereof; and, FIG. 7 is a rear view thereof. The broken lines shown in FIGS. 1-7 illustrate environmental structure. None of the broken lines form part of the claimed design.

1 Claim, 4 Drawing Sheets



(56)

References Cited

U.S. PATENT DOCUMENTS

D759,647	S *	6/2016	Gallup	D14/253
D763,835	S *	8/2016	Wengreen	D14/238.1
D765,063	S *	8/2016	Wengreen	D14/238.1
D765,648	S *	9/2016	Starkenbug	D14/253
D772,859	S *	11/2016	Alesi	D14/253
D776,916	S *	1/2017	Yeruva	D3/218
D799,909	S *	10/2017	Partridge	D7/620
D809,998	S *	2/2018	Dabel	B60N 3/10
					D12/419
D828,865	S *	9/2018	Zeng	D16/242
2010/0258602	A1 *	10/2010	Amin	A45C 13/30
					224/275

OTHER PUBLICATIONS

Bell Automotive Mobile Mount Caddy, earliest review date Sep. 9, 2012, [online][site visited Oct. 8, 2020] URL: <https://www.amazon.com/Bell-Automotive-22-1-22246-8-Black-Silicone/dp/B0060NDXAU> (Year: 2012).*

Publication: Wheelchair Phone Caddy, <https://www.thingiverse.com/thing:2465349> Earliest Review Date : Dec. 26, 2014—Downloaded on Oct. 2, 2018 (Year: 2014).

Amazon Wheelchair Holster Advertisement, https://www.amazon.com/gp/aw/d/B01A05J5VO/ref=mp_s_a_1_16_a_it?ie=UTF8&qid=1540337811&sr=8-16&keywords=wheelchair+phone+holder&dpPI=1&dpID=41vSVo4iy-L&ref=plSrch Earliest Review Date: Sep. 9, 2012—Downloaded on Oct. 23, 2018—(Year: 2012).

* cited by examiner

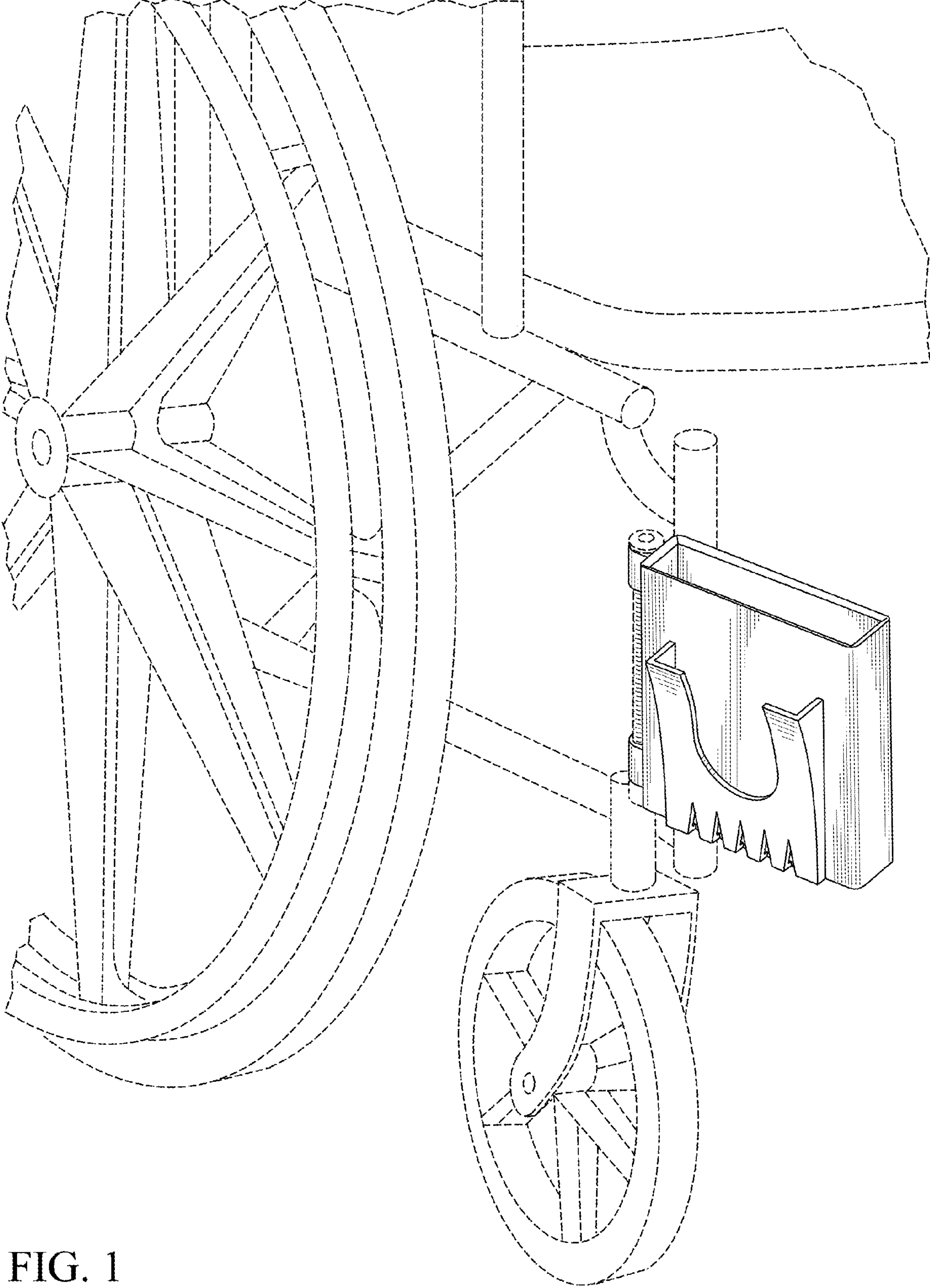


FIG. 1

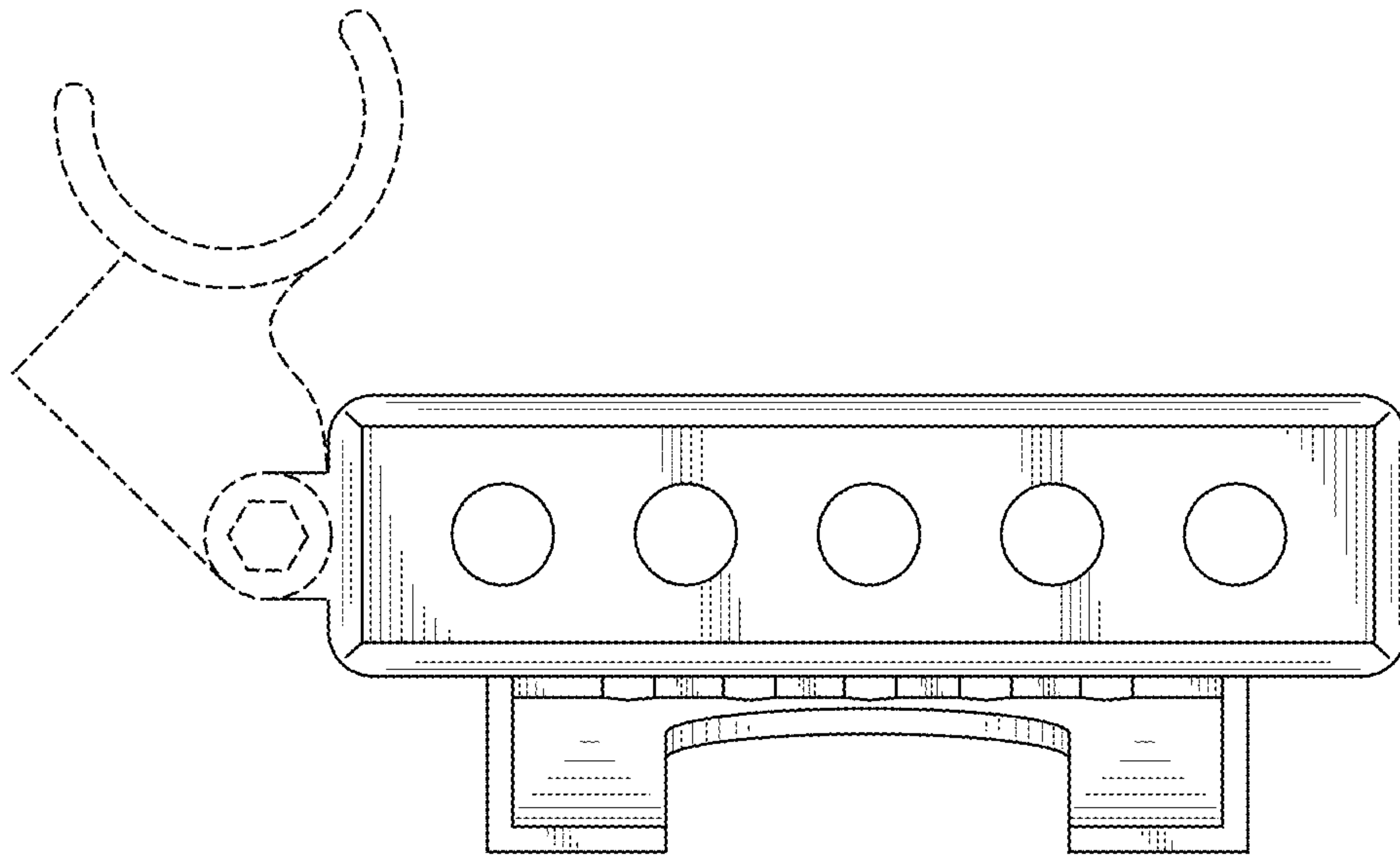


FIG. 2

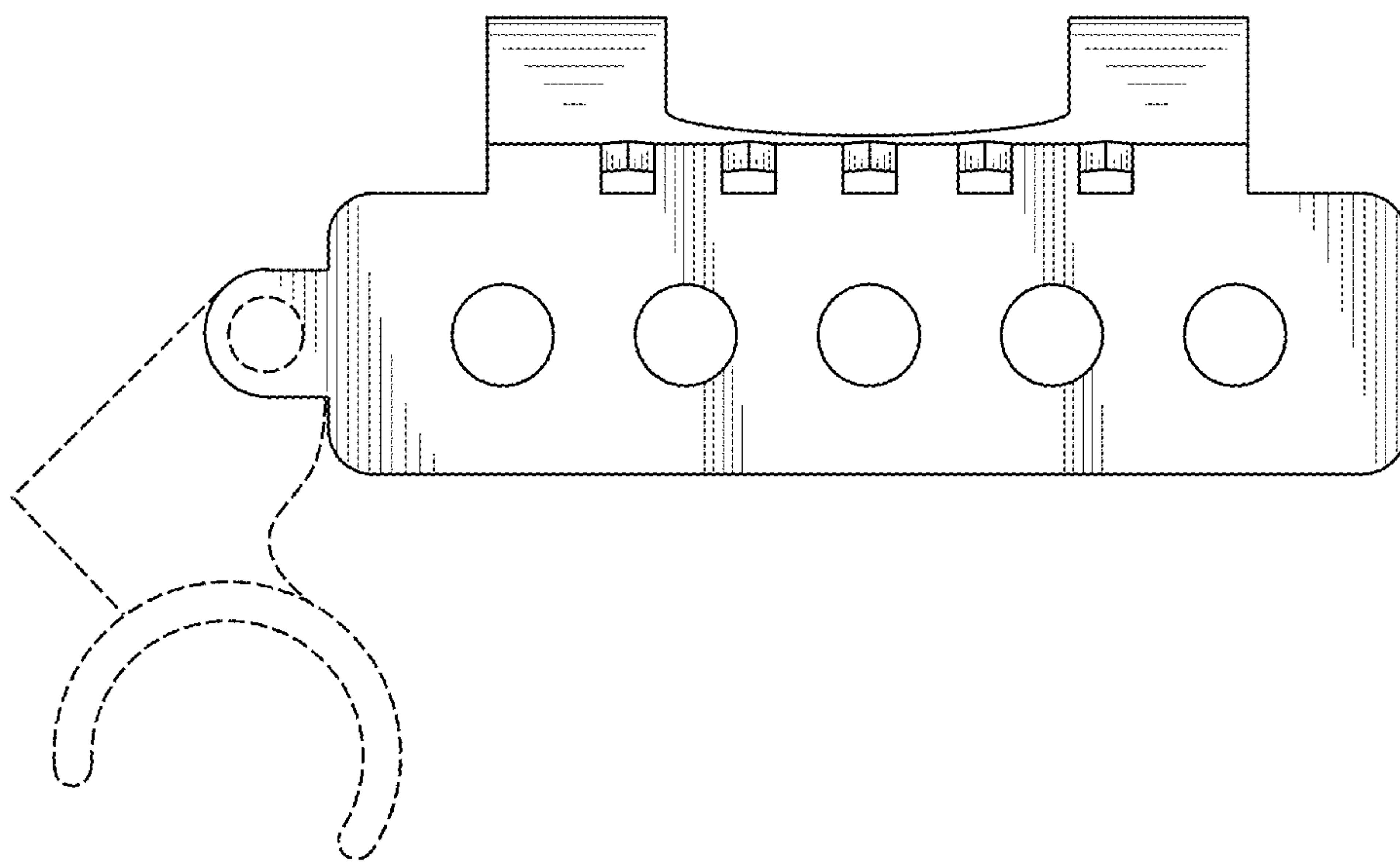


FIG. 3

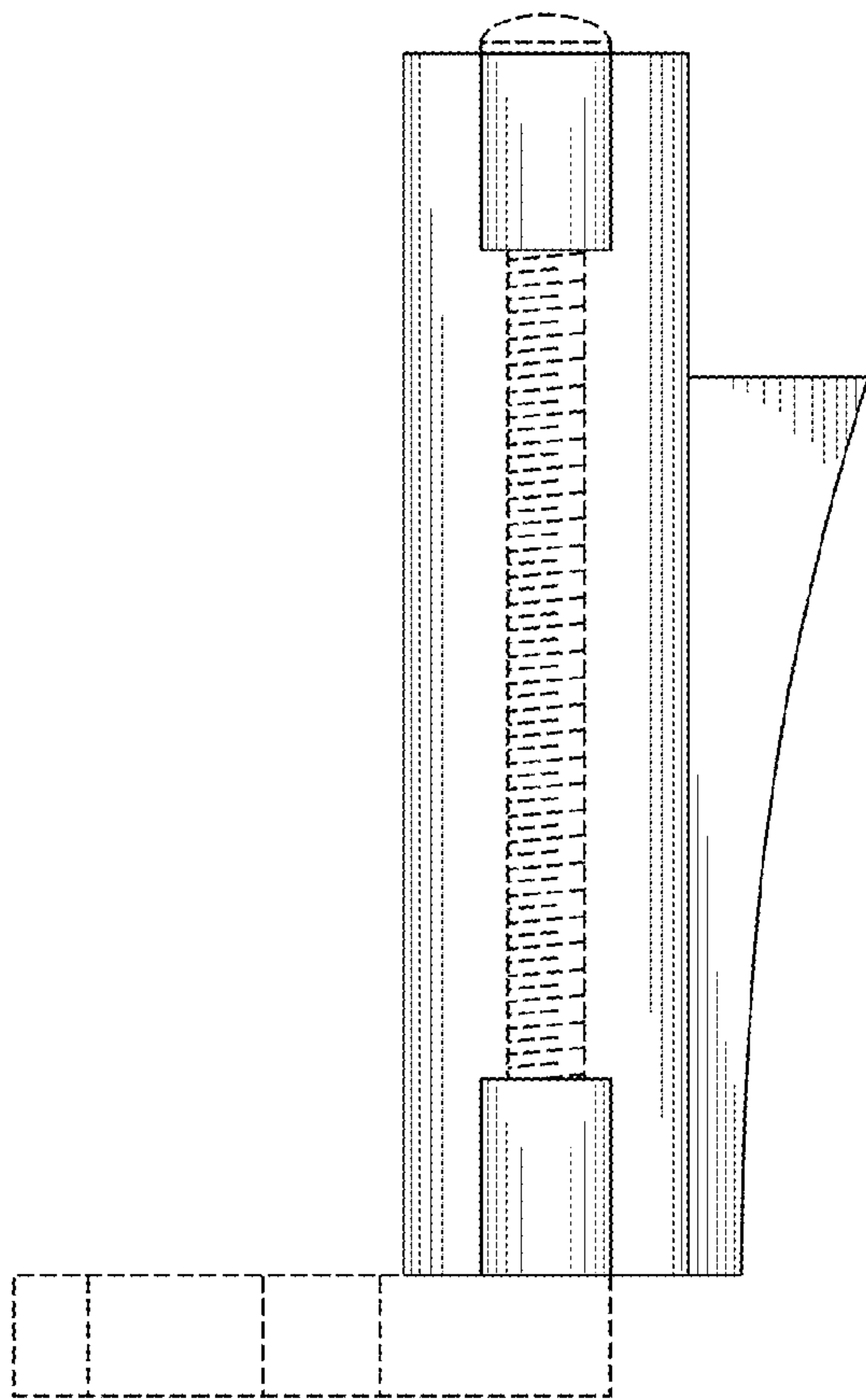


FIG. 4

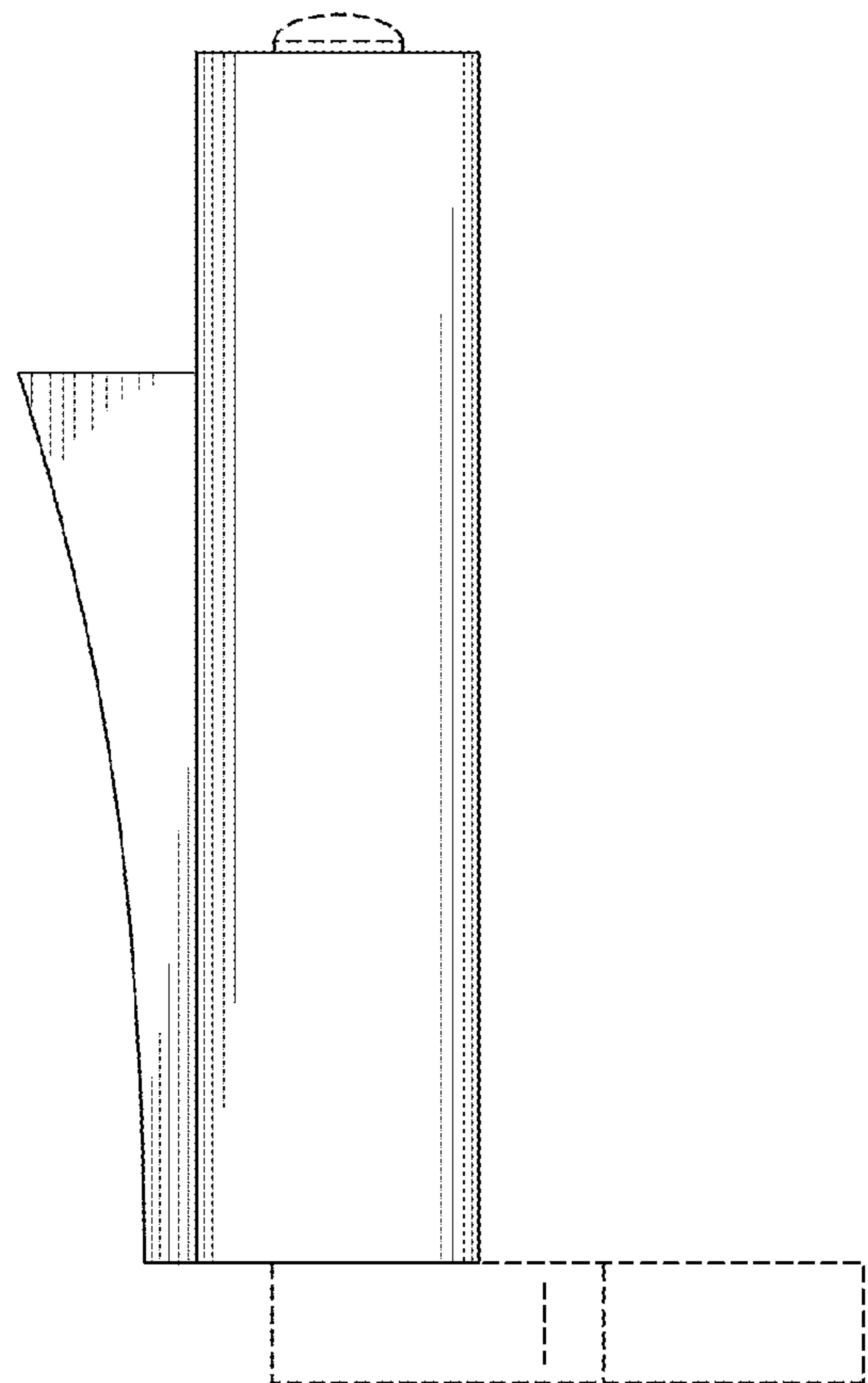


FIG. 5

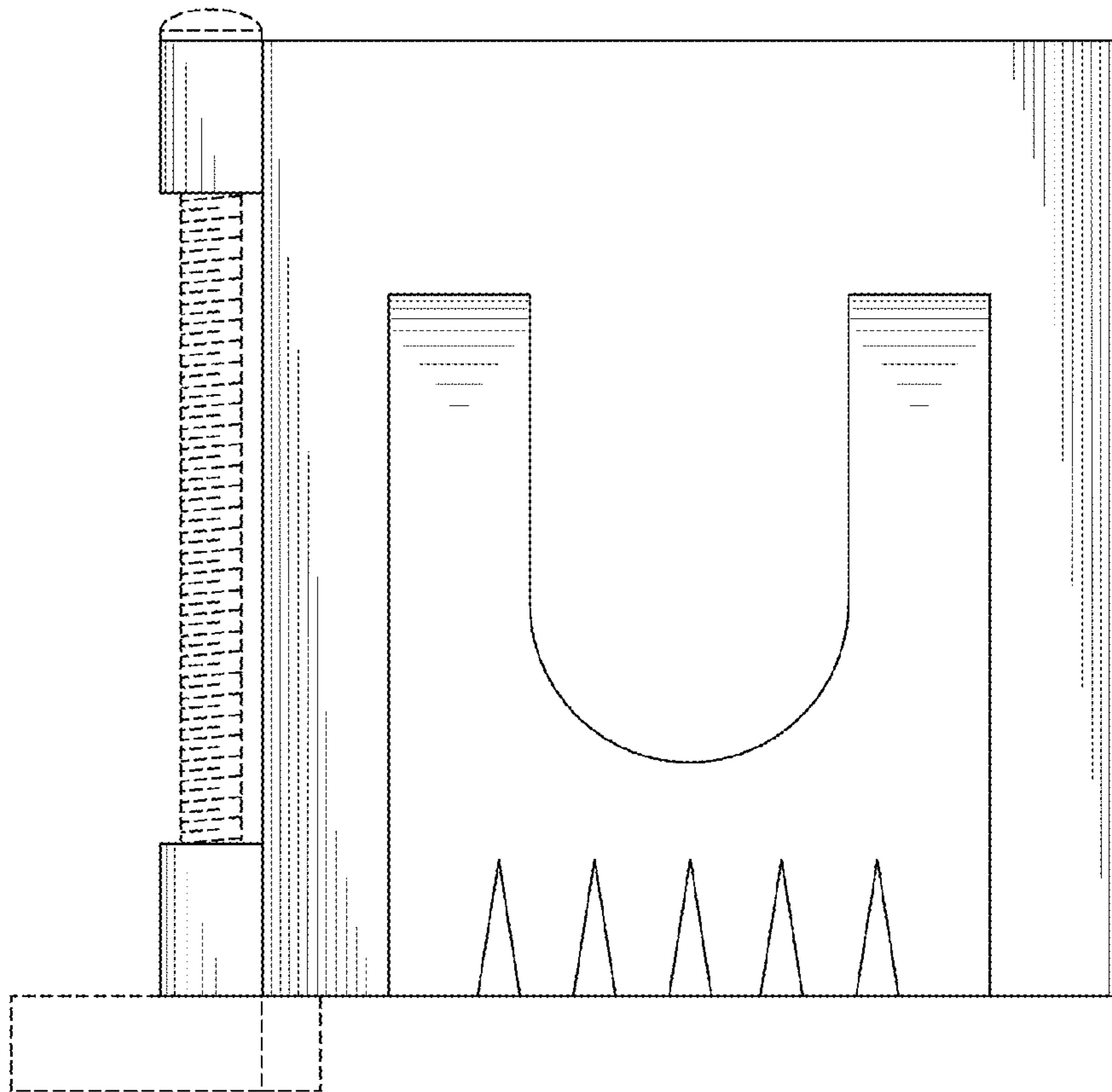


FIG. 6

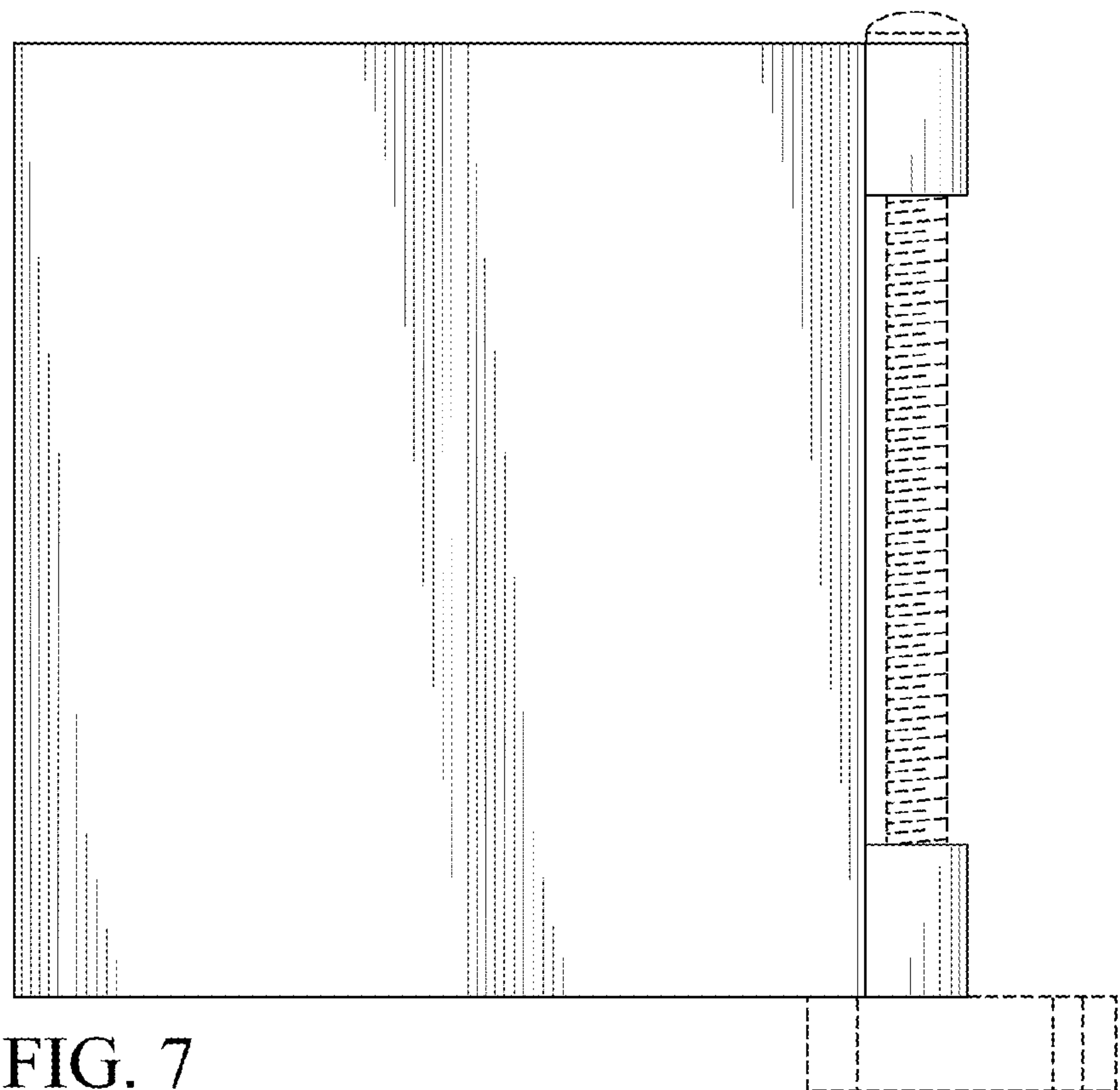


FIG. 7