



US00D915063S

(12) **United States Design Patent** (10) **Patent No.:** **US D915,063 S**  
**Goodsite et al.** (45) **Date of Patent:** **\*\* Apr. 6, 2021**

(54) **PROTECTOR FOR A 2-WAY RADIO**

(71) Applicants: **Wyatt Goodsite**, Riverside, CA (US);  
**Shawn Brassard**, Riverside, CA (US)

(72) Inventors: **Wyatt Goodsite**, Riverside, CA (US);  
**Shawn Brassard**, Riverside, CA (US)

(\*\*) Term: **15 Years**

(21) Appl. No.: **29/662,471**

(22) Filed: **Sep. 5, 2018**

(51) **LOC (13) Cl.** ..... **03-01**

(52) **U.S. Cl.**

USPC ..... **D3/218**; D14/253

(58) **Field of Classification Search**

USPC ..... D3/201, 212, 218, 226, 227, 247, 249,  
D3/250, 269, 303; D13/103, 107, 108,  
D13/119; D14/137, 138 R, 138 AA,  
D14/138 C, 138 G, 172, 192,  
D14/203.3-203.7, 217, 238.1, 247, 248,  
D14/250-253, 434, 440, 447, 496;  
D12/133, 415-422

CPC ..... H04B 1/3888; H04M 1/0283; H04M  
1/0202; A45C 1/06; A45C 2011/002;  
A45C 11/00; A45F 2005/028; A45F  
2200/0525

See application file for complete search history.

(56) **References Cited**

**U.S. PATENT DOCUMENTS**

D284,807 S *	7/1986	Knight, Jr. ....	D3/218
D287,905 S *	1/1987	Oyamada .....	224/247
D318,569 S *	7/1991	Schaefer .....	D3/218
D369,359 S *	4/1996	Wright .....	D14/253
D369,465 S *	5/1996	Scheid .....	D3/218
D377,266 S *	1/1997	Khoo .....	D3/218
D379,712 S *	6/1997	Khoo .....	D3/218
D391,758 S *	3/1998	Wolf .....	D3/218
D395,545 S *	6/1998	Crim, Jr. ....	D3/218
D405,800 S *	2/1999	Brown .....	D14/230

D406,695 S *	3/1999	Nagele .....	D3/218
D451,915 S *	12/2001	Dalmau .....	D14/253
D456,374 S *	4/2002	Haase et al.	
D468,525 S *	1/2003	Boyle .....	D3/218
D620,247 S *	7/2010	Behar .....	D3/218
D623,405 S *	9/2010	Nelson .....	D3/218
D626,745 S *	11/2010	Roman .....	D3/269
D627,340 S *	11/2010	Lan .....	D14/253
D686,409 S *	7/2013	Pearce .....	D3/218
D689,853 S *	9/2013	Smith .....	D14/253
D711,652 S *	8/2014	Erickson	
D765,393 S *	9/2016	Kim .....	D3/218
D772,859 S *	11/2016	Alesi .....	D14/253
D776,916 S *	1/2017	Yeruva .....	D3/218

(Continued)

*Primary Examiner* — L. A. Grabenstetter

(74) *Attorney, Agent, or Firm* — Kirk A. Buhler; Buhler & Associates

(57) **CLAIM**

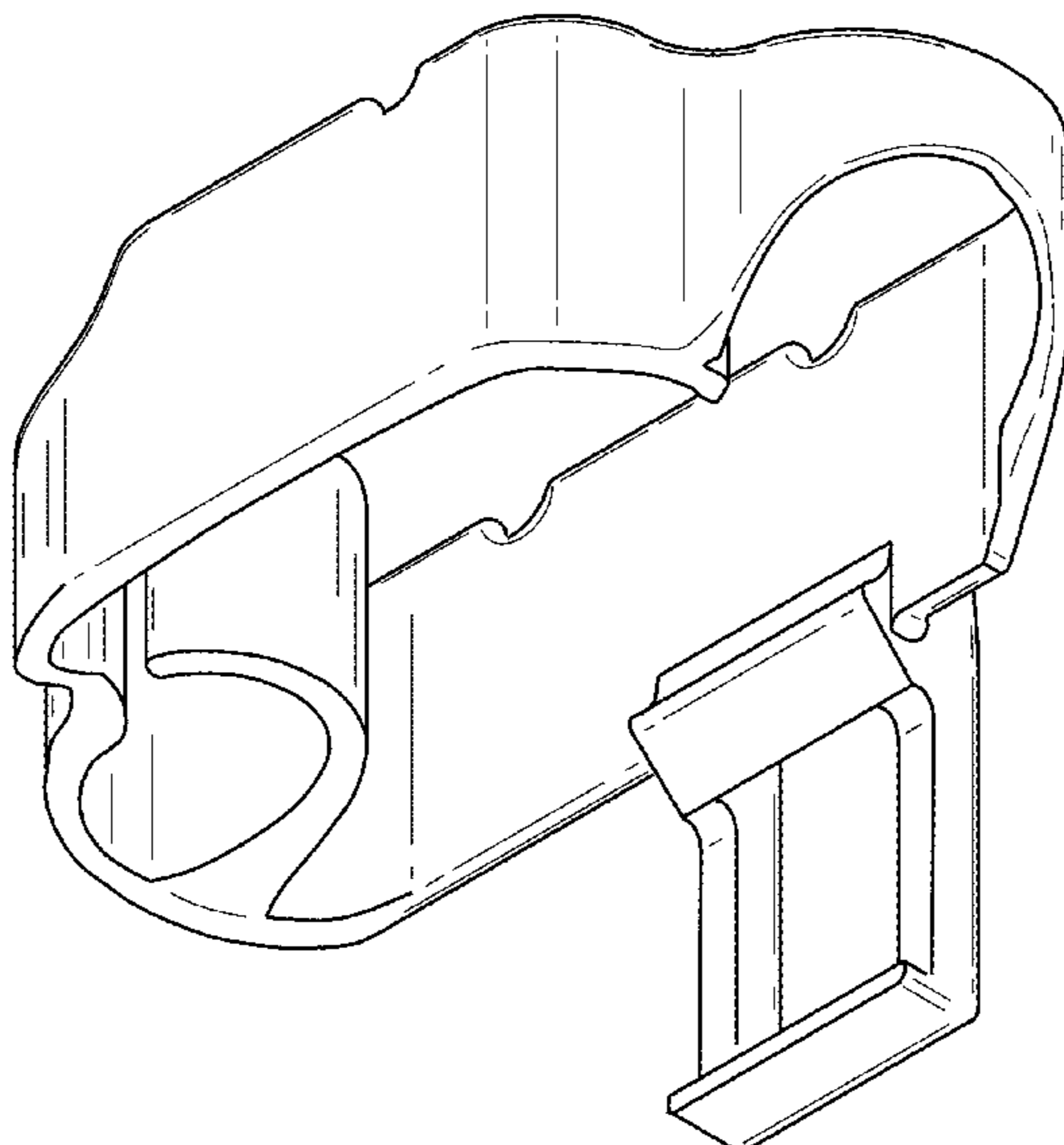
The ornamental design for a protector for a 2-Way Radio, as shown and described.

**DESCRIPTION**

FIG. 1 is a bottom perspective view of a protector for a 2-way radio, showing our new design; FIG. 2 is a front elevation view thereof; FIG. 3 is a top plan view thereof; FIG. 4 is a rear elevation view thereof; FIG. 5 is a bottom view thereof; FIG. 6 is a right side elevation view thereof; FIG. 7 is a left side elevation view thereof; FIG. 8 is a front sectional view taken along lines 8-8 from FIG. 3 thereof; FIG. 9 is a rear sectional view taken along lines 9-9 from FIG. 3 thereof; and, FIG. 10 is a top perspective view shown in an environment of use.

The broken lines in FIG. 10 depict environmental subject matter and form no part of the claimed design.

**1 Claim, 6 Drawing Sheets**



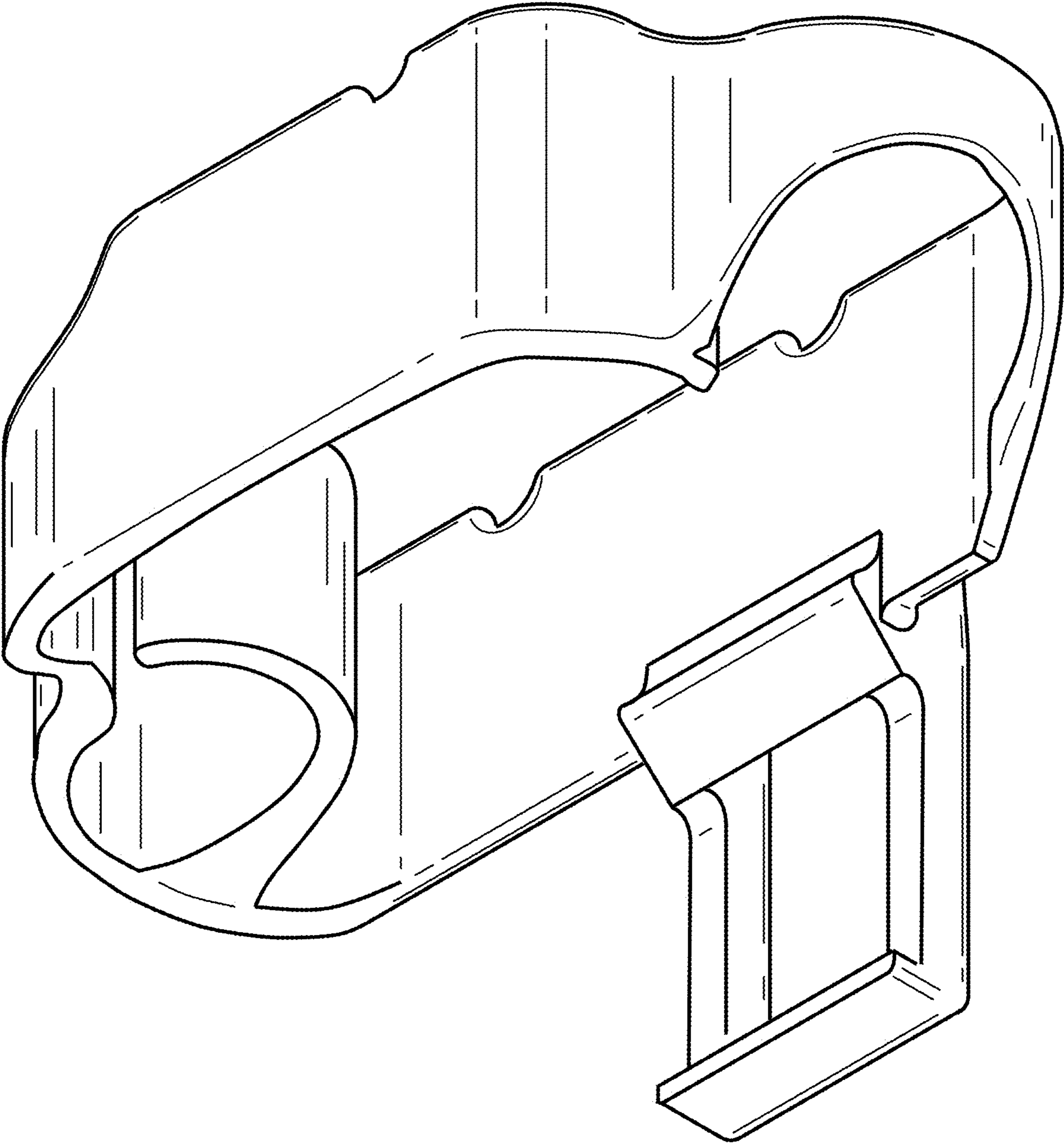
(56)

**References Cited**

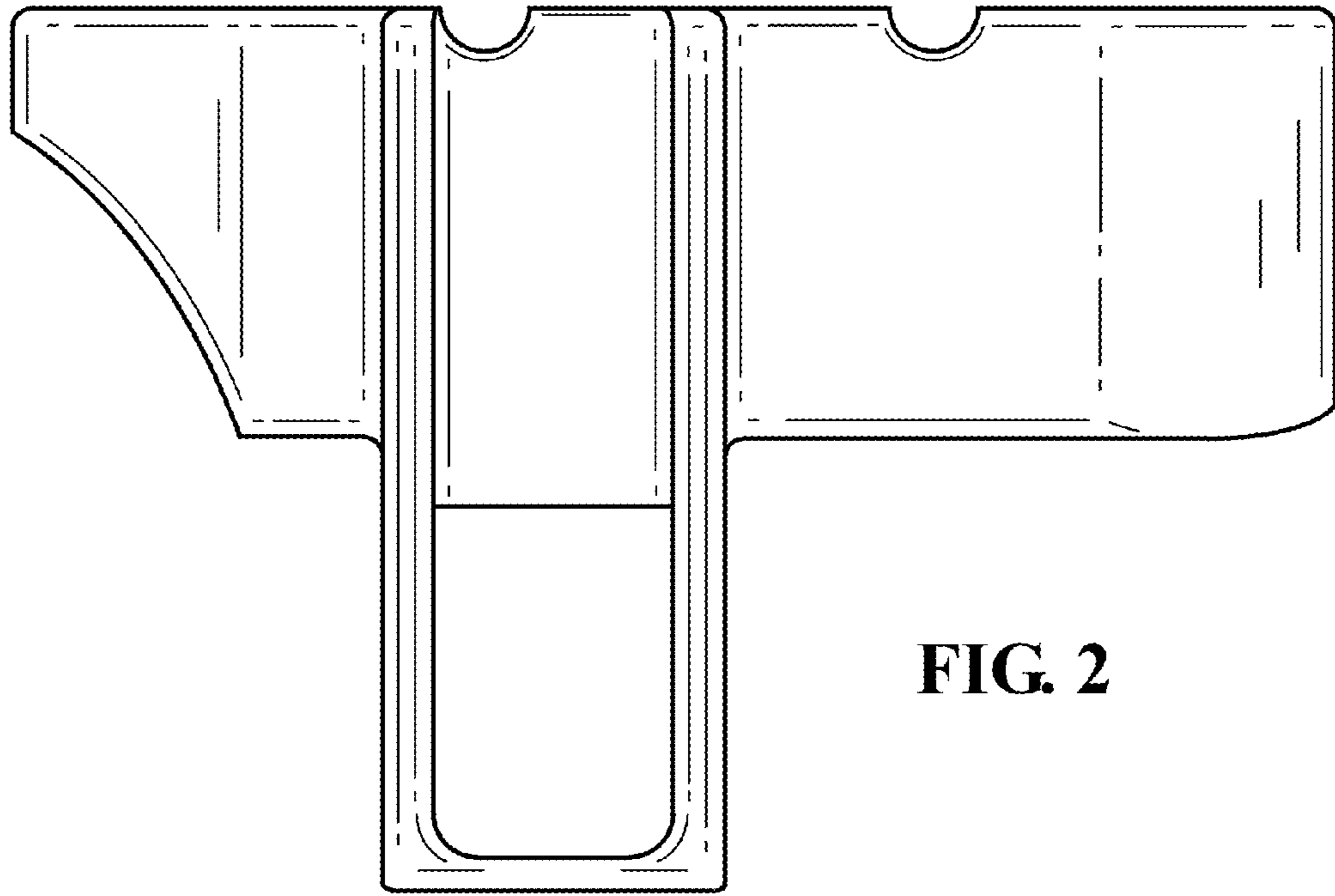
U.S. PATENT DOCUMENTS

D777,422 S \* 1/2017 Karl, IV ..... D3/218  
D805,765 S \* 12/2017 Davis ..... D3/222  
D812,370 S \* 3/2018 Brennan, Jr. .... D3/218

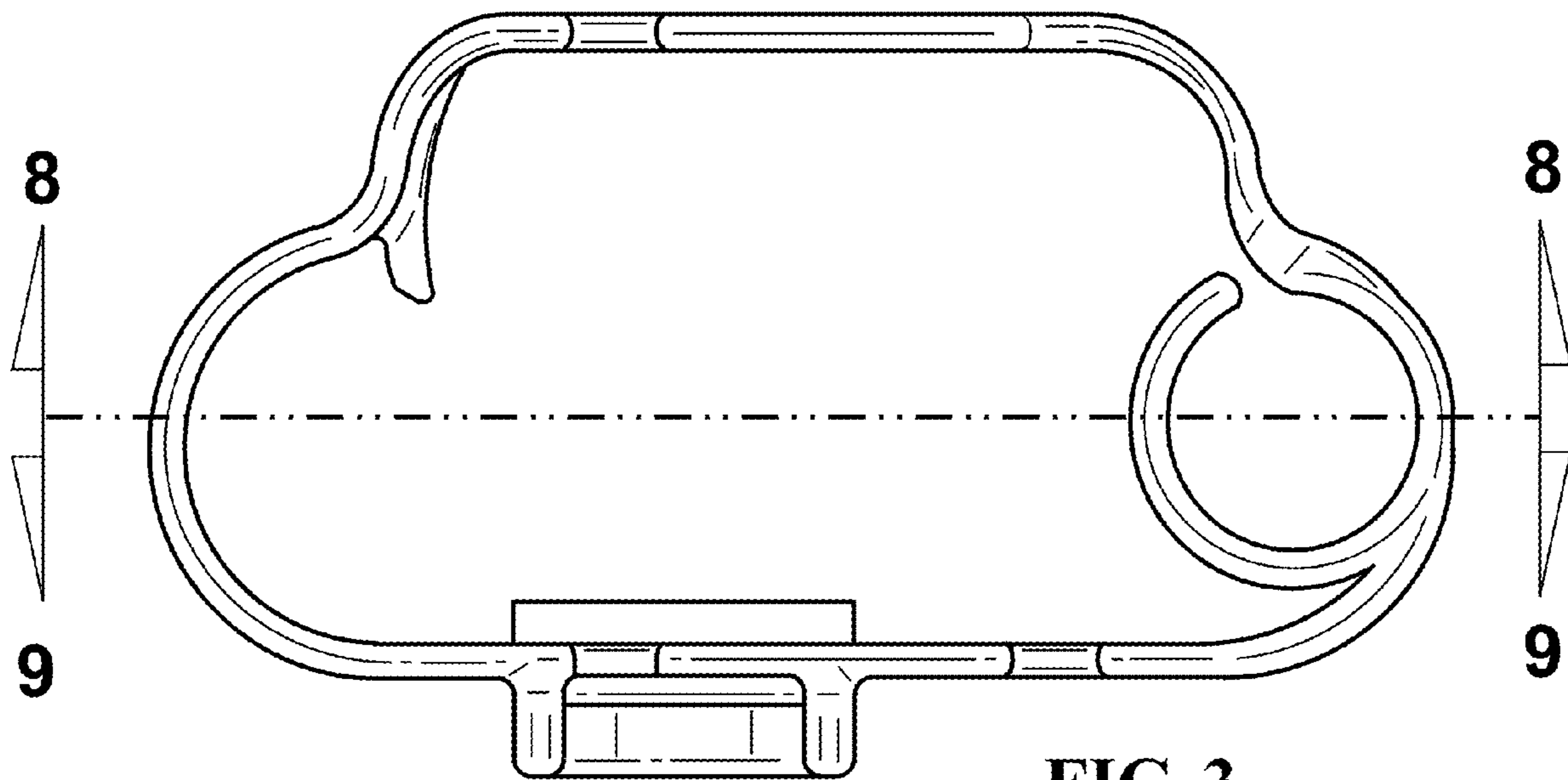
\* cited by examiner



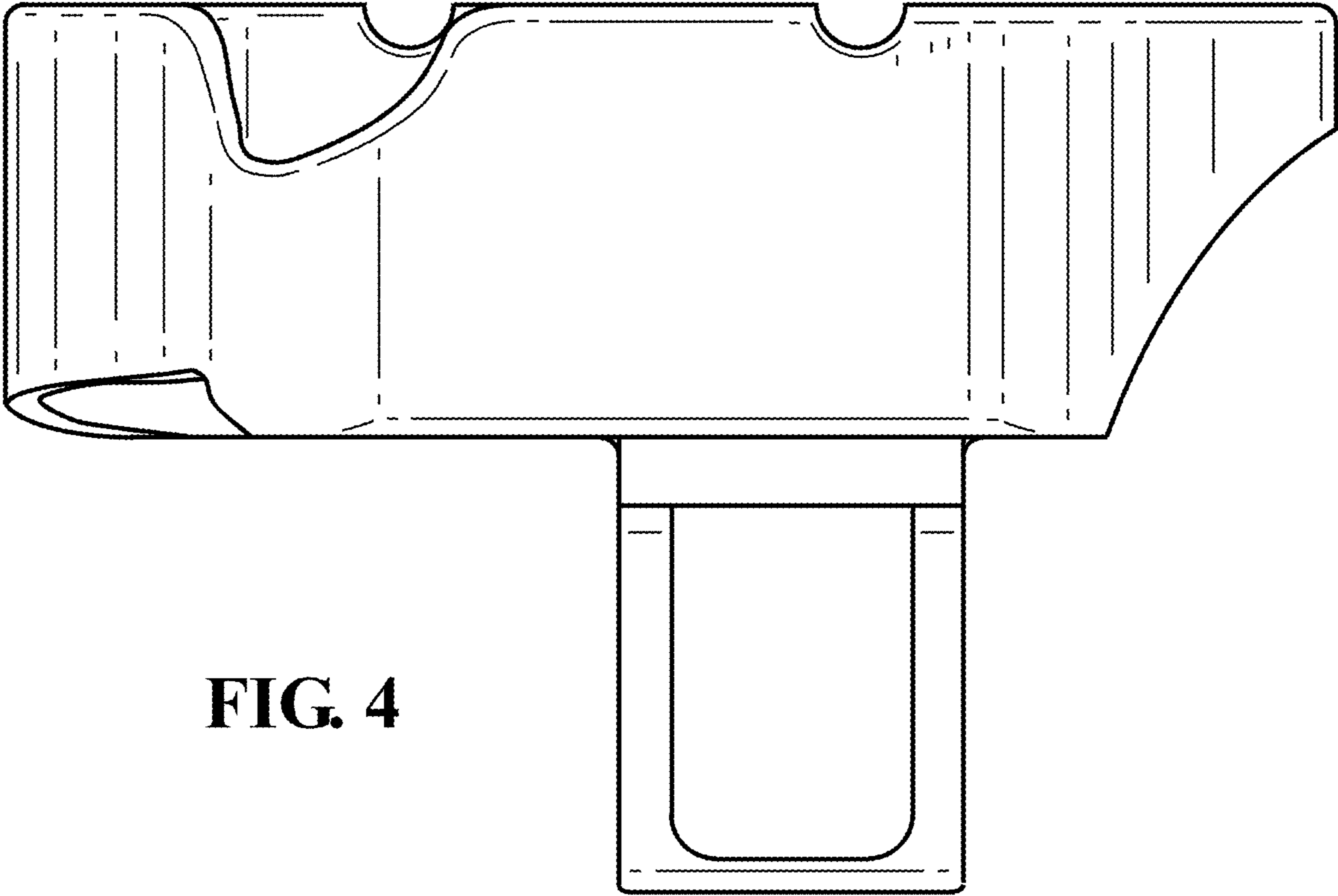
**FIG. 1**



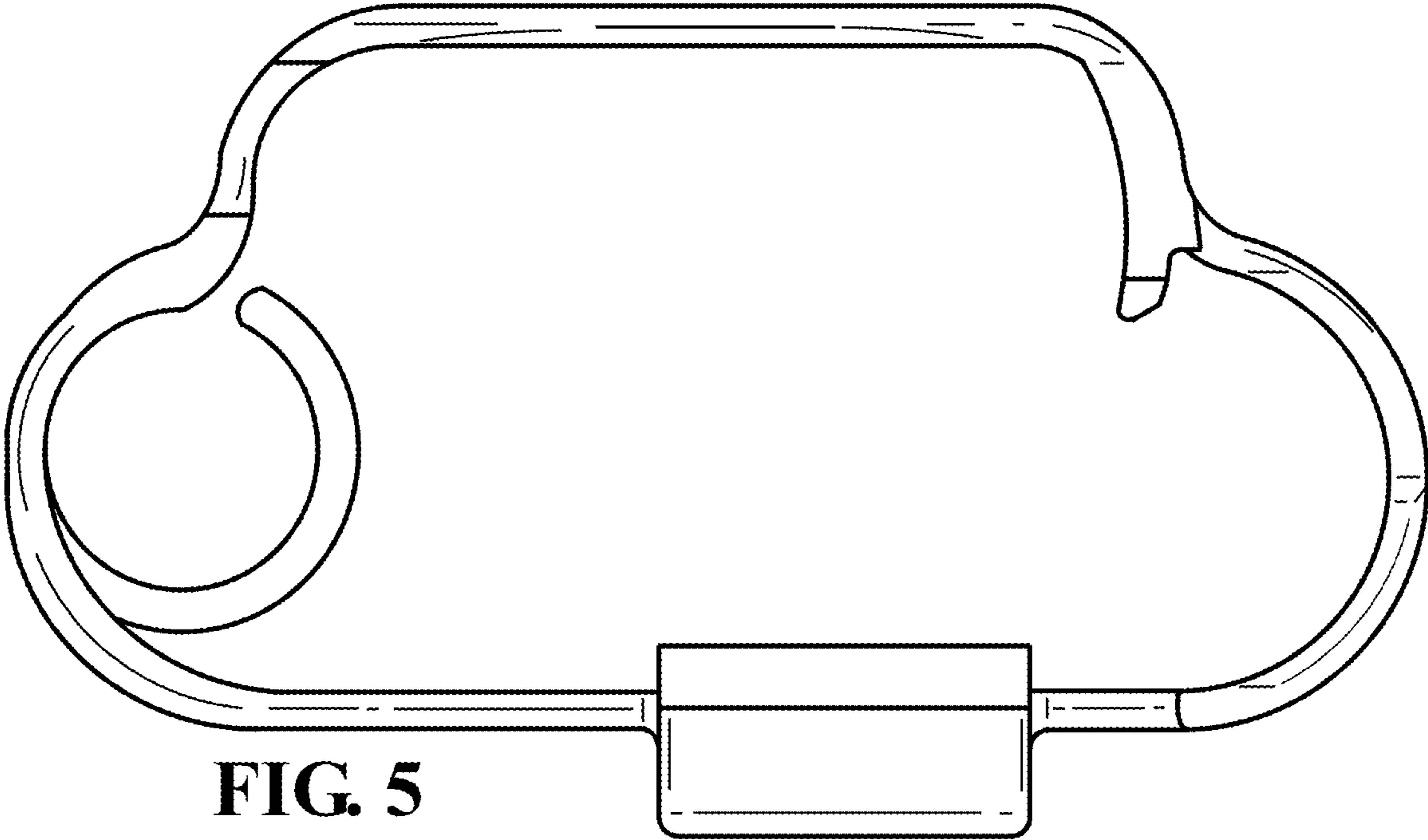
**FIG. 2**



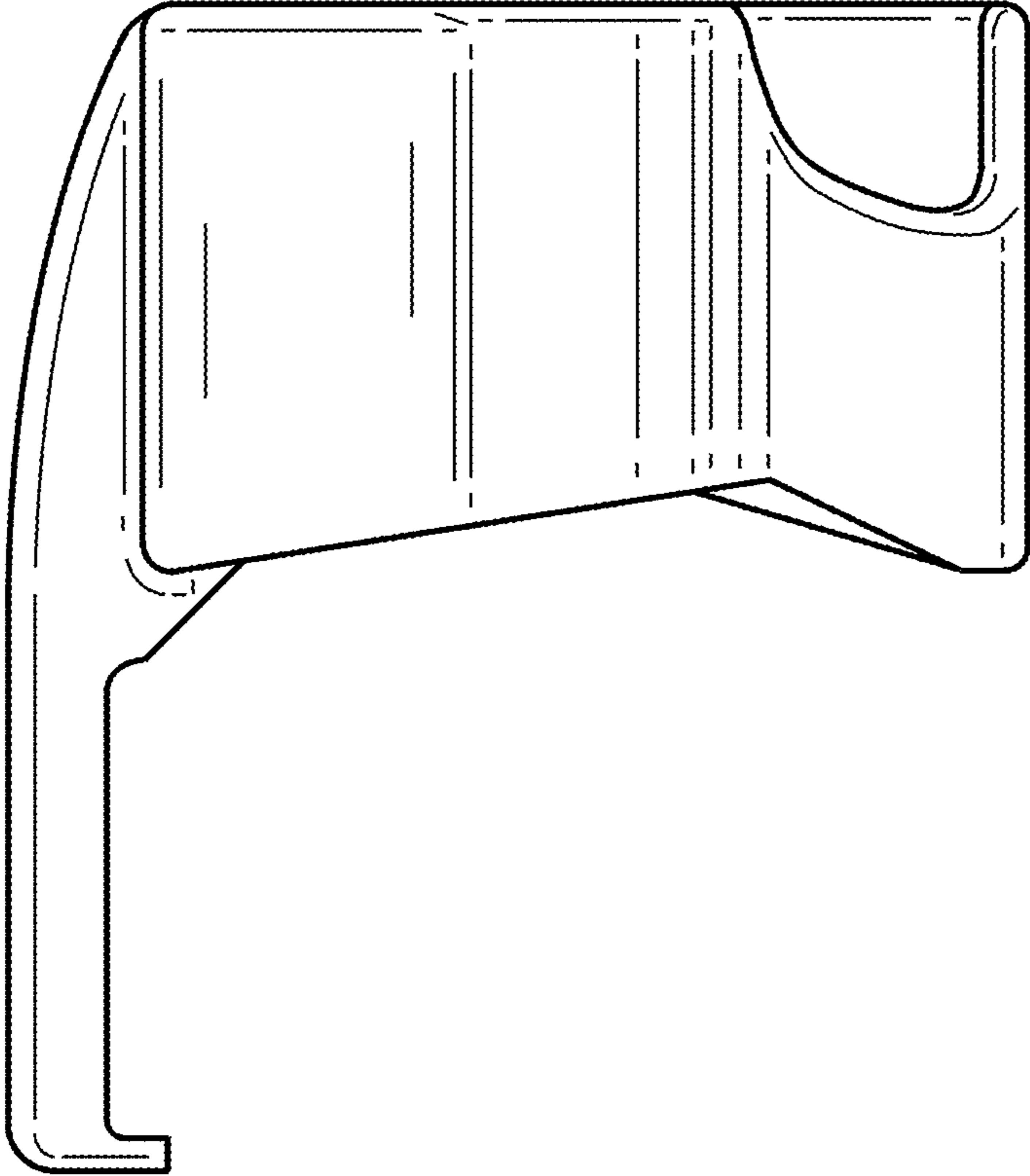
**FIG. 3**



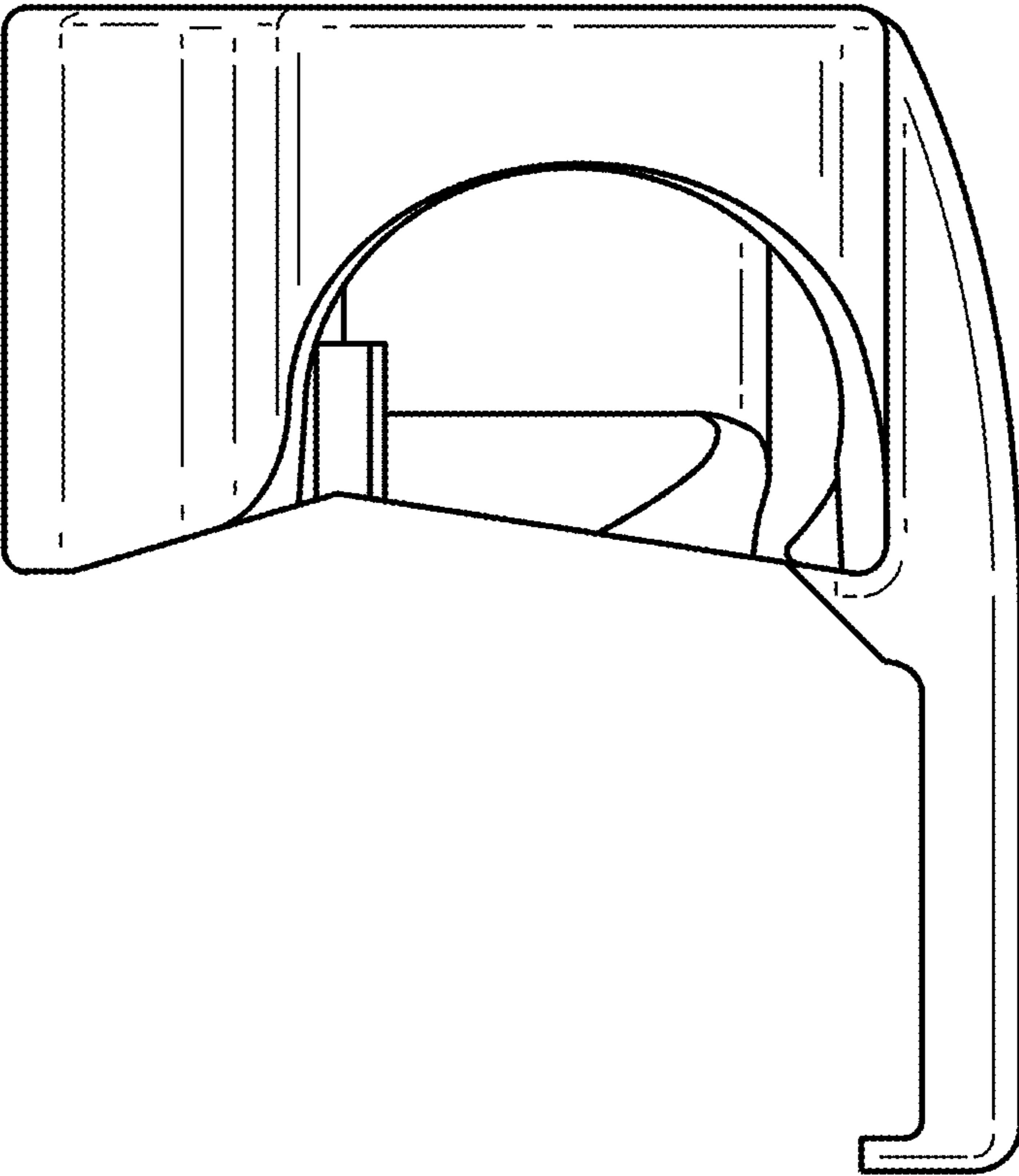
**FIG. 4**



**FIG. 5**



**FIG. 6**



**FIG. 7**

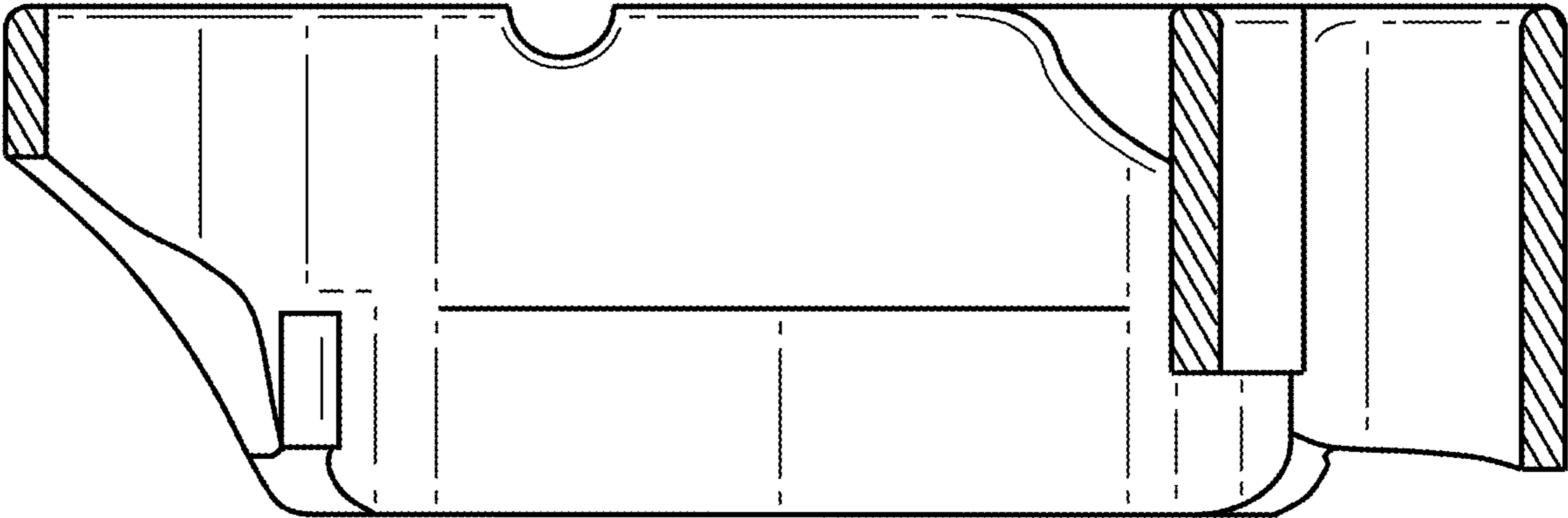


FIG. 8

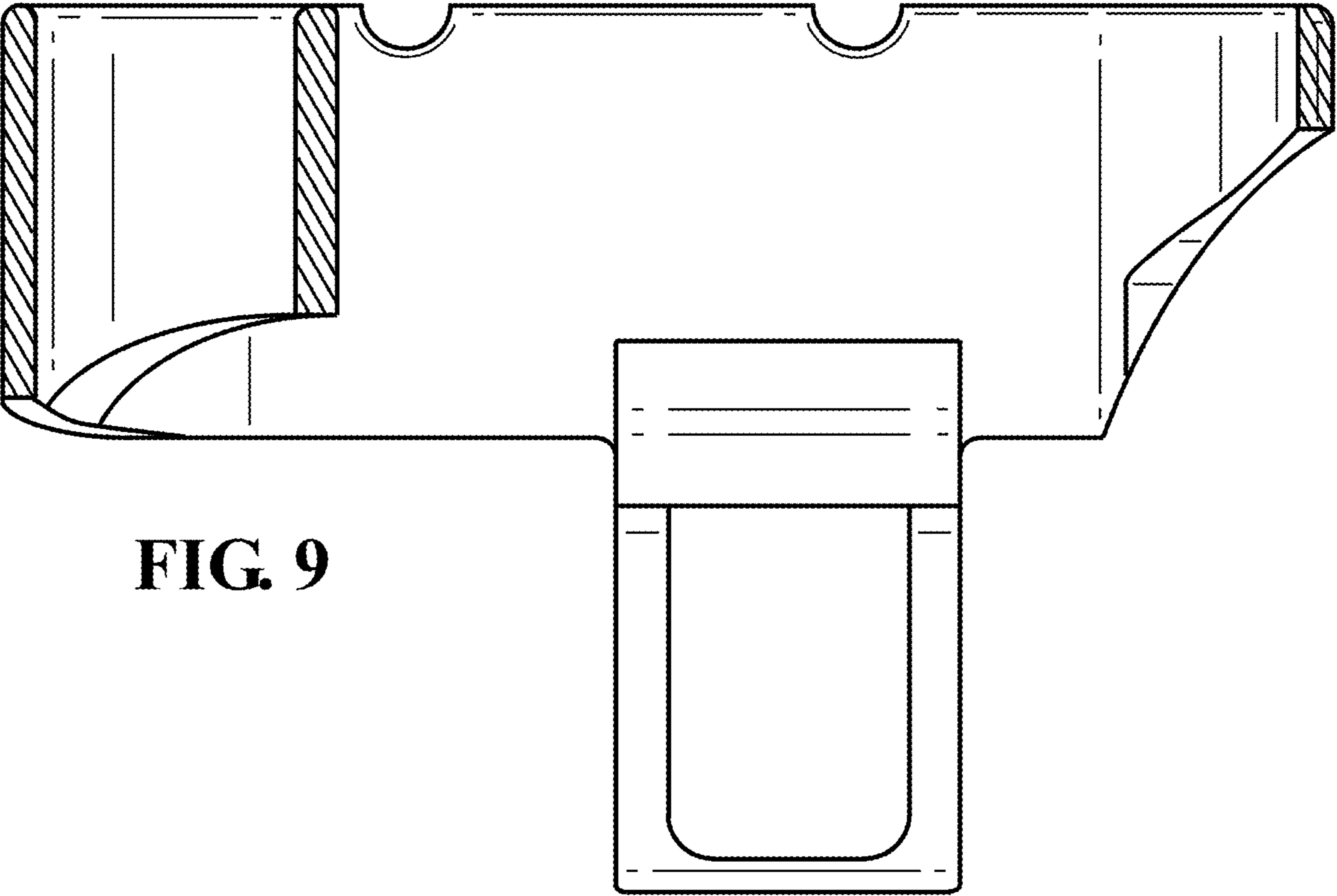
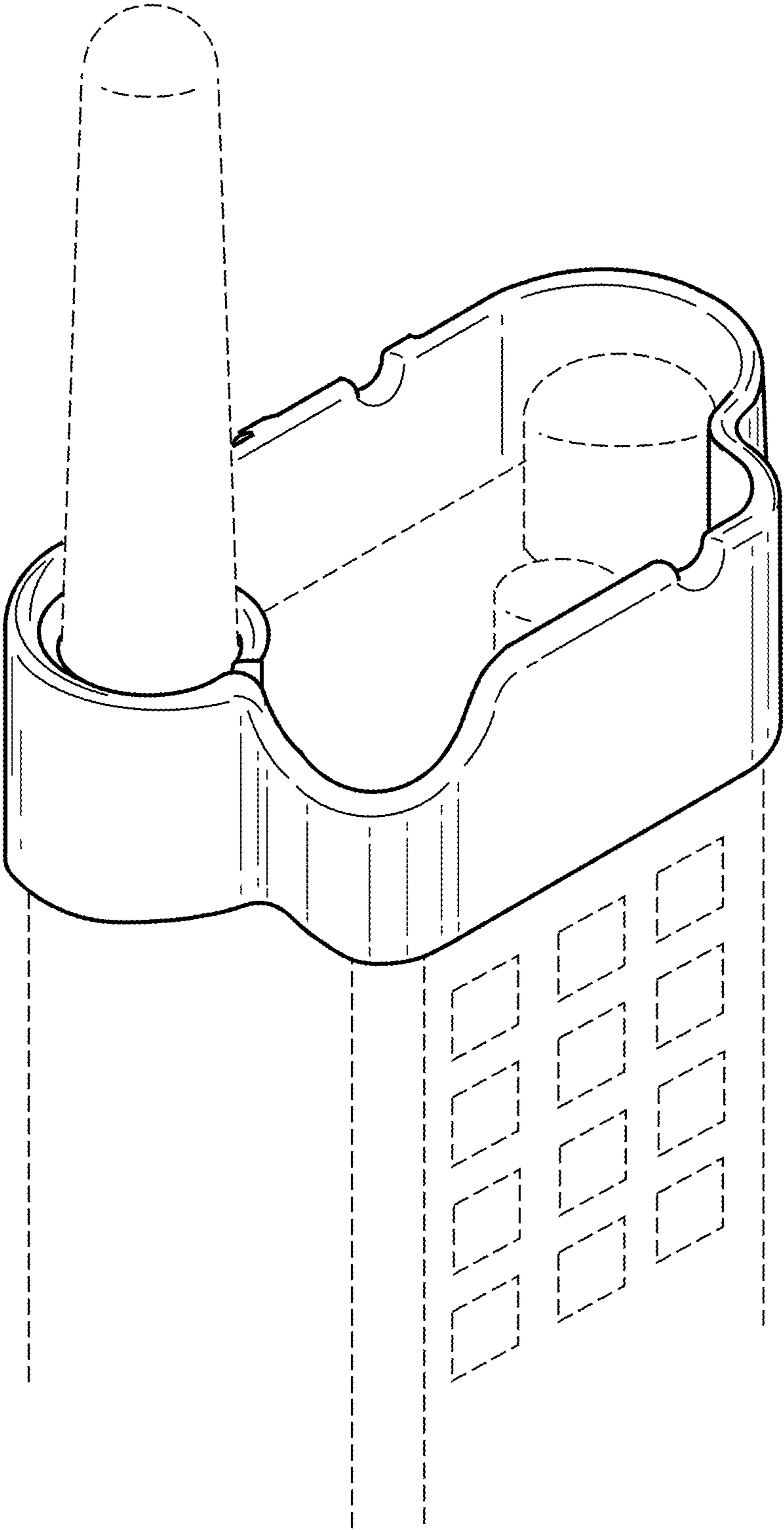


FIG. 9



**FIG. 10**