



US00D915060S

(12) **United States Design Patent** (10) **Patent No.:** **US D915,060 S**  
**Lee** (45) **Date of Patent:** **\*\* Apr. 6, 2021**

(54) **BOX FOR PILLS**  
(71) Applicant: **E-LINK PLASTIC & METAL INDUSTRIAL CO., LTD.**, New Taipei (TW)  
(72) Inventor: **Cheng-Hua Lee**, New Taipei (TW)  
(73) Assignee: **E-LINK PLASTIC & METAL INDUSTRIAL CO., LTD.**, New Taipei (TW)

D430,392 S \* 9/2000 Noble ..... D3/201  
D452,611 S \* 1/2002 Redgrave ..... D3/264  
D457,819 S \* 5/2002 Noble ..... D10/40  
D466,801 S \* 12/2002 Holland ..... D3/203.3  
6,945,401 B2 \* 9/2005 Jopling ..... A45C 11/00  
206/37  
D522,742 S \* 6/2006 Priebe ..... D3/203.3  
D524,537 S \* 7/2006 Priebe ..... D3/203.3  
D525,777 S \* 8/2006 Priebe ..... D3/203.3  
D528,782 S \* 9/2006 Oas ..... D3/203.3  
D545,563 S \* 7/2007 Margiotta ..... D3/203.3  
7,387,207 B2 \* 6/2008 Priebe ..... A61J 1/03  
206/532

(\*\*) Term: **15 Years**

(Continued)

(21) Appl. No.: **29/730,313**  
(22) Filed: **Apr. 2, 2020**  
(51) **LOC (13) Cl.** ..... **03-01**  
(52) **U.S. Cl.**  
USPC ..... **D3/203.3**  
(58) **Field of Classification Search**  
USPC ..... D3/201, 203.1, 203.2, 203.3, 203.4, 273,  
D3/294, 295; D9/420, 421, 756, 757,  
D9/759  
CPC ..... A61J 1/00; A61J 1/03; A61J 7/04; A61J  
7/0084; B65D 1/36; B65D 2583/04;  
B65D 83/04; B65D 83/0445; B65D  
83/0481  
See application file for complete search history.

**OTHER PUBLICATIONS**

Zikee Weekly Pill Organizer, amazon.com, [https://www.amazon.com/Organizer-3-Times-Containers-Vitamin-Supplements/dp/B08DQV5RG9/ref=sr\\_1\\_25?dchild=1&keywords=pill+box&qid=1612290717&sr=8-25](https://www.amazon.com/Organizer-3-Times-Containers-Vitamin-Supplements/dp/B08DQV5RG9/ref=sr_1_25?dchild=1&keywords=pill+box&qid=1612290717&sr=8-25) (Year: 2020).\*

(Continued)

*Primary Examiner* — Steven J Czyz  
(74) *Attorney, Agent, or Firm* — Pai Patent & Trademark Law Firm; Chao-Chang David Pai

(57) **CLAIM**

The ornamental design for a box for pills, as shown.

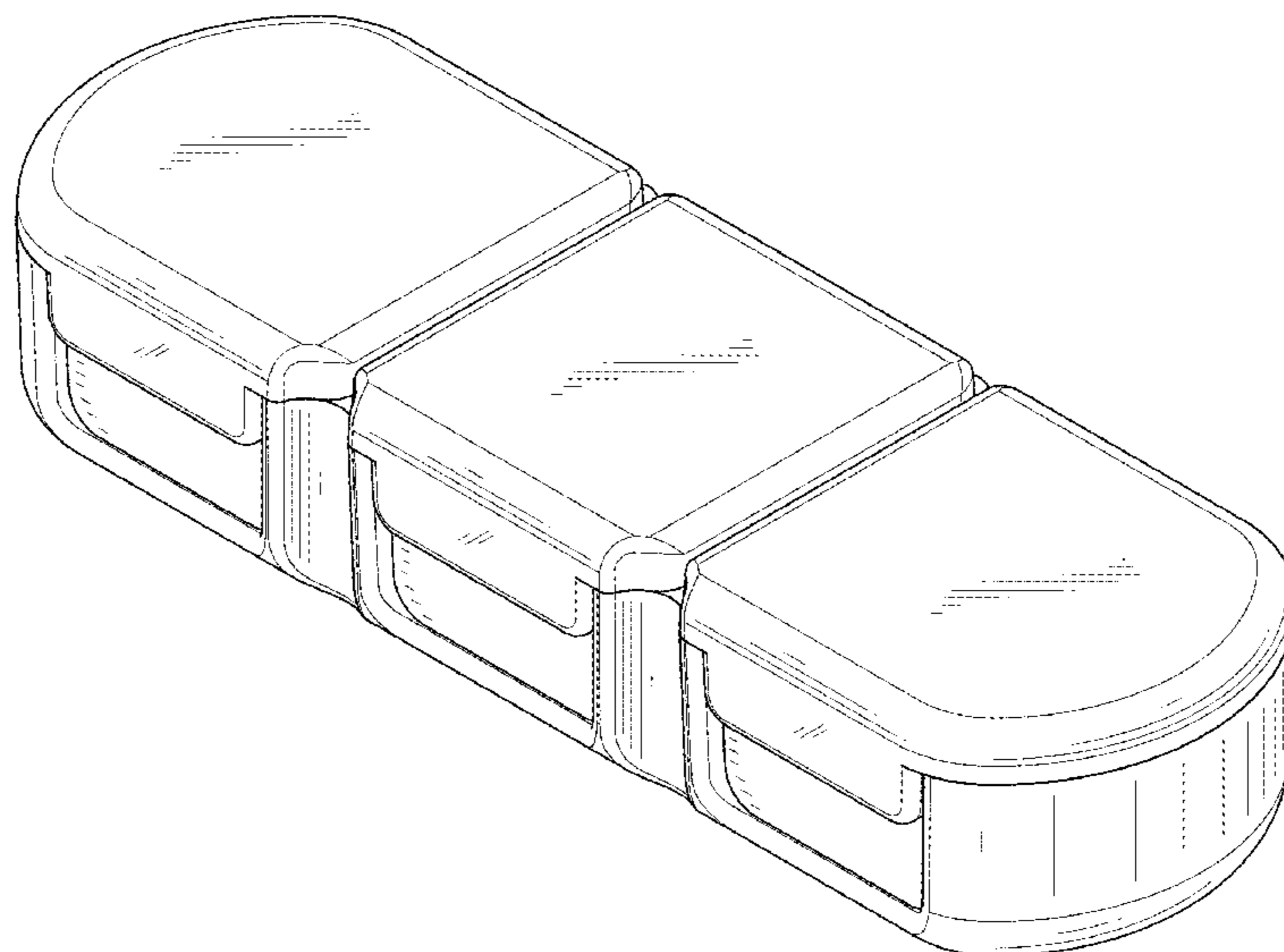
**DESCRIPTION**

FIG. 1 is a perspective view of a box for pills showing my new design;  
FIG. 2 is a front view thereof;  
FIG. 3 is a rear view thereof;  
FIG. 4 is a left side view thereof;  
FIG. 5 is a right side view thereof;  
FIG. 6 is a top view thereof;  
FIG. 7 is a bottom view thereof; and,  
FIG. 8 is a perspective view thereof showing the box for pills when opened.

**1 Claim, 8 Drawing Sheets**

(56) **References Cited**  
U.S. PATENT DOCUMENTS

D281,225 S \* 11/1985 Leman ..... D3/203.3  
4,735,318 A \* 4/1988 Keffeler ..... A61J 1/03  
206/532  
D298,803 S \* 12/1988 Ebling ..... D3/203.3  
4,793,492 A \* 12/1988 Halbich ..... A45C 11/24  
206/538  
D304,905 S \* 12/1989 Zimmerman ..... D3/203.3  
D337,725 S \* 7/1993 Bunin ..... D3/203.3  
D415,958 S \* 11/1999 Noble ..... D3/203.3  
D418,288 S \* 1/2000 Priebe ..... D3/201



(56)

References Cited

U.S. PATENT DOCUMENTS

7,395,929 B2 \* 7/2008 Keffeler ..... B65D 83/0445  
 206/528  
 D576,404 S \* 9/2008 Cooper ..... D3/203.3  
 D587,005 S \* 2/2009 Gardner ..... D3/203.3  
 7,494,012 B1 \* 2/2009 Priebe ..... A61J 1/03  
 206/1.5  
 D587,898 S \* 3/2009 Cetera ..... D3/203.2  
 7,624,890 B2 \* 12/2009 Noble ..... B65D 43/162  
 220/324  
 D612,894 S \* 3/2010 Evans ..... D21/392  
 7,793,785 B2 \* 9/2010 Keffeler ..... B65D 83/04  
 206/538  
 7,798,330 B2 \* 9/2010 Noble ..... B65D 83/04  
 206/538  
 8,174,370 B1 \* 5/2012 Fulmer-Mason ..... A61J 7/0409  
 340/309.16  
 8,381,911 B2 \* 2/2013 Buchner ..... B65D 83/04  
 206/538  
 D684,355 S \* 6/2013 Priebe ..... D3/203.3  
 D686,407 S \* 7/2013 Mazur ..... D3/203.3  
 D691,366 S \* 10/2013 Muncy ..... D3/203.3  
 D696,007 S \* 12/2013 Priebe ..... D3/203.3  
 D696,008 S \* 12/2013 Priebe ..... D3/203.3  
 D696,010 S \* 12/2013 Priebe ..... D3/203.3  
 D696,856 S \* 1/2014 Priebe ..... D3/203.3  
 D697,303 S \* 1/2014 Priebe ..... D3/203.3  
 D698,141 S \* 1/2014 Priebe ..... D3/203.3  
 D698,540 S \* 2/2014 Priebe ..... D3/203.3  
 D703,943 S \* 5/2014 Priebe ..... D3/203.3  
 D709,282 S \* 7/2014 Priebe ..... D3/203.3  
 D727,011 S \* 4/2015 Priebe ..... D3/203.3  
 9,066,849 B2 \* 6/2015 Fung ..... A61J 7/0436  
 9,161,885 B1 \* 10/2015 Zhou ..... A61J 7/0076  
 D747,869 S \* 1/2016 Priebe ..... D3/203.3  
 9,289,354 B2 \* 3/2016 Ryan ..... B65D 25/06

D761,009 S \* 7/2016 Jewell ..... D3/203.3  
 D775,462 S \* 1/2017 Noble ..... D3/203.3  
 D777,419 S \* 1/2017 Noble ..... D3/203.3  
 D799,813 S \* 10/2017 Wartenberg ..... D3/203.3  
 D812,368 S \* 3/2018 Noble ..... D3/203.3  
 9,937,101 B2 \* 4/2018 Sheu ..... B65D 83/0481  
 D831,331 S \* 10/2018 Lee ..... D3/203.3  
 D833,733 S \* 11/2018 Chen ..... D3/203.3  
 10,391,028 B2 \* 8/2019 Deluca ..... A61B 5/1174  
 10,420,703 B1 \* 9/2019 Lee ..... A61J 7/0084  
 D877,489 S \* 3/2020 Lee ..... D3/203.2  
 D882,940 S \* 5/2020 Arn ..... D3/203.3  
 D882,941 S \* 5/2020 Deluca ..... D3/203.3  
 D895,958 S \* 9/2020 Guo ..... D3/203.3  
 D895,959 S \* 9/2020 Guo ..... D3/203.3  
 D897,665 S \* 10/2020 Guo ..... D3/203.3  
 D897,666 S \* 10/2020 Guo ..... D3/203.3  
 D898,344 S \* 10/2020 Lee ..... D3/203.3  
 D898,345 S \* 10/2020 Lee ..... D3/203.3  
 D898,346 S \* 10/2020 Lee ..... D3/203.3  
 D898,348 S \* 10/2020 Guo ..... D3/203.3

OTHER PUBLICATIONS

Auvon,

\* cited by examiner

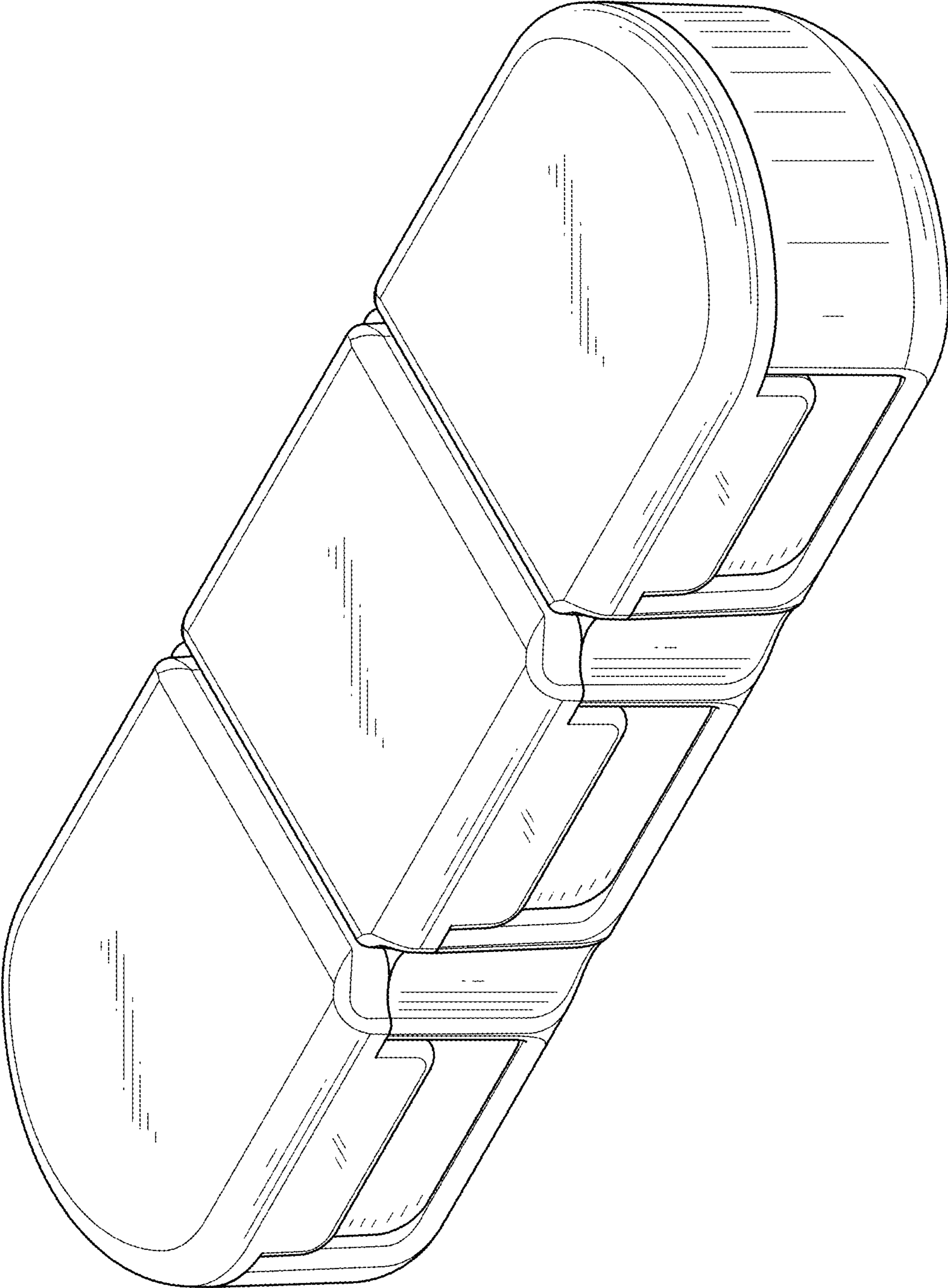


FIG.1



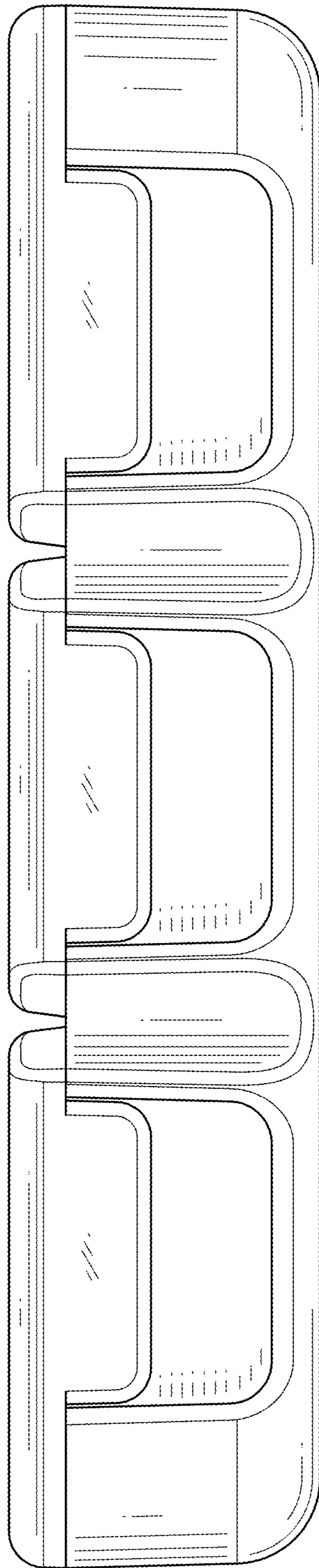


FIG. 2

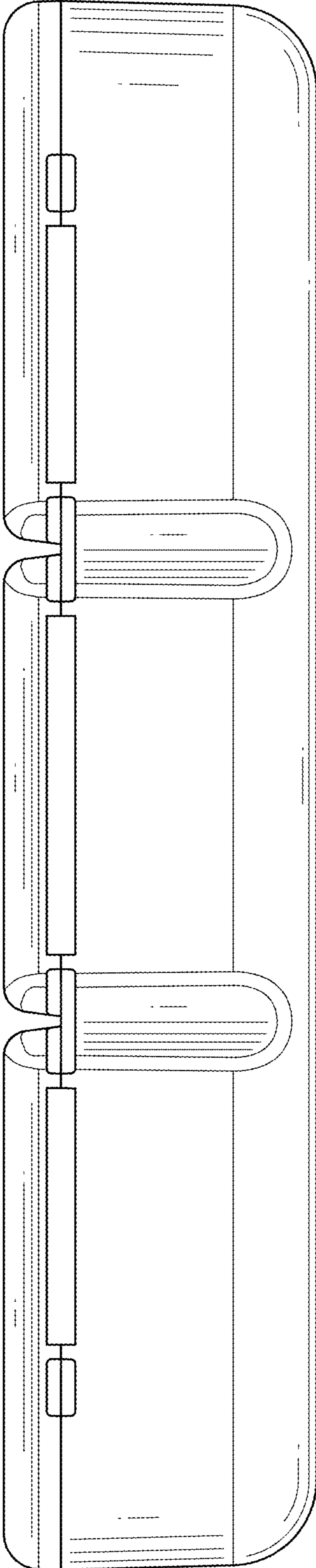


FIG.3

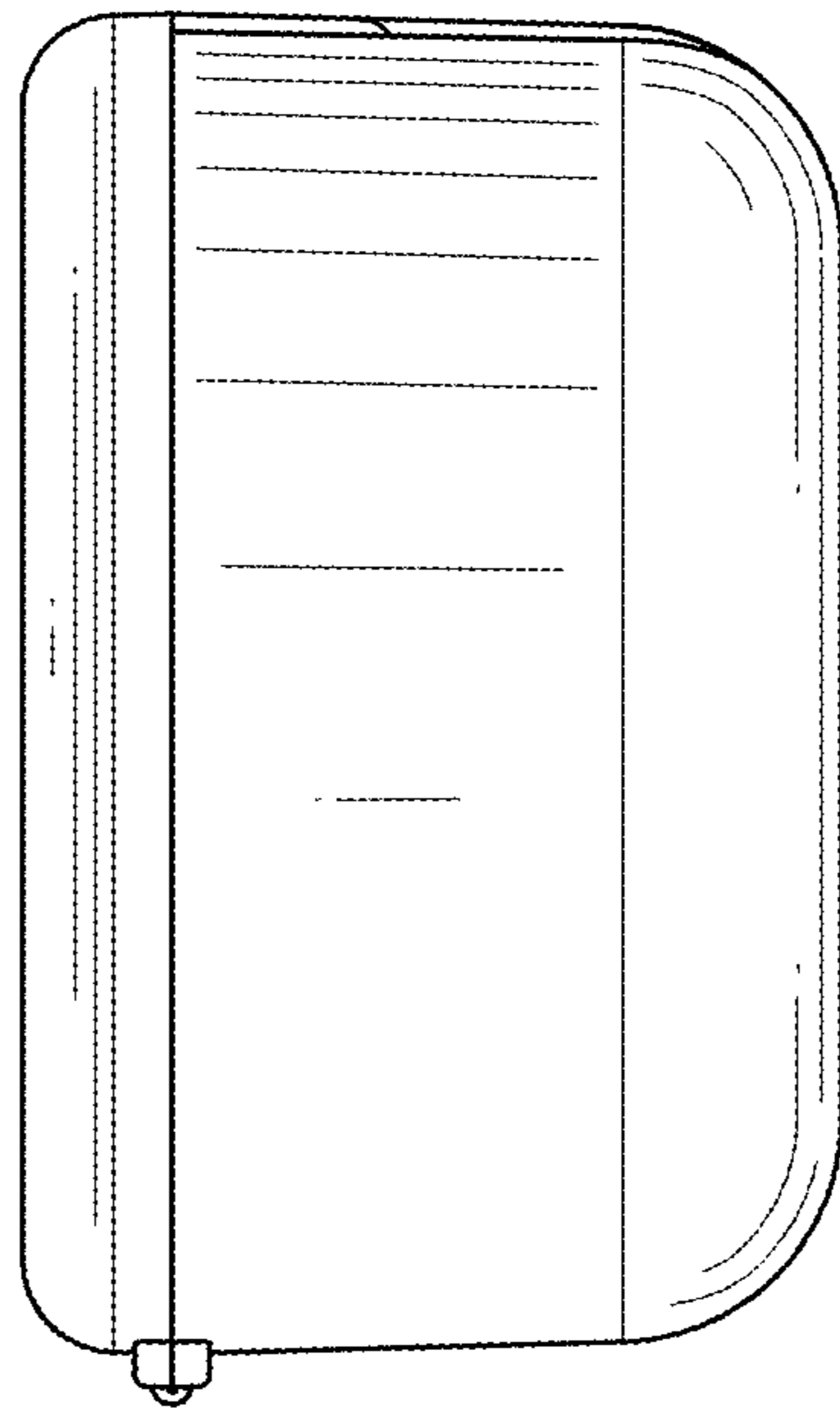


FIG.4

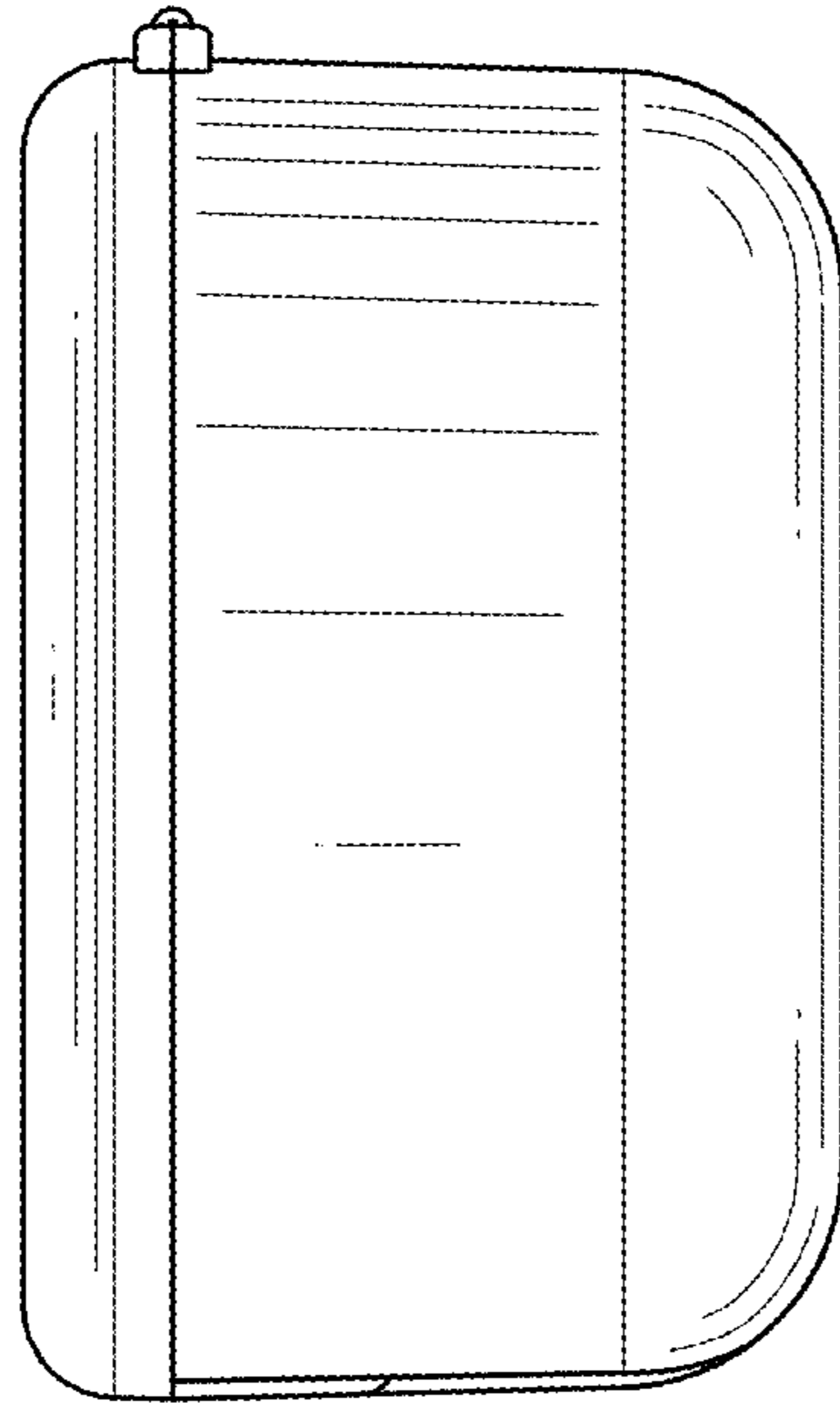


FIG.5

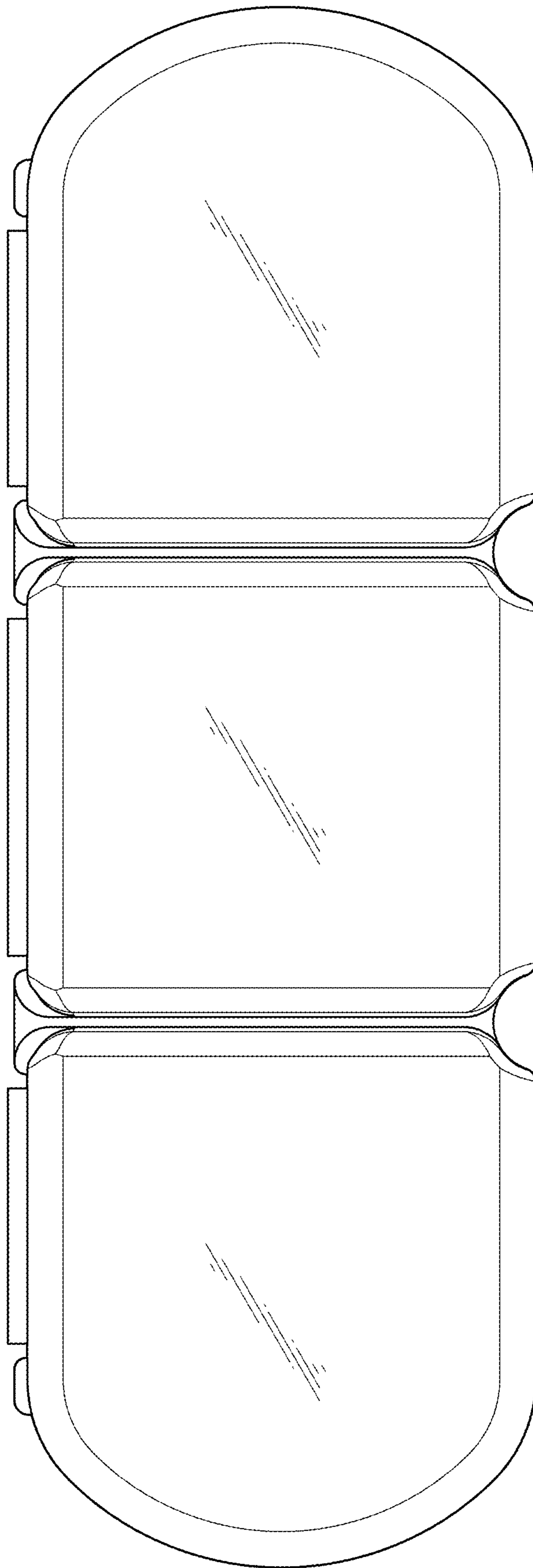


FIG.6



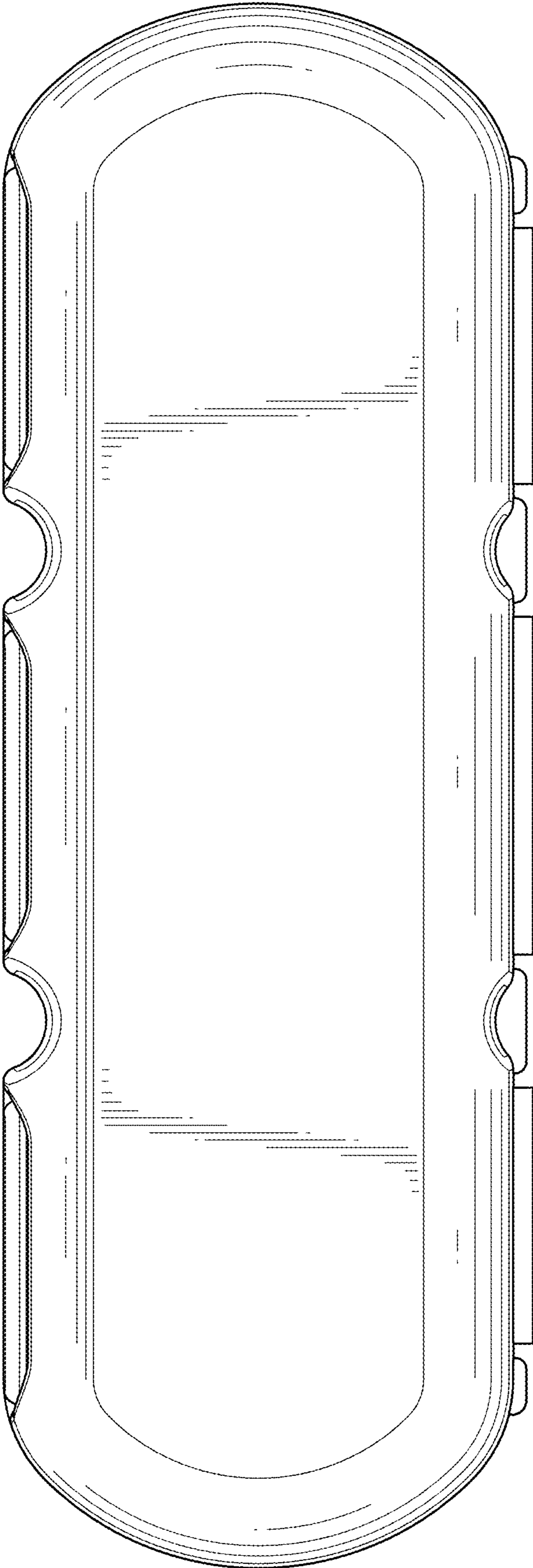


FIG.7

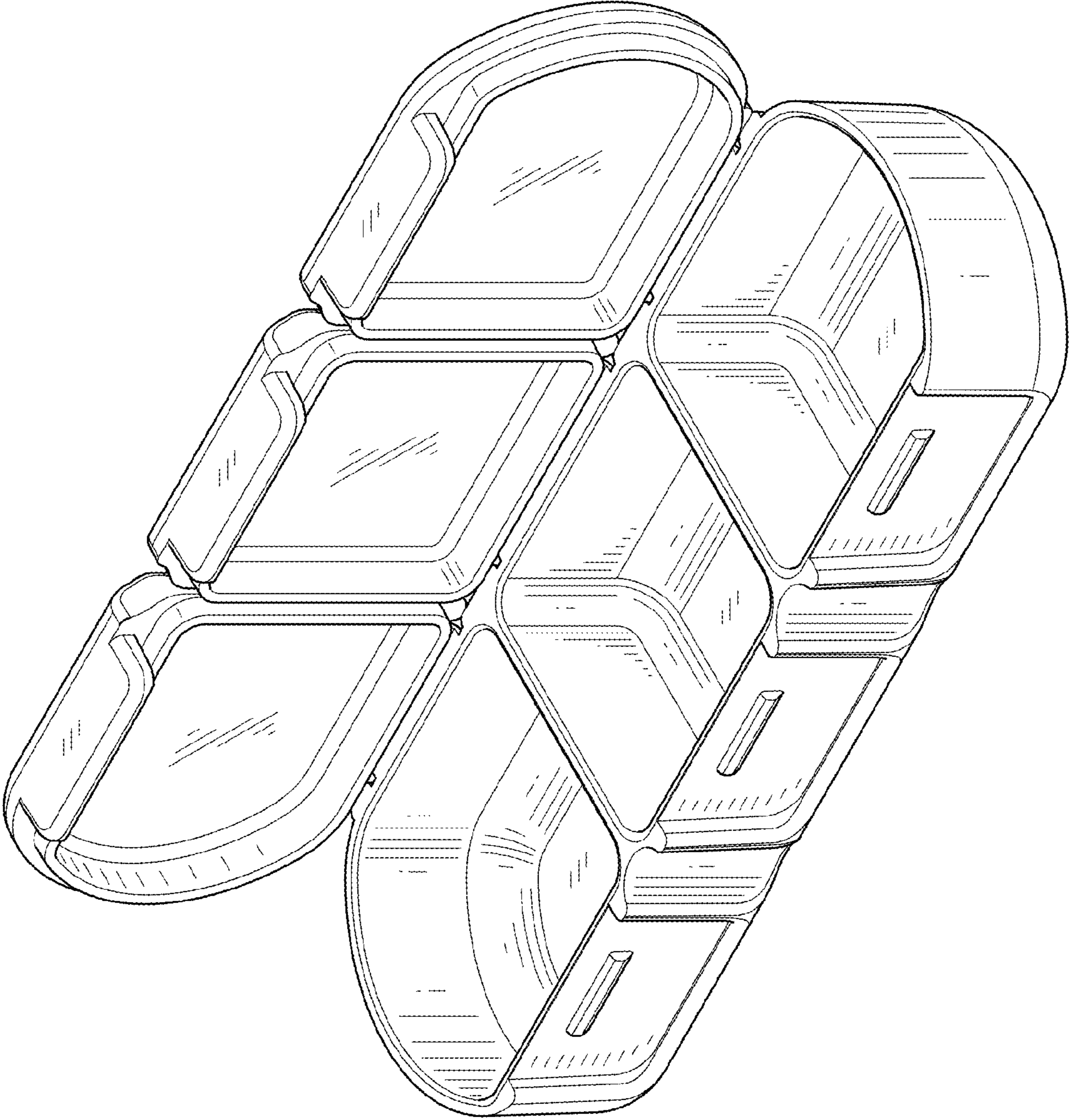


FIG.8