



US00D915059S

(12) **United States Design Patent** (10) **Patent No.:** **US D915,059 S**  
**Wynants** (45) **Date of Patent:** **\*\* Apr. 6, 2021**

(54) **PARASOL**  
(71) Applicant: **Dirk Wynants**, Poperinge (BE)  
(72) Inventor: **Dirk Wynants**, Poperinge (BE)  
(\*\*) Term: **15 Years**  
(21) Appl. No.: **35/506,069**  
(22) Filed: **Nov. 9, 2018**

D413,428 S \* 9/1999 Pease ..... D3/8  
6,202,662 B1 \* 3/2001 Lin ..... A45B 25/22  
135/33.2  
D553,848 S \* 10/2007 Barker ..... D3/9  
D640,464 S \* 6/2011 Forthuber ..... D3/5  
D648,932 S \* 11/2011 Merrell ..... D3/5  
D677,046 S \* 3/2013 Hoogendoorn ..... D3/5  
D759,955 S \* 6/2016 Ma ..... D3/10  
2004/0206383 A1 \* 10/2004 Clarke ..... A45B 25/02  
135/41

(80) **Hague Agreement Data**  
Int. Filing Date: **Nov. 9, 2018**  
Int. Reg. No.: **DM/103689**  
Int. Reg. Date: **Nov. 9, 2018**  
Int. Reg. Pub. Date: **Nov. 23, 2018**

**FOREIGN PATENT DOCUMENTS**

EM 001606690-0001 \* 9/2009  
TN D/2014/63 \* 4/2014

(30) **Foreign Application Priority Data**

May 9, 2018 (EM) ..... 005263506-0001

**OTHER PUBLICATIONS**

Amazon, Sorara Paris Parasol, posted Jan. 16, 2018, [online],  
j[visited Aug. 21, 2019]. Internet, URL: [https://www.amazon.co.uk/SORARA-Parasol-Umbrella-Shading-Polyester/dp/B0792233CJ/ref=olp\\_product\\_details?\\_encoding=UTF8&me=](https://www.amazon.co.uk/SORARA-Parasol-Umbrella-Shading-Polyester/dp/B0792233CJ/ref=olp_product_details?_encoding=UTF8&me=) (Year: 2018).\*  
Architonic, Acacia by extremis, posted 2018, [visited Apr. 20,  
2020]. Internet, <URL: <https://www.architonic.com/en/product/extremis-acacia/20001164>> (Year: 2018).\*

(51) **LOC (13) Cl.** ..... **03-03**  
(52) **U.S. Cl.**  
USPC ..... **D3/10; D3/5**

\* cited by examiner

(58) **Field of Classification Search**  
USPC ..... D3/5, 6, 7, 8, 9, 10, 11, 12, 13, 14, 15,  
D3/16, 17; D23/266; D25/122, 123, 126  
CPC ... A45B 19/00; A45B 2019/004; A45B 21/00;  
A45B 2023/0056; A45B 2023/0031;  
A45B 2023/0043; A45B 19/04; A45B  
19/06; A45B 19/08; A45B 19/10  
See application file for complete search history.

*Primary Examiner* — George D. Kirschbaum  
*Assistant Examiner* — Samantha N Wood

(57) **CLAIM**

The ornamental design for a parasol, as shown and described.

(56) **References Cited**

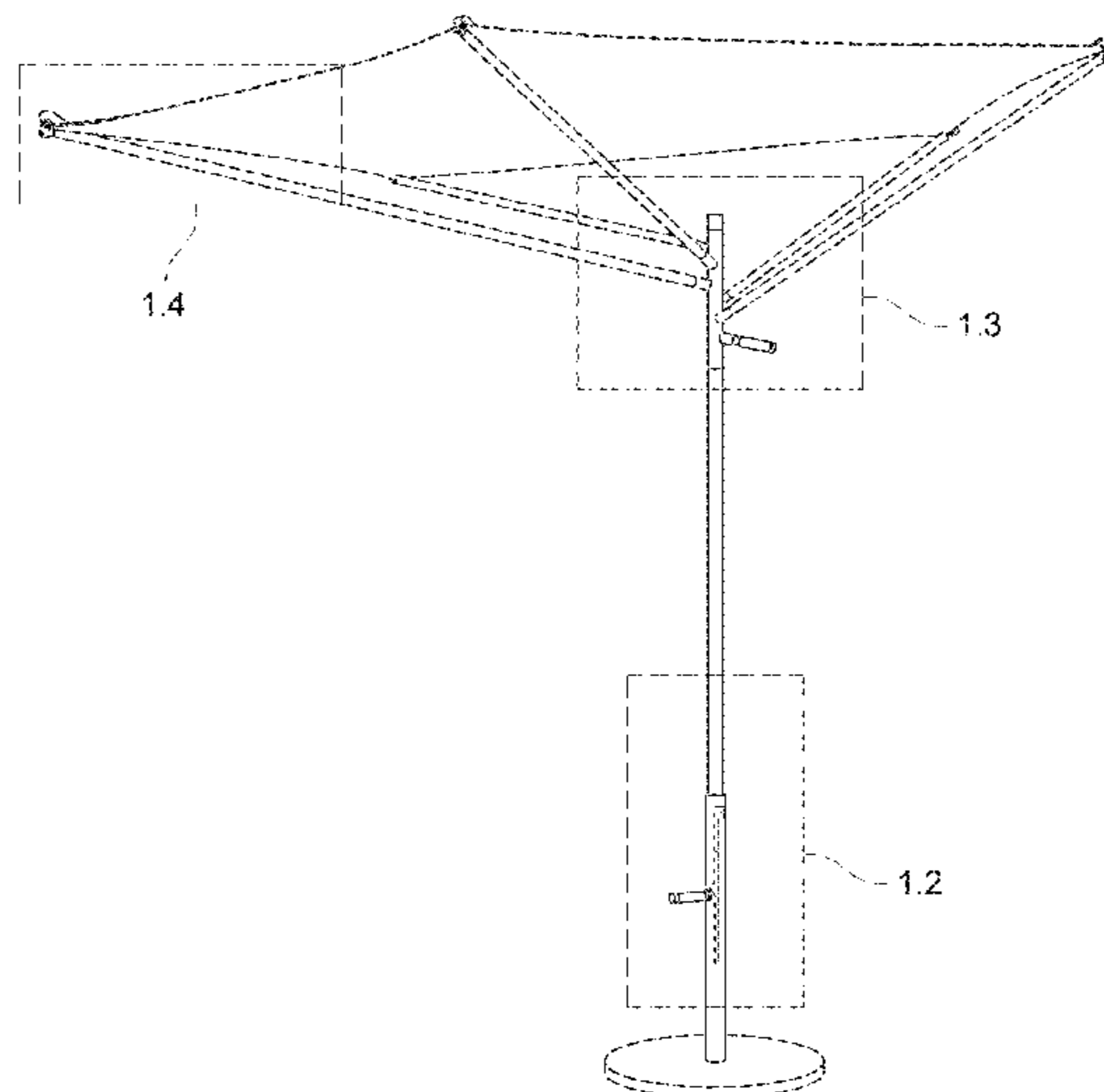
**U.S. PATENT DOCUMENTS**

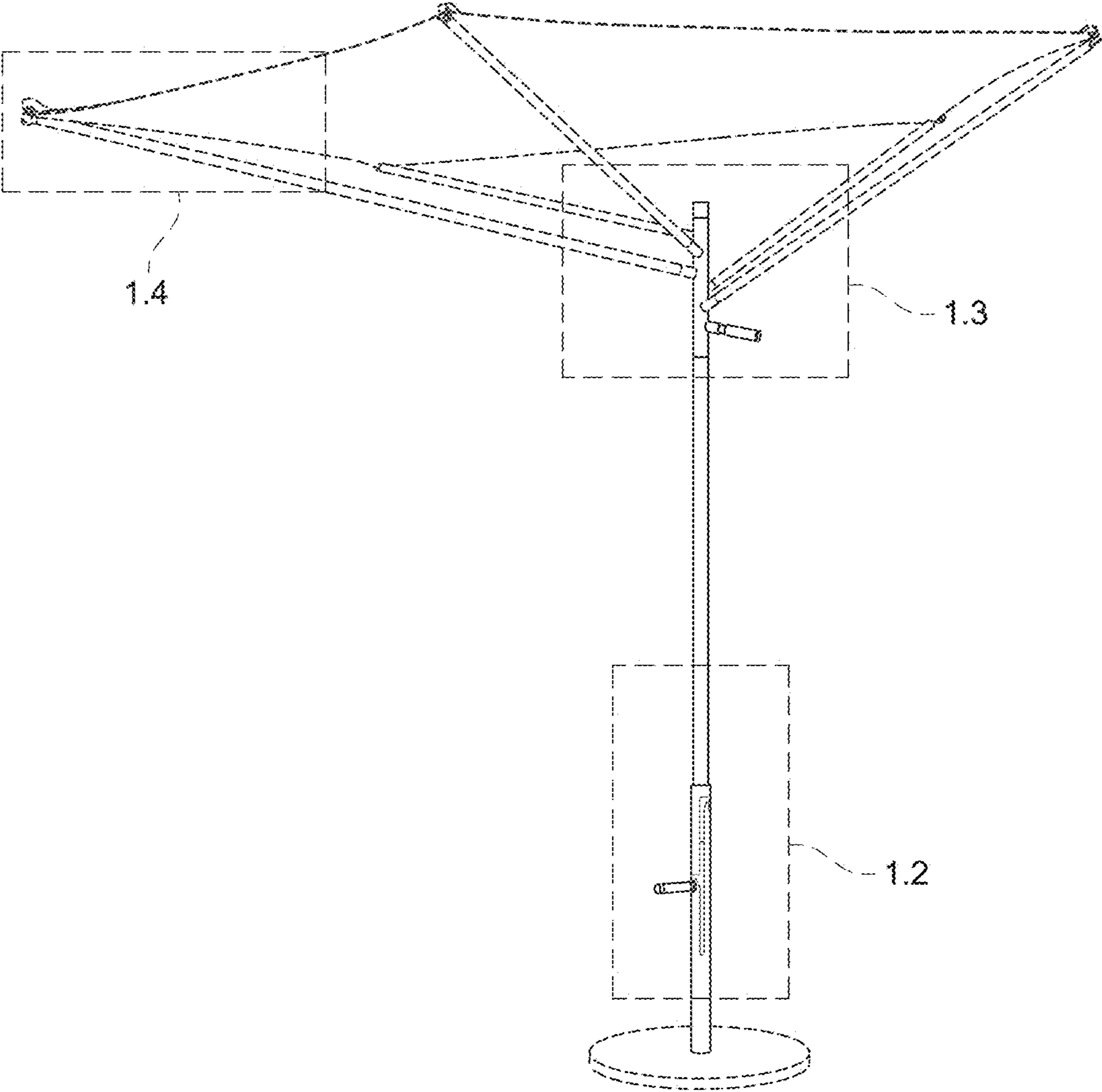
3,744,503 A \* 7/1973 Wolff ..... A45B 25/14  
135/20.3  
3,765,433 A \* 10/1973 Futamura ..... A45B 25/16  
135/15.1  
4,368,749 A \* 1/1983 Lindler ..... A45B 25/02  
135/15.1  
D348,925 S \* 7/1994 Miller ..... D23/266

**DESCRIPTION**

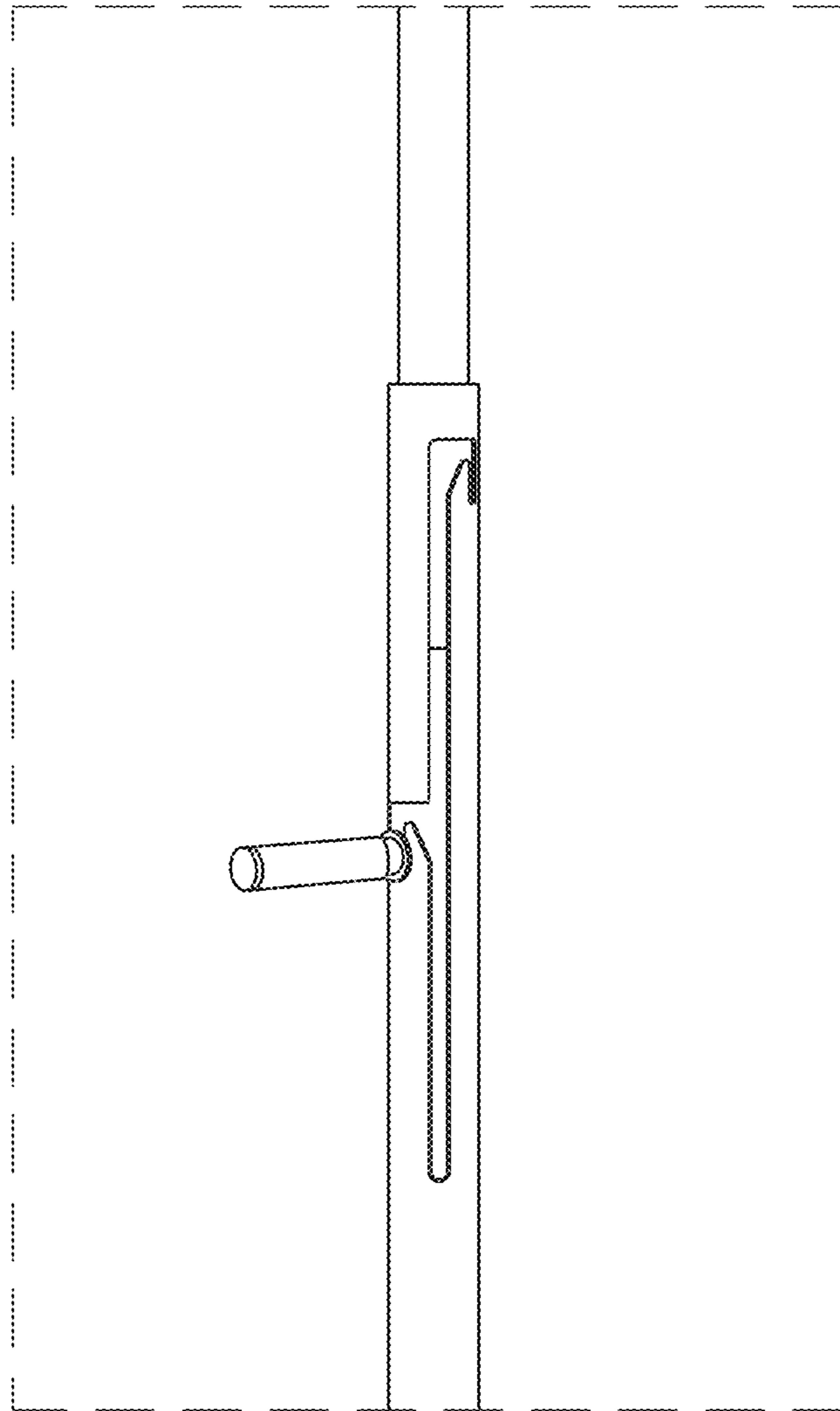
FIG. 1.1 is a perspective view of a parasol;  
FIG. 1.2 is an enlarged portion of FIG. 1.1;  
FIG. 1.3 is another enlarged portion of FIG. 1.1;  
FIG. 1.4 is yet another enlarged portion of FIG. 1.1.  
The broken lines in the drawing are included for the purpose  
of illustrating subject matter that forms no part of the  
claimed design.

**1 Claim, 4 Drawing Sheets**

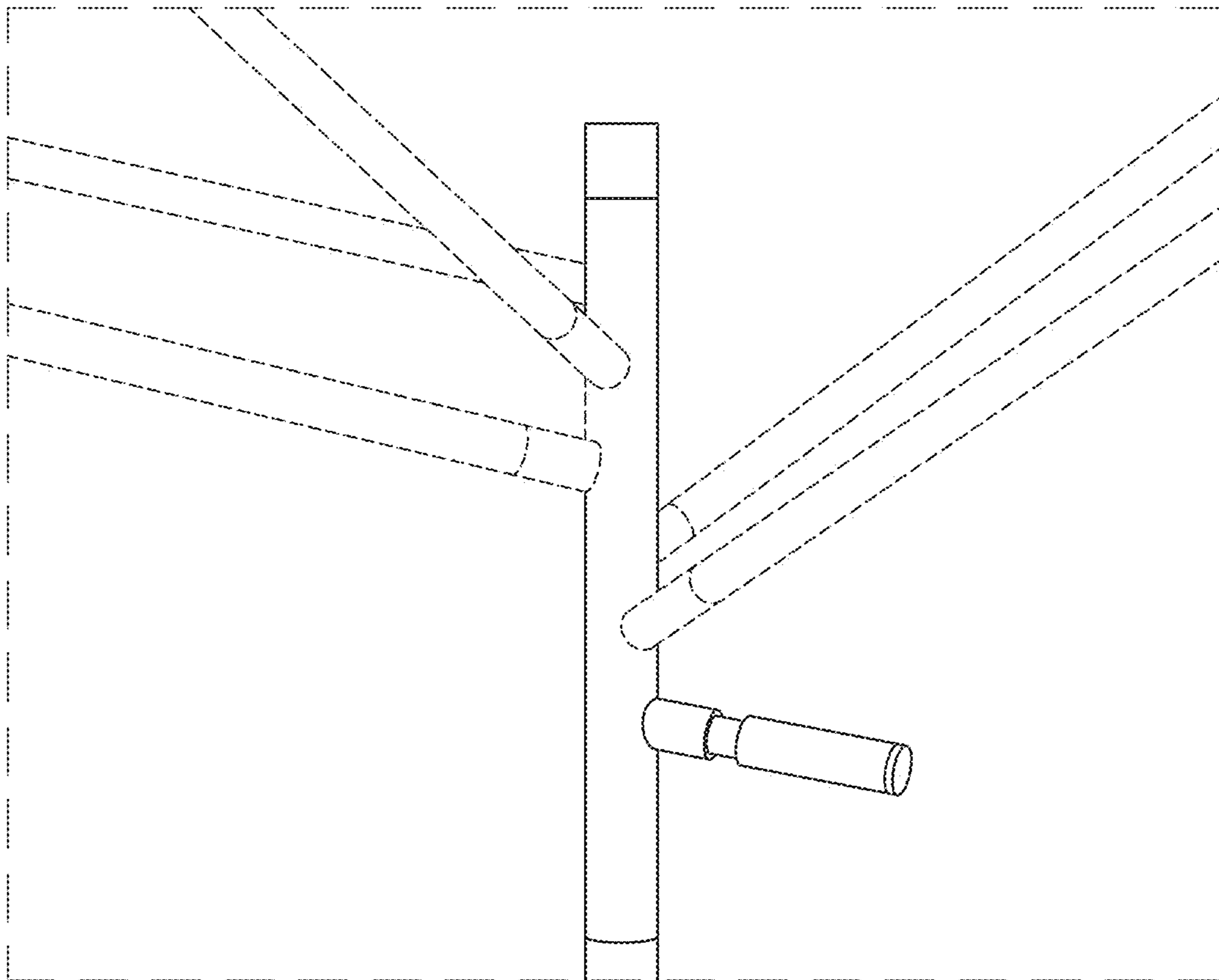




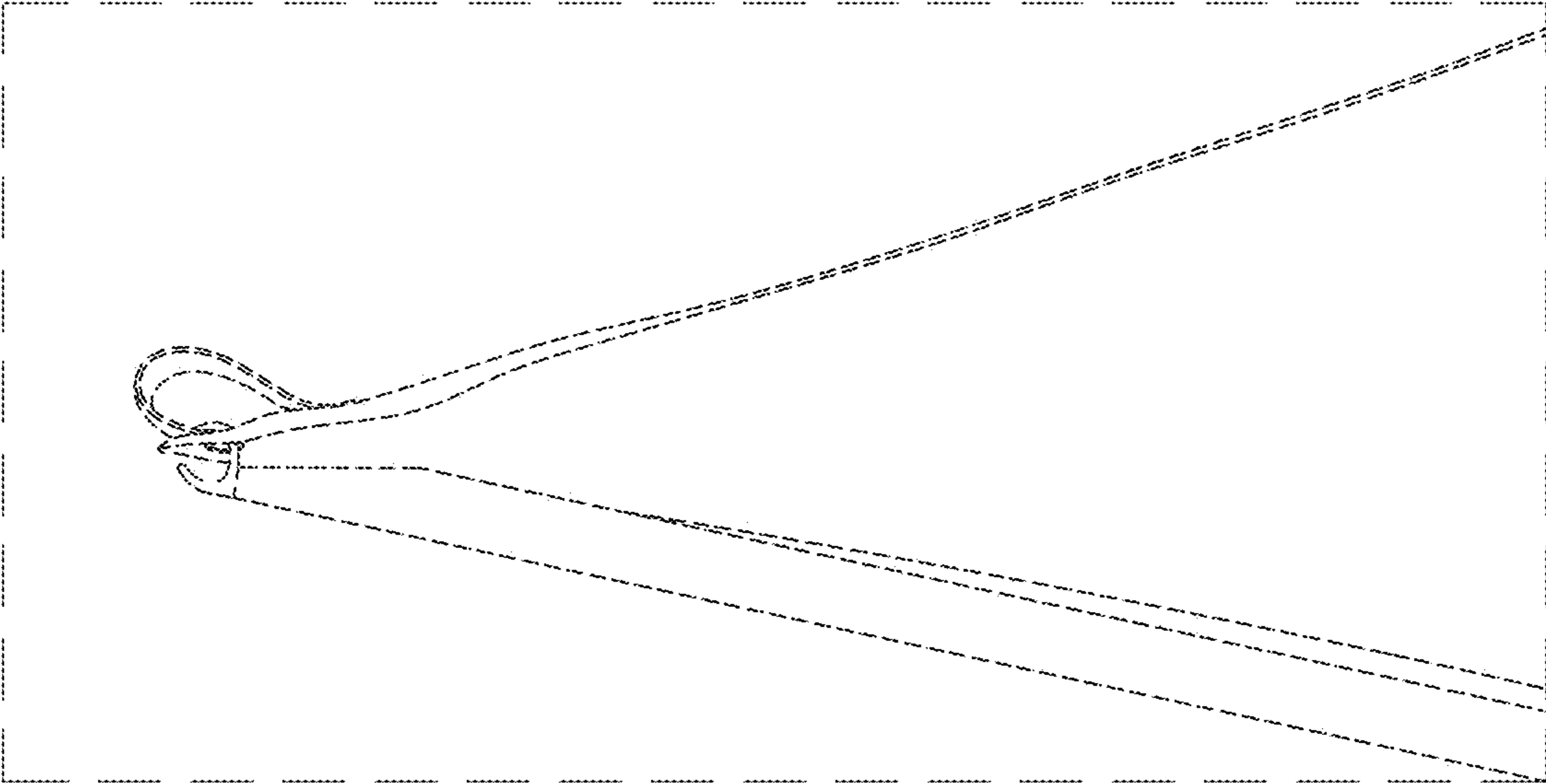
1.1



1.2



1.3



1.4