



US00D915030S

(12) **United States Design Patent** (10) **Patent No.:** **US D915,030 S**
Pirenne et al. (45) **Date of Patent:** **** Apr. 6, 2021**

(54) **SHORTS**

(71) Applicant: **LULULEMON ATHLETICA CANADA INC.**, Vancouver (CA)

(72) Inventors: **Eliot Jean Cohen Pirenne**, Vancouver (CA); **Willem Jacob Deurloo**, Vancouver (CA)

(73) Assignee: **LULULEMON ATHLETICA CANADA INC.**, Vancouver (CA)

(**) Term: **15 Years**

(21) Appl. No.: **29/678,551**

(22) Filed: **Jan. 29, 2019**

(51) **LOC (13) Cl.** **02-02**

(52) **U.S. Cl.**
USPC **D2/731**

(58) **Field of Classification Search**
USPC D2/731, 738, 711, 712, 716, 728, 742, D2/857
CPC A41D 1/08; A41D 1/089; A41D 27/205; A41D 27/20
See application file for complete search history.

(56) **References Cited**

U.S. PATENT DOCUMENTS

| | | | | |
|--------------|---------|------------|-------|--------|
| D266,540 S * | 10/1982 | Nacinovich | | D2/738 |
| D302,623 S * | 8/1989 | Robinson | | D2/712 |
| D313,692 S * | 1/1991 | Karn | | D2/738 |
| D615,279 S * | 5/2010 | Savage | | D2/731 |
| D661,464 S * | 6/2012 | Wilson | | D2/738 |
| D661,871 S * | 6/2012 | Savage | | D2/742 |
| D673,347 S * | 1/2013 | Sumpton | | D2/738 |

(Continued)

Primary Examiner — Michelle E. Wilson

Assistant Examiner — Clese Moore, Jr.

(74) *Attorney, Agent, or Firm* — Conneely PC; Joseph Conneely

(57) **CLAIM**

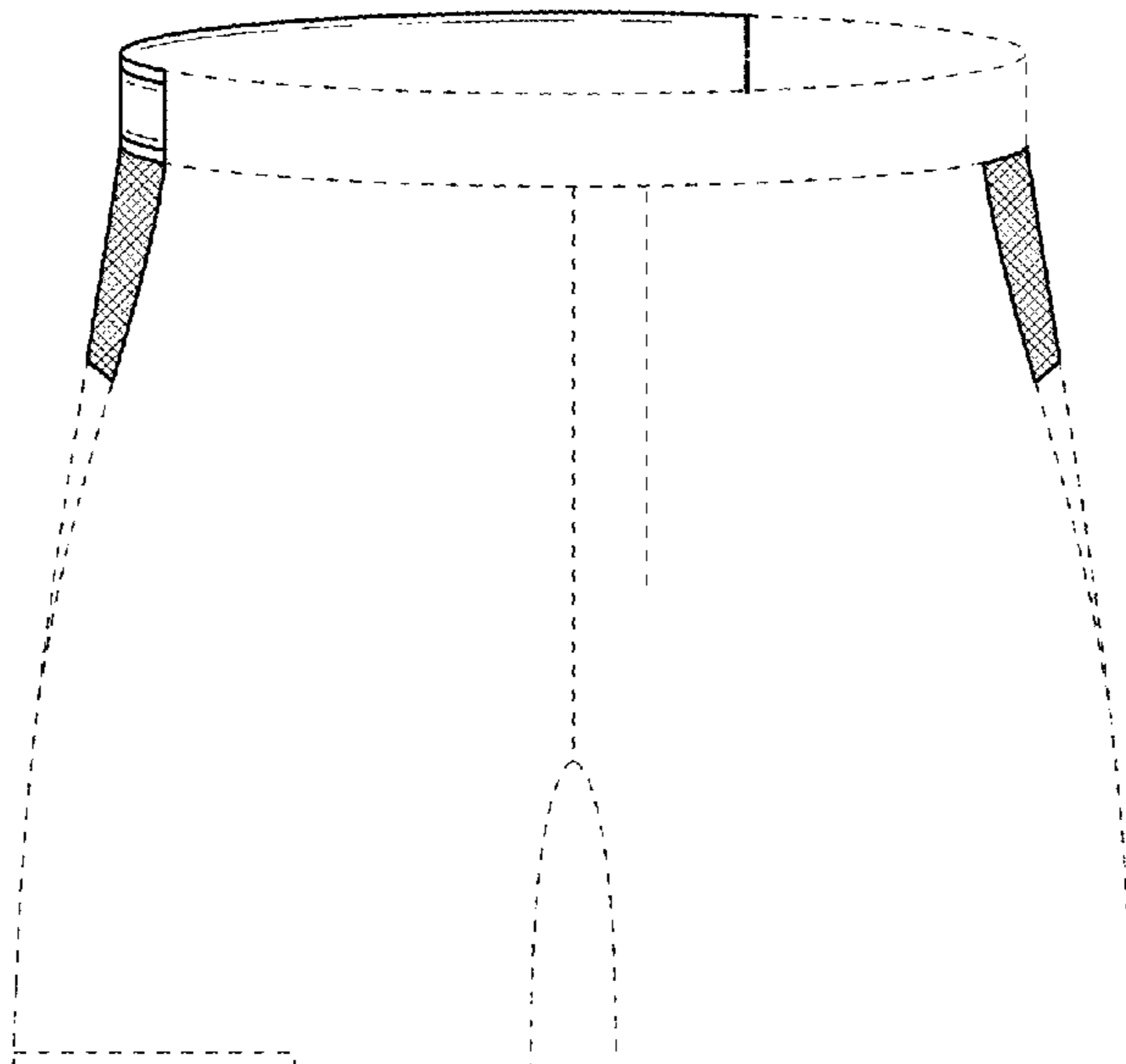
The ornamental design for shorts, as shown and described.

DESCRIPTION

FIG. 1 is a front view of shorts according to the design; FIG. 2 is a rear view thereof; FIG. 3 is a left side view thereof; FIG. 4 is a right side view thereof; FIG. 5 is a front perspective view thereof; FIG. 6 is a rear perspective view thereof; FIG. 7 is a rear perspective view thereof shown in an environment of use with an item shown in the rear pocket of the shorts; FIG. 8 is rear perspective view thereof shown in an environment of use with an item shown in the waistband strap of the shorts; and, FIG. 9 is a front perspective view thereof shown in an environment of use with the right leg of the shorts shown in a pulled-up position and an item shown in the media pocket in the liner of the shorts.

The portions of the shorts shown in broken lines in FIGS. 1-9 do not form part of the claimed design. The broken line showing of the legs and torso in FIGS. 7-9, the item in the rear pocket of the shorts in FIG. 7, the item in the waistband strap of the shorts in FIG. 8, and the item in the media pocket in the liner of the shorts in FIG. 9 is for the purpose of illustrating portions of the environmental structure and forms no part of the claimed design. The dot-dash broken lines shown on the inner side of the waistband in FIGS. 1 and 5 are for illustrating the boundary of the design only and do not form part of the claimed design. The crosshatched lines shown on the back and sides of the shorts below the waistband in FIGS. 1-9 and on the liner of the shorts in FIG. 9 represent a transparent, translucent, or see-through mesh or sheer fabric only and do not represent any particular colour, material, texture, pattern, or finish of mesh or sheer fabric.

1 Claim, 9 Drawing Sheets



(56)

References Cited

U.S. PATENT DOCUMENTS

| | | | | | |
|--------------|----|---|---------|-----------------|------------|
| D704,921 | S | * | 5/2014 | Tsou | D2/712 |
| D711,626 | S | * | 8/2014 | Savage | D2/738 |
| D714,523 | S | * | 10/2014 | Stinson | D2/738 |
| D743,670 | S | * | 11/2015 | Gust | A41D 1/089 |
| | | | | | D2/738 |
| D743,671 | S | * | 11/2015 | Walter | D2/738 |
| D746,544 | S | * | 1/2016 | Curran | D2/738 |
| D778,535 | S | * | 2/2017 | Lomax | D2/731 |
| D778,539 | S | * | 2/2017 | Kandarian | D2/742 |
| D783,933 | S | * | 4/2017 | Darmour | D2/731 |
| D789,035 | S | * | 6/2017 | Terrell | D2/731 |
| D800,421 | S | * | 10/2017 | Lee | D2/731 |
| D800,997 | S | * | 10/2017 | Harris | D2/731 |
| D800,998 | S | * | 10/2017 | Harris | D2/731 |
| D803,520 | S | * | 11/2017 | Kelley | D2/731 |
| D816,303 | S | * | 5/2018 | Diakonov | D2/857 |
| D821,061 | S | * | 6/2018 | Do | D2/731 |
| D825,144 | S | * | 8/2018 | Lorett | D2/742 |
| D827,250 | S | * | 9/2018 | Sandieson | D2/731 |
| 2018/0035736 | A1 | * | 2/2018 | Le | A41D 27/20 |

* cited by examiner

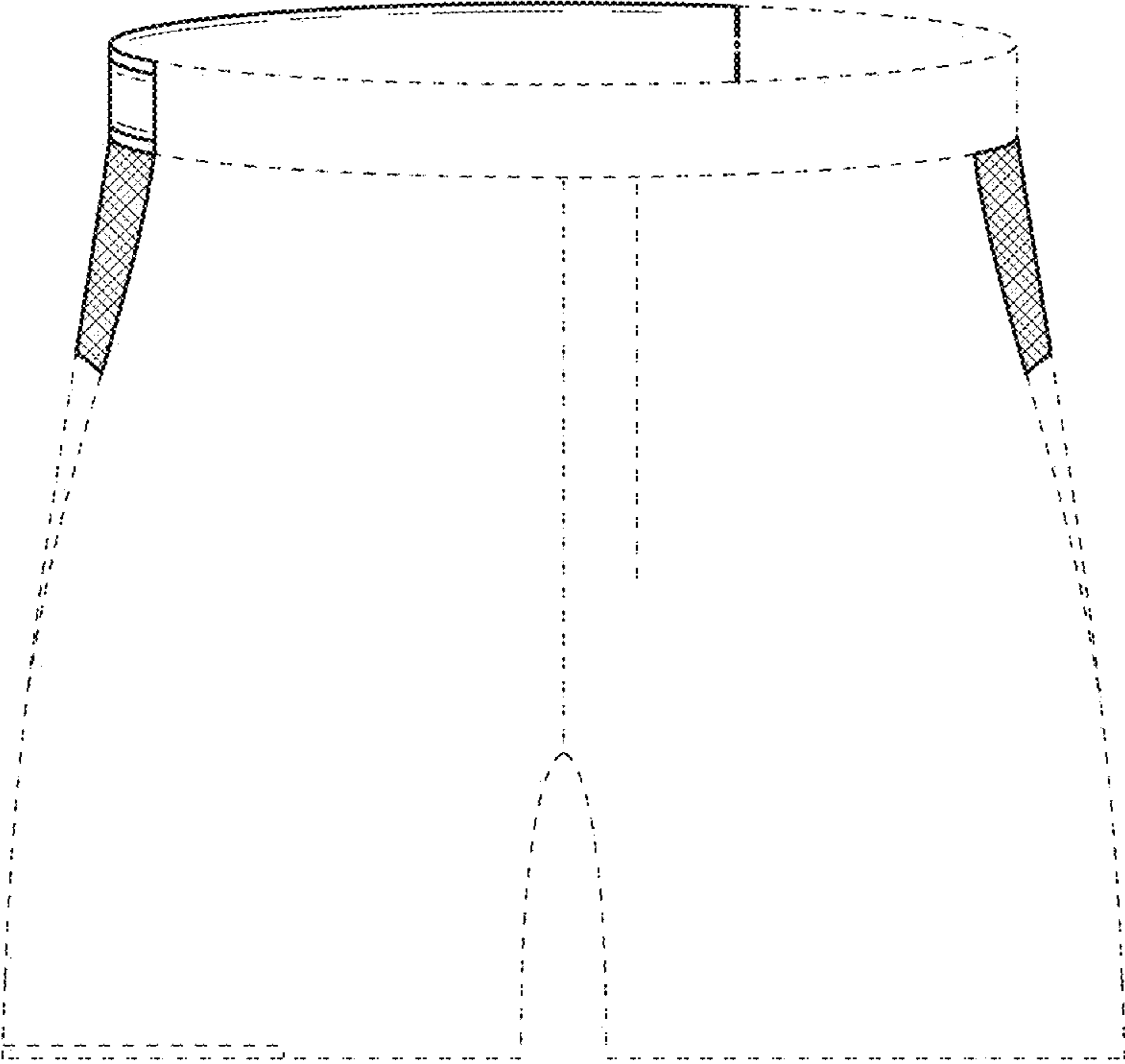


FIG. 1

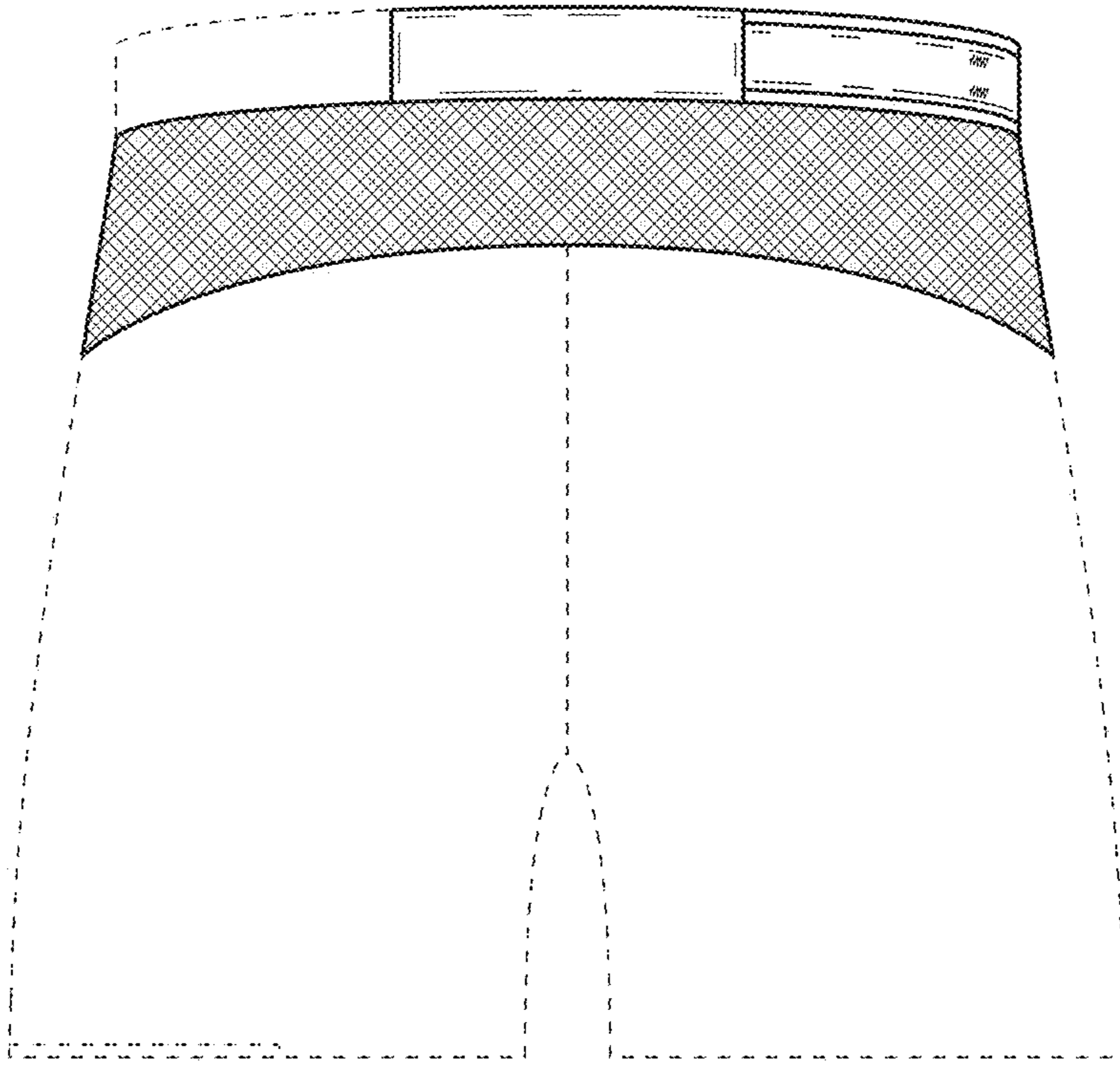


FIG. 2

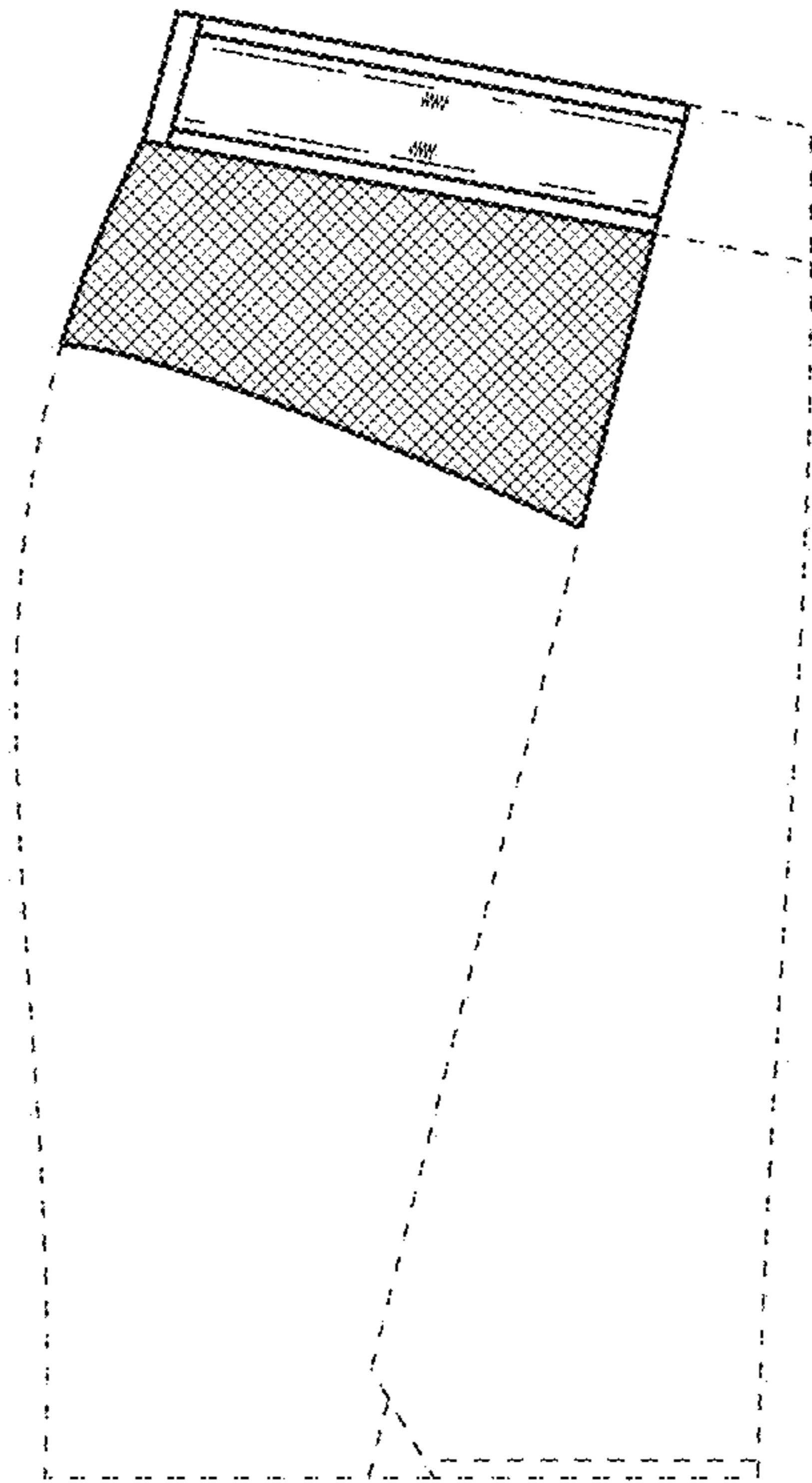


FIG. 3

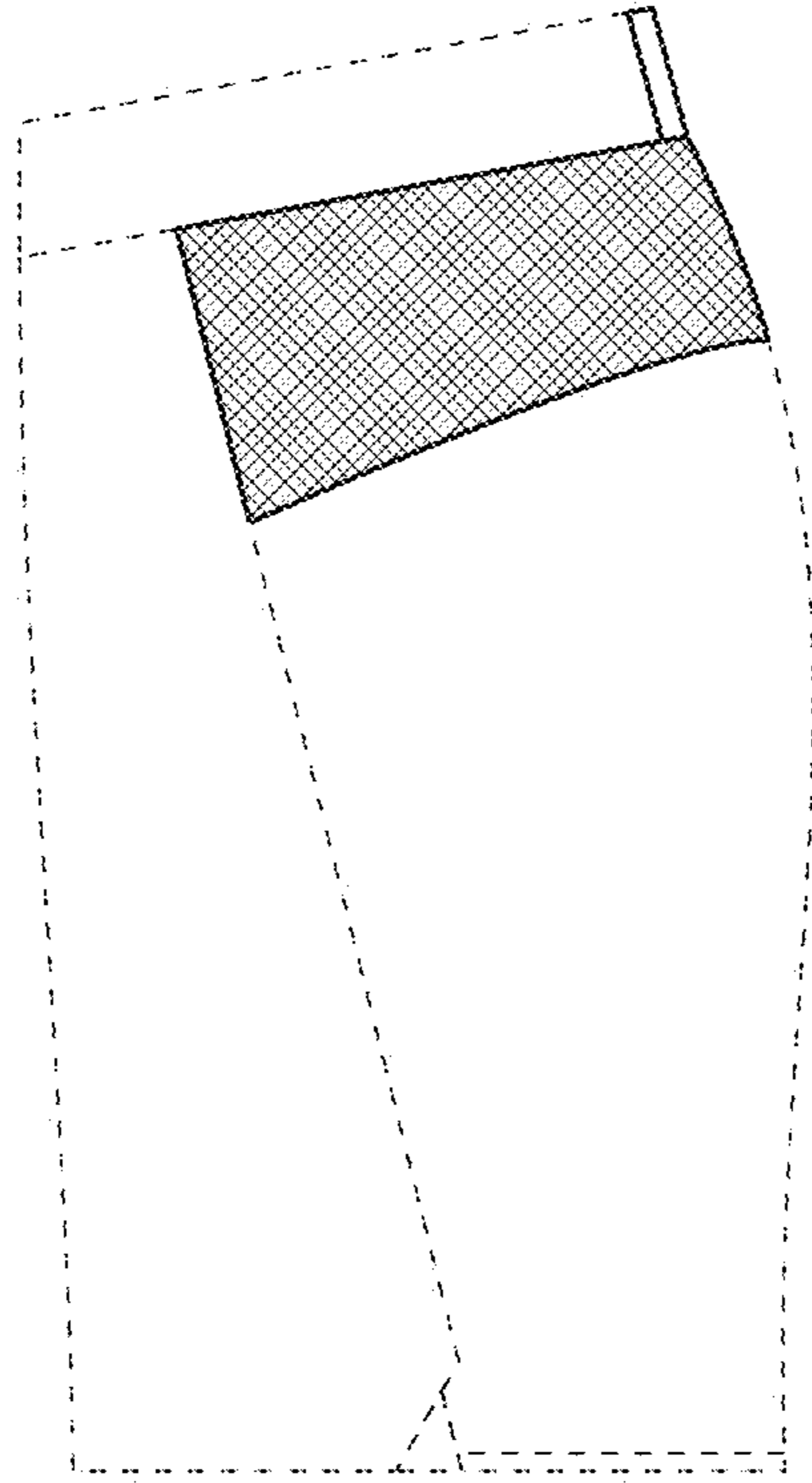


FIG. 4

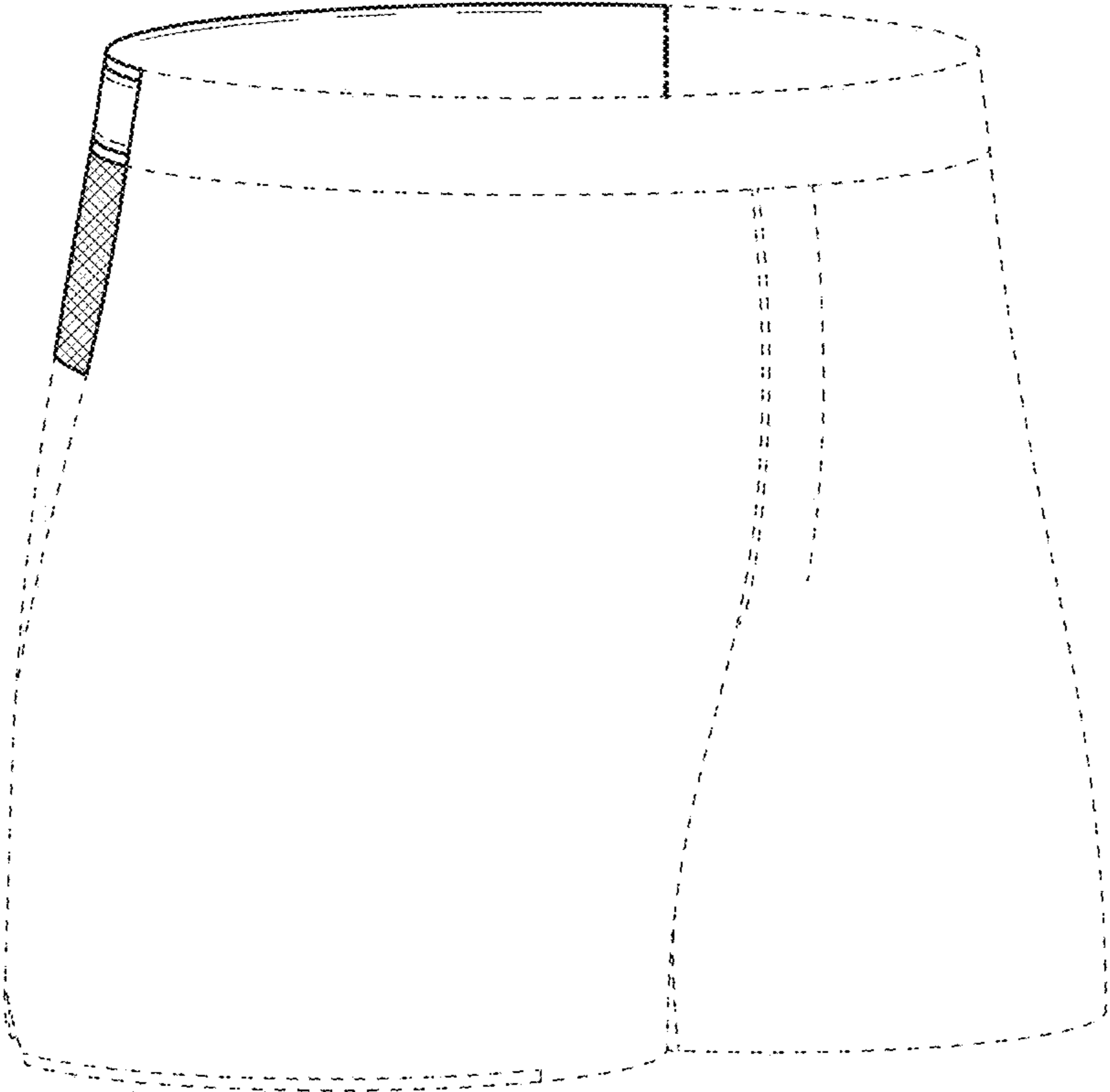


FIG. 5

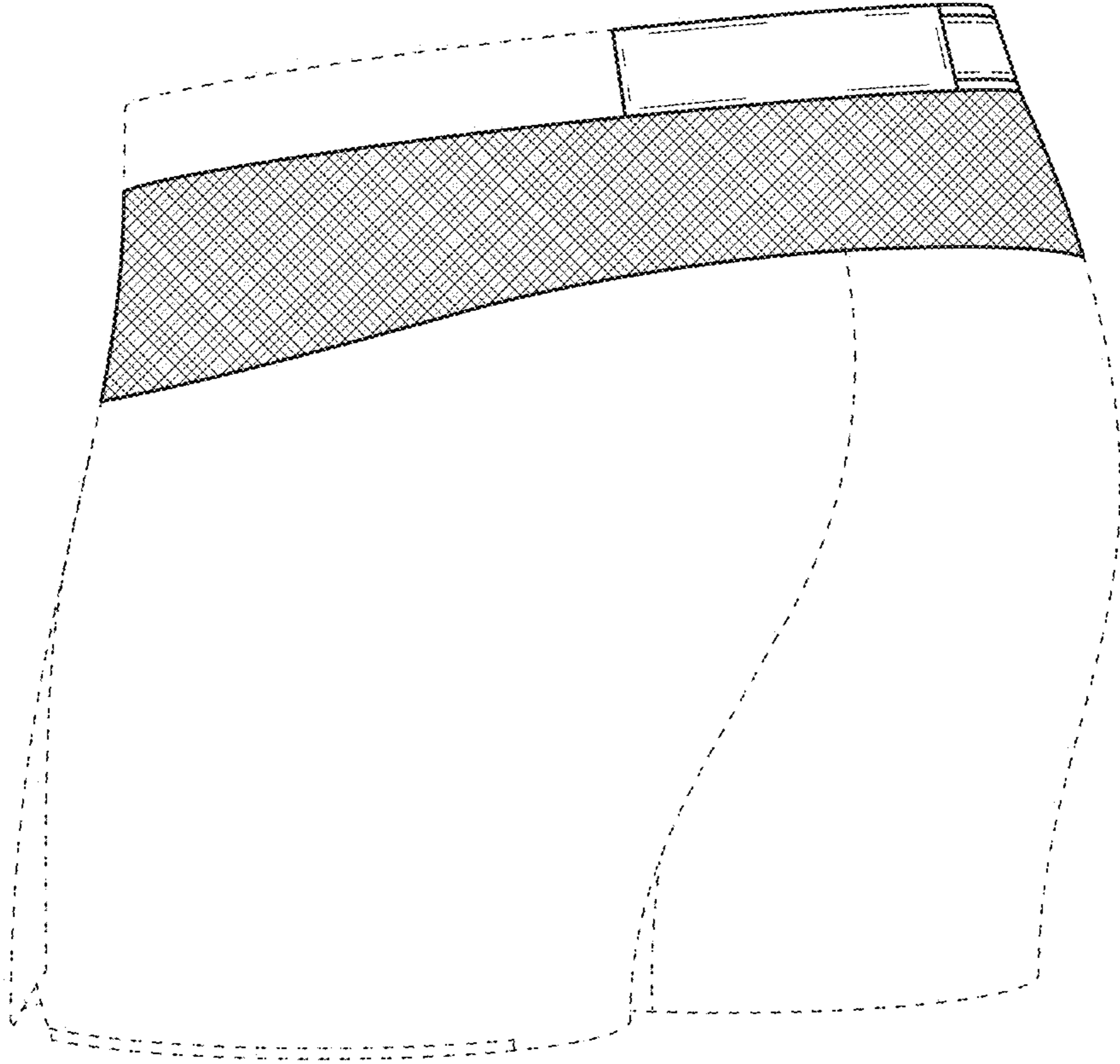


FIG. 6

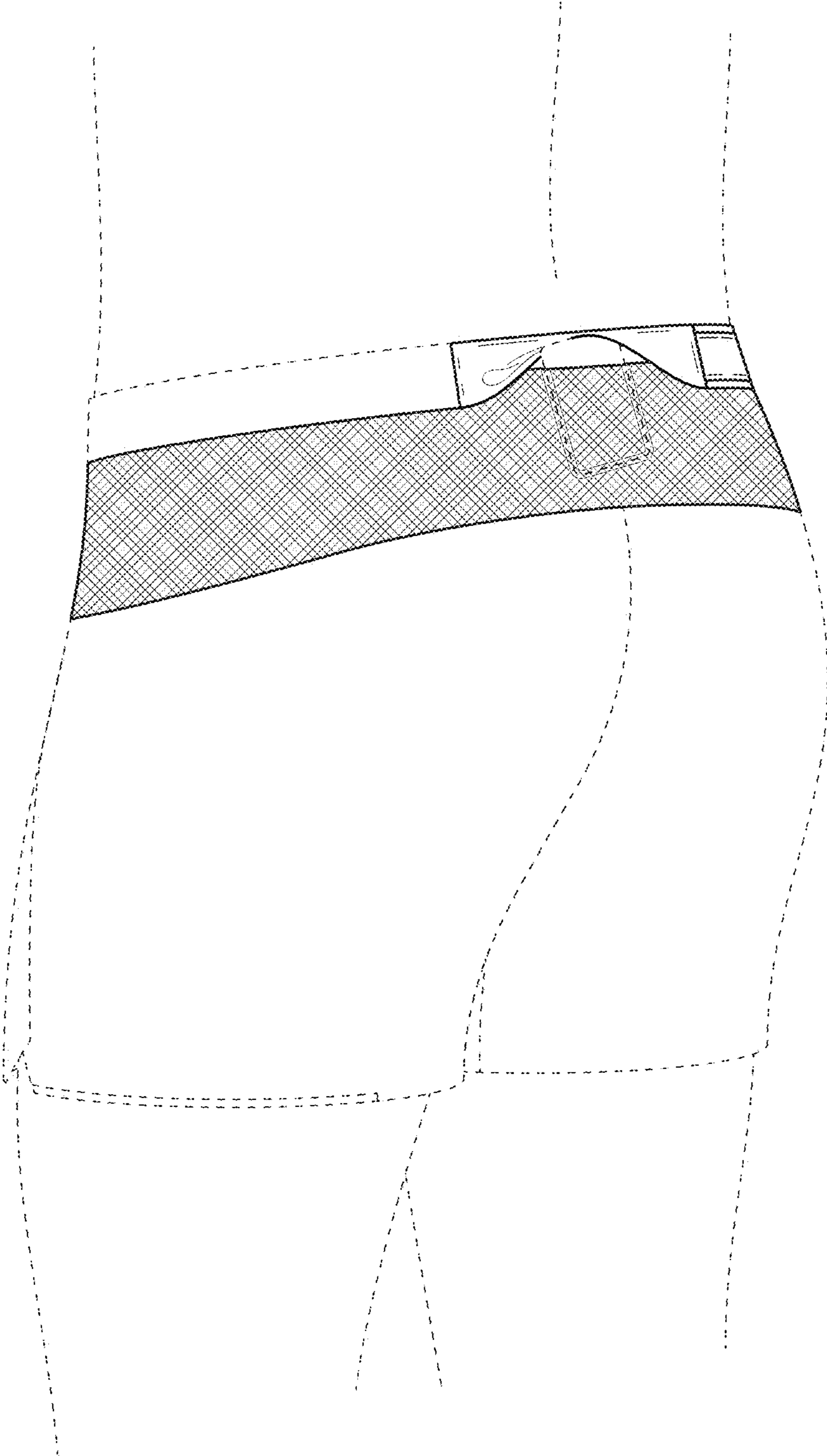


FIG. 7

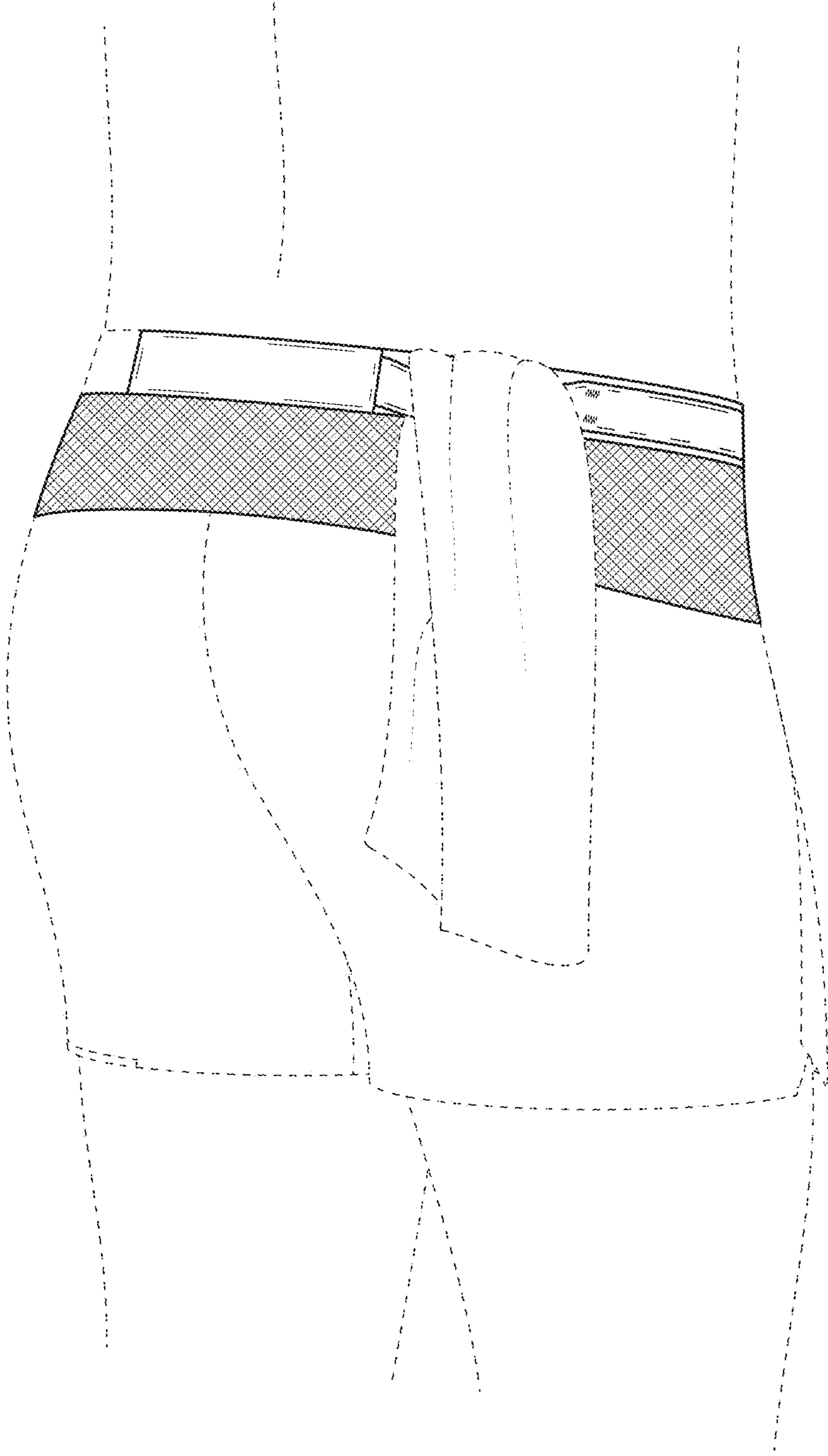


FIG. 8

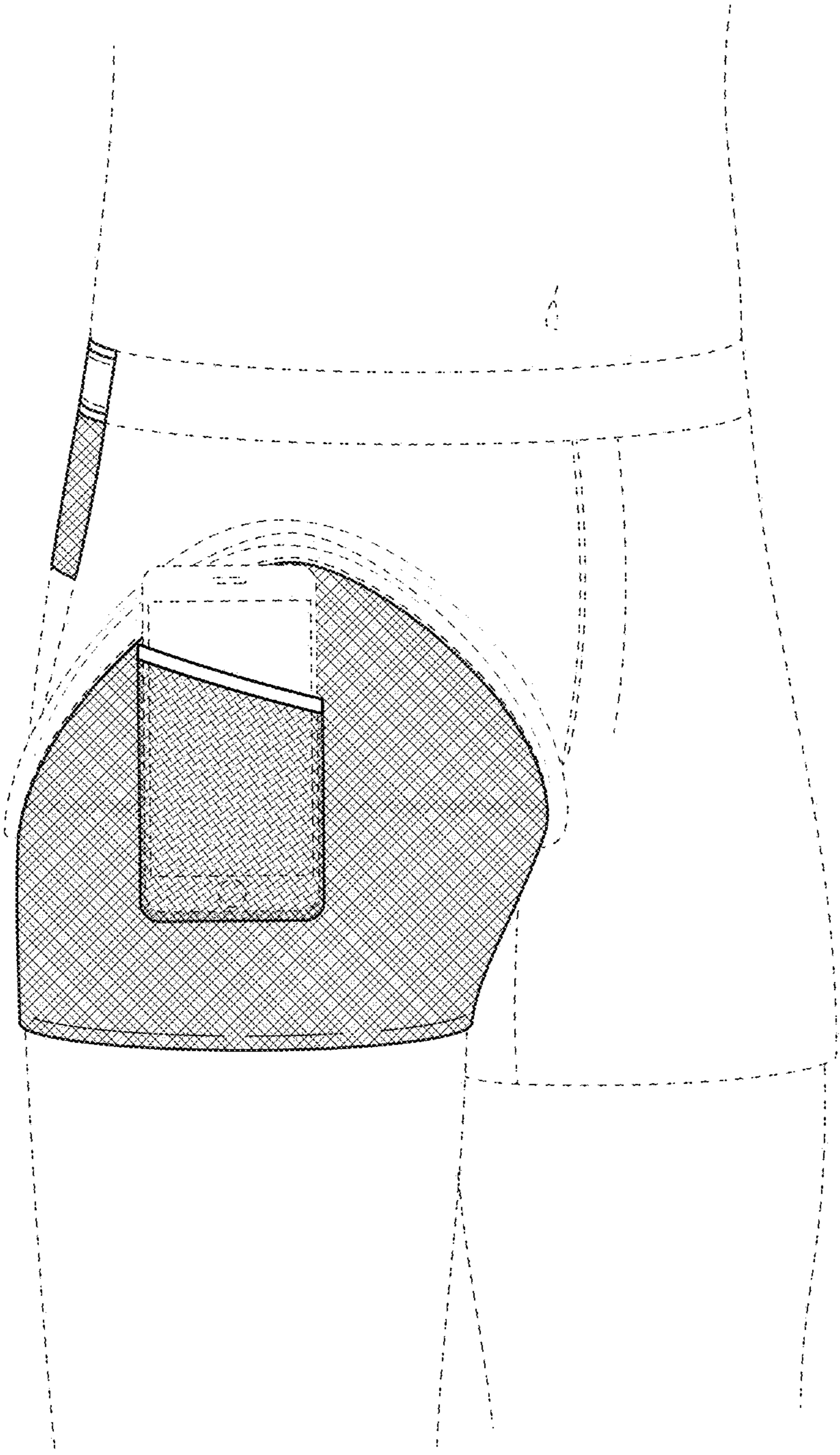


FIG. 9