



US00D915027S

(12) **United States Design Patent**
An

(10) **Patent No.:** **US D915,027 S**

(45) **Date of Patent:** **** Apr. 6, 2021**

- (54) **GARTER**
- (71) Applicant: **Ruihua An**, Zhoukou (CN)
- (72) Inventor: **Ruihua An**, Zhoukou (CN)
- (**) Term: **15 Years**
- (21) Appl. No.: **29/643,973**
- (22) Filed: **Apr. 13, 2018**
- (51) **LOC (13) Cl.** **02-07**
- (52) **U.S. Cl.**
USPC **D2/625**
- (58) **Field of Classification Search**
USPC D2/624–629, 631, 636–640, 701;
D3/224, 226; D11/200; D24/190;
D30/152
CPC .. A41F 9/025; A41F 9/02; A41F 9/007; A41F
9/002; A41F 9/00; A41F 5/00; A41F
3/04; A41F 3/02; A41F 3/00; A41F
15/00; A41F 11/16; A41F 11/14; A41F
11/08; A41F 11/02; A41F 11/00; A41F
1/08; A41F 1/002; A45F 2003/144
See application file for complete search history.

(56) **References Cited**

U.S. PATENT DOCUMENTS

- 603,567 A * 5/1898 Lucas A41F 11/16
2/315
- 639,173 A * 12/1899 Heckman A41F 11/16
2/315
- 648,186 A * 4/1900 Beutineau A41F 11/16
2/315
- 771,442 A * 10/1904 Paddock A41F 11/16
2/315
- 845,999 A * 3/1907 Bernstein A41F 5/00
2/117
- 961,448 A * 6/1910 Humphery A41F 11/16
2/315
- 1,430,742 A * 10/1922 Klass A41F 11/16
2/317

- 1,618,147 A * 2/1927 Carpenter A41F 11/16
2/322
 - 2,197,592 A * 4/1940 Punch A41F 11/16
2/313
 - D692,638 S * 11/2013 Herman A41F 11/16
D2/626
 - D880,111 S * 4/2020 Glickfield D2/624
 - 2004/0221374 A1* 11/2004 Baacke A41F 3/00
2/300
 - 2018/0116319 A1* 5/2018 Lindsay A44B 11/00
- * cited by examiner

Primary Examiner — Kevin K Rudzinski
Assistant Examiner — Clare Ann Gannon
(74) *Attorney, Agent, or Firm* — Bay State IP, LLC

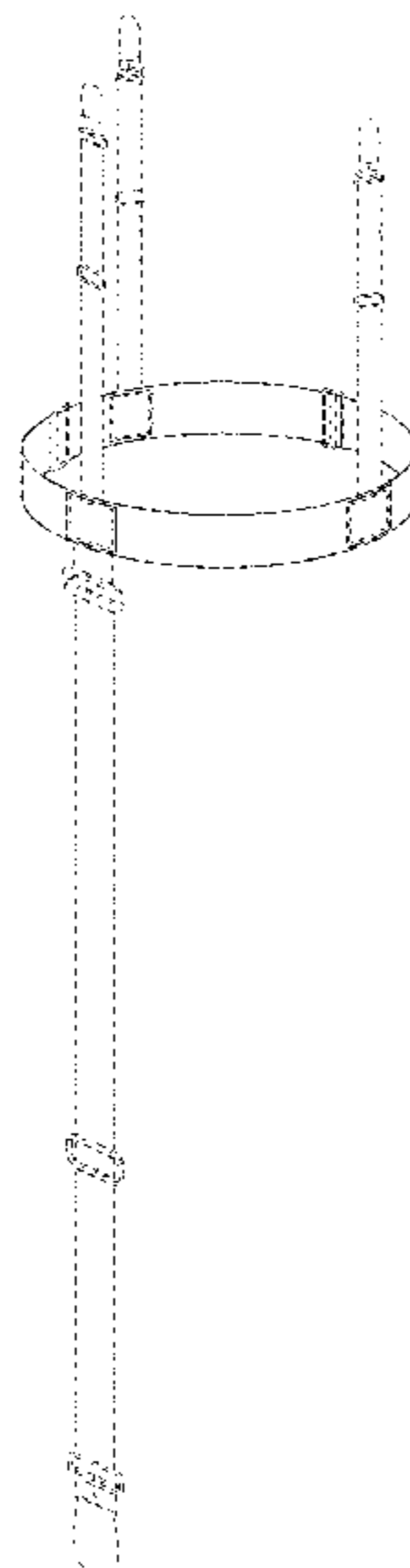
(57) **CLAIM**

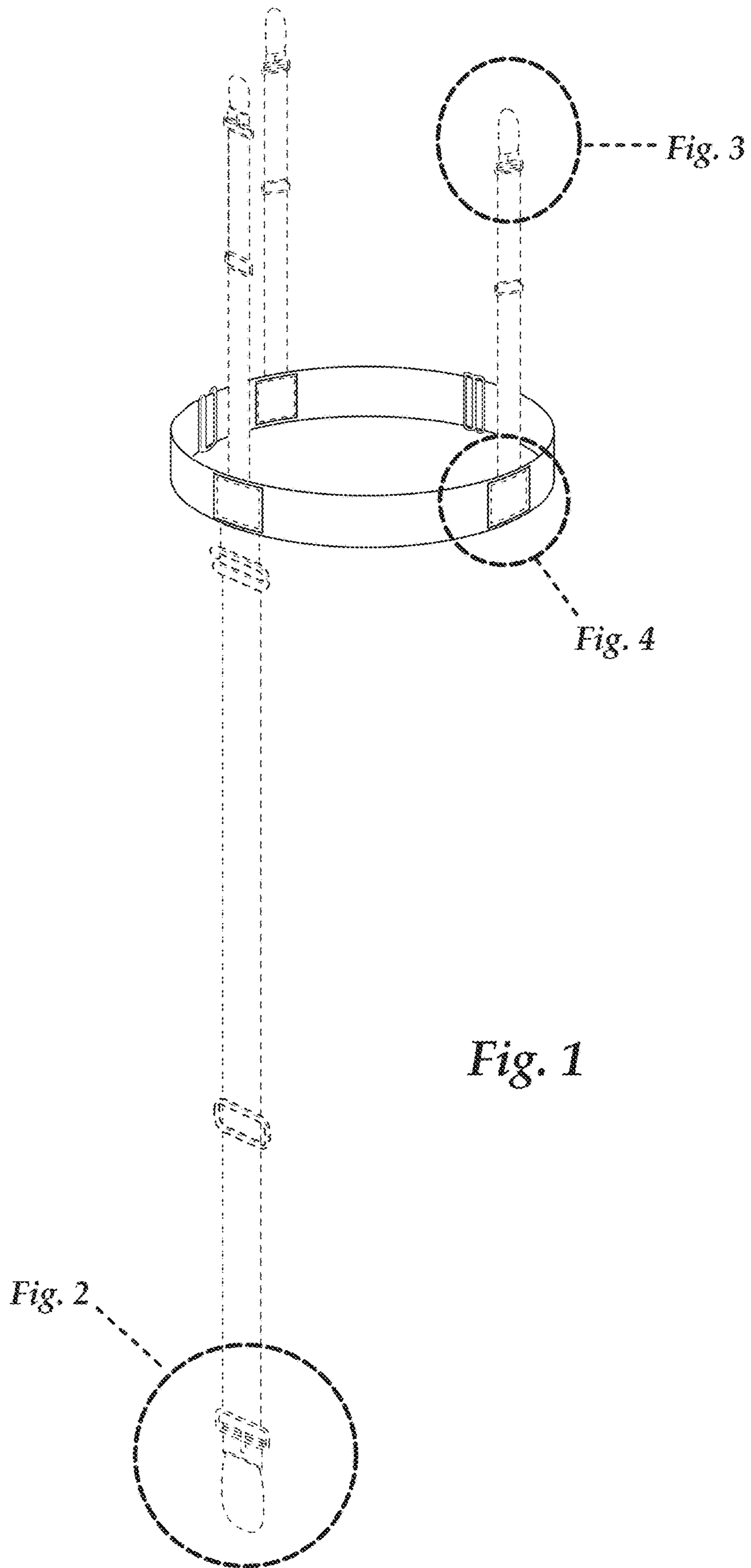
I claim the ornamental design for a garter, as shown and described.

DESCRIPTION

FIG. 1 is a front side perspective view showing my new design;
FIG. 2 is an enlarged perspective view of a portion of the garter within the area identified by broken circle “FIG. 2” in FIG. 1;
FIG. 3 is an enlarged perspective view of a portion of the garter within the area identified by broken circle “FIG. 3” in FIG. 1;
FIG. 4 is an enlarged perspective view of a portion of the garter within the area identified by broken circle “FIG. 4” in FIG. 1;
FIG. 5 is a front view thereof;
FIG. 6 is a back view thereof;
FIG. 7 is a left side view thereof;
FIG. 8 is a right side view thereof; and,
FIG. 9 is a top view thereof.
The broken lines in the drawings depict portions of the garter that form no part of the claimed design.

1 Claim, 9 Drawing Sheets





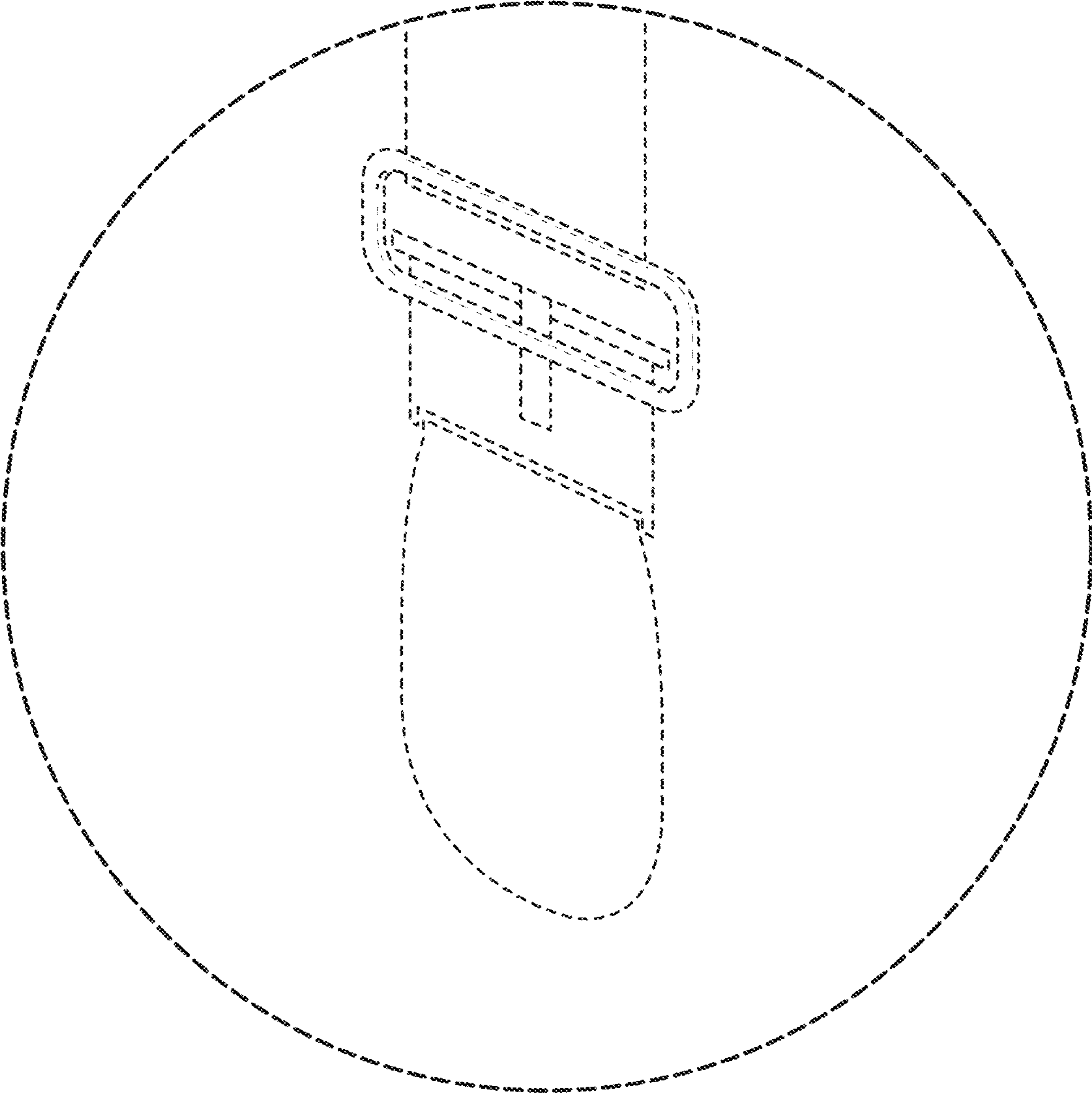


Fig. 2

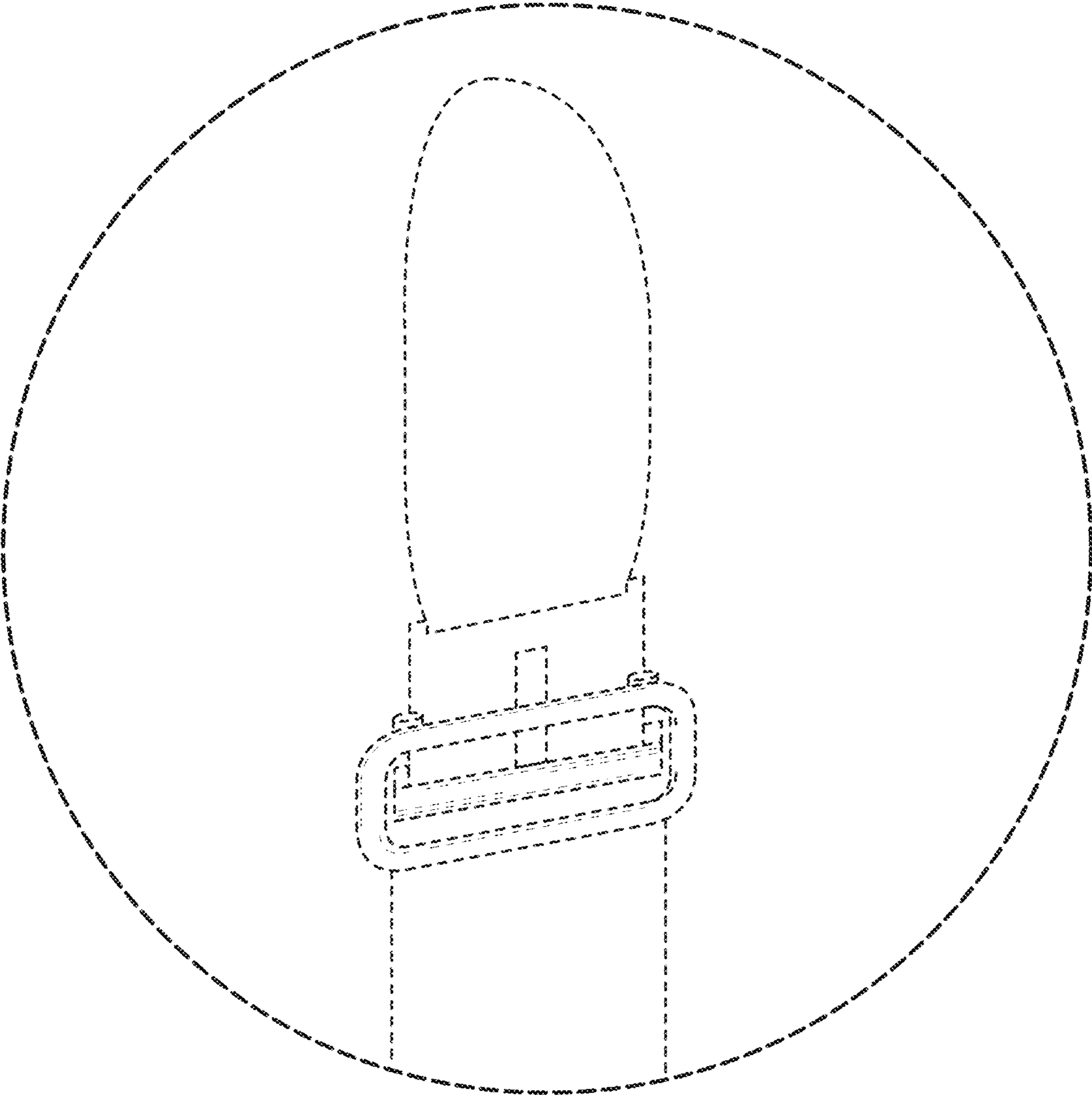


Fig. 3

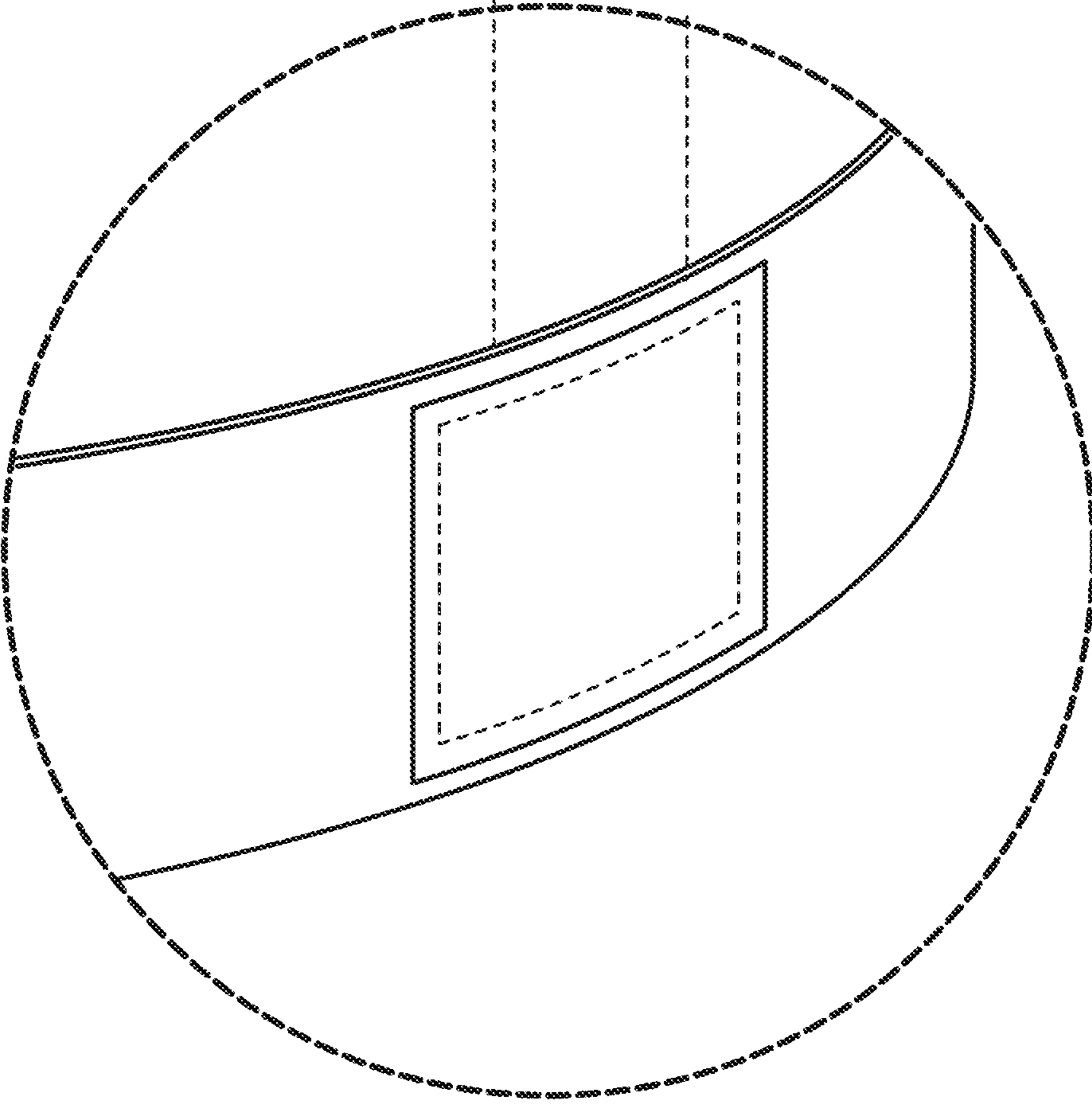


Fig. 4

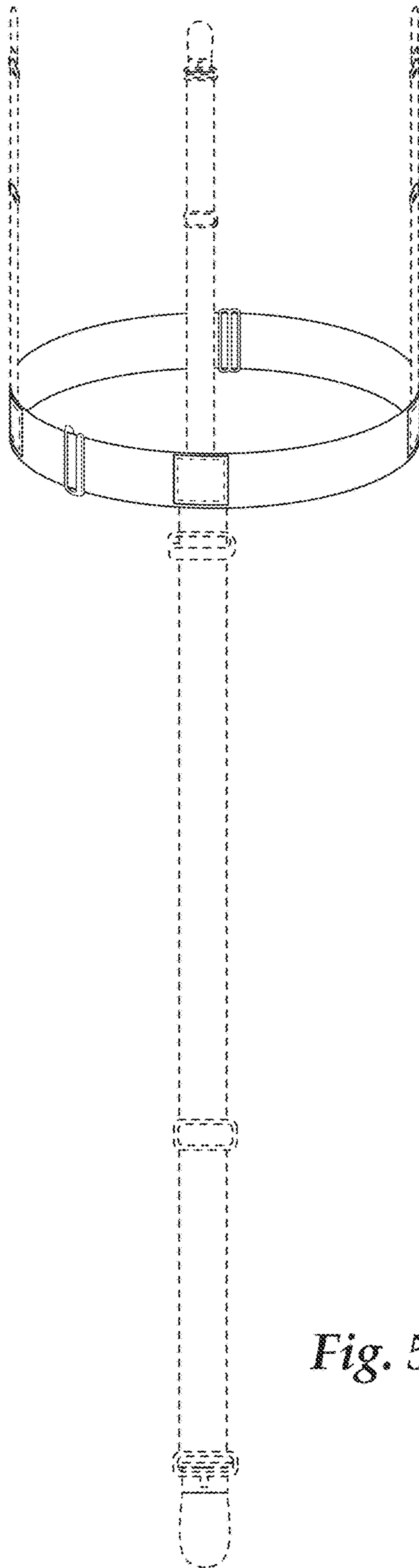


Fig. 5

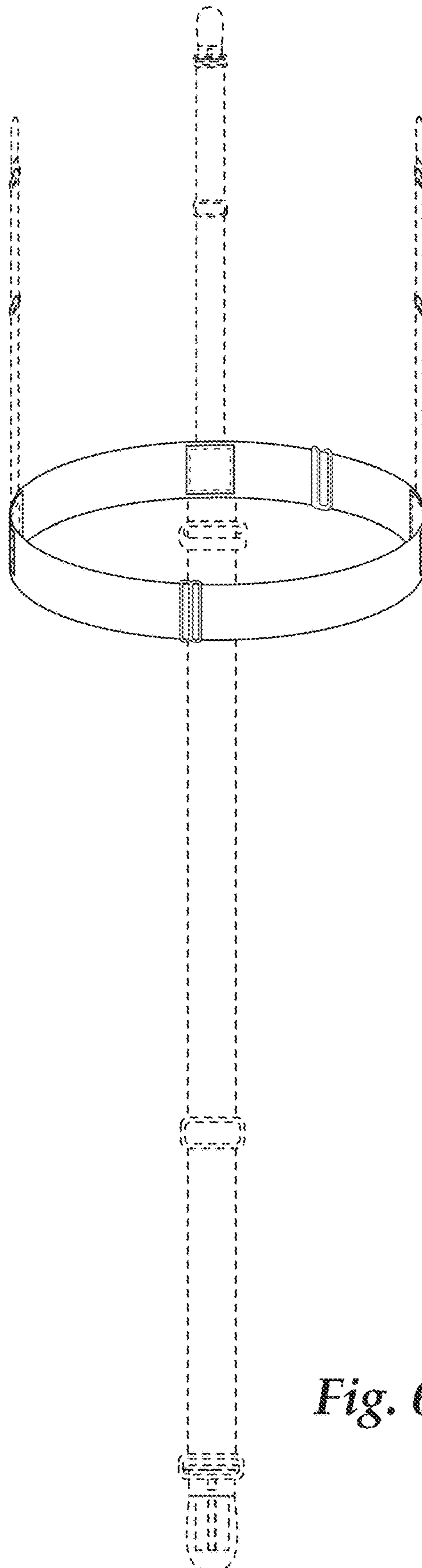


Fig. 6

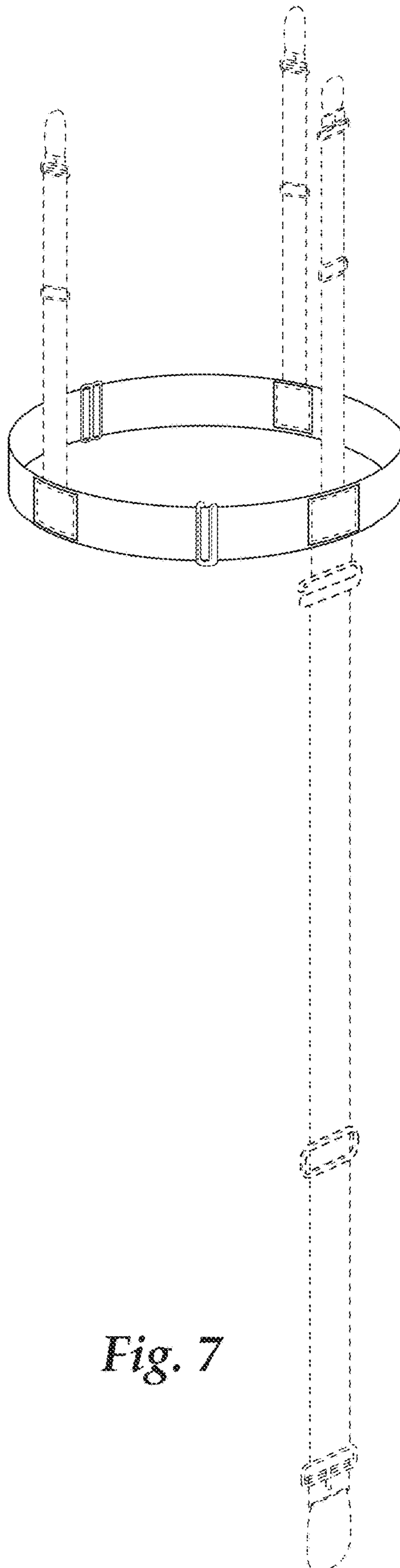


Fig. 7

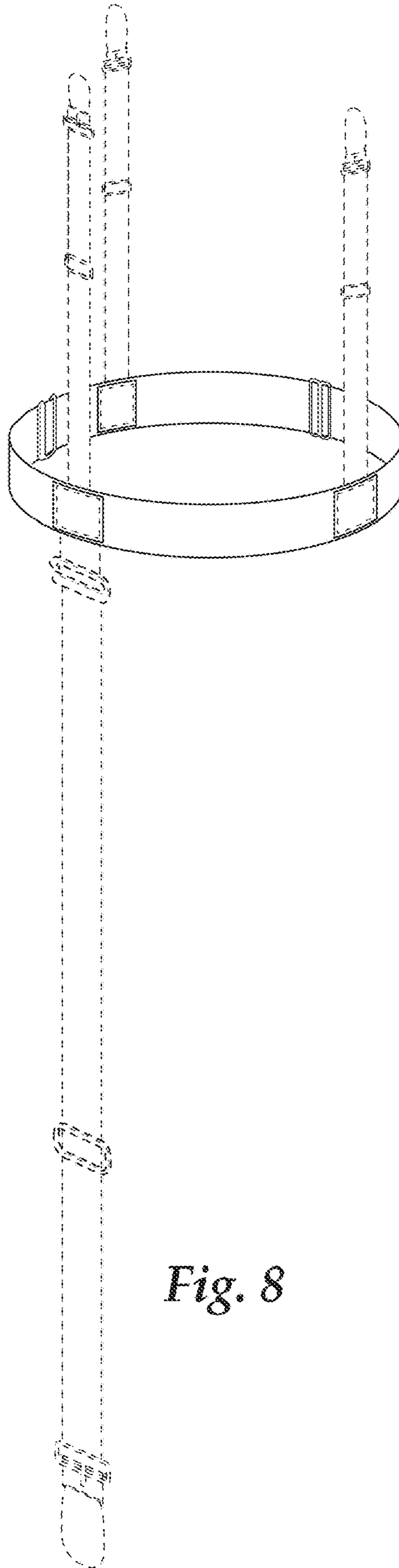


Fig. 8

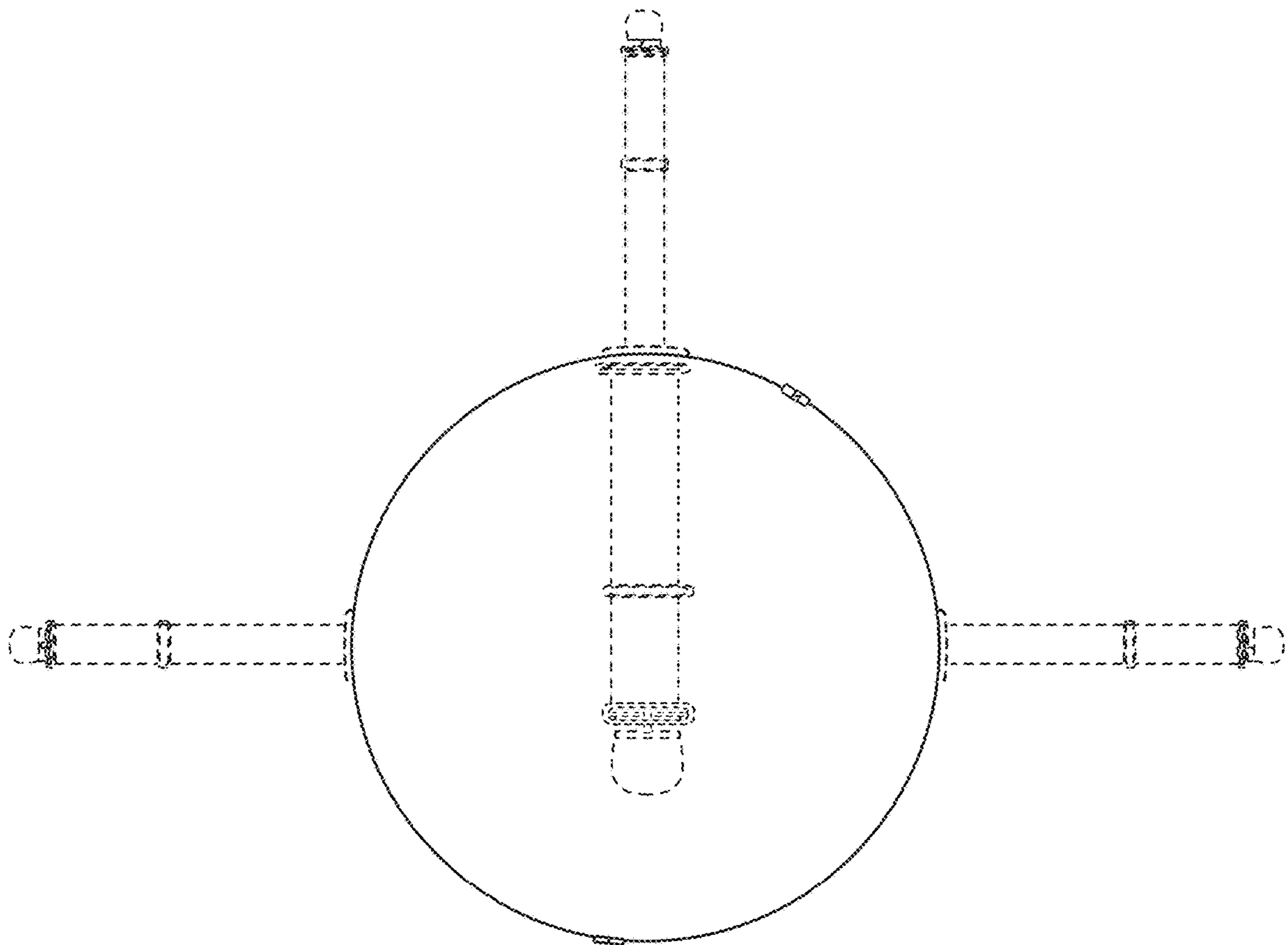


Fig. 9