



US00D915025S

(12) **United States Design Patent**  
**Nowak**

(10) **Patent No.:** **US D915,025 S**  
(45) **Date of Patent:** **\*\* Mar. 30, 2021**

- (54) **MAILBOX POST TOPPER**
- (71) Applicant: **John L. Nowak**, Cape Coral, FL (US)
- (72) Inventor: **John L. Nowak**, Cape Coral, FL (US)
- (\*\*) Term: **15 Years**
- (21) Appl. No.: **29/704,162**
- (22) Filed: **Sep. 3, 2019**
- (51) **LOC (13) Cl.** ..... **99-00**
- (52) **U.S. Cl.**  
USPC ..... **D99/43**
- (58) **Field of Classification Search**  
USPC ..... D99/28, 29, 30, 31, 32, 43, 99; 312/35;  
232/1 R, 1 A, 1 C, 1 D, 4 R, 2, 17, 19,  
232/20, 21, 22, 24, 27, 30, 31, 37, 38, 39,  
232/44, 45  
CPC ..... A47G 29/12; A47G 29/1201; A47G  
29/1203; A47G 29/1205; A47G 29/1207;  
A47G 29/1209; A47G 29/121; A47G  
29/1212; A47G 29/1214; A47G 29/1216;  
A47G 29/1218; A47G 29/122; A47G  
29/1225; A47G 29/16; A47G 29/00  
See application file for complete search history.

(56) **References Cited**

**U.S. PATENT DOCUMENTS**

- 816,171 A \* 3/1906 Inarra ..... E04B 1/185  
52/649.6
- 2,050,280 A \* 8/1936 Dean ..... A47G 29/1216  
248/145
- 2,157,772 A \* 5/1939 McCann ..... G02B 6/0081  
40/546
- D116,578 S \* 9/1939 Sklar ..... D20/17
- D117,036 S \* 10/1939 Elliot ..... D20/17
- D134,951 S \* 2/1943 Enghauser ..... D99/32
- 2,568,873 A \* 9/1951 Timmons, Sr. .... A47G 29/1209  
40/607.14

- 2,615,267 A \* 10/1952 Brower ..... A47G 29/1209  
40/617
- 2,630,644 A \* 3/1953 Ernst, Jr. .... G09F 7/08  
40/620
- 2,976,633 A \* 3/1961 Squire ..... A47G 29/1209  
40/607.13
- D190,939 S \* 7/1961 Herblan ..... D99/32
- 3,079,714 A \* 3/1963 Zeigler ..... G09F 7/08  
40/618
- D216,866 S \* 3/1970 Greco ..... D20/17
- 3,590,507 A \* 7/1971 Wren ..... G09F 13/06  
40/576
- 3,802,656 A \* 4/1974 Virblas ..... A47G 29/1216  
248/145
- D254,755 S \* 4/1980 Mortensen ..... D99/32
- 4,951,904 A \* 8/1990 Obenshain ..... A47G 29/1216  
232/39

(Continued)

*Primary Examiner* — Elizabeth J Oswecki  
(74) *Attorney, Agent, or Firm* — Roberts IP Law; John  
Roberts, Esq

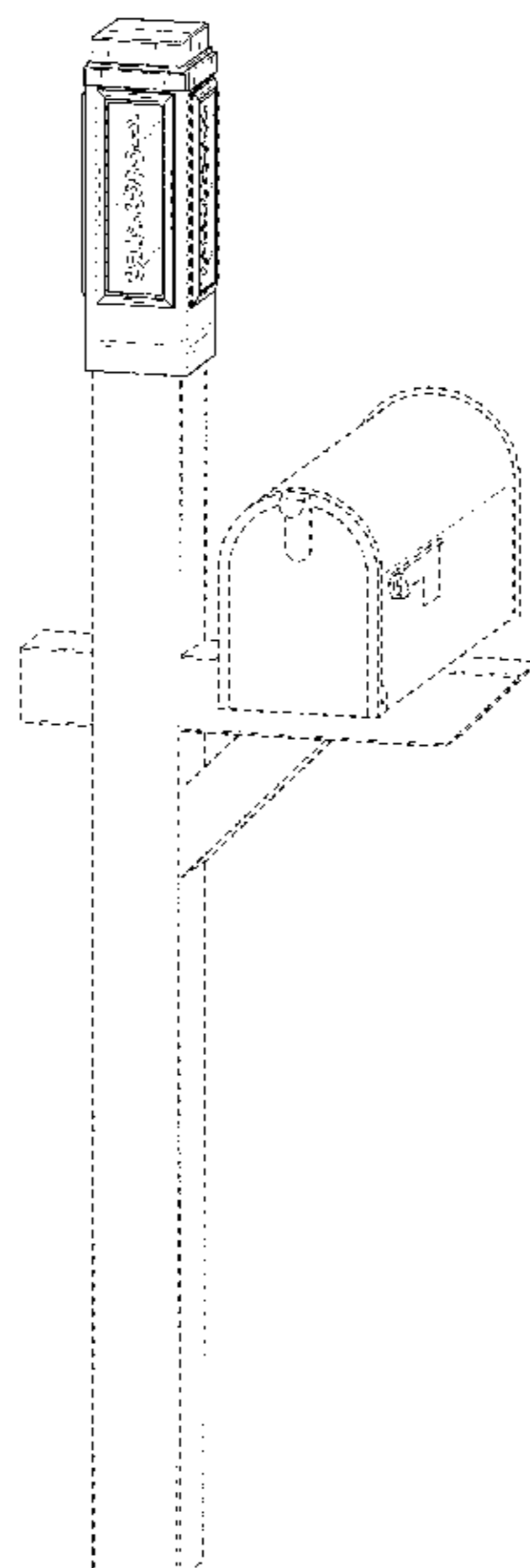
(57) **CLAIM**

The ornamental design for a mailbox post topper, as shown  
and described.

**DESCRIPTION**

FIG. 1 is a top perspective view of a mailbox post topper,  
showing my new design;  
FIG. 2 is a front side elevation view thereof;  
FIG. 3 is a back side elevation view thereof;  
FIG. 4 is a left side elevation view thereof;  
FIG. 5 is a right side elevation view thereof;  
FIG. 6 is a top plan view thereof; and,  
FIG. 7 is a bottom plan view thereof.  
The broken lines showing example address numbers on the  
mailbox post topper, and showing an example mailbox and  
mailbox post, illustrate example environmental structure,  
are not part of the design sought to be patented, and form no  
part of the claimed design.

**1 Claim, 6 Drawing Sheets**



(56)

**References Cited**

U.S. PATENT DOCUMENTS

5,022,618 A \* 6/1991 Barrett ..... A47G 29/1216  
232/39  
D322,877 S \* 12/1991 Roach ..... D99/32  
5,076,032 A \* 12/1991 Lehman ..... E04H 12/2215  
52/169.13  
D329,523 S \* 9/1992 Ward ..... D99/32  
5,307,598 A \* 5/1994 West ..... A47G 29/1216  
232/39  
D362,096 S \* 9/1995 Loper ..... D99/43  
D362,534 S \* 9/1995 Gensburg ..... D20/17  
D371,885 S \* 7/1996 Pennington ..... D99/32  
D390,328 S \* 2/1998 Barton, Jr. .... D99/29  
D453,254 S \* 1/2002 Potter ..... D99/43  
D493,600 S \* 7/2004 Ducolon ..... D99/29  
7,290,697 B1 \* 11/2007 Lessard ..... A47G 29/1216  
232/39  
D876,045 S \* 2/2020 Platt ..... D99/32  
D878,704 S \* 3/2020 Platt ..... D99/32

\* cited by examiner

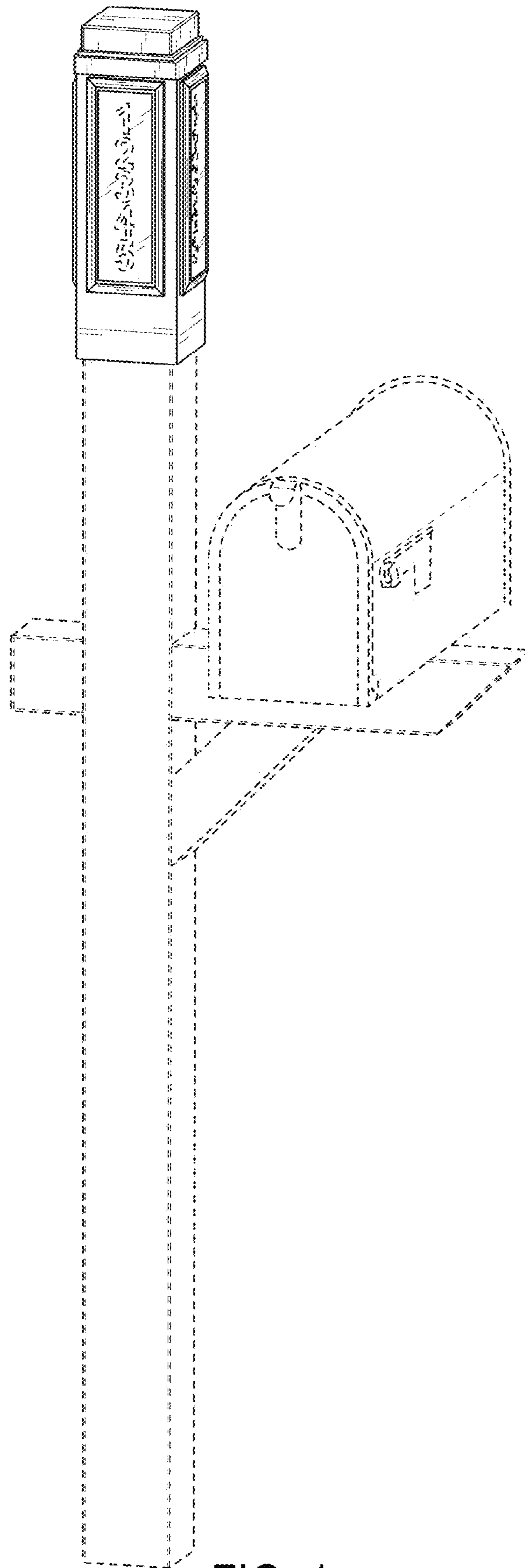


FIG. 1

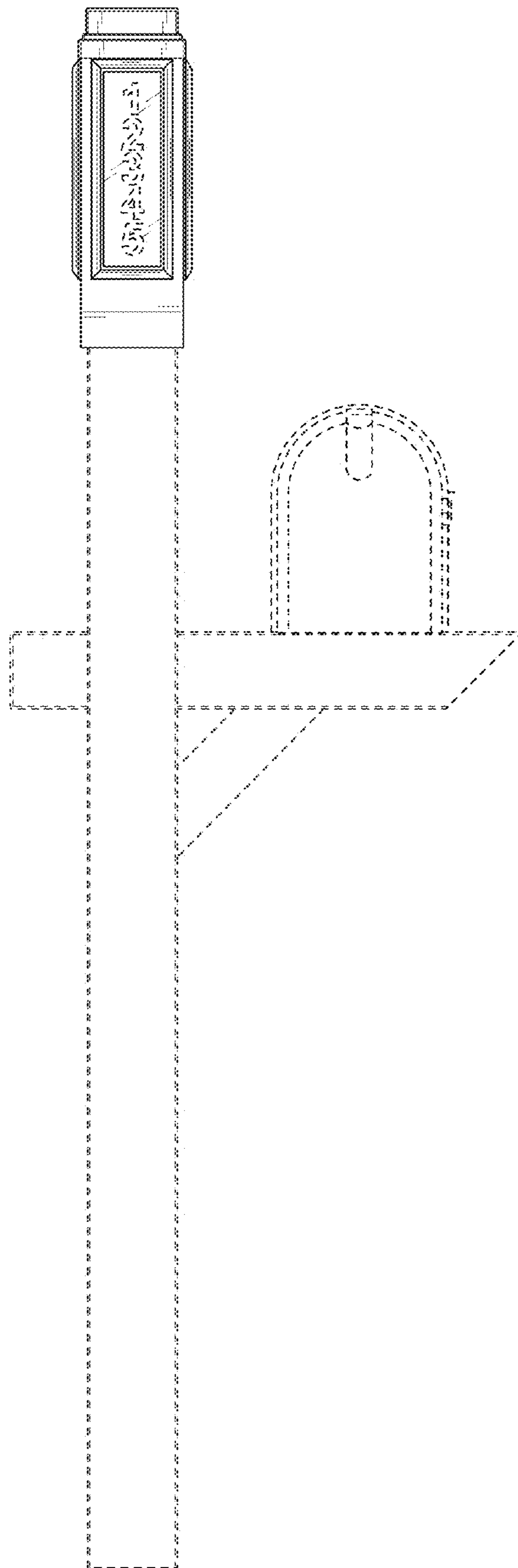


FIG. 2

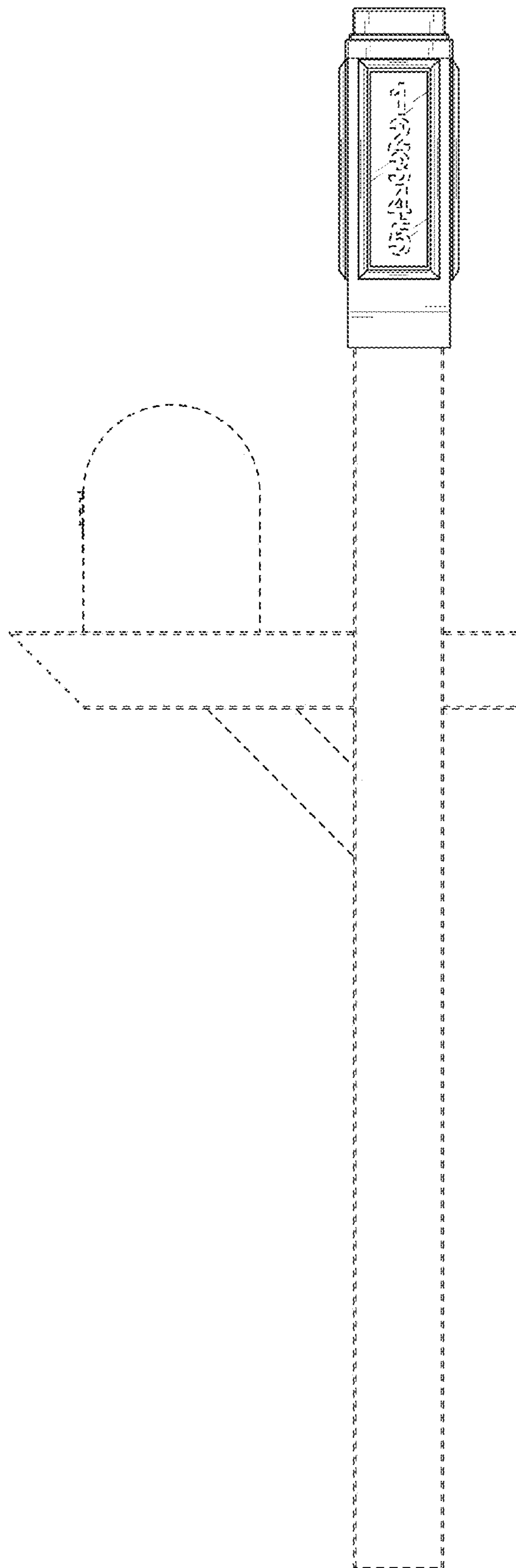


FIG. 3

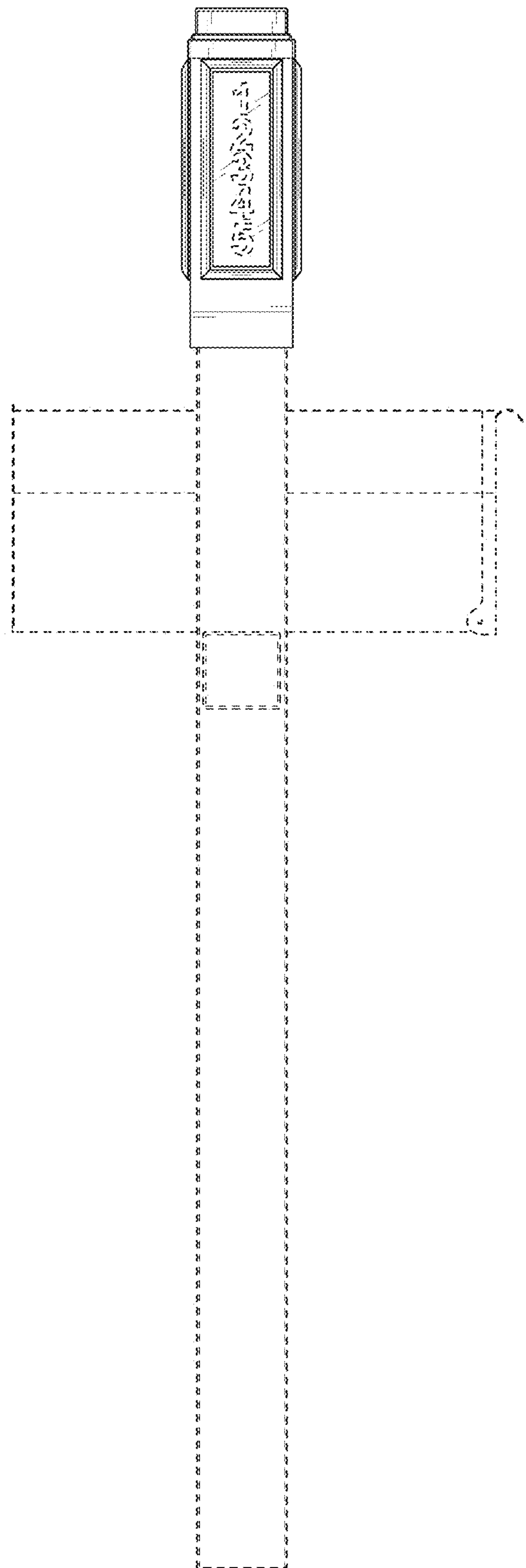


FIG. 4

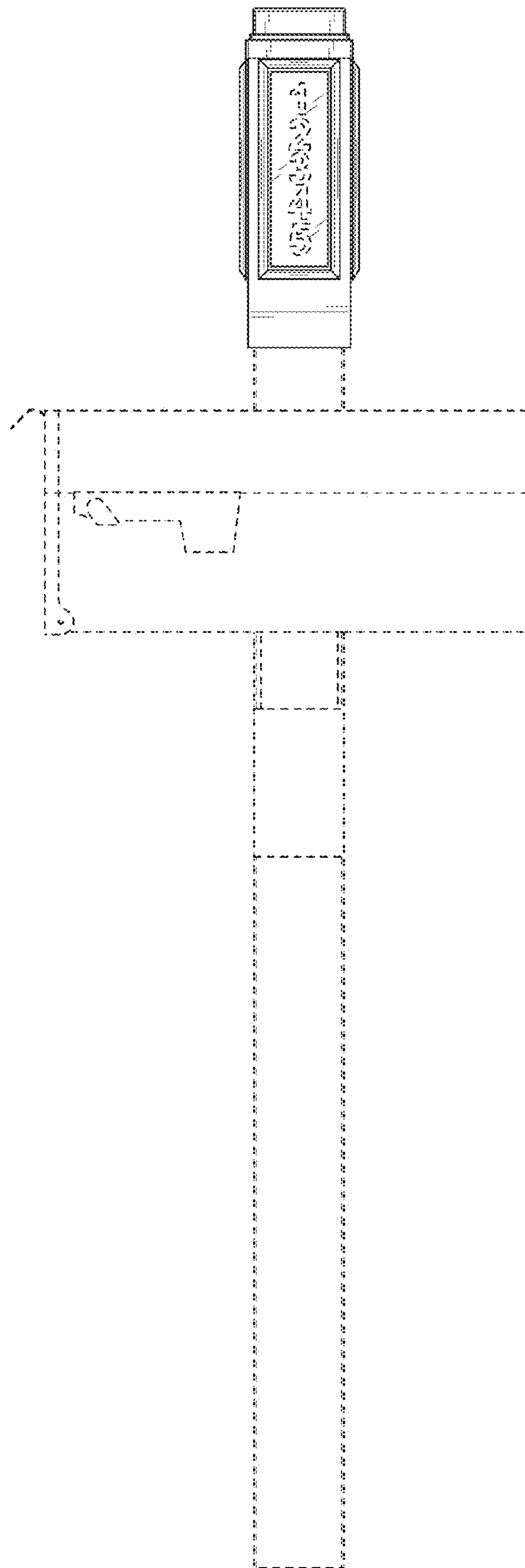


FIG. 5



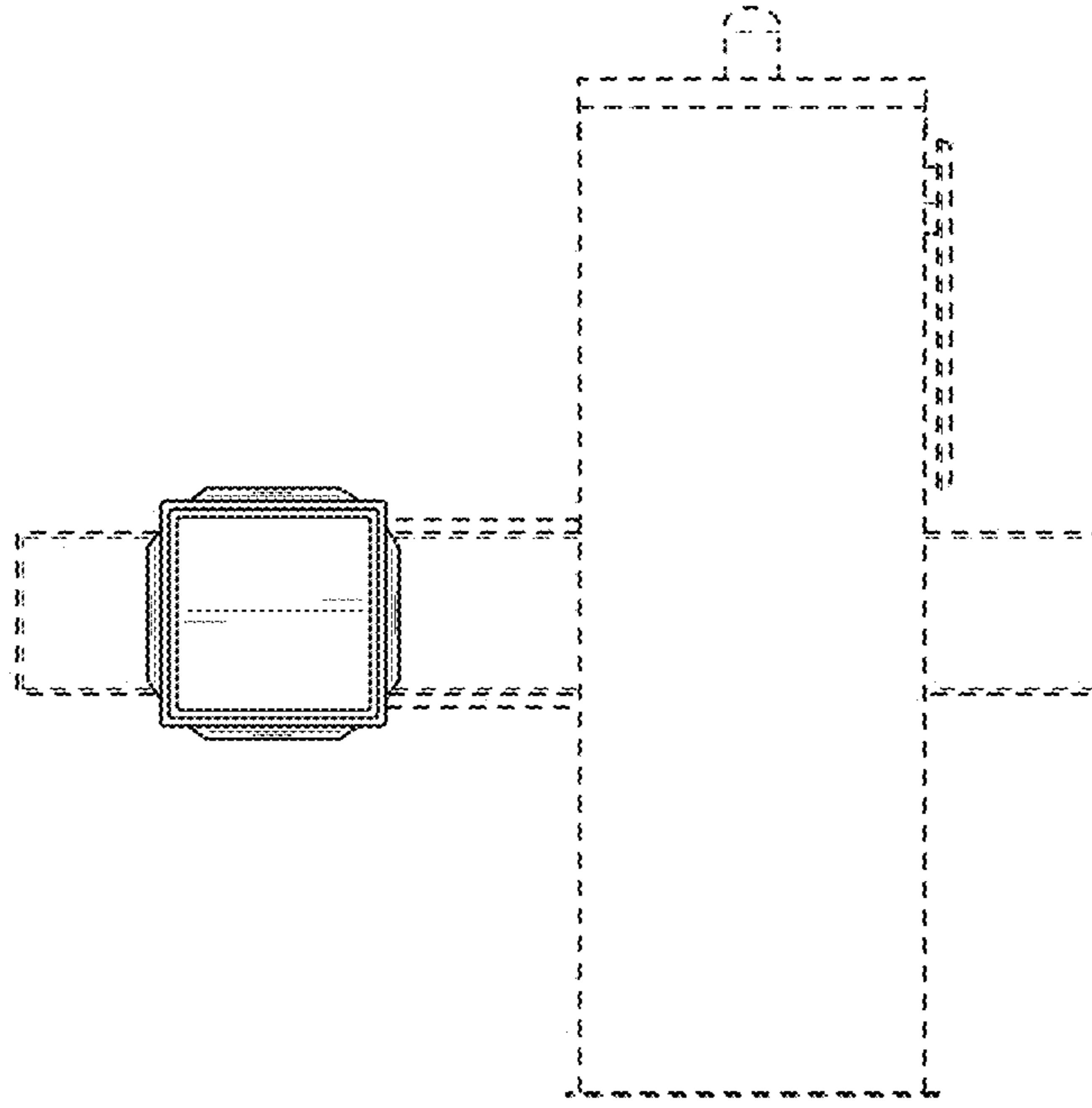


FIG. 6

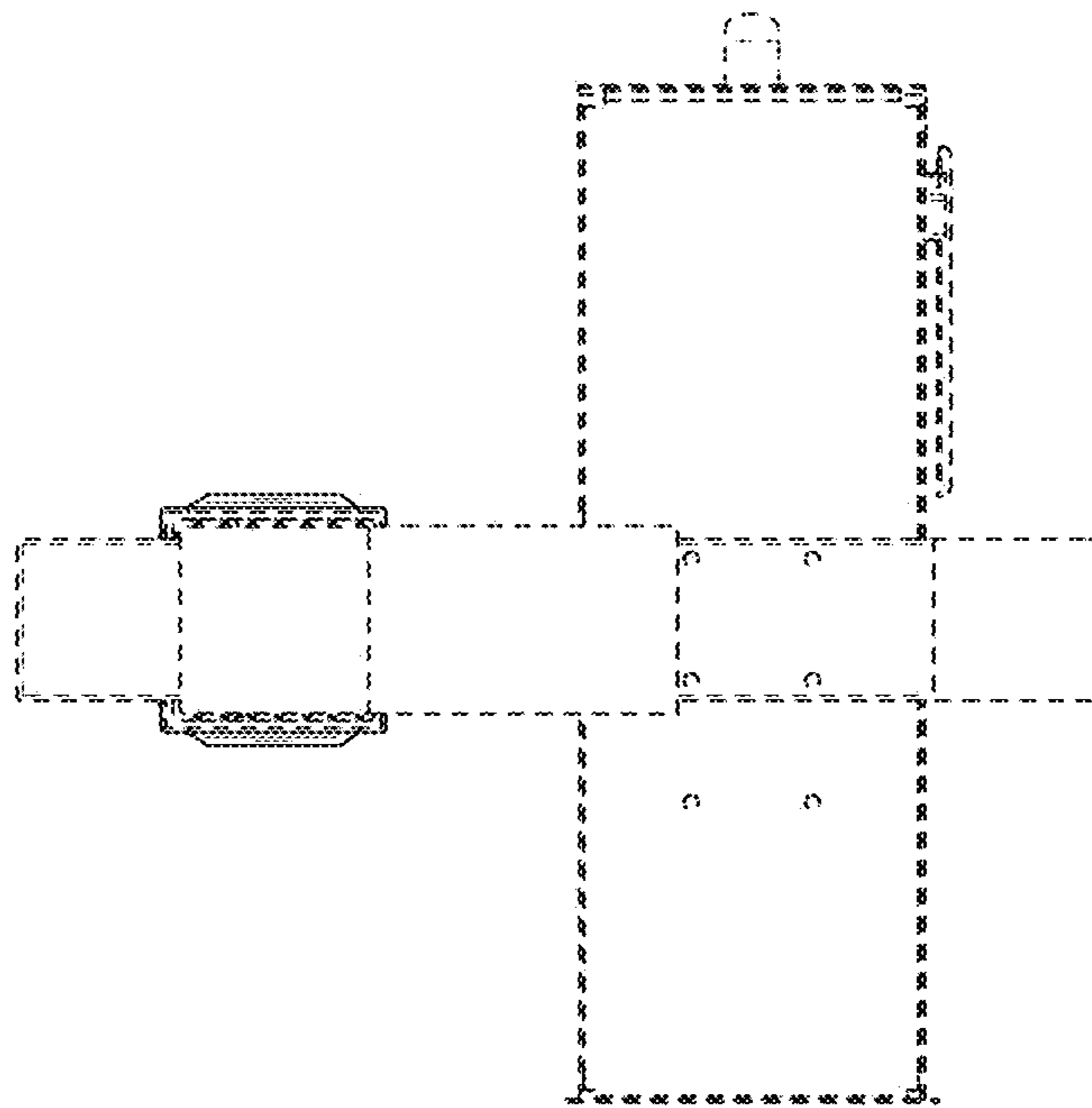


FIG. 7