



US00D915023S

(12) **United States Design Patent**
Sengupta

(10) **Patent No.:** **US D915,023 S**
(45) **Date of Patent:** **** Mar. 30, 2021**

- (54) **CREMATION URN**
- (71) Applicant: **Infinityurns, LLC**, North Liberty, IA (US)
- (72) Inventor: **Sushant Sengupta**, North Liberty, IA (US)
- (73) Assignee: **Infinityurns, LLC**, North Liberty, IA (US)
- (**) Term: **15 Years**
- (21) Appl. No.: **29/706,836**
- (22) Filed: **Sep. 24, 2019**
- (51) **LOC (13) Cl.** **99-00**
- (52) **U.S. Cl.**
USPC **D99/5; D99/25**
- (58) **Field of Classification Search**
USPC D99/5, 17, 25; D11/131, 157; D21/311, D21/398; D19/97; 273/161, 138.2; 65/66; 446/267, 166; 40/409, 410, 406, 40/407, 432, 472, 408; D30/101
CPC A61G 17/08; A61G 17/00; G09F 19/00; G09F 19/02; F21V 31/00
See application file for complete search history.

- (56) **References Cited**
U.S. PATENT DOCUMENTS
1,741,692 A * 12/1929 Garaja B43M 9/00 428/13
2,226,951 A * 12/1940 Simpson A47G 7/006 47/41.13
2,361,425 A * 10/1944 Snyder B43M 9/00 428/13
2,709,217 A * 5/1955 McClusky F21V 31/00 362/101
2,770,073 A * 11/1956 Sullivan G09F 11/34 40/426
D213,150 S * 1/1969 McBain D6/661.3

- 3,535,805 A * 10/1970 Peiperladam G09F 13/24 40/406
- D223,505 S * 4/1972 Ott D26/104
- 3,990,166 A * 11/1976 Nagelkirk G09F 11/10 40/442
- D269,359 S * 6/1983 Itakura D21/311
- D284,842 S * 7/1986 McEvoy D11/102
- D289,355 S * 4/1987 Paulides D11/145
- 4,727,299 A * 2/1988 Liu A63H 33/26 310/36
- 4,961,276 A * 10/1990 Lin A63H 13/00 40/410
- 5,406,728 A * 4/1995 Willitts, Jr. G09F 19/02 40/409

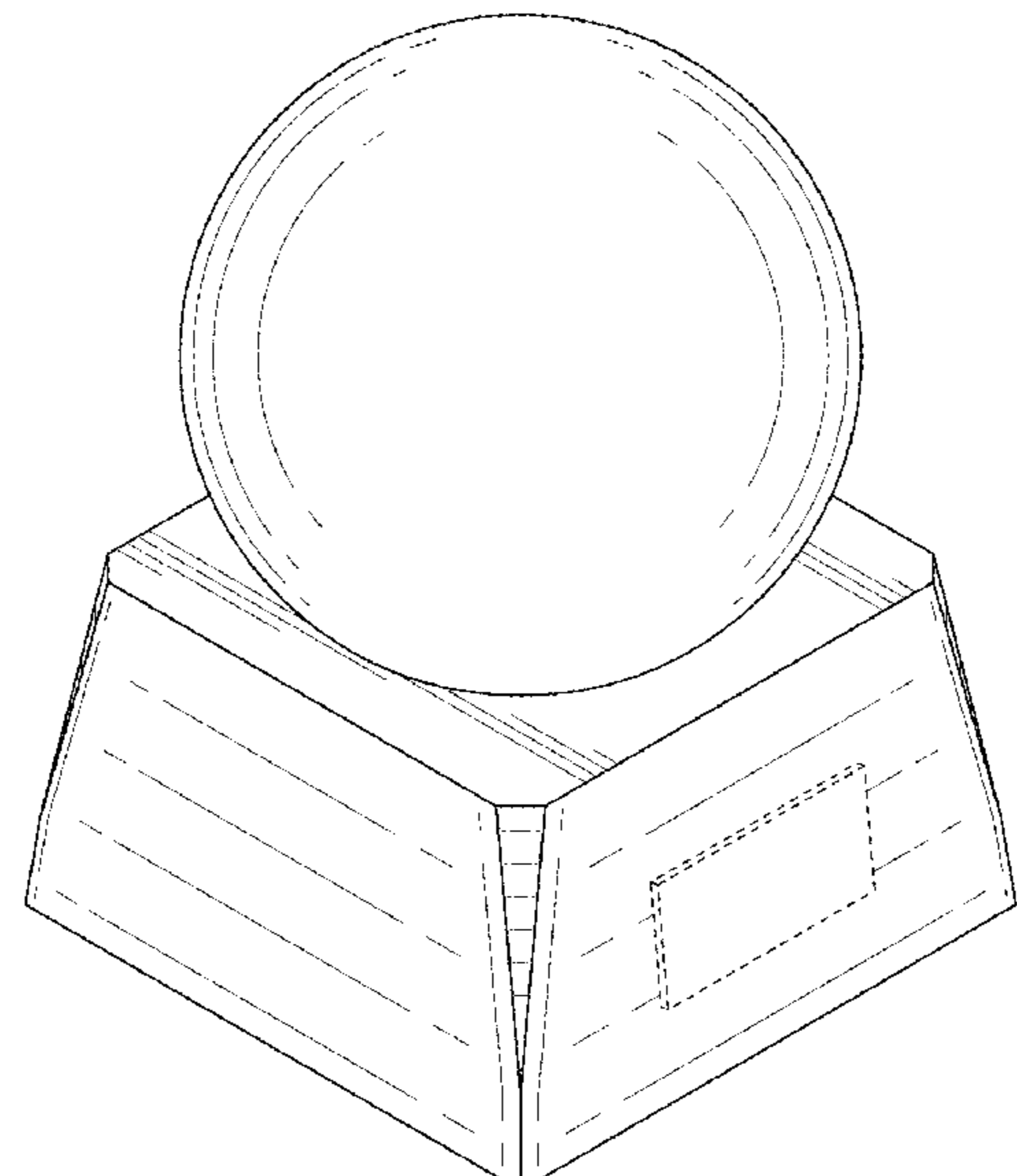
(Continued)

Primary Examiner — Paula Allen Greene
(74) *Attorney, Agent, or Firm* — Shuttleworth & Ingersoll, PLC; Jason Sytsma

(57) **CLAIM**
The ornamental design for a cremation urn, as shown and described.

DESCRIPTION
FIG. 1 is a top view of a cremation urn showing my new design;
FIG. 2 is a bottom plan view of the cremation urn of FIG. 1;
FIG. 3 is a front view of the cremation urn of FIG. 1;
FIG. 4 is a top left perspective view of the cremation urn of FIG. 1;
FIG. 5 is a bottom left perspective view of the cremation urn of FIG. 1; and,
FIG. 6 is a top left perspective view of the base of the cremation urn of FIG. 1 shown separately for ease of illustration.
The broken lines on the cremation urn base and the broken line showing of the removable cover at the base of the urn are for the purposes of illustrating environmental structure and form no part of the claimed design.

1 Claim, 6 Drawing Sheets



(56)

References Cited

U.S. PATENT DOCUMENTS

D375,411 S * 11/1996 Hawkins D20/10
5,666,750 A * 9/1997 Segan G09F 19/08
40/410
D393,016 S * 3/1998 Young D21/398
6,385,880 B1 * 5/2002 Naragon G09F 19/02
40/406
6,516,556 B1 * 2/2003 Rigler A01K 97/06
248/346.03
6,564,483 B1 * 5/2003 Hsu G09F 19/02
40/409
6,568,108 B2 * 5/2003 Lin G09F 19/02
40/406
6,612,053 B2 * 9/2003 Liao G09F 19/02
40/406
6,848,206 B2 * 2/2005 Zhao G09F 19/02
40/406
6,857,929 B2 * 2/2005 Liao G09F 19/02
40/406
7,065,908 B1 * 6/2006 Pineda-Sanchez G09F 19/02
40/406
7,617,624 B1 * 11/2009 Chen G09F 19/02
40/406
D671,295 S * 11/2012 Anthony D99/5
8,960,937 B2 * 2/2015 Yang F21V 21/00
362/101
D836,879 S * 12/2018 Singh D99/17
2003/0067764 A1 * 4/2003 Lau Ting Yup G09F 13/24
362/84
2004/0055190 A1 * 3/2004 Liu G09F 19/02
40/406
2010/0199476 A1 * 8/2010 Cummings A61G 17/08
27/1

* cited by examiner

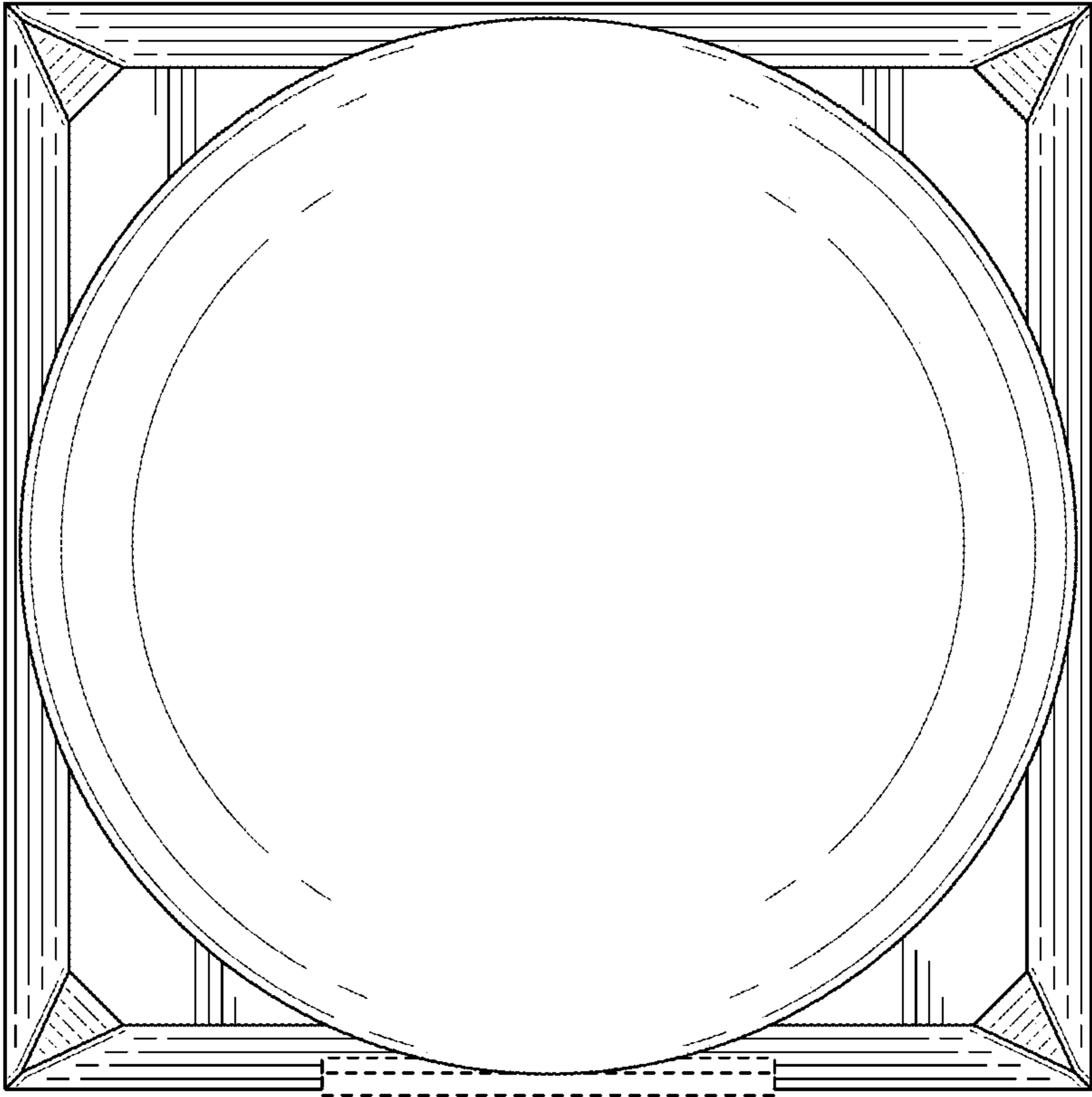


FIG. 1

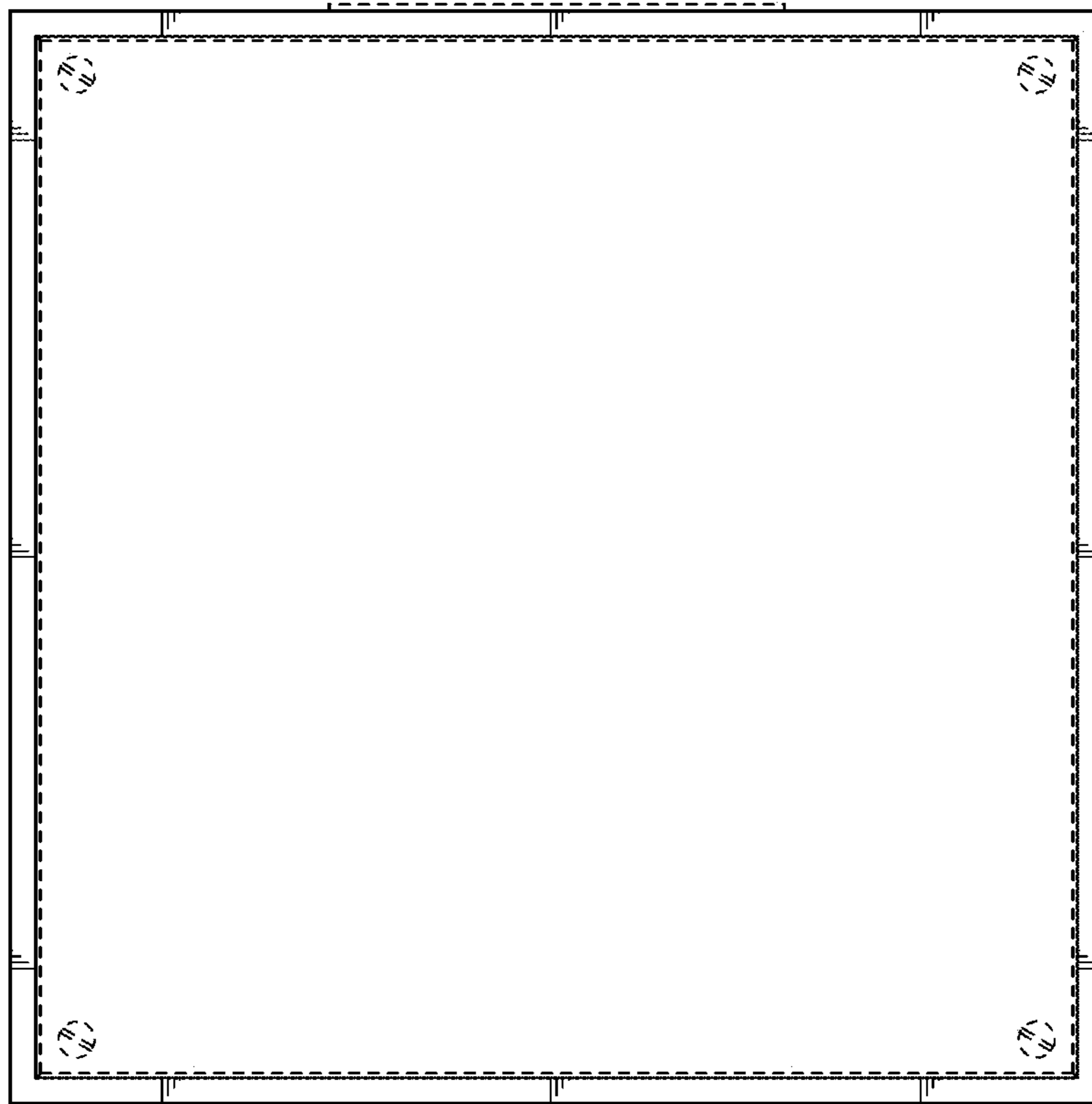


FIG. 2

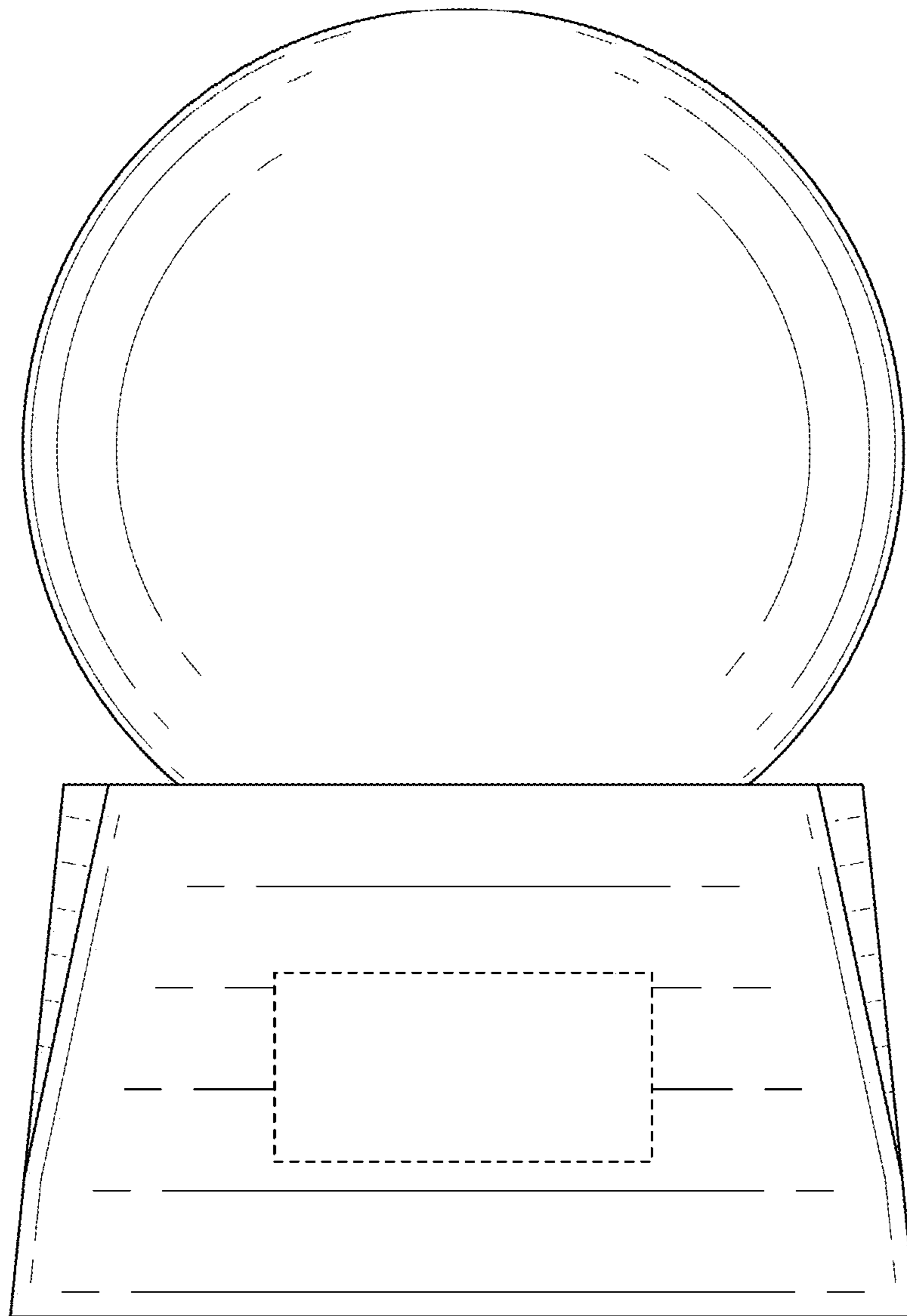


FIG.3

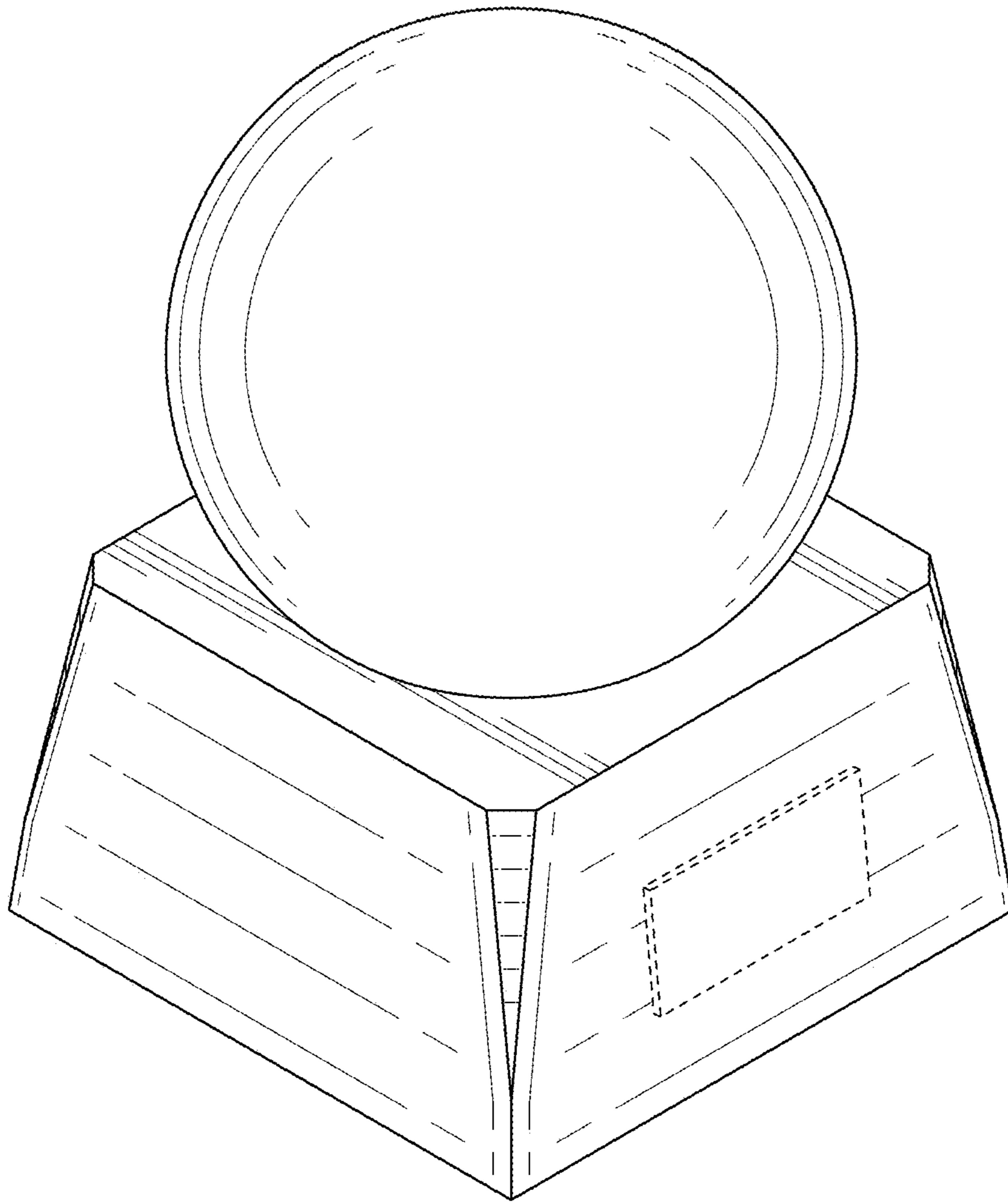


FIG. 4

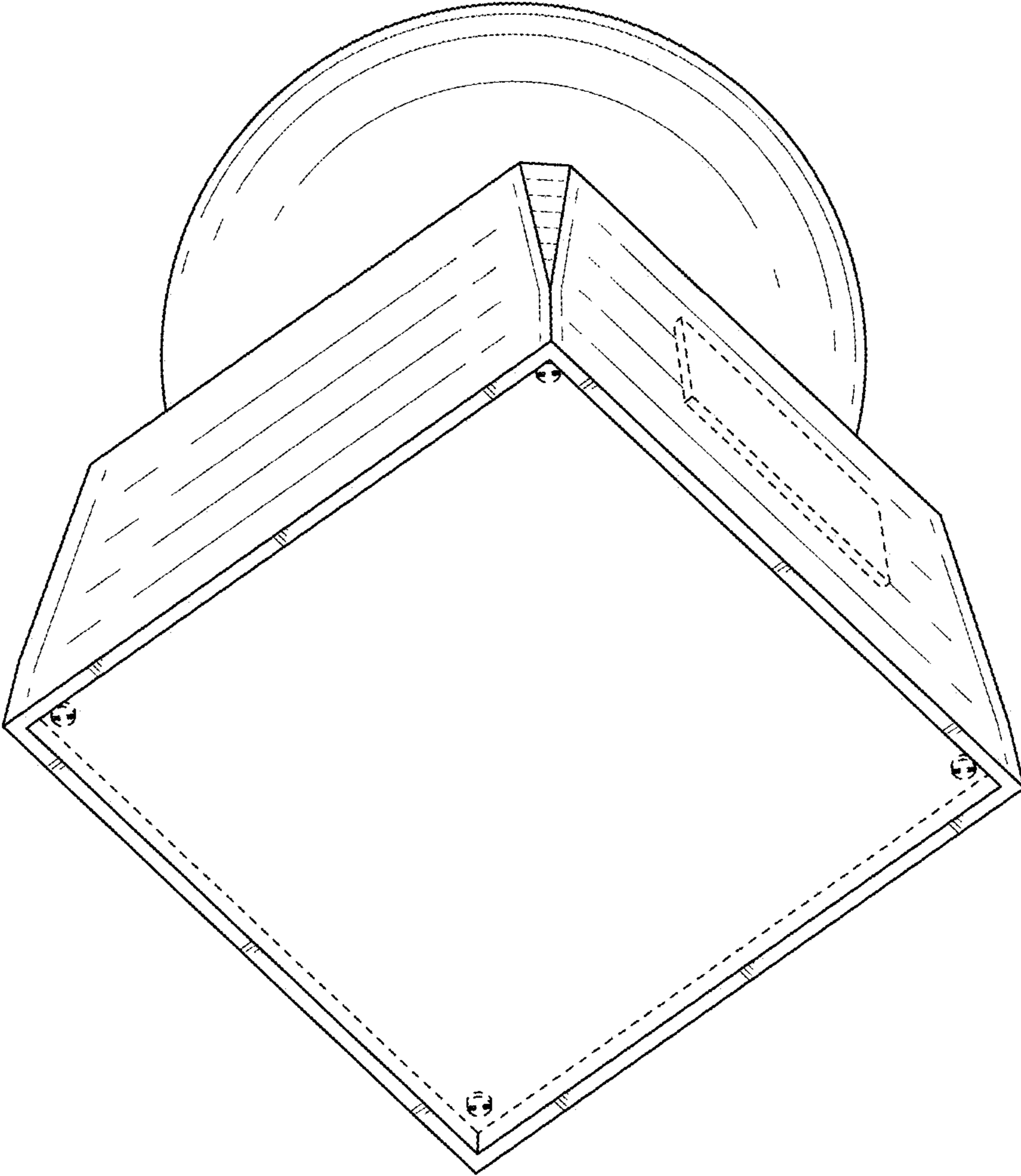


FIG. 5

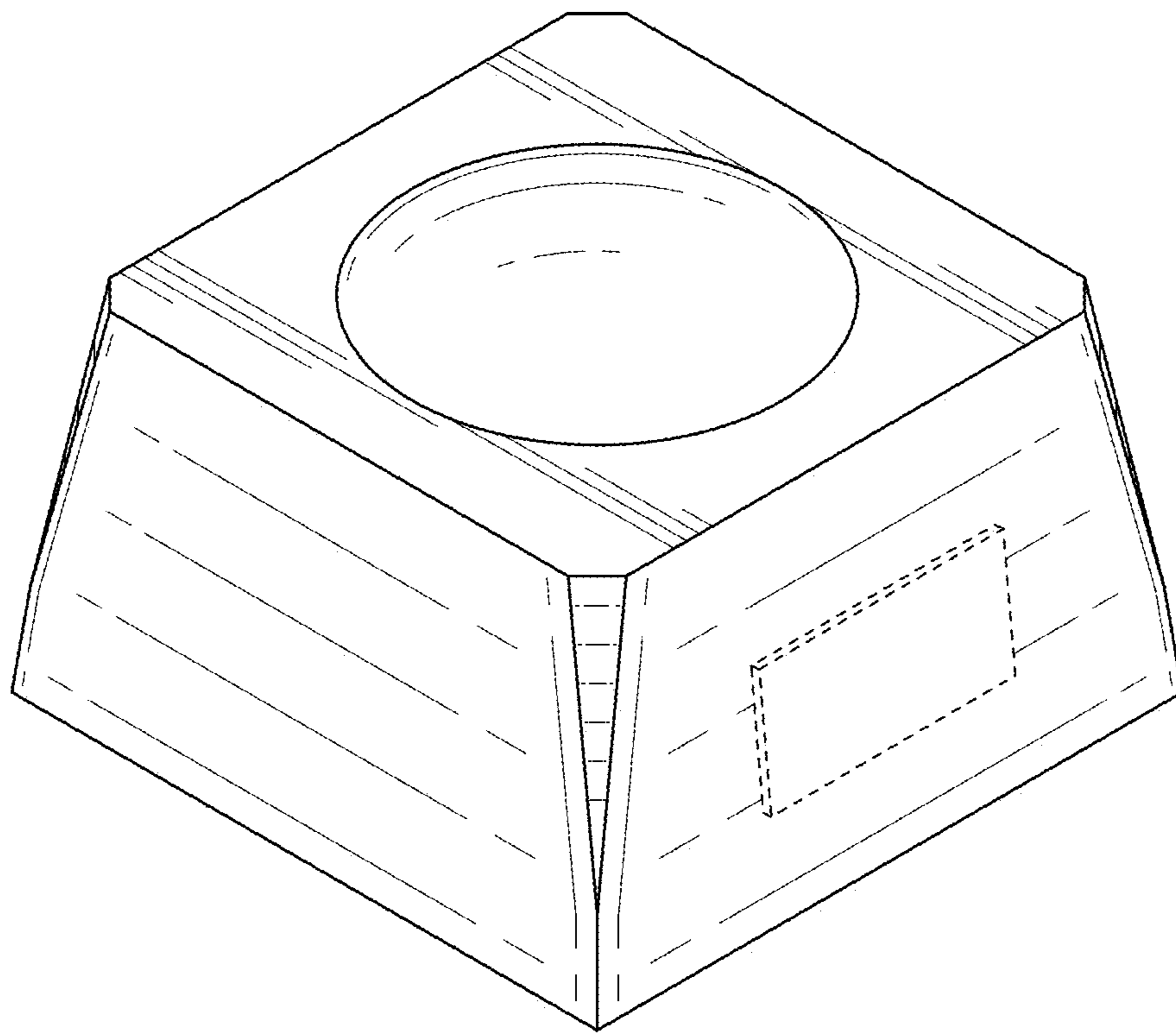


FIG. 6