



US00D915022S

(12) **United States Design Patent** (10) **Patent No.:** **US D915,022 S**
Dunigan et al. (45) **Date of Patent:** **** Mar. 30, 2021**

(54) **LUGGAGE CART**

(56) **References Cited**

(71) Applicant: **Suncast Technologies, LLC**, Palm Beach Gardens, FL (US)

U.S. PATENT DOCUMENTS

(72) Inventors: **Michael P. Dunigan**, Lisle, IL (US);
Stephen Whitehead, Elgin, IL (US)

D230,142 S *	1/1974	Muellner	D34/14
D805,710 S *	12/2017	Thuma	D34/17
D862,025 S *	10/2019	Walter	D34/12
D875,345 S *	2/2020	Thuma	D34/18
D887,662 S *	6/2020	Hickey	D34/5

(73) Assignee: **Suncast Technologies, LLC**, Palm Beach Gardens, FL (US)

* cited by examiner

(**) Term: **15 Years**

Primary Examiner — Cynthia Ramirez

(21) Appl. No.: **29/721,528**

(74) *Attorney, Agent, or Firm* — McHale & Slavin, P.A.

(22) Filed: **Jan. 21, 2020**

(57) **CLAIM**

The ornamental design for a luggage cart, as shown and described.

(51) **LOC (13) Cl.** **12-02**

DESCRIPTION

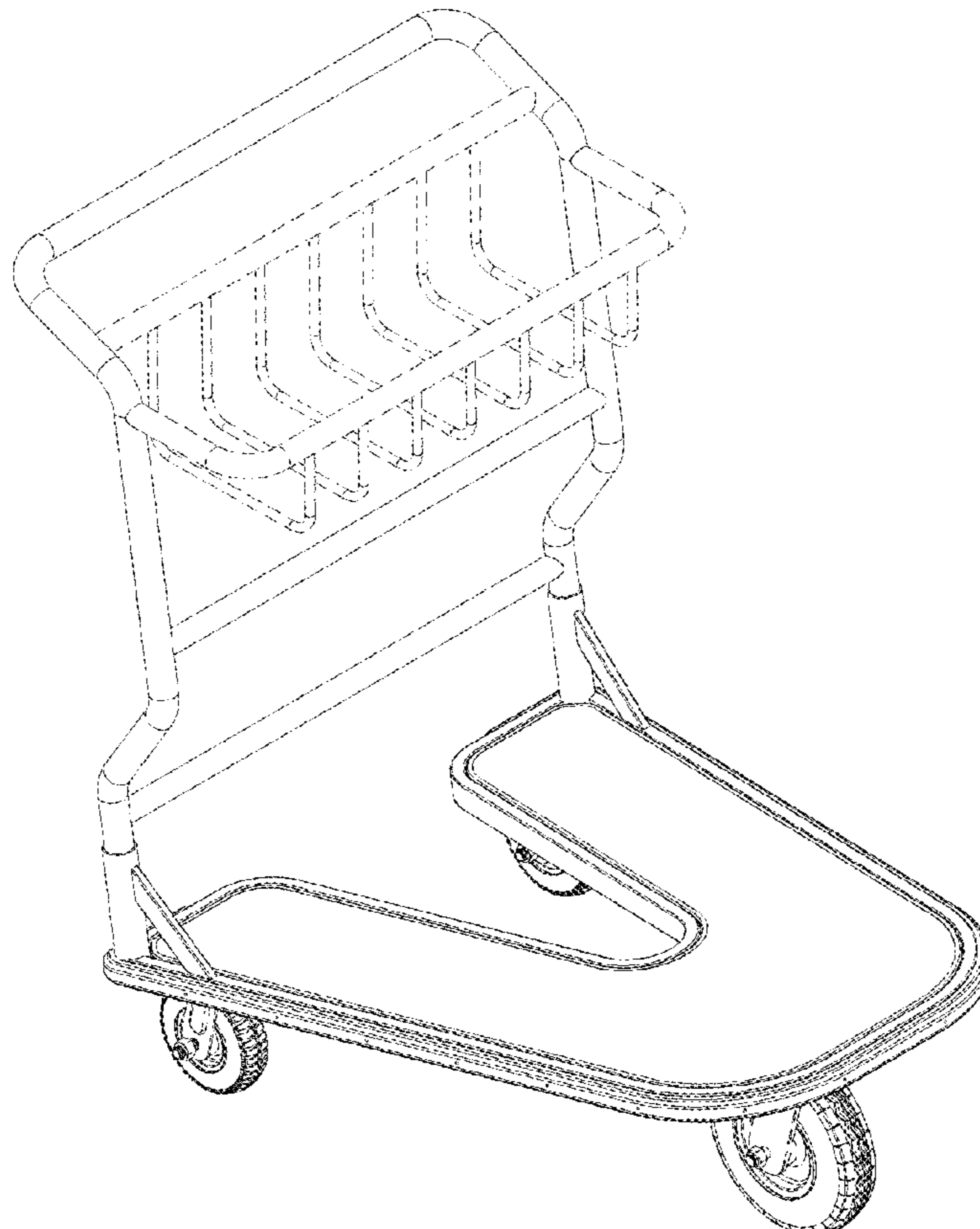
(52) **U.S. Cl.**
USPC **D34/12**

(58) **Field of Classification Search**
USPC D34/12-27
CPC A47B 2031/002; B67D 2210/00133; B62B 7/044; B62B 2205/00; B62B 3/02; B62B 3/022; B62B 5/026; B62B 1/12; B62B 7/12; B62B 1/00; B62B 1/10; B62B 1/264; B62B 1/14; B62B 1/047; B62B 1/04; B62B 3/005; B62B 3/004; B62B 3/027; B62B 3/04

FIG. 1 is a top front left perspective view of the luggage cart of the present invention;
FIG. 2 is a top front right perspective view thereof;
FIG. 3 is a top view thereof;
FIG. 4 is a left side view thereof;
FIG. 5 is a right side view thereof;
FIG. 6 is a front view thereof;
FIG. 7 is a bottom front left perspective view thereof;
FIG. 8 is a bottom view thereof; and,
FIG. 9 is a bottom front right perspective view thereof.
The portions of the luggage cart shown in broken lines in the figures form no part of the claimed design.

See application file for complete search history.

1 Claim, 9 Drawing Sheets



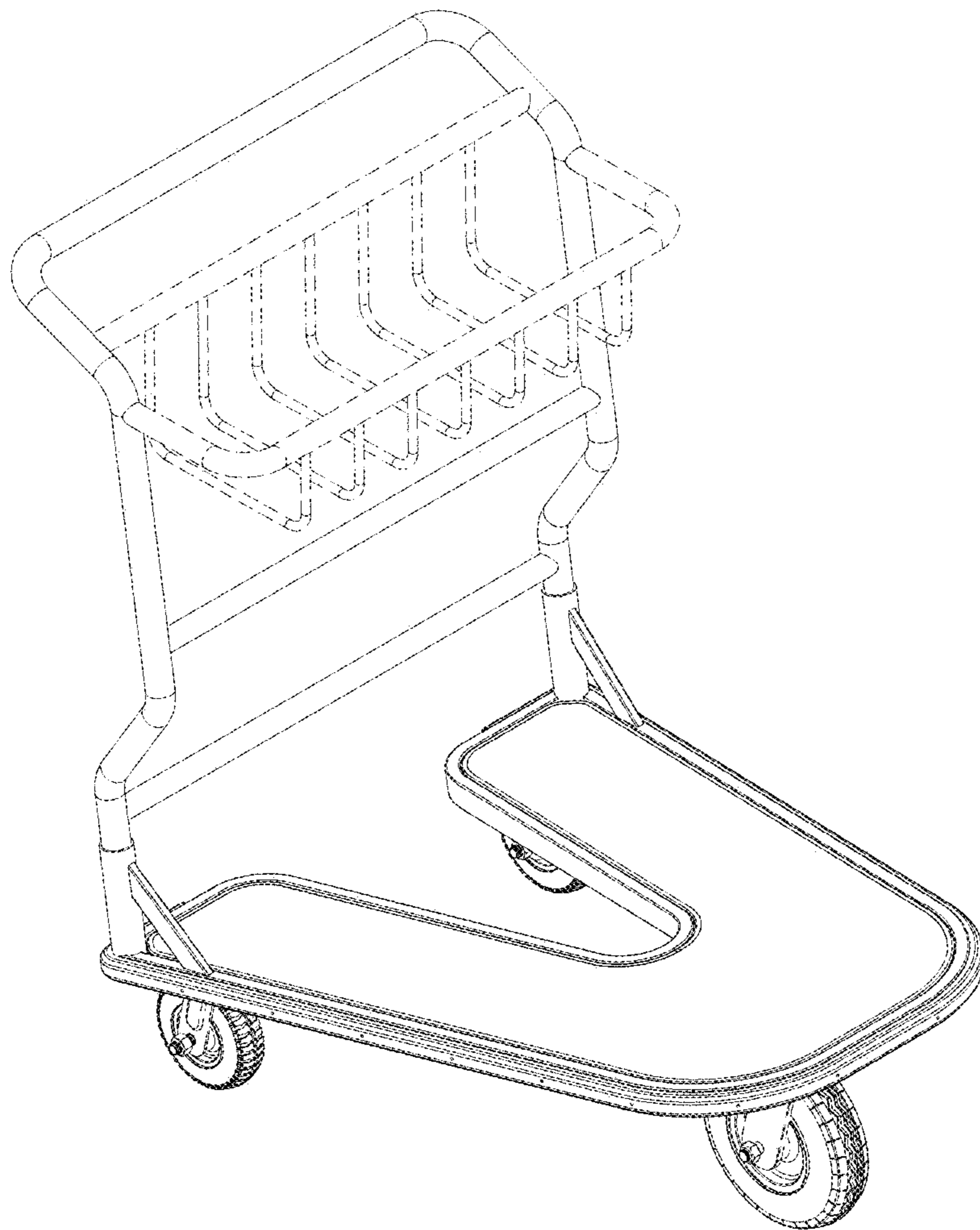


Fig. 1

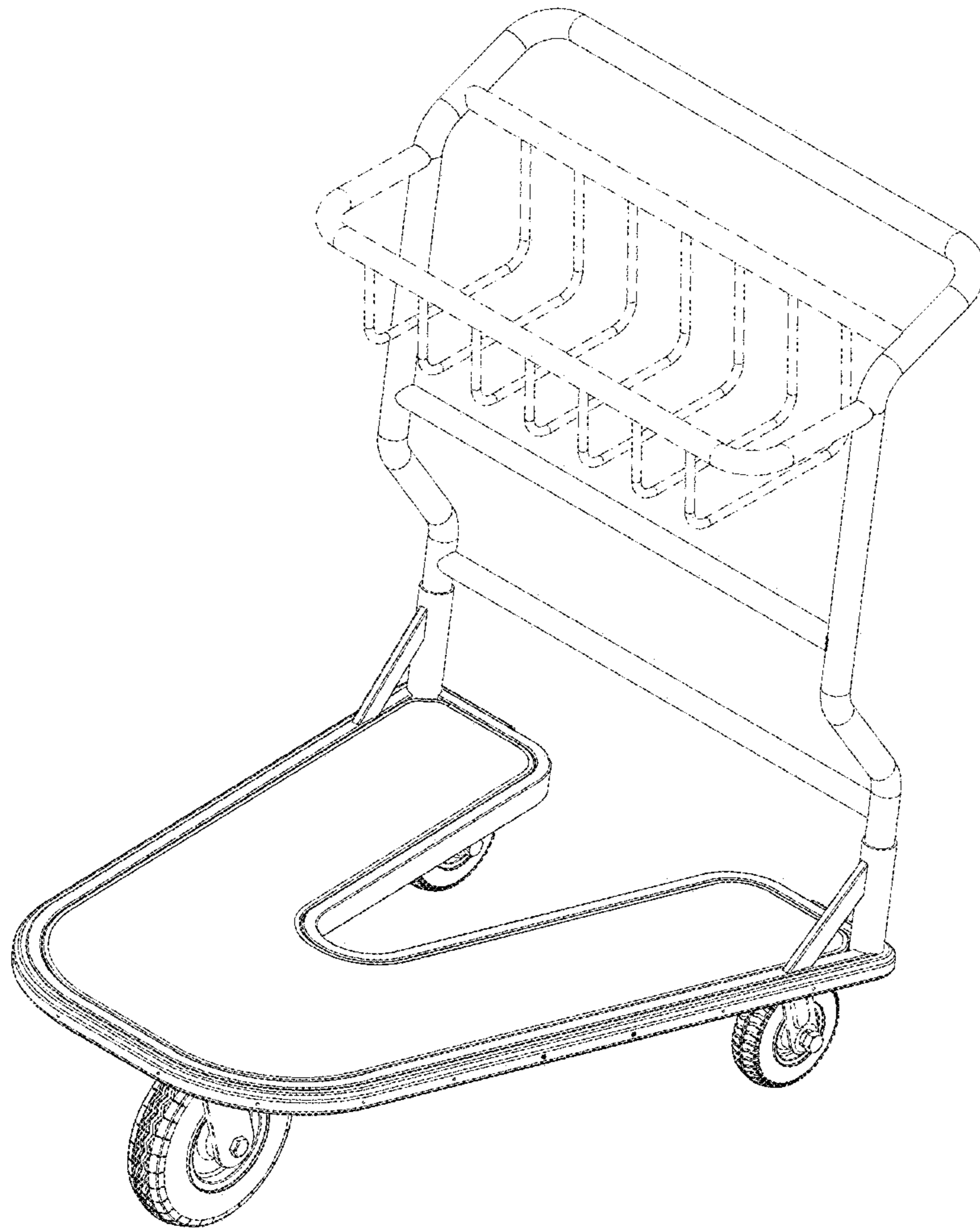


Fig. 2

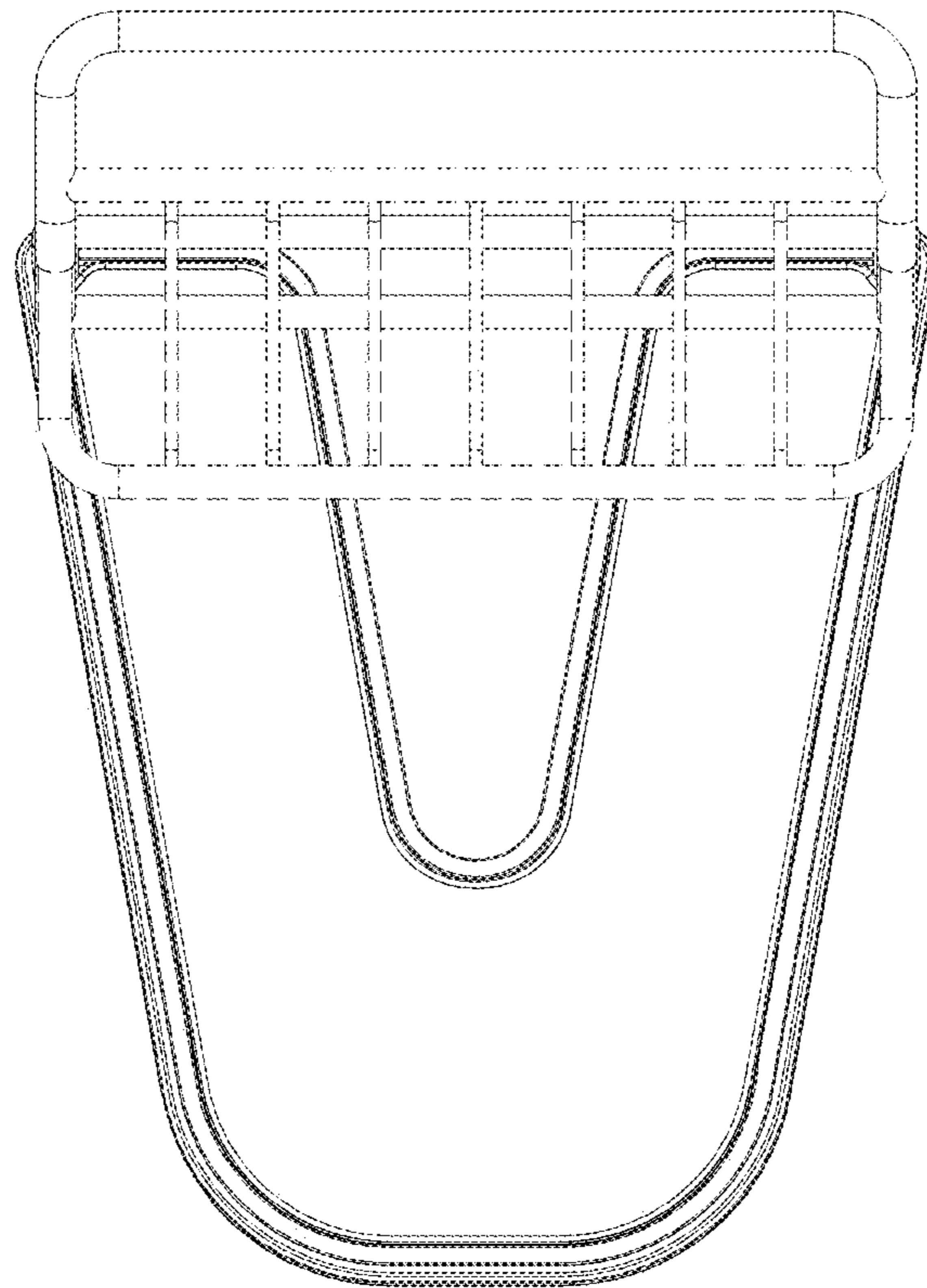


Fig. 3

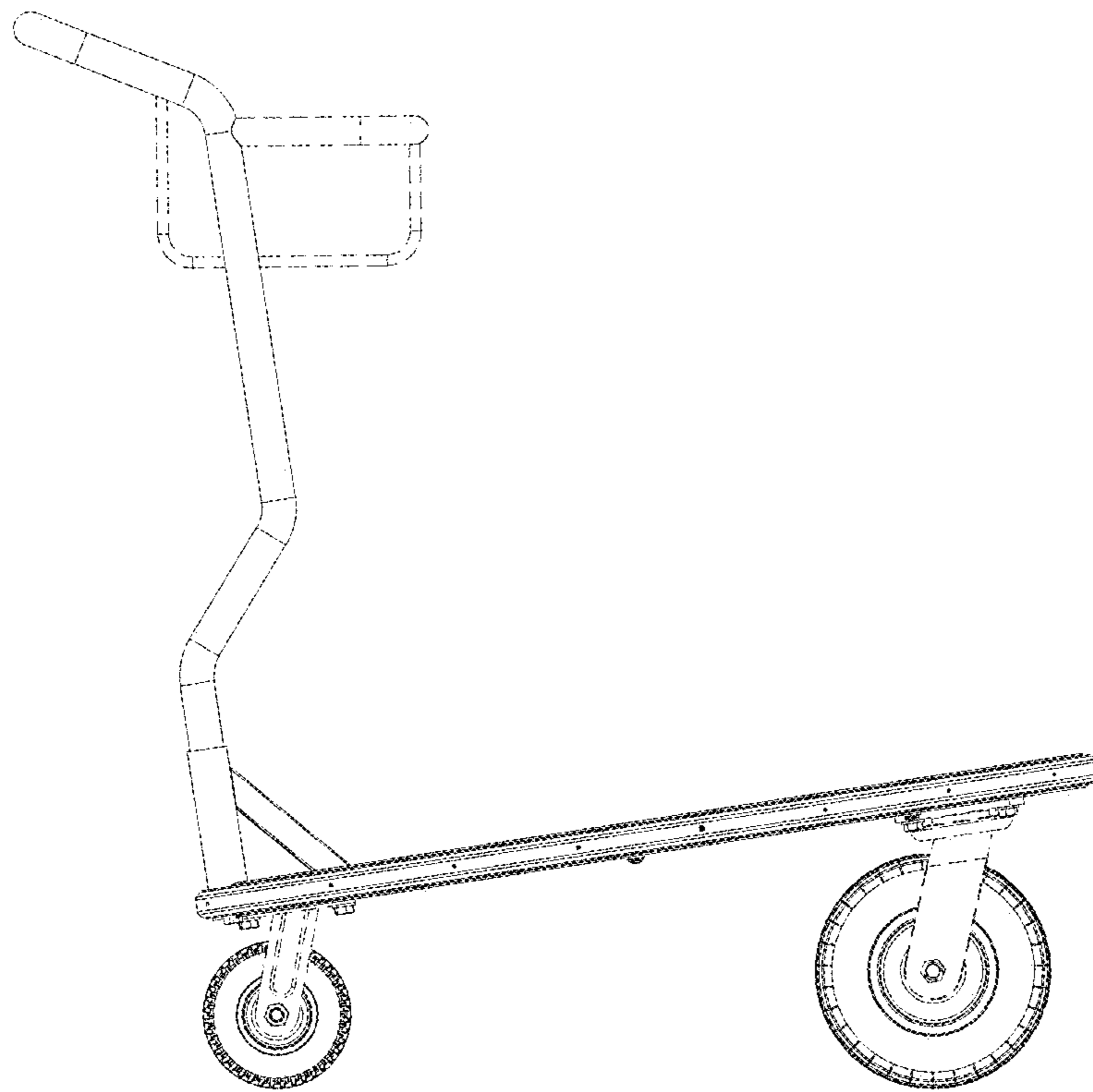


Fig. 4

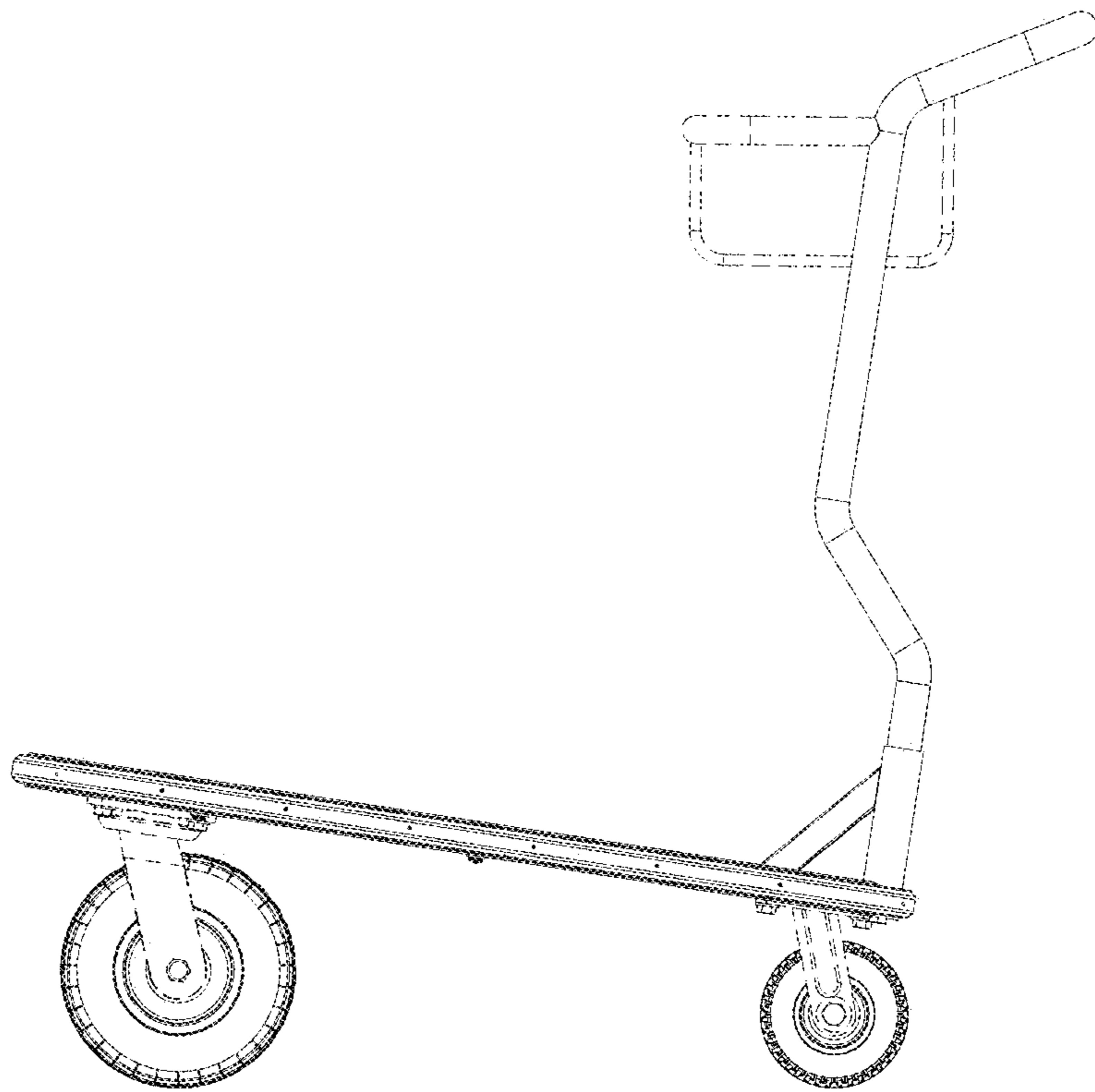


Fig. 5

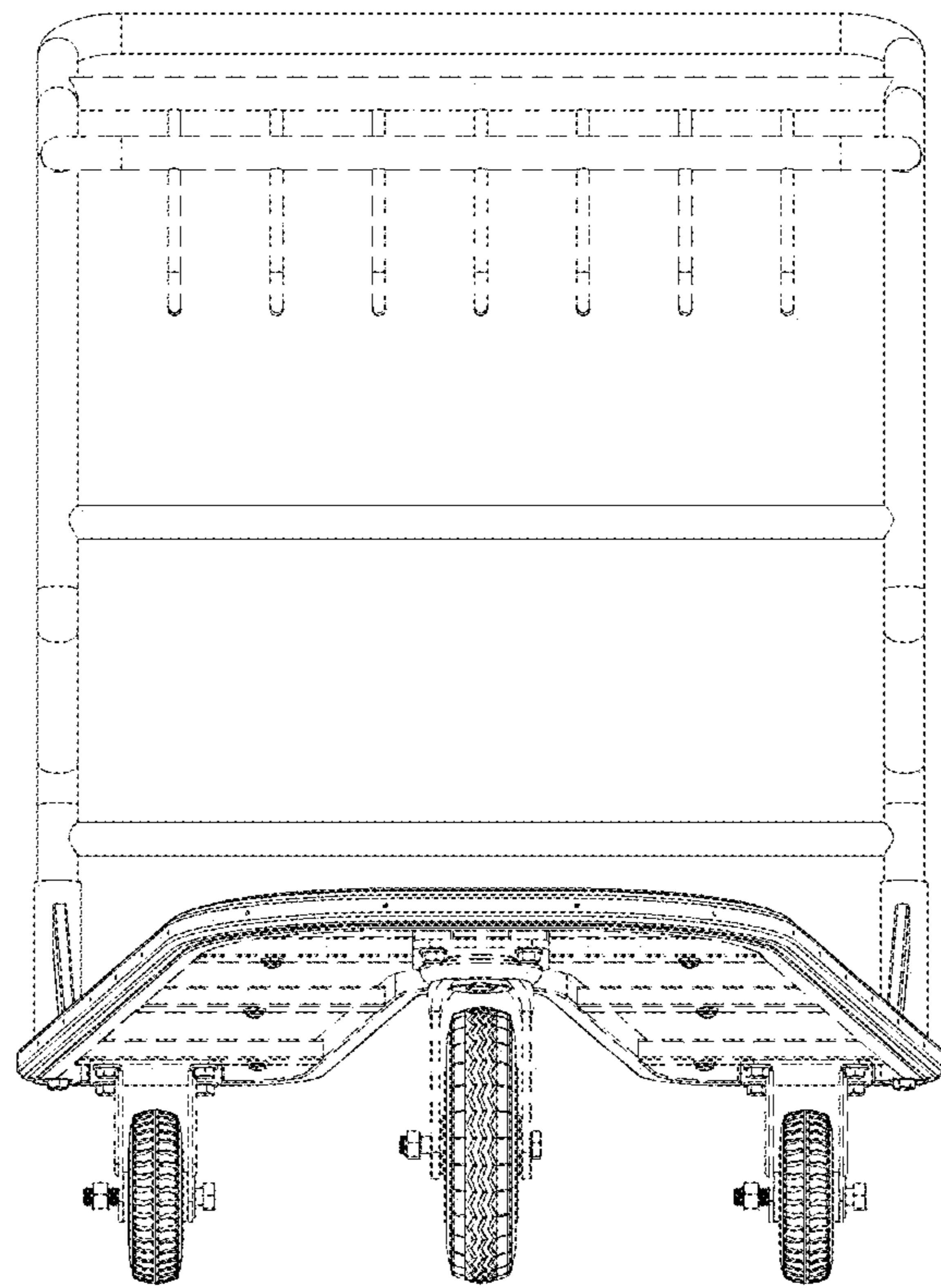


Fig. 6

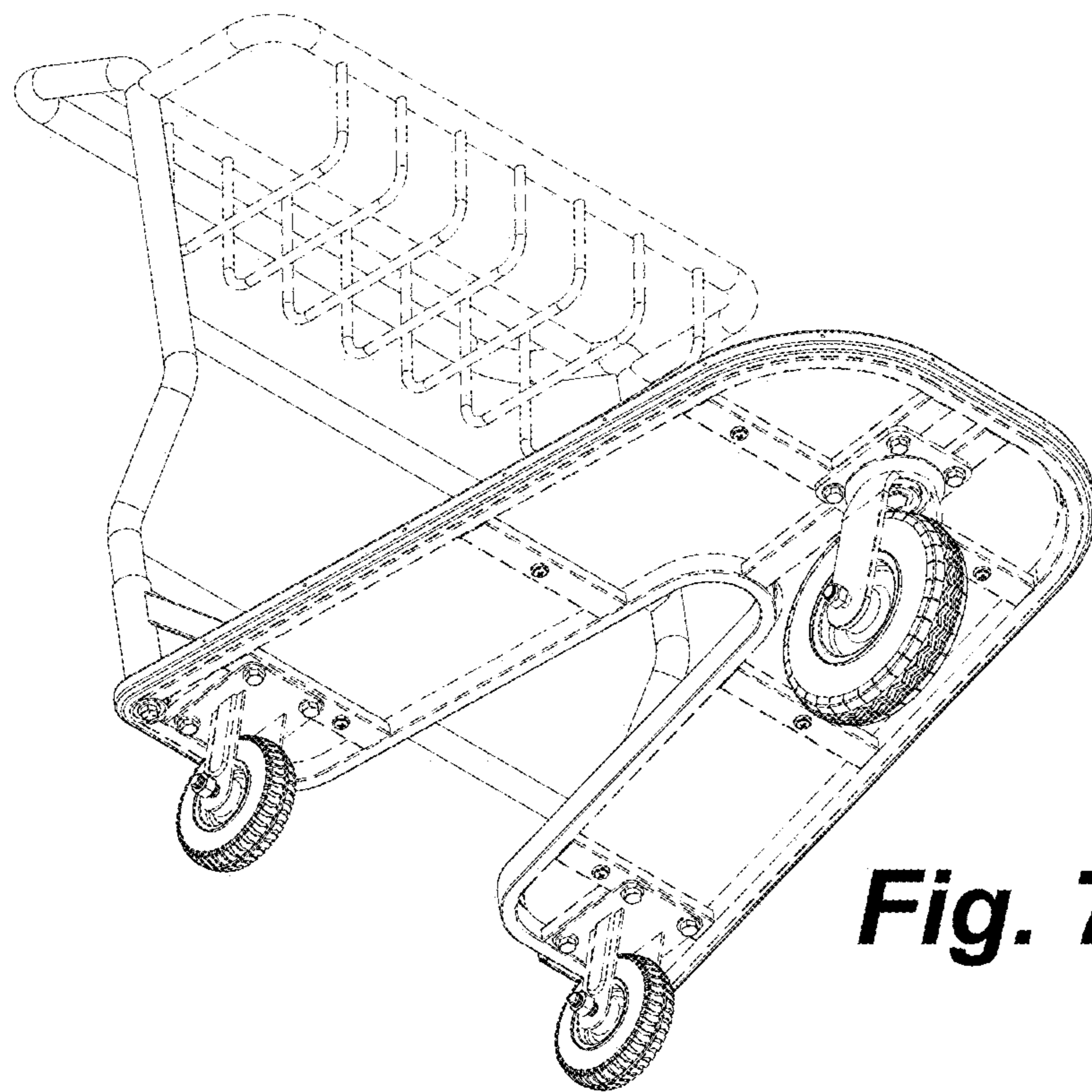


Fig. 7

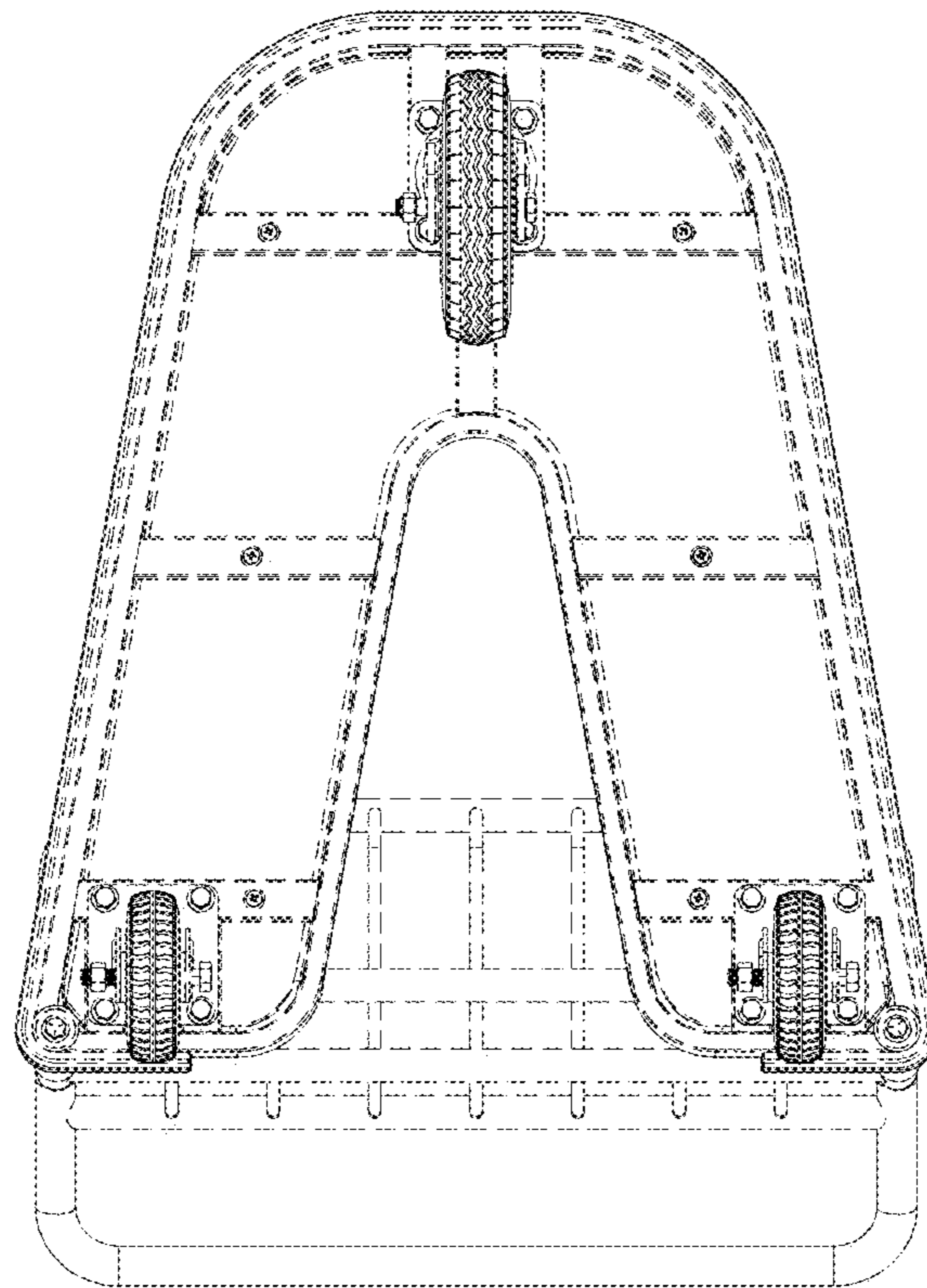


Fig. 8

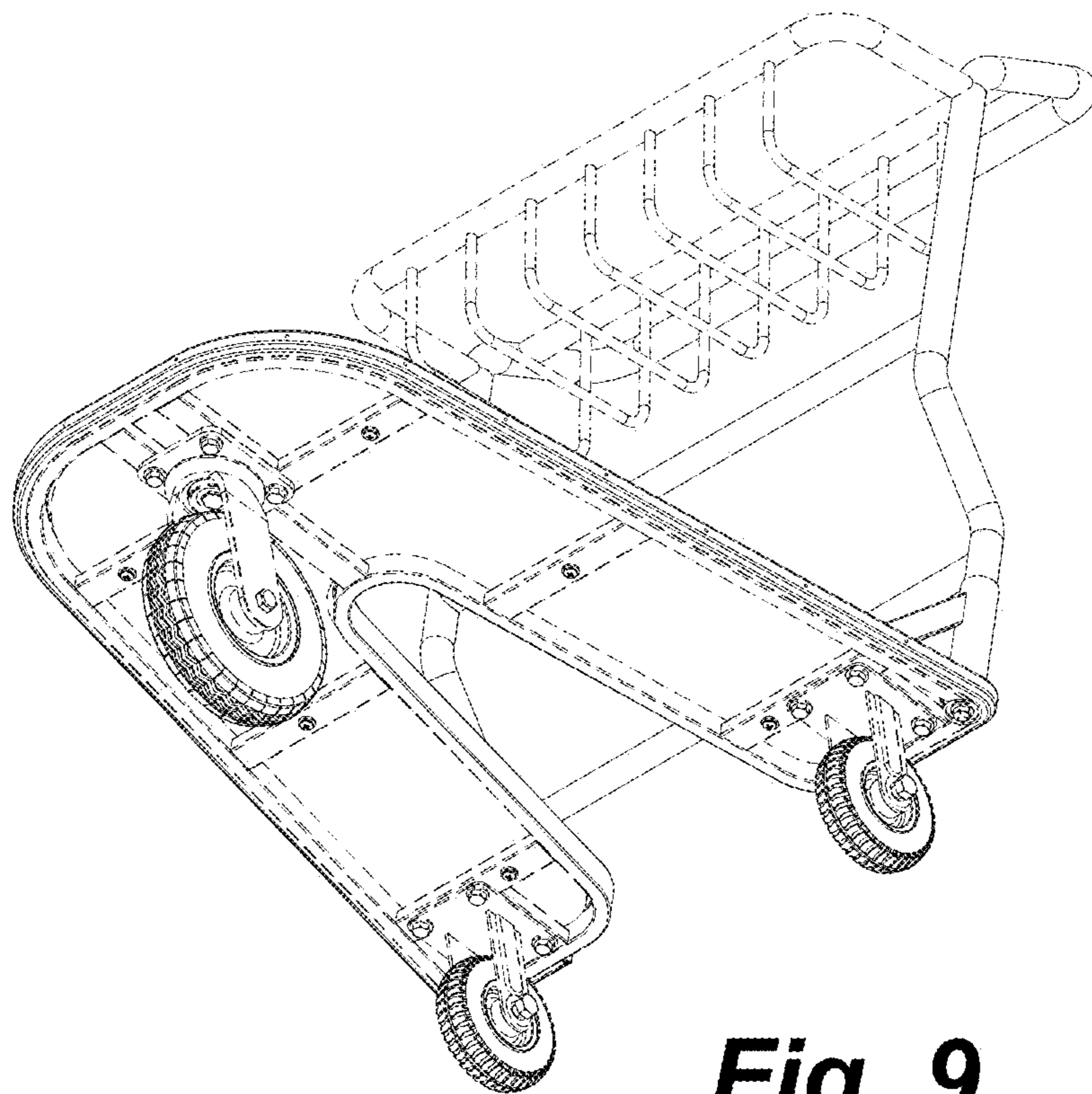


Fig. 9