



US00D915021S

(12) **United States Design Patent**  
**Massar**

(10) **Patent No.:** **US D915,021 S**  
(45) **Date of Patent:** **\*\* Mar. 30, 2021**

(54) **WASTE CONTAINER**

(71) Applicant: **Eli David Massar**, New York, NY (US)

(72) Inventor: **Eli David Massar**, New York, NY (US)

(\*\*) Term: **15 Years**

(21) Appl. No.: **29/669,747**

(22) Filed: **Nov. 10, 2018**

(51) **LOC (13) Cl.** ..... **09-09**

(52) **U.S. Cl.**  
USPC ..... **D34/7**

(58) **Field of Classification Search**  
USPC ..... D34/1, 7, 9, 10, 11; 220/263, 264, 211  
CPC ..... B65F 1/163; B65F 1/1638; B62B 2202/20  
See application file for complete search history.

(56) **References Cited**

**U.S. PATENT DOCUMENTS**

D458,430 S *	6/2002	Hogarth	.....	D34/7
D580,613 S *	11/2008	Yang	.....	D34/7
D634,911 S *	3/2011	Yang	.....	D34/7
D790,145 S *	6/2017	Chen	.....	D34/7
D809,729 S *	2/2018	Chen	.....	D34/7

D855,919 S *	8/2019	Yang	.....	D34/7
D860,570 S *	9/2019	Chen	.....	D34/7
2011/0220648 A1 *	9/2011	Yang	.....	B65F 1/1638 220/211

\* cited by examiner

*Primary Examiner* — Gino Colan

(74) *Attorney, Agent, or Firm* — Keeley DeAngelo LLP;  
W Scott Keeley

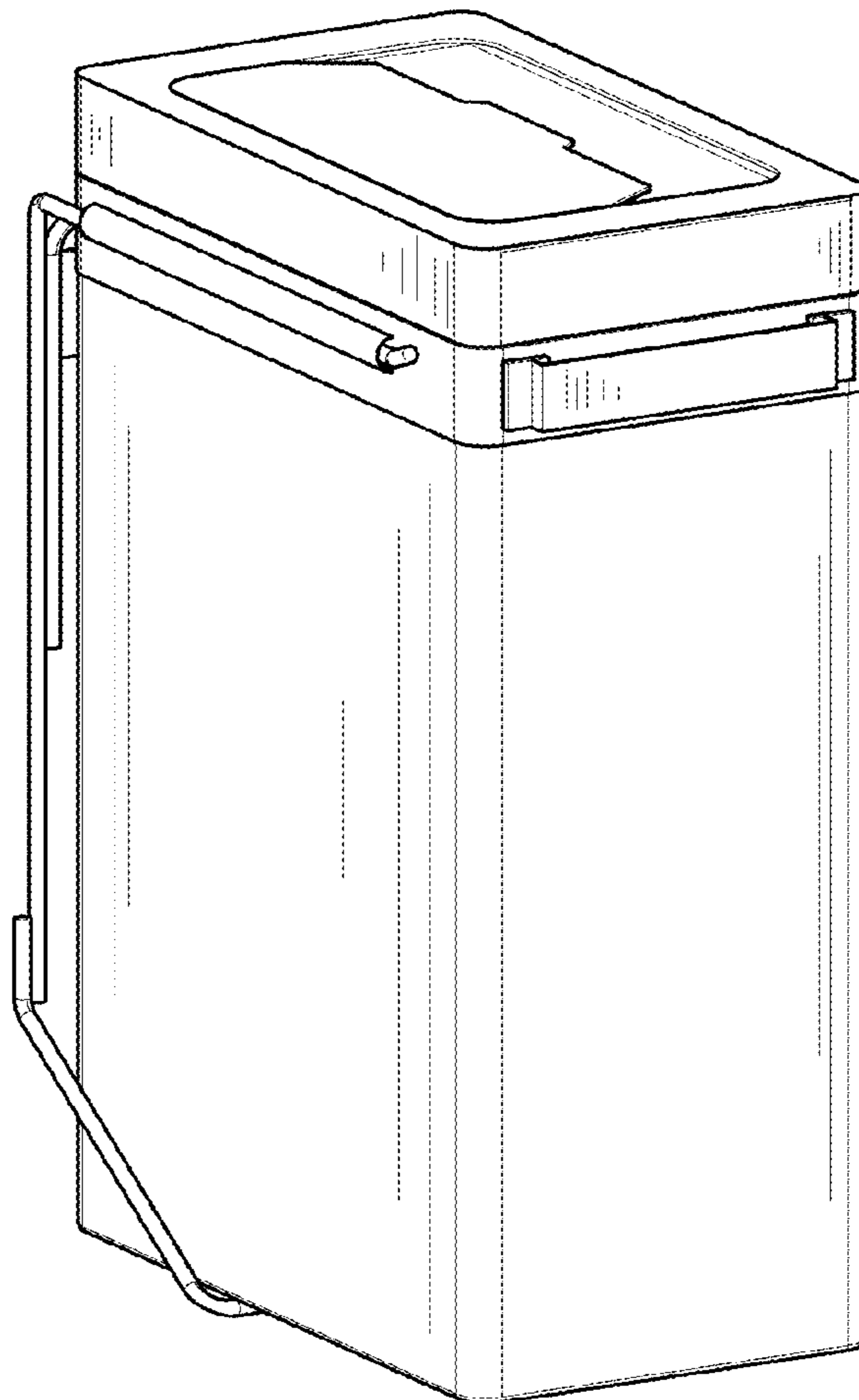
(57) **CLAIM**

The ornamental design for a waste container, as shown and described.

**DESCRIPTION**

FIG. 1 is a front perspective view of a waste container showing my new design;  
FIG. 2 is a rear perspective view thereof;  
FIG. 3 is an exploded view thereof;  
FIG. 4 is a front perspective, partial section view thereof;  
FIG. 5 is a front view thereof;  
FIG. 6 is a left side view thereof, the right side view being a mirror image thereof;  
FIG. 7 is a rear view thereof;  
FIG. 8 is a top plan view thereof; and,  
FIG. 9 is a bottom plan view thereof.

**1 Claim, 9 Drawing Sheets**



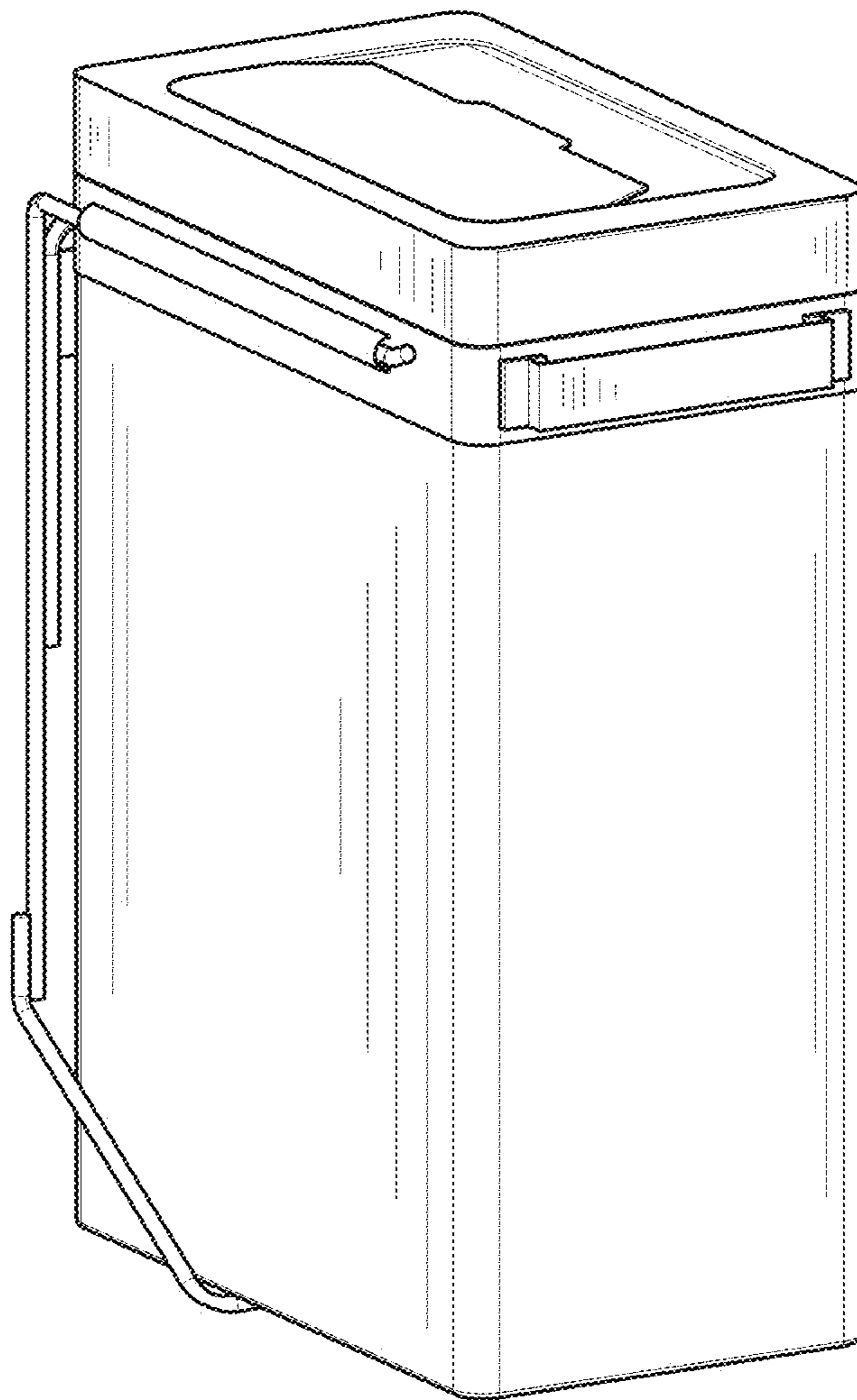


FIG. 1

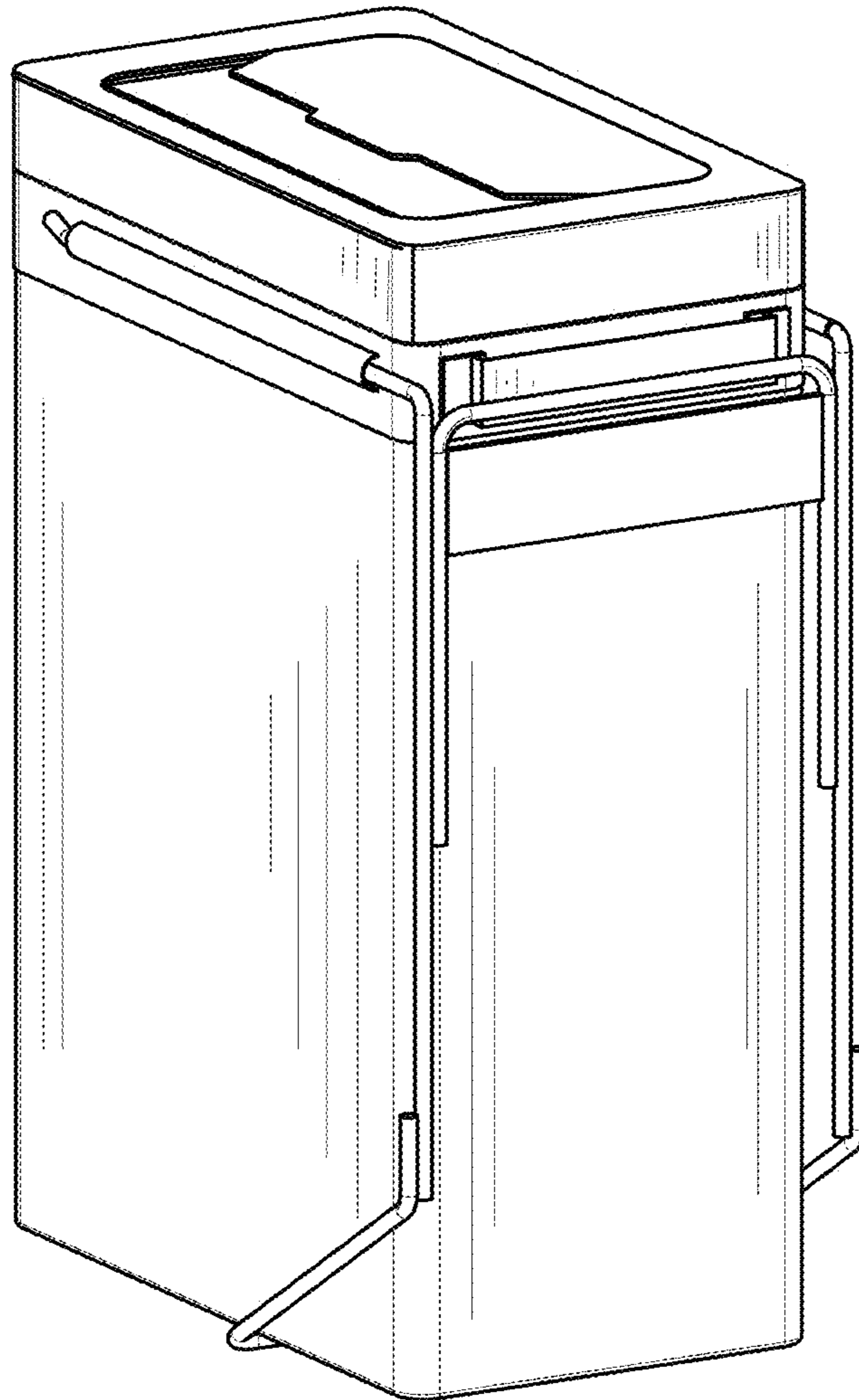


FIG. 2

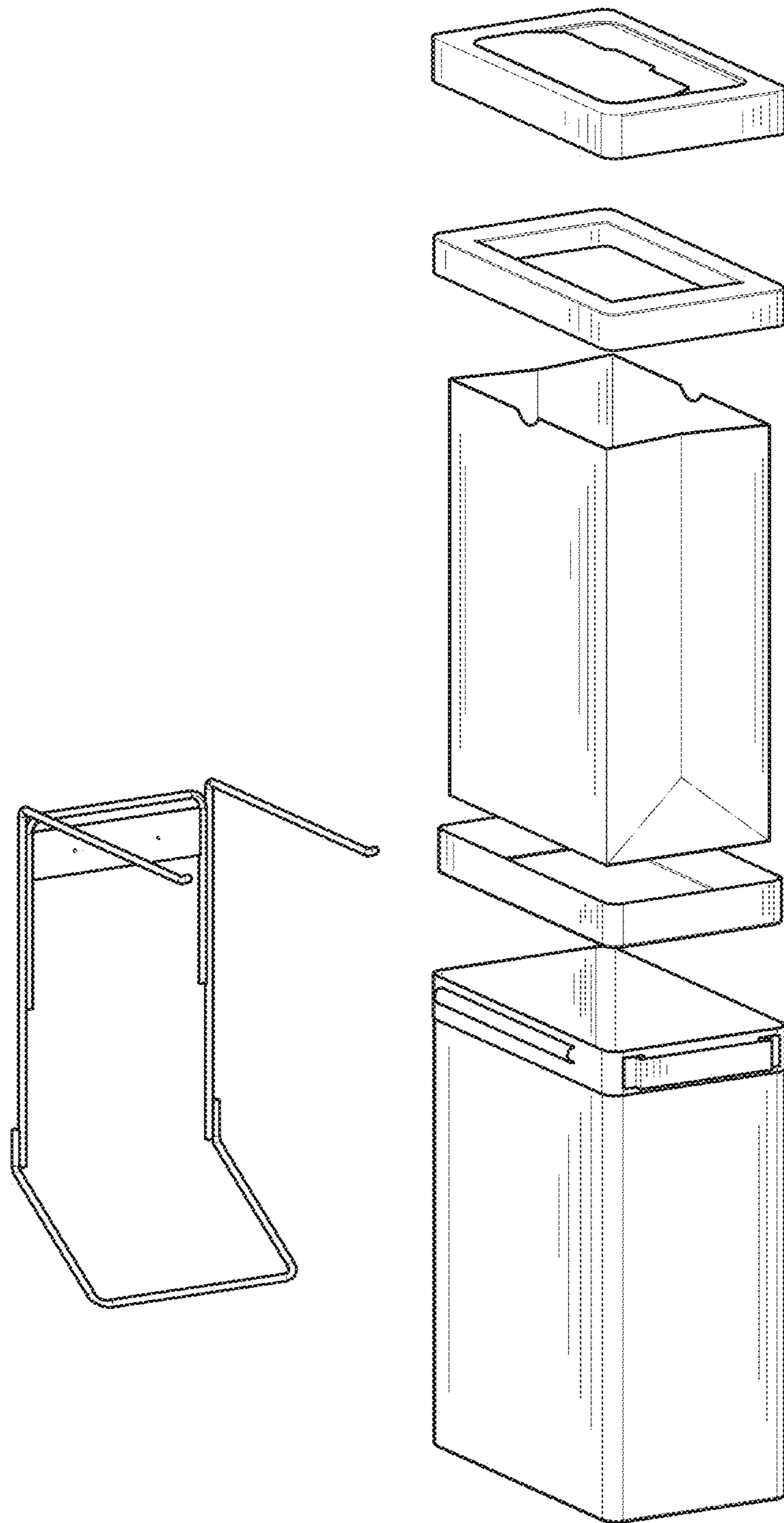


FIG. 3

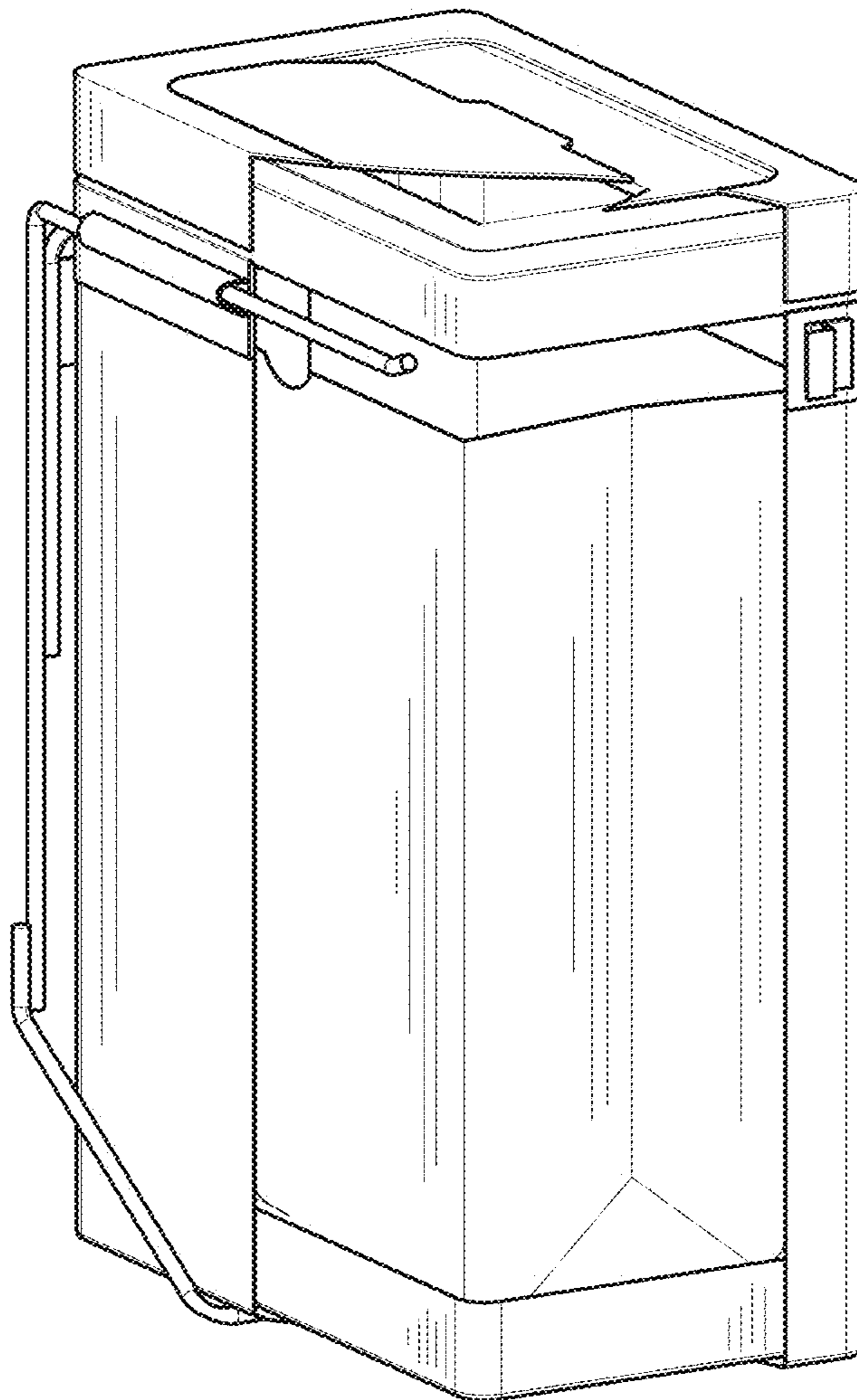


FIG. 4



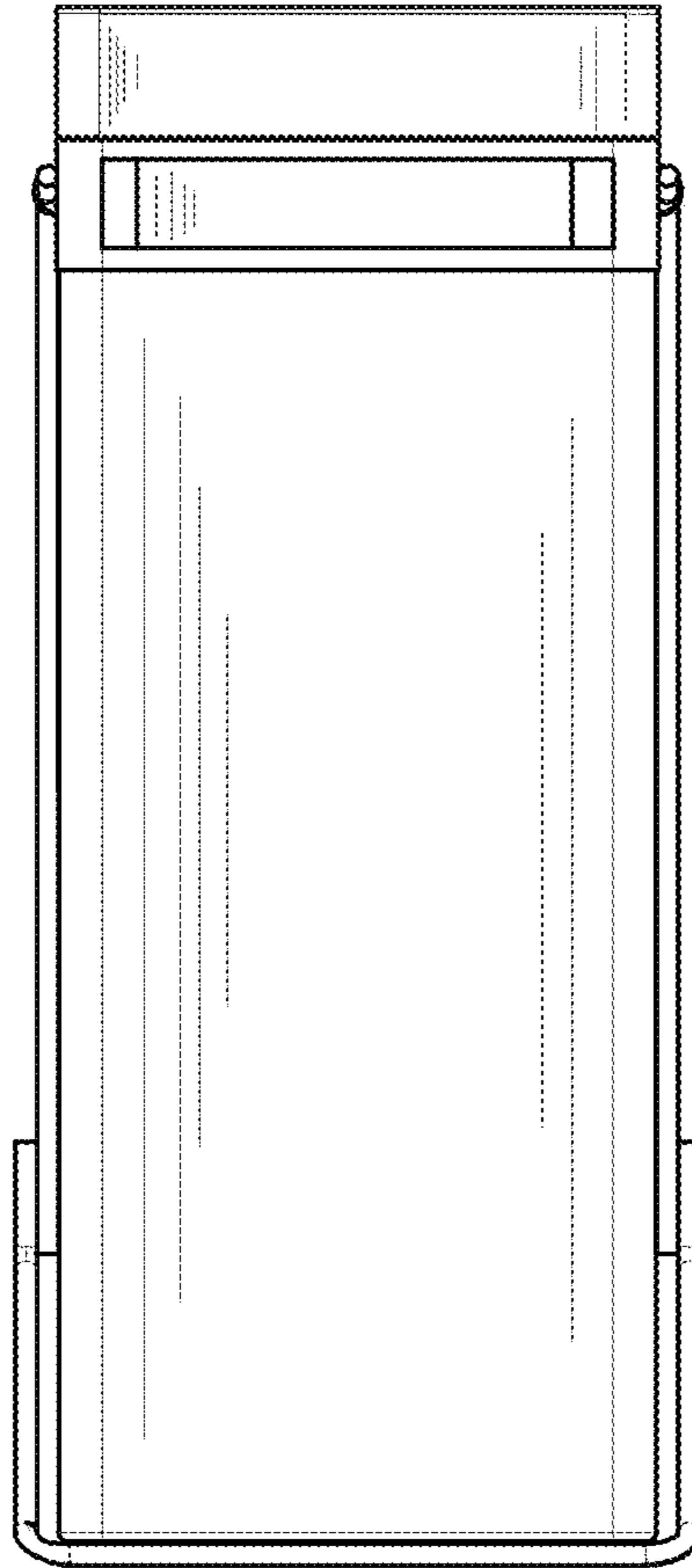


FIG. 5

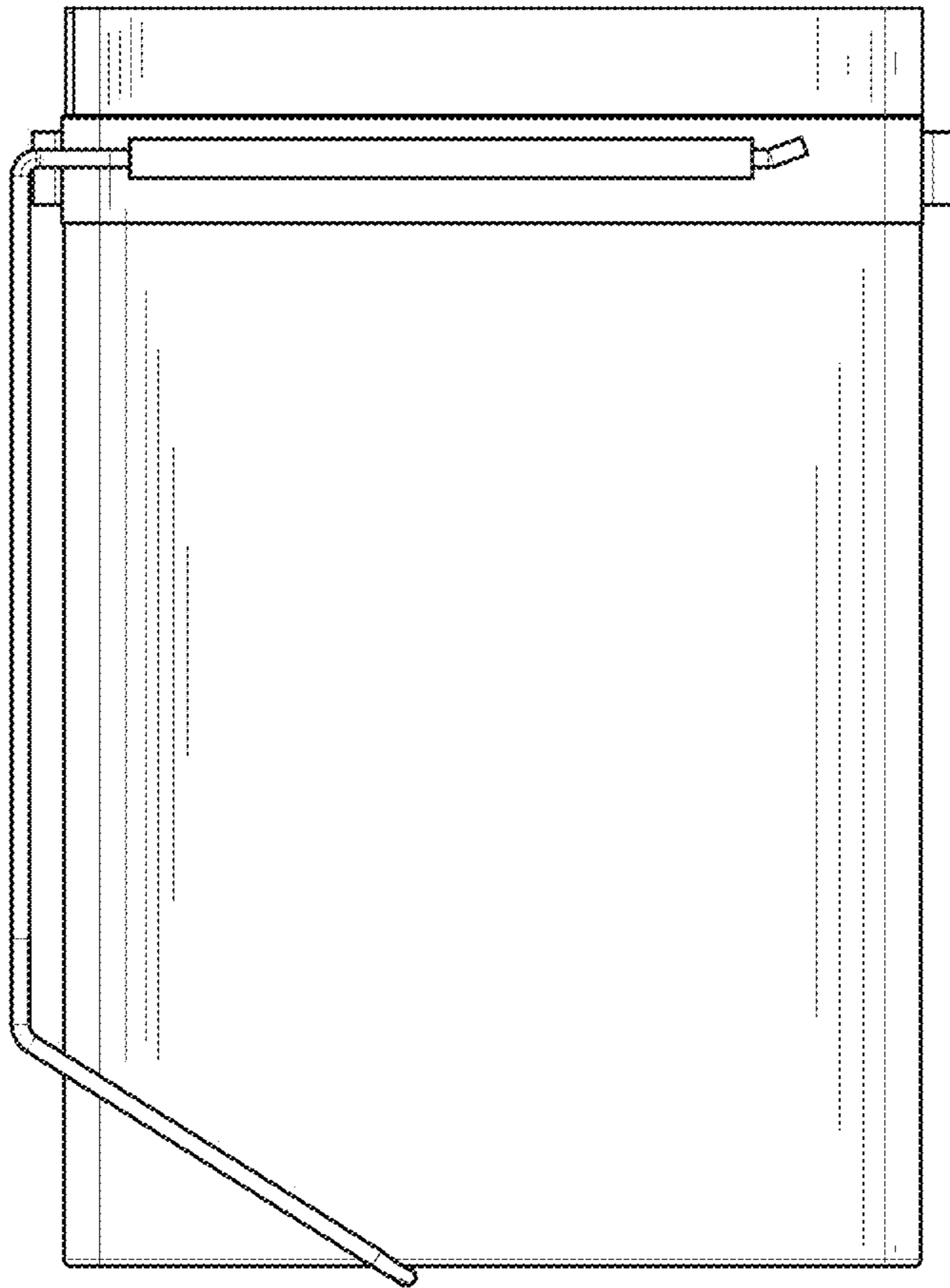


FIG. 6

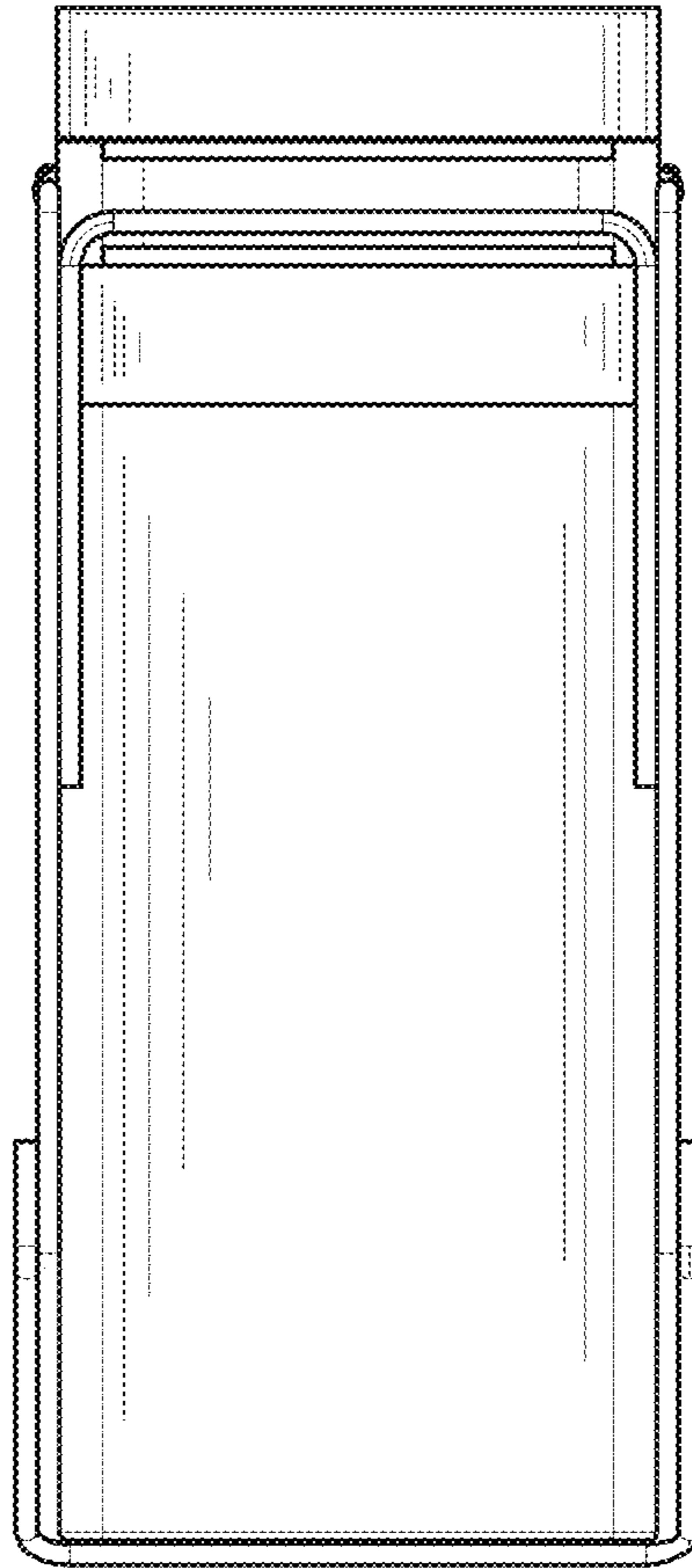


FIG. 7



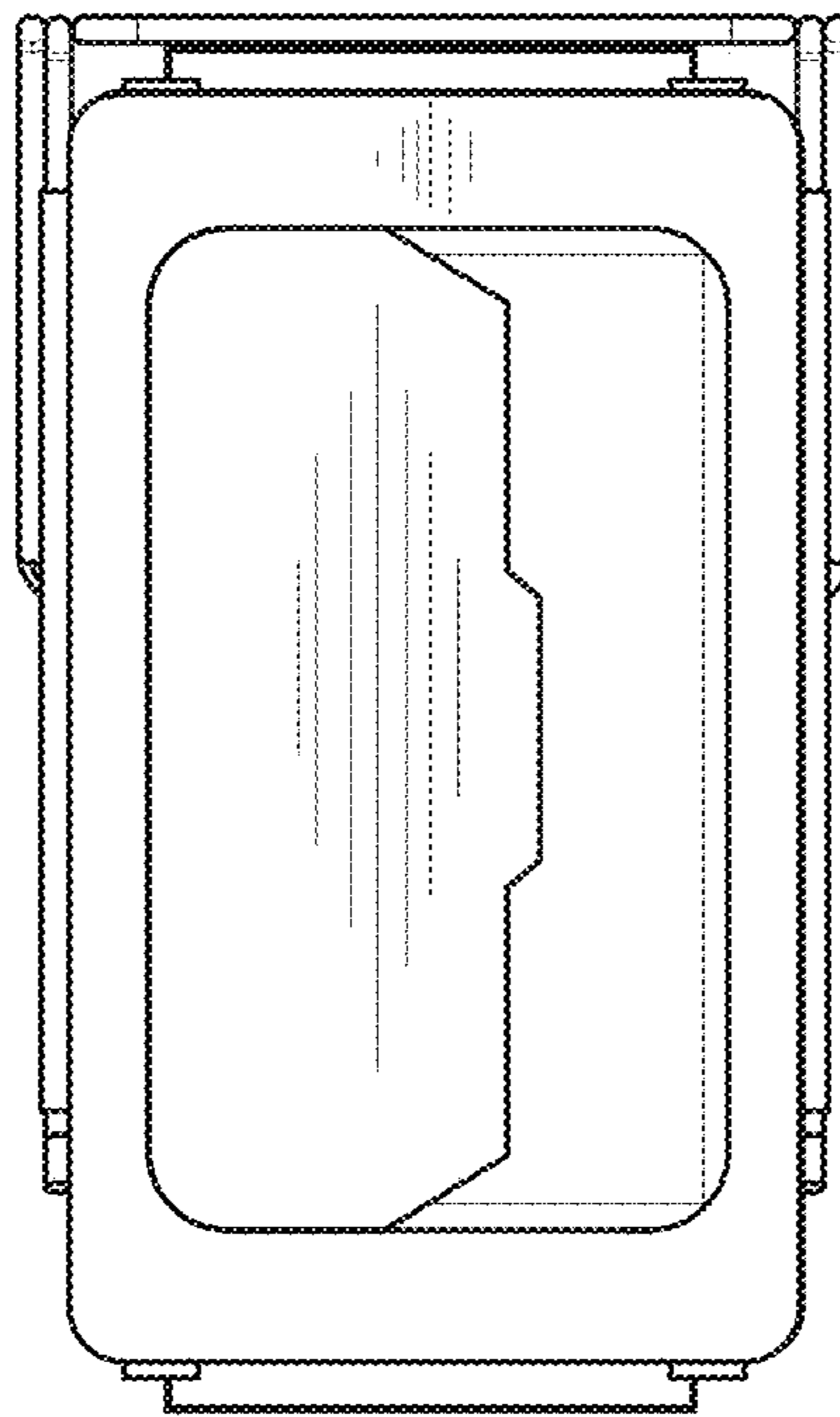


FIG. 8

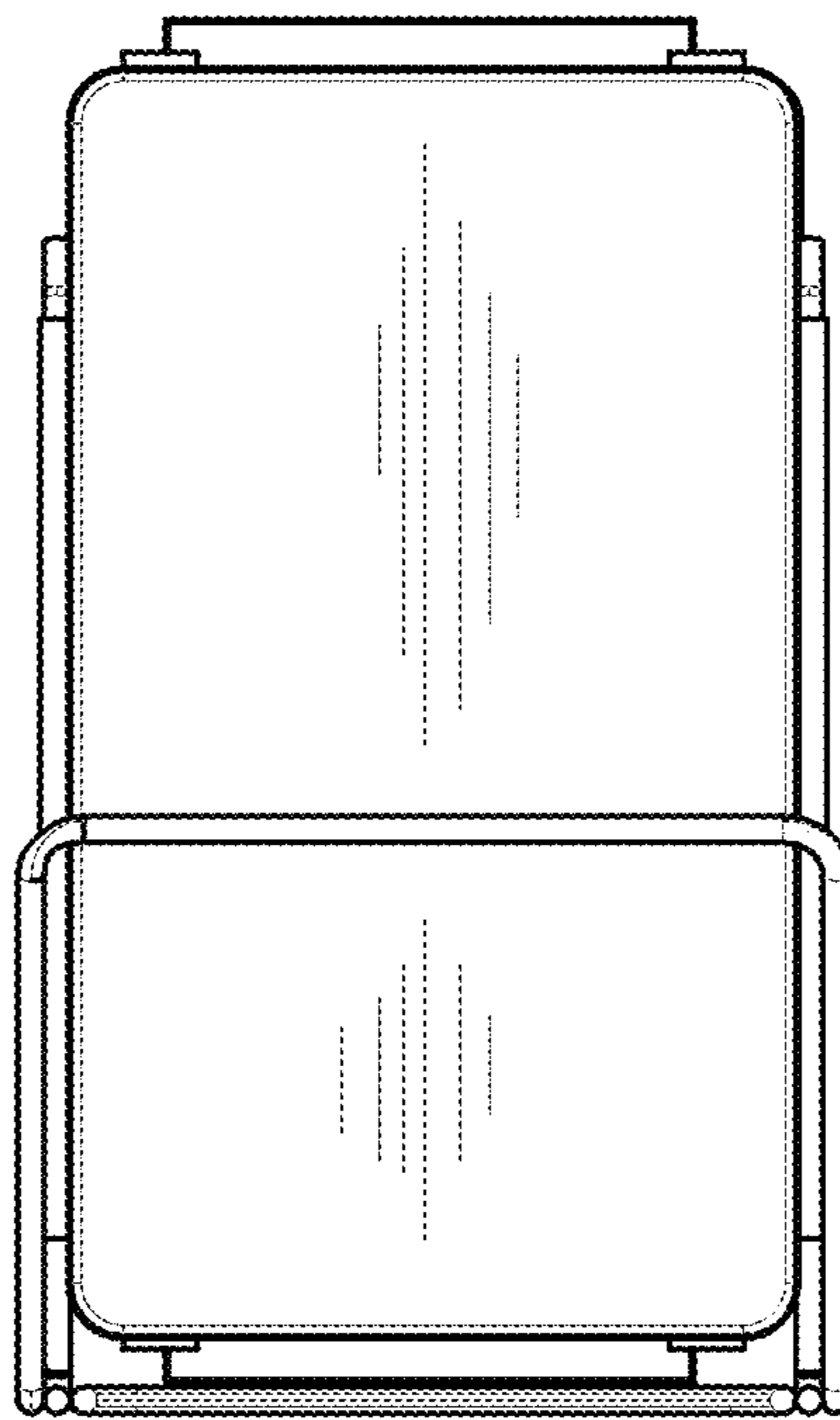


FIG. 9