



US00D915018S

(12) **United States Design Patent** (10) **Patent No.:** **US D915,018 S**
Fosh (45) **Date of Patent:** **** Mar. 30, 2021**

(54) **CLEANING MOP**

9/281; A47L 9/2842; A47L 9/2857; A47L
9/2868; A47L 9/2884; A47L 9/32; A47L
9/322; A46D 1/0207

(71) Applicant: **Paul Fosh**, London (GB)

See application file for complete search history.

(72) Inventor: **Paul Fosh**, London (GB)

(56) **References Cited**

(**) Term: **15 Years**

U.S. PATENT DOCUMENTS

(21) Appl. No.: **35/508,358**

D490,952 S *	6/2004	Ajluni	D32/50
D566,917 S *	4/2008	Renner	D32/50
D597,718 S *	8/2009	McNeil	D32/45
D607,169 S *	12/2009	Weis	D32/40
D609,421 S *	2/2010	Oswick	D32/50
D680,290 S *	4/2013	Hsiao	D32/50
D765,330 S *	8/2016	Lentine	D32/45
D766,528 S *	9/2016	Choi	D32/50
D766,529 S *	9/2016	Kim	D32/50
D822,299 S *	7/2018	Fair	D32/50
D855,271 S *	7/2019	Liang	D32/50
D866,897 S *	11/2019	Baxter	D32/50

(22) Filed: **Aug. 15, 2019**

(80) **Hague Agreement Data**

Int. Filing Date: **Aug. 15, 2019**

Int. Reg. No.: **DM/205139**

Int. Reg. Date: **Aug. 15, 2019**

Int. Reg. Pub. Date: **Jan. 17, 2020**

* cited by examiner

(51) **LOC (13) Cl.** **32-01**

(52) **U.S. Cl.**
USPC **D32/50**

Primary Examiner — Khawaja Anwar

(58) **Field of Classification Search**

USPC D32/40–45, 50–52

CPC A46B 2200/302; A46B 17/08; A46B

2200/3026; A46B 2200/3033; A46B

5/0095; A46B 5/021; A46B 7/044; A46B

7/046; A46B 7/048; A46B 9/02; A47L

11/24; A47L 11/4038; A47L 11/4044;

A47L 11/4055; A47L 13/256; A47L

13/44; A47L 11/16; A47L 11/283; A47L

11/302; A47L 11/305; A47L 11/4008;

A47L 11/4013; A47L 11/4016; A47L

11/4041; A47L 11/4061; A47L 11/4077;

A47L 11/4083; A47L 5/16; A47L 5/24;

A47L 5/28; A47L 9/00; A47L 9/02; A47L

9/0673; A47L 9/104; A47L 9/106; A47L

9/12; A47L 9/14; A47L 9/1641; A47L

9/1683; A47L 9/1691; A47L 9/22; A47L

(57) **CLAIM**

The ornamental design for a cleaning mop, as shown and described.

DESCRIPTION

1. Cleaning mop

1.1 : Front

1.2 : Back

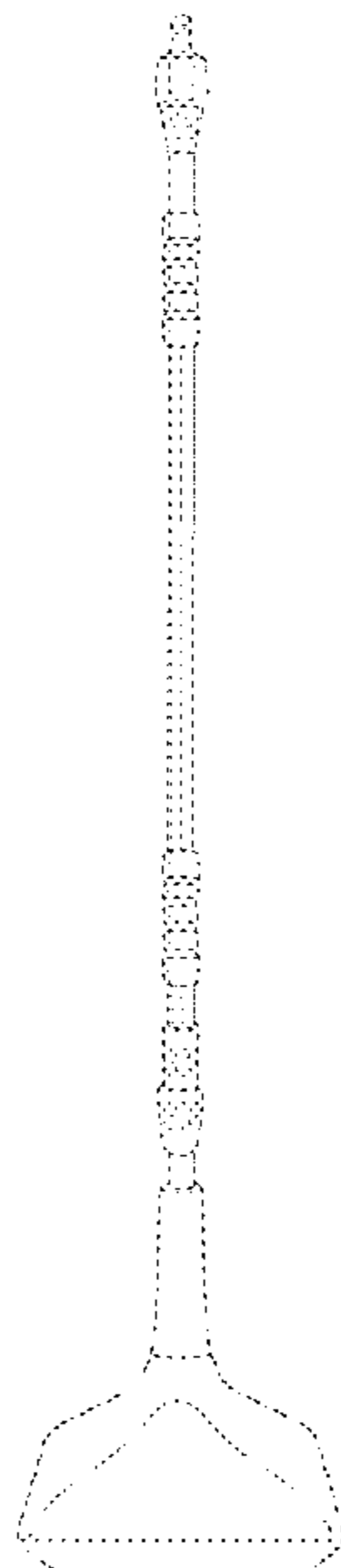
1.3 : Left

1.4 : Right

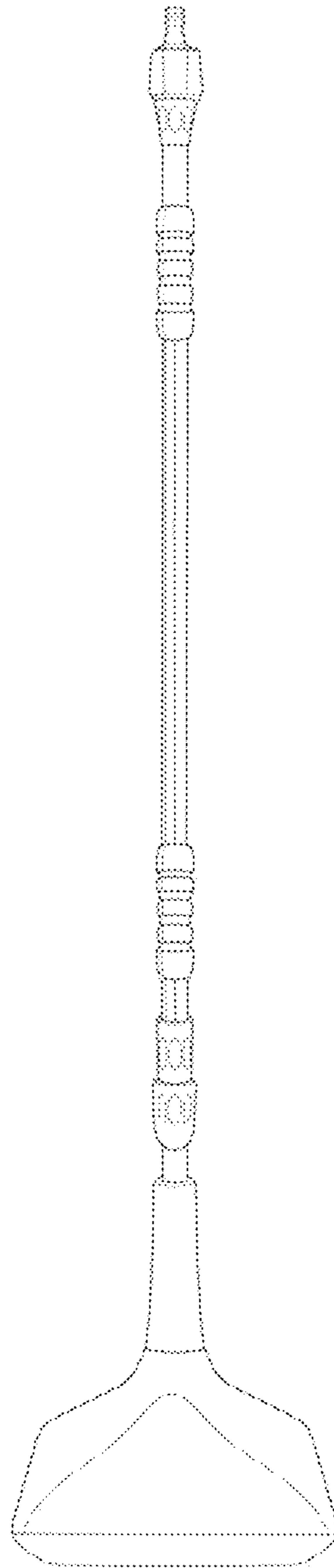
1.5 : Bottom

The design is a cleaning implement with a sponge mop and foam protection surrounding the bottom of the pole; protection is sought for the sponge mop and foam protected part of the pole; protection is not sought for the rest of the pole which is not foam protected.

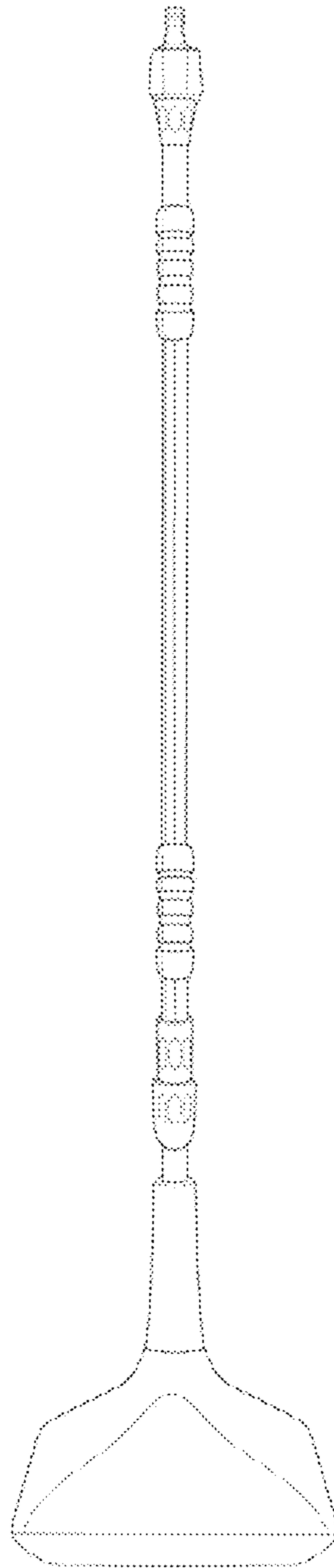
1 Claim, 5 Drawing Sheets



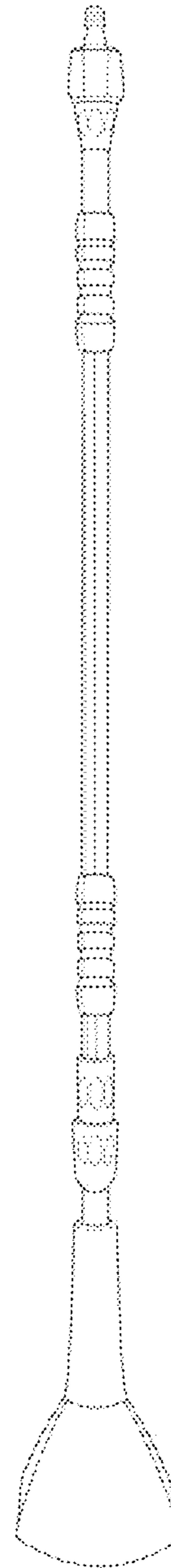
1.1



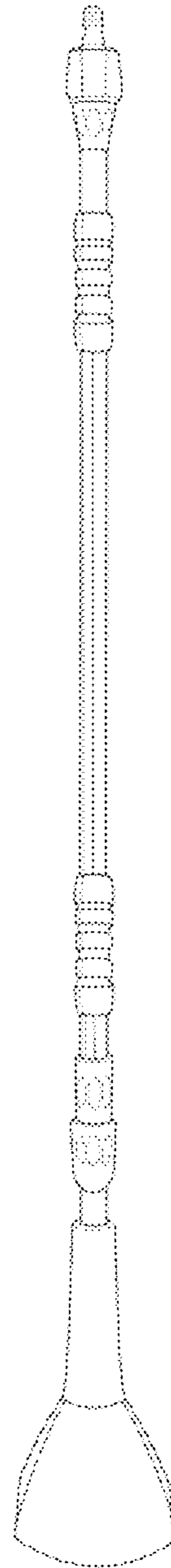
1.2



1.3



1.4



1.5

