



US00D915017S

(12) **United States Design Patent**  
**Wang**

(10) **Patent No.:** **US D915,017 S**

(45) **Date of Patent:** **\*\* \*Mar. 30, 2021**

- (54) **HANGING CLOTHES PIN MESH BAG**
- (71) Applicant: **XIAMEN XINGHENGXING IMPORT & EXPORT CO., LTD.,**  
Xiamen (CN)
- (72) Inventor: **Jiben Wang,** Xiamen (CN)
- (73) Assignee: **XIAMEN XINGHENGXING IMPORT & EXPORT CO., LTD.,**  
Xiamen (CN)
- (\*) Notice: This patent is subject to a terminal disclaimer.
- (\*\*) Term: **15 Years**
- (21) Appl. No.: **29/709,599**
- (22) Filed: **Oct. 16, 2019**
- (51) **LOC (13) Cl.** ..... **07-05**
- (52) **U.S. Cl.**  
USPC ..... **D32/36**
- (58) **Field of Classification Search**  
USPC ..... D32/35, 36; D3/39, 40, 41, 42, 48, 74,  
D3/79; D6/513  
CPC ..... D06F 53/005; B65B 67/12  
See application file for complete search history.

- (56) **References Cited**  
U.S. PATENT DOCUMENTS
- 1,402,355 A \* 1/1922 Henderson ..... D06F 53/005  
383/12
- 1,427,219 A \* 8/1922 Mabon ..... D06F 53/005  
383/23
- 1,461,802 A \* 7/1923 McRoberts ..... B65B 67/12  
248/99
- 1,683,032 A \* 9/1928 Hatcher ..... D06F 53/005  
248/95

- 1,715,994 A \* 6/1929 Cunningham ..... D06F 53/005  
383/12
- 1,749,992 A \* 3/1930 Willis ..... D06F 53/005  
383/23
- 1,751,229 A \* 3/1930 Bigelow ..... D06F 53/005  
383/23
- 2,160,658 A \* 5/1939 Hedquist ..... D06F 53/005  
248/99
- 2,430,763 A \* 11/1947 Foster ..... D06F 53/005  
383/22
- D179,064 S \* 10/1956 Cohen ..... D32/36
- D195,786 S \* 7/1963 Foster ..... D32/36
- D215,343 S \* 9/1969 Christie ..... D32/36
- 3,630,251 A \* 12/1971 Ross ..... D06F 53/005  
220/751
- D348,754 S \* 7/1994 Feller ..... D3/303
- D386,848 S \* 11/1997 Allain ..... D32/36
- D391,707 S \* 3/1998 Tremblay ..... D32/36
- D528,298 S 9/2006 Vernon
- D641,120 S 7/2011 Montanaro, Jr.

\* cited by examiner

Primary Examiner — Michelle E. Wilson

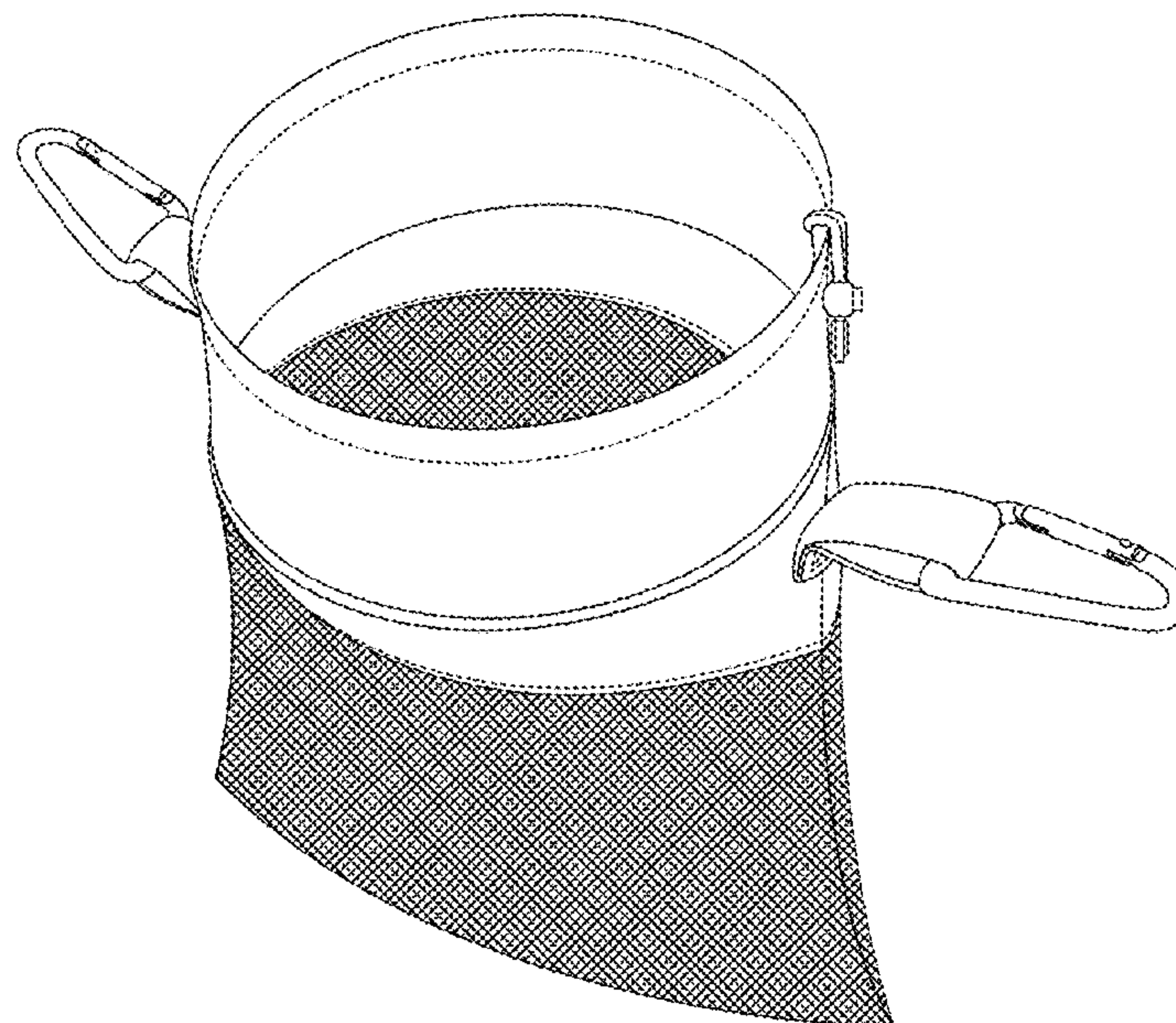
(57) **CLAIM**

The ornamental design hanging clothes pin mesh bag, as shown and described.

**DESCRIPTION**

FIG. 1 is a front perspective view of a hanging clothes pin mesh bag showing my new design;  
 FIG. 2 is a front view thereof;  
 FIG. 3 is a back view thereof;  
 FIG. 4 is a left view thereof;  
 FIG. 5 is a right view thereof;  
 FIG. 6 is a top side view thereof; and,  
 FIG. 7 is a button side view thereof.  
 The broken line shown on the hanging clothes pin mesh bag are included for the purpose of illustrating stitching and forms part of the claimed design.

**1 Claim, 7 Drawing Sheets**



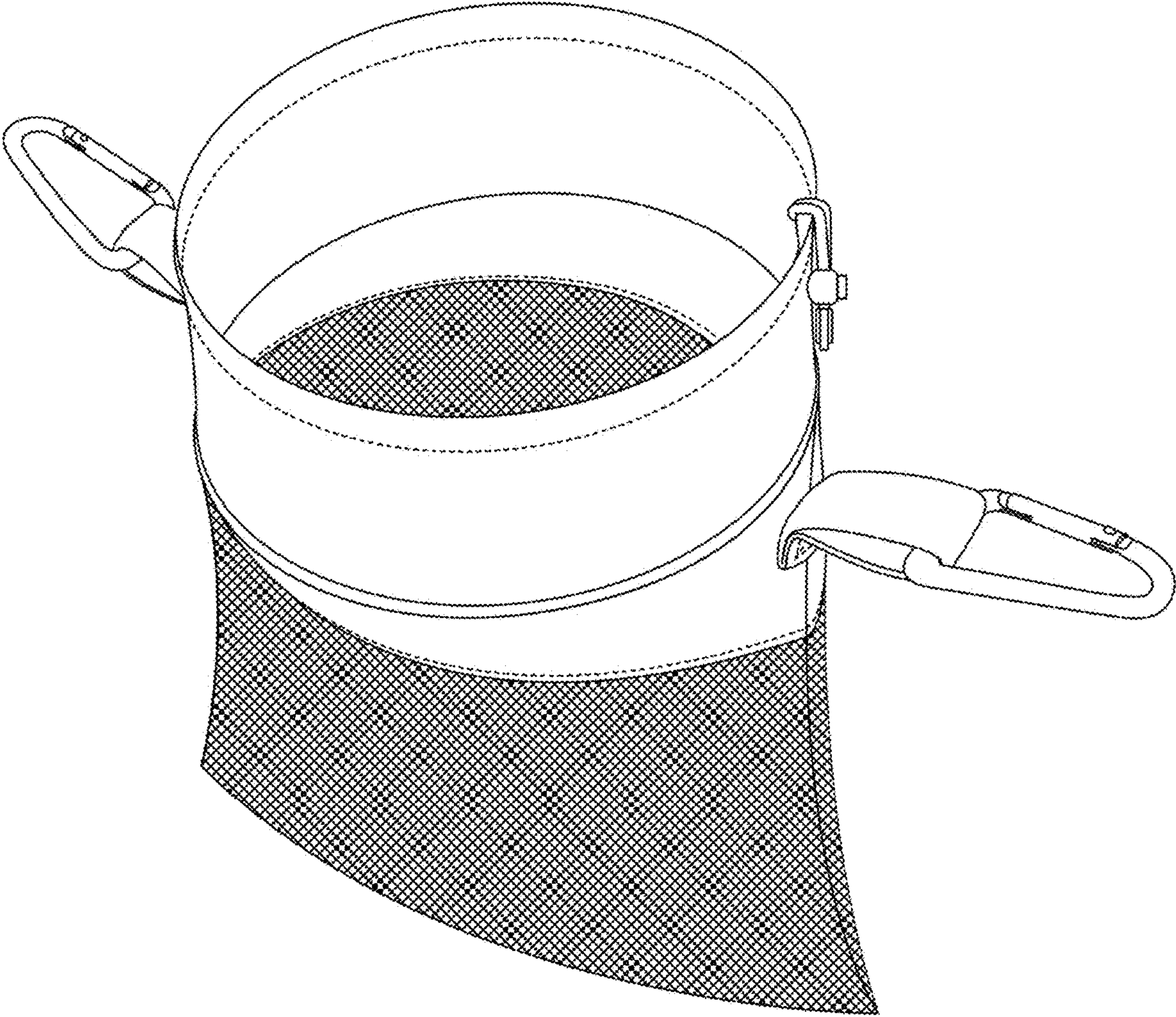


FIG. 1



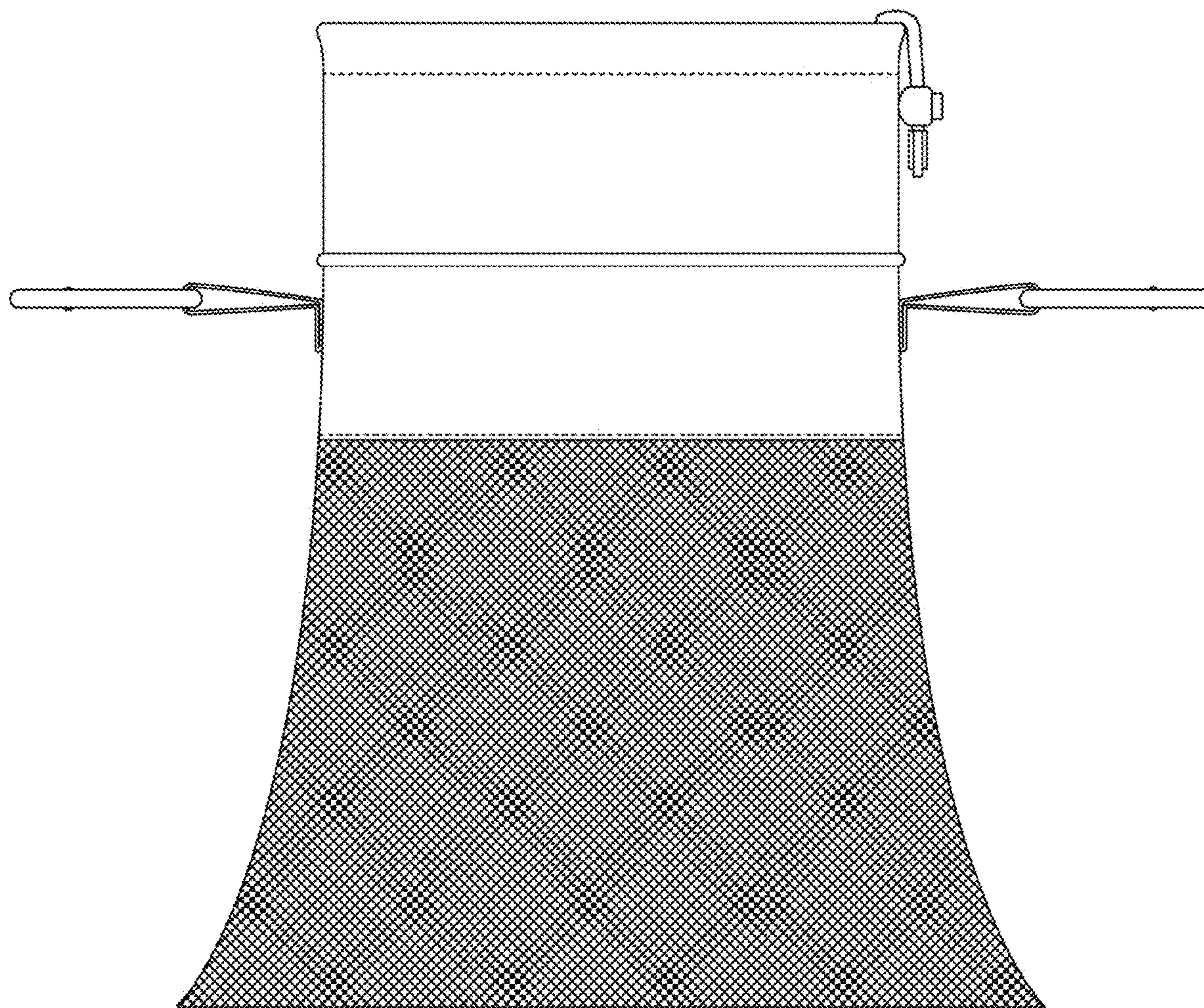


FIG. 2



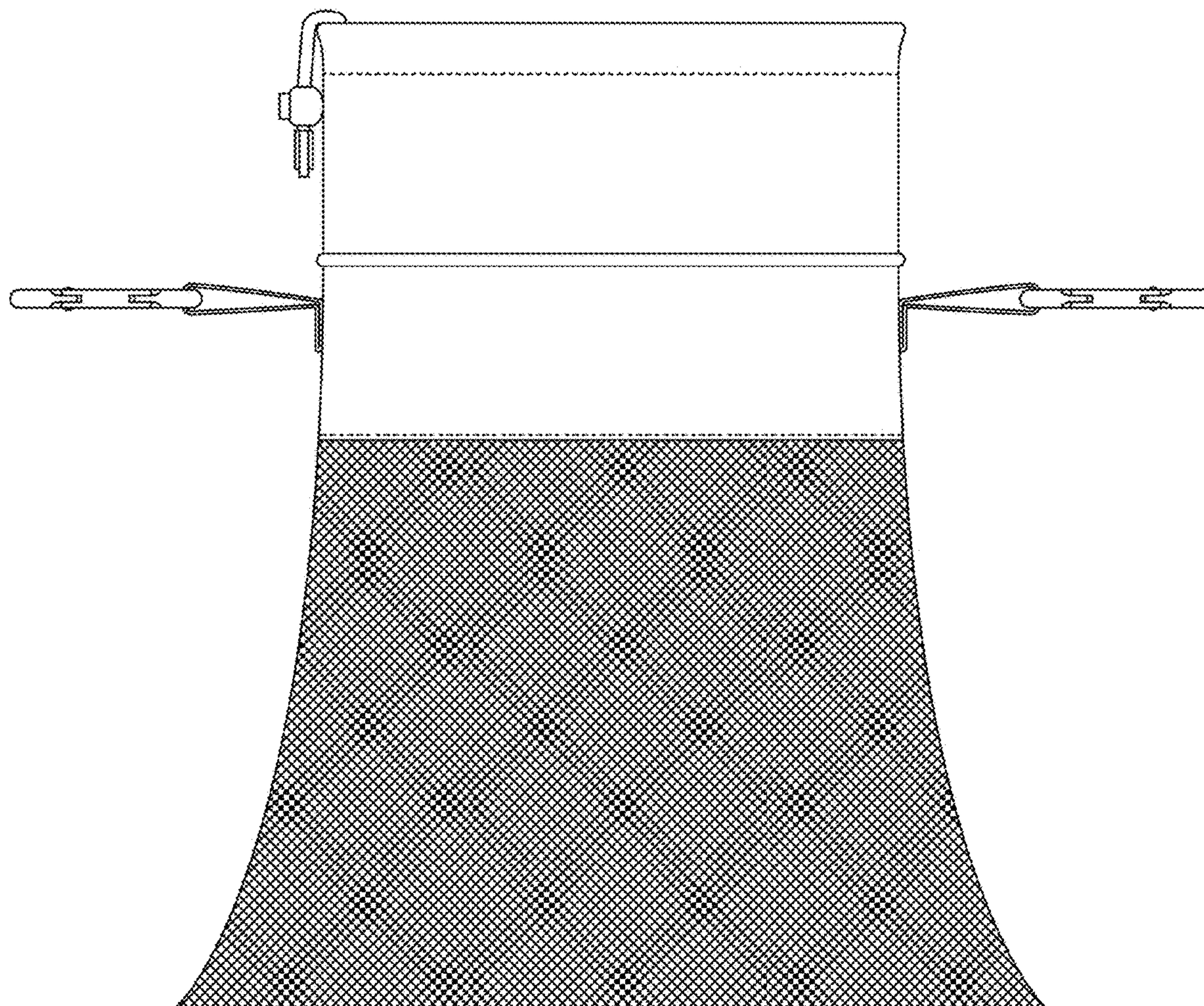


FIG. 3

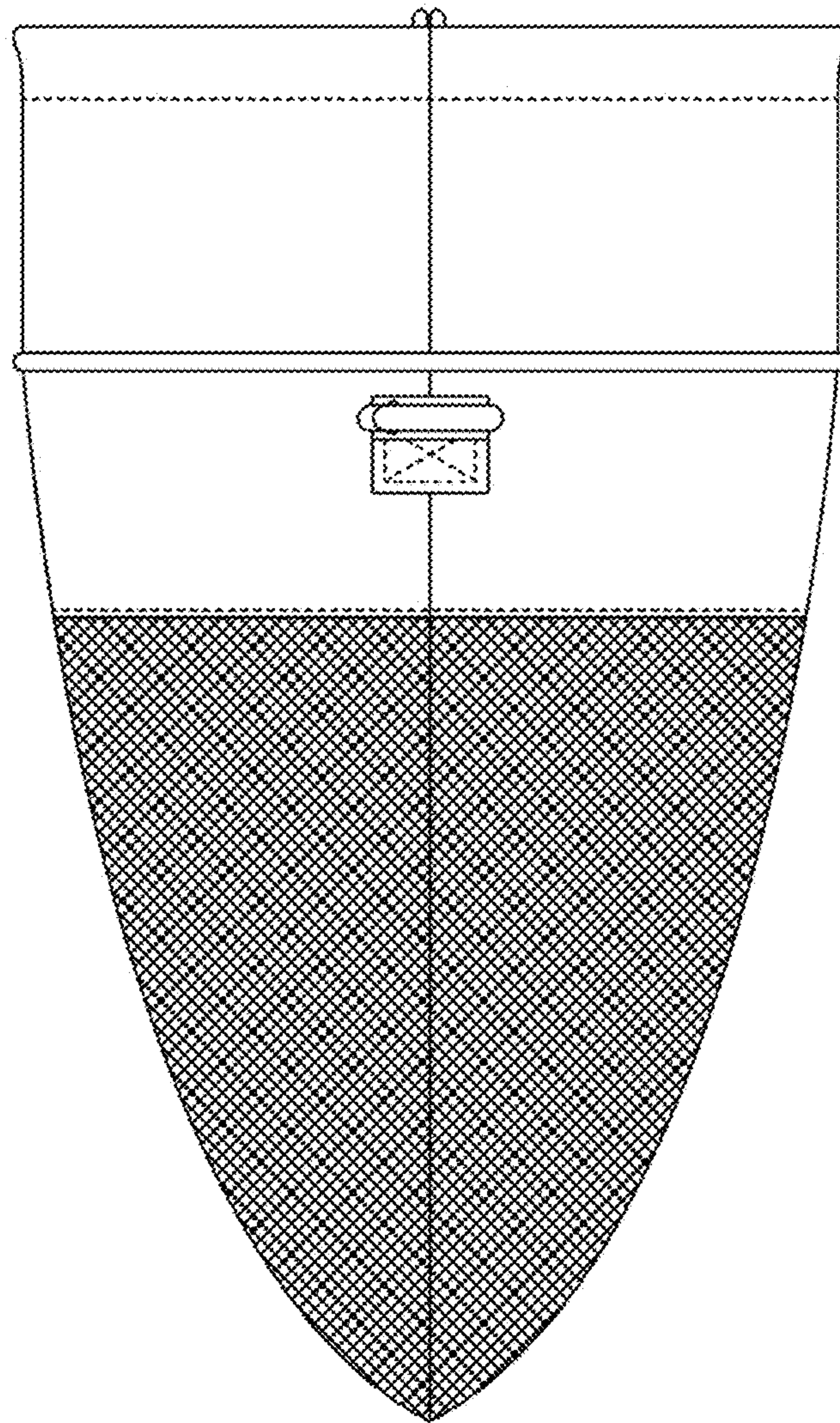


FIG. 4



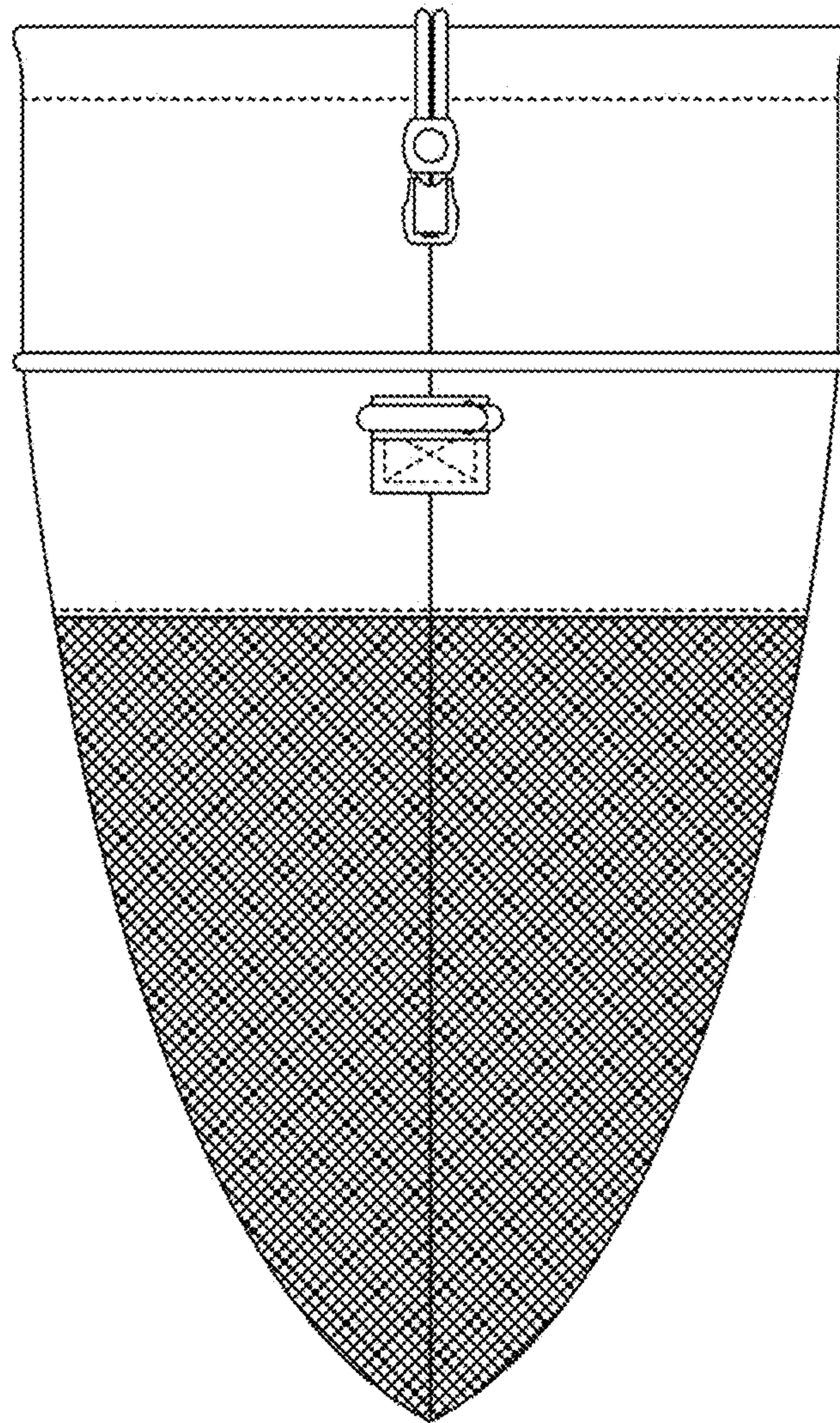


FIG. 5

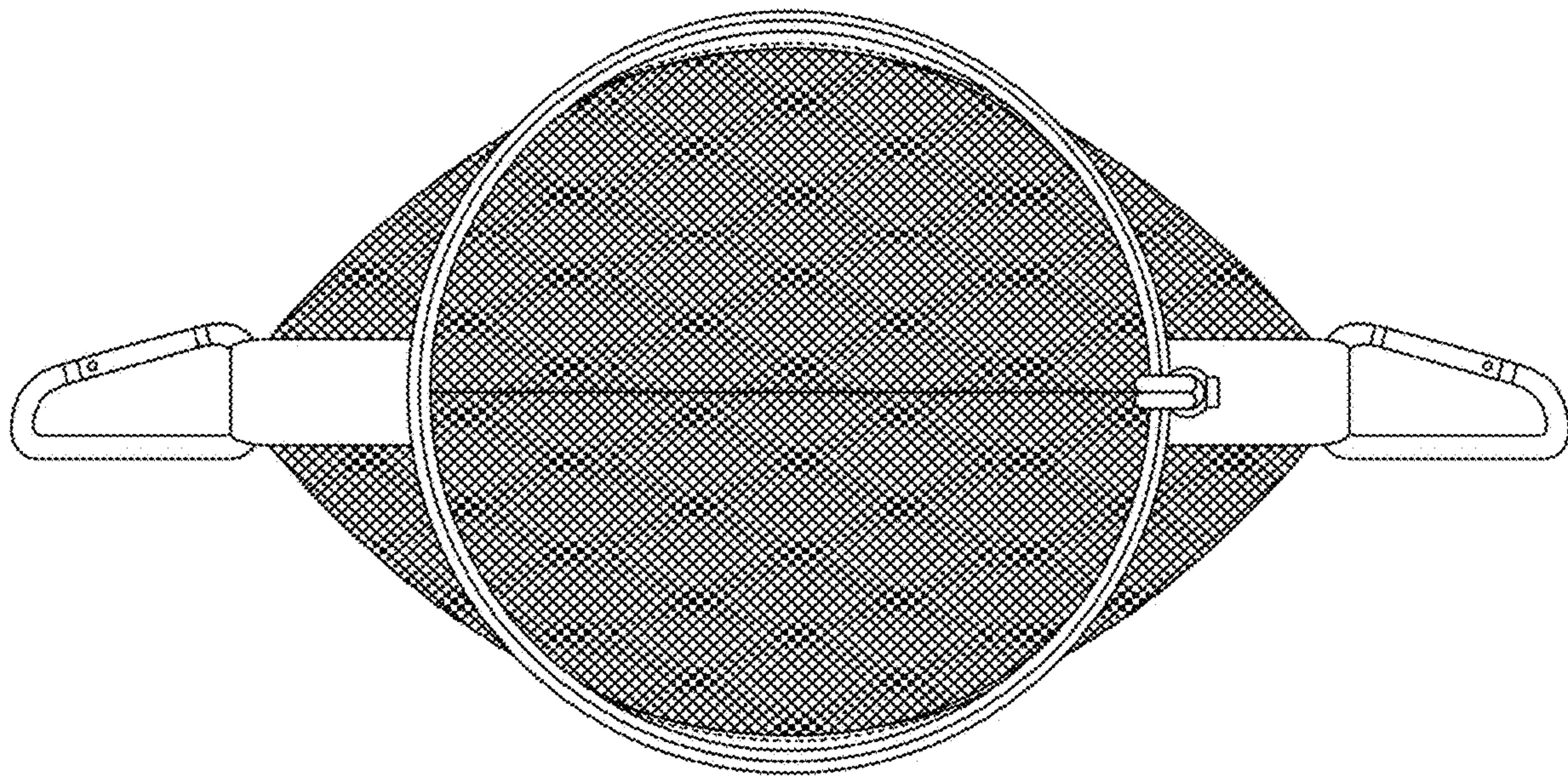


FIG. 6



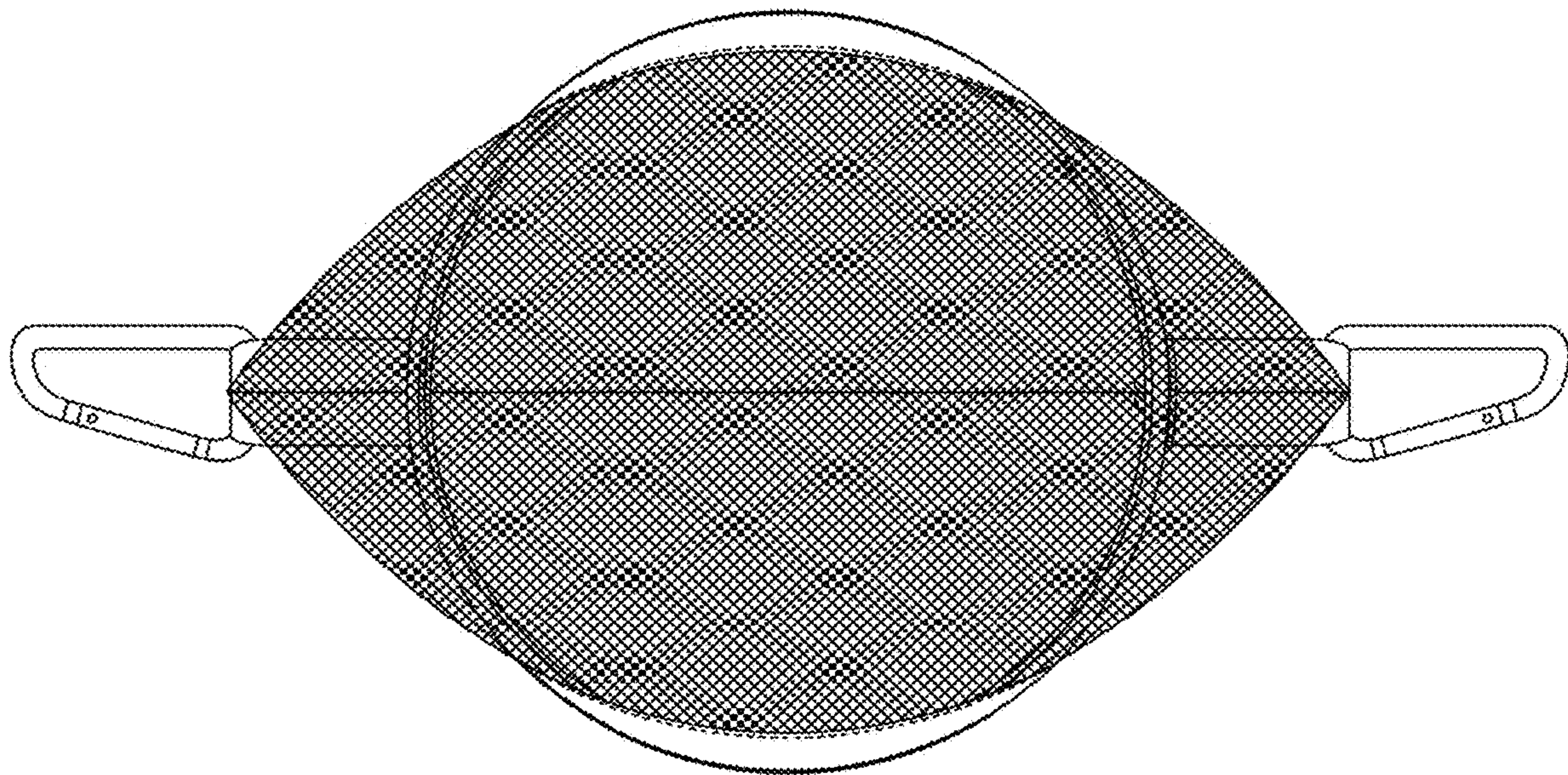


FIG. 7