



US00D915016S

(12) **United States Design Patent**
Zhou

(10) **Patent No.:** **US D915,016 S**
(45) **Date of Patent:** **** Mar. 30, 2021**

(54) **SET OF VACUUM CLEANER ACCESSORIES**

(71) Applicant: **Dehua Zhou**, Wenchang (CN)

(72) Inventor: **Dehua Zhou**, Wenchang (CN)

(**) Term: **15 Years**

(21) Appl. No.: **29/692,536**

(22) Filed: **May 27, 2019**

(51) **LOC (13) Cl.** **15-05**

(52) **U.S. Cl.**
USPC **D32/32**

(58) **Field of Classification Search**
USPC D32/31, 32, 33, 35, 42, 45; D28/54.1
CPC A47L 9/0009; A47L 9/02; A47L 9/244;
A47L 9/248; A47L 5/36; A47L 9/068;
A47L 7/04; A47L 9/06; A46B 15/00
See application file for complete search history.

(56) **References Cited**

U.S. PATENT DOCUMENTS

- 2,679,068 A * 5/1954 Wied A47L 9/06
15/374
- 4,341,540 A * 7/1982 Howerin A47L 7/0014
15/353
- 5,184,371 A * 2/1993 Rands A47L 9/02
15/325
- 5,462,311 A * 10/1995 Cipolla A47L 9/244
285/24
- 5,836,620 A * 11/1998 Wang F16L 27/1273
285/7
- 6,070,288 A * 6/2000 Luyckx A47L 9/0009
15/323
- D652,188 S * 1/2012 Escobar D32/32
- D668,410 S * 10/2012 Khubani D32/31
- D681,894 S * 5/2013 Wu D32/31
- D712,664 S * 9/2014 Dias A46B 15/00
D4/135
- D829,994 S * 10/2018 Liu D28/54.1
- D877,436 S * 3/2020 Ashton-Miller D32/45
- D895,916 S * 9/2020 Exley D32/33

- 2002/0178696 A1* 12/2002 Korff A47L 9/248
55/337
- 2007/0209154 A1* 9/2007 Griffith A47L 7/04
15/415.1
- 2010/0170060 A1* 7/2010 Eccardt A47L 5/36
15/415.1
- 2010/0306960 A1* 12/2010 Jonsson A47L 9/244
15/414
- 2012/0054979 A1* 3/2012 Dant A47L 9/068
15/347

OTHER PUBLICATIONS

<https://www.homedepot.com/p/Think-Crucial-32-mm-Mini-Micro-Tool-Attachment-Set-Fits-All-Vacuum-Cleaners-Including-Hoover-Eureka-Kenmore-and-Bissell-32MM-Mini-Micro-Tool/305847838>
(Year: 2020).*

(Continued)

Primary Examiner — Michelle E. Wilson
Assistant Examiner — Richard E Yenchesky

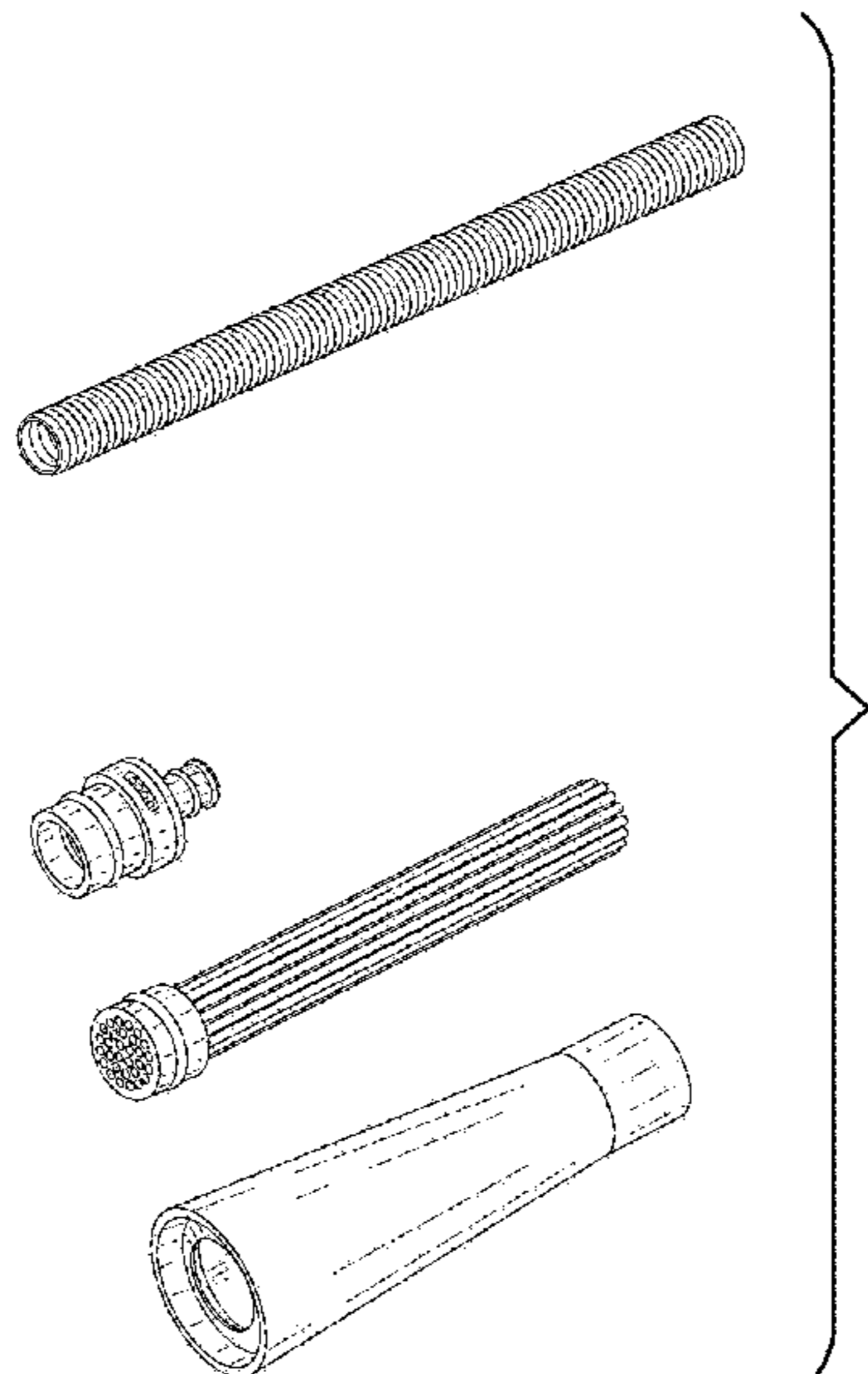
(57) **CLAIM**

The ornamental design for a set of vacuum cleaner accessories, as shown and described.

DESCRIPTION

FIG. 1 is a front and bottom perspective view of a set of vacuum cleaner accessories showing my new design; FIG. 2 is a top perspective view thereof; FIG. 3 is a front elevation view thereof; FIG. 4 is a rear elevation view thereof; FIG. 5 is a left side elevation view thereof; FIG. 6 is a right side elevation view thereof; FIG. 7 is a top plan view thereof, shown enlarged in scale; FIG. 8 is a bottom plan view thereof, shown enlarged in scale; FIG. 9 is the first use state diagram; and, FIG. 10 is the second use state diagram.

1 Claim, 10 Drawing Sheets



(56)

References Cited

OTHER PUBLICATIONS

<https://www.lowes.com/pd/Shop-Vac-8-ft-x-1-5-in-Hose/1001267422> (Year: 2020).*

<https://www.amazon.com/CRAFTSMAN-38634-2-inch-Blower-Attachment/dp/B07M6RHB82> (Year: 2020).*

<https://www.amazon.com/Huiaway-Universal-Attachments-Accessories-Household/dp/B07PWQ719N> (Year: 2020).*

* cited by examiner

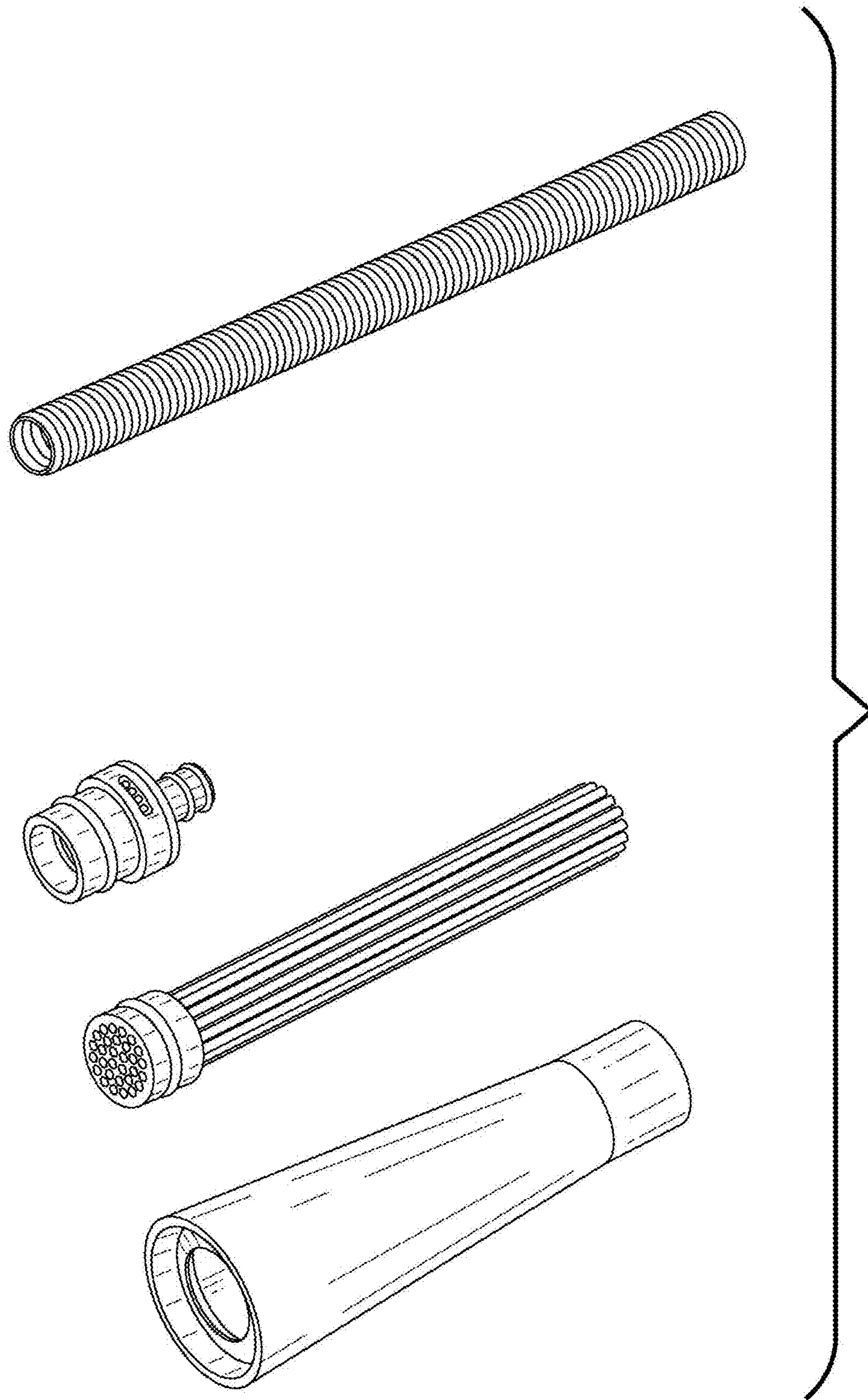


FIG.1

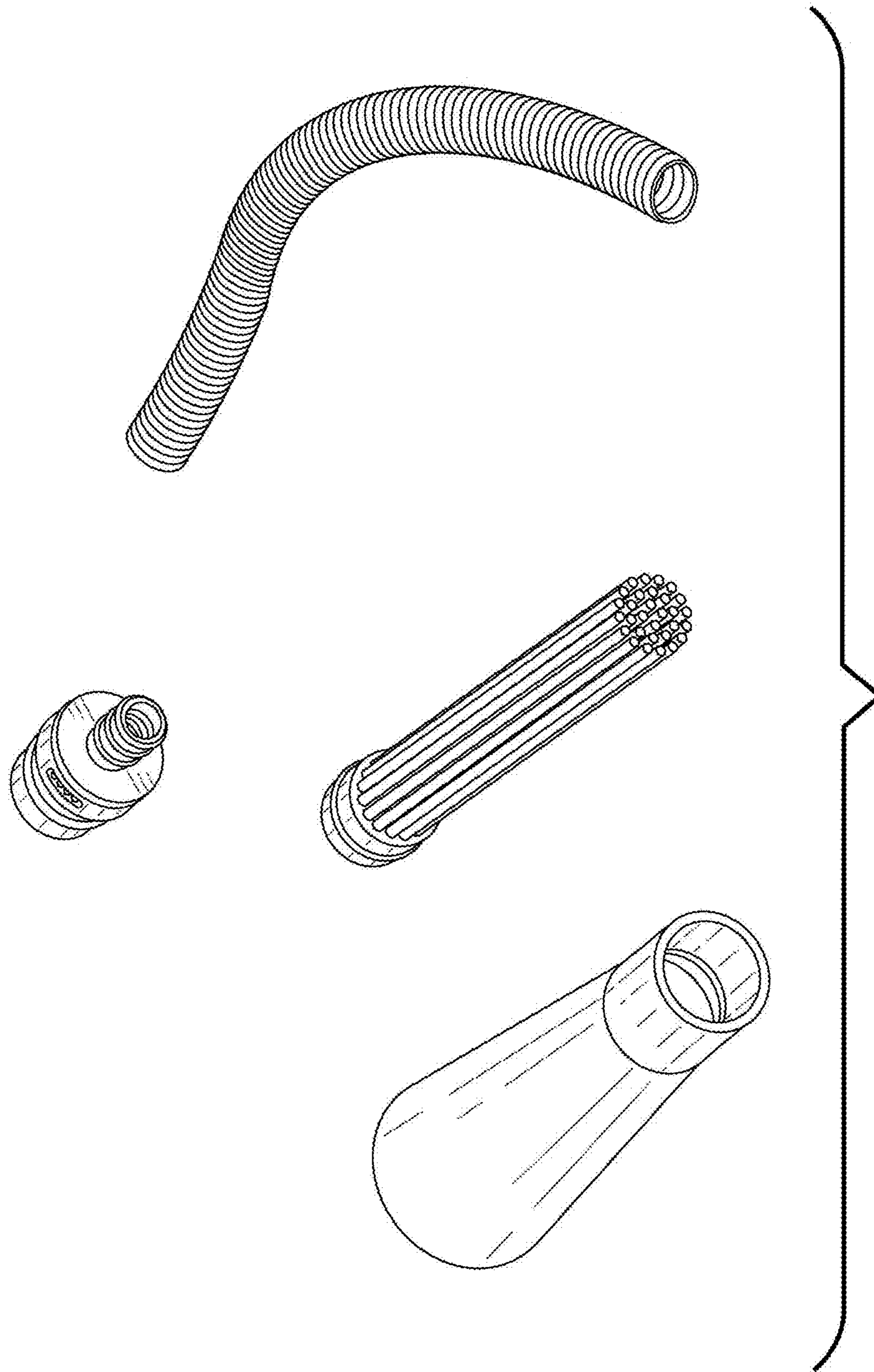


FIG.2

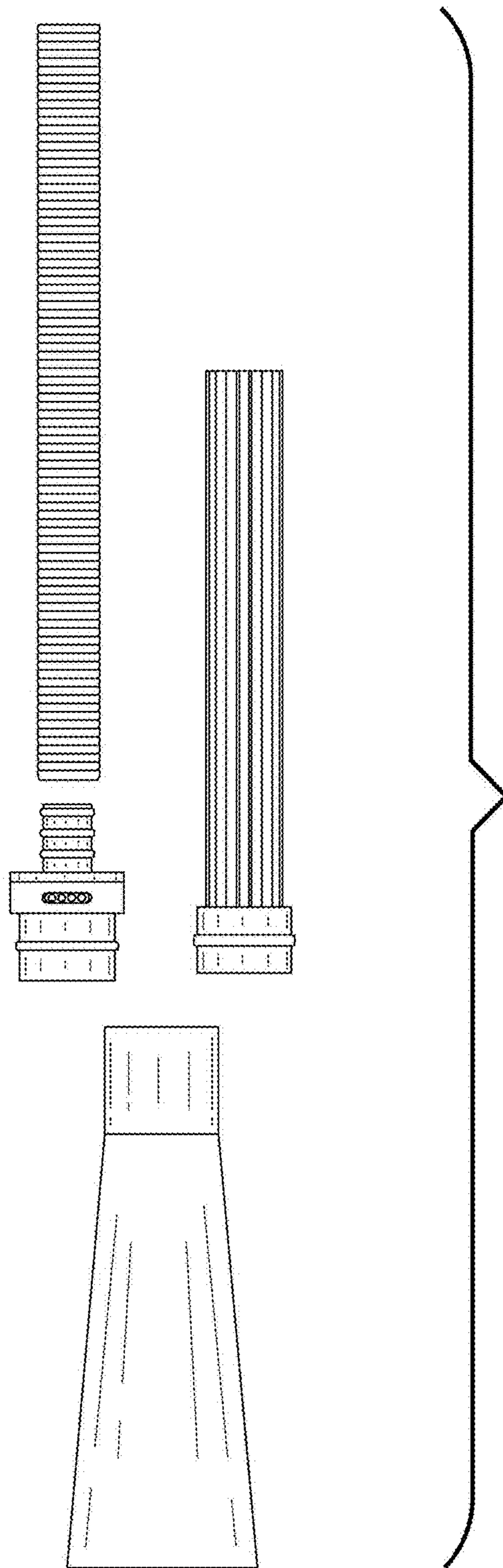


FIG.3

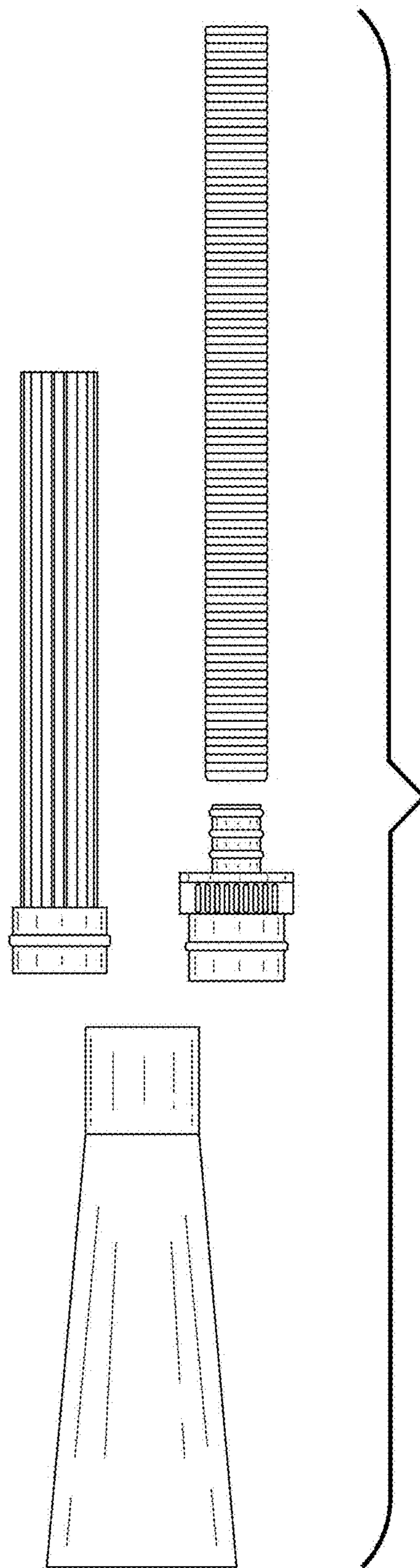


FIG.4

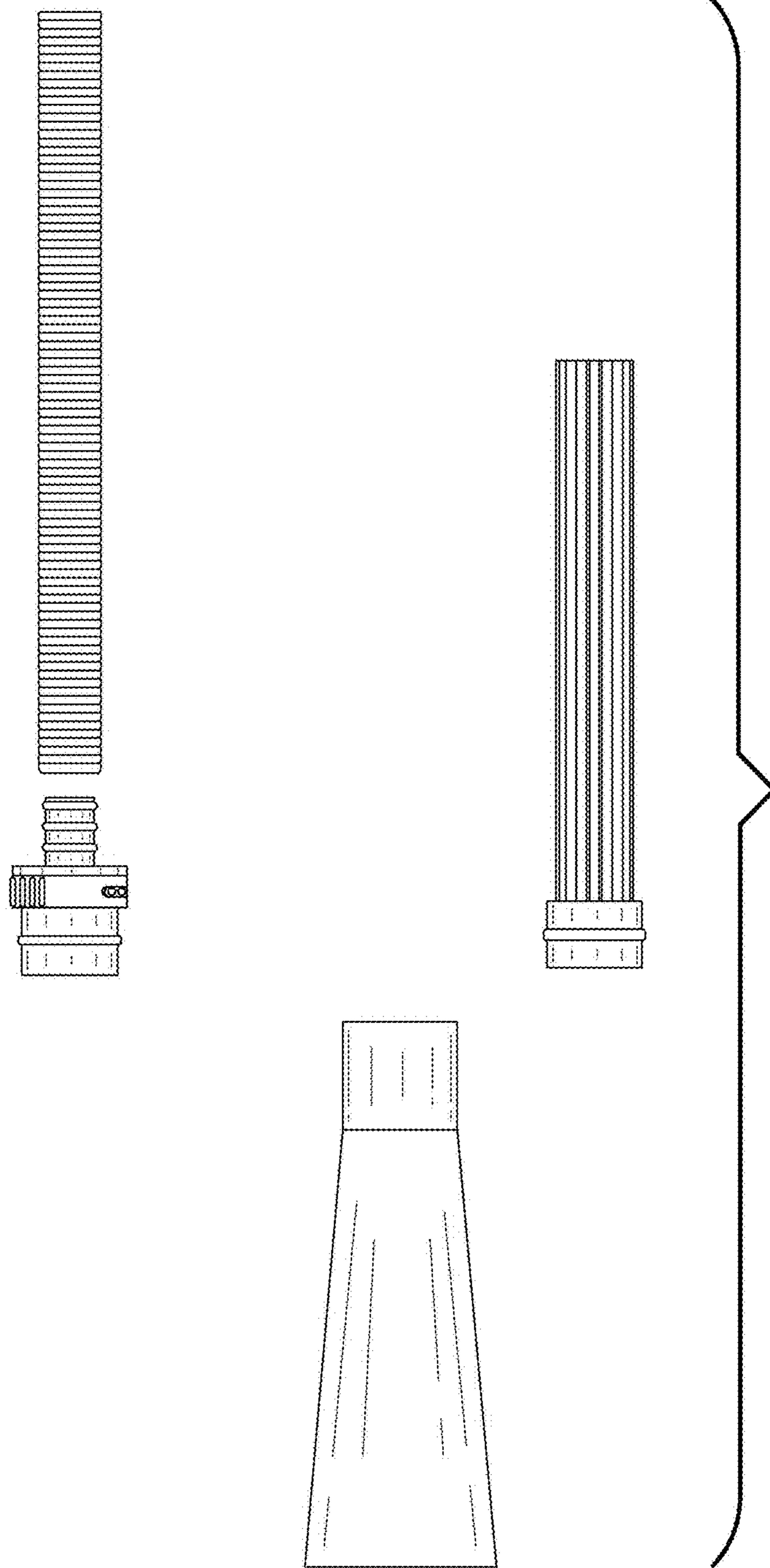


FIG. 5

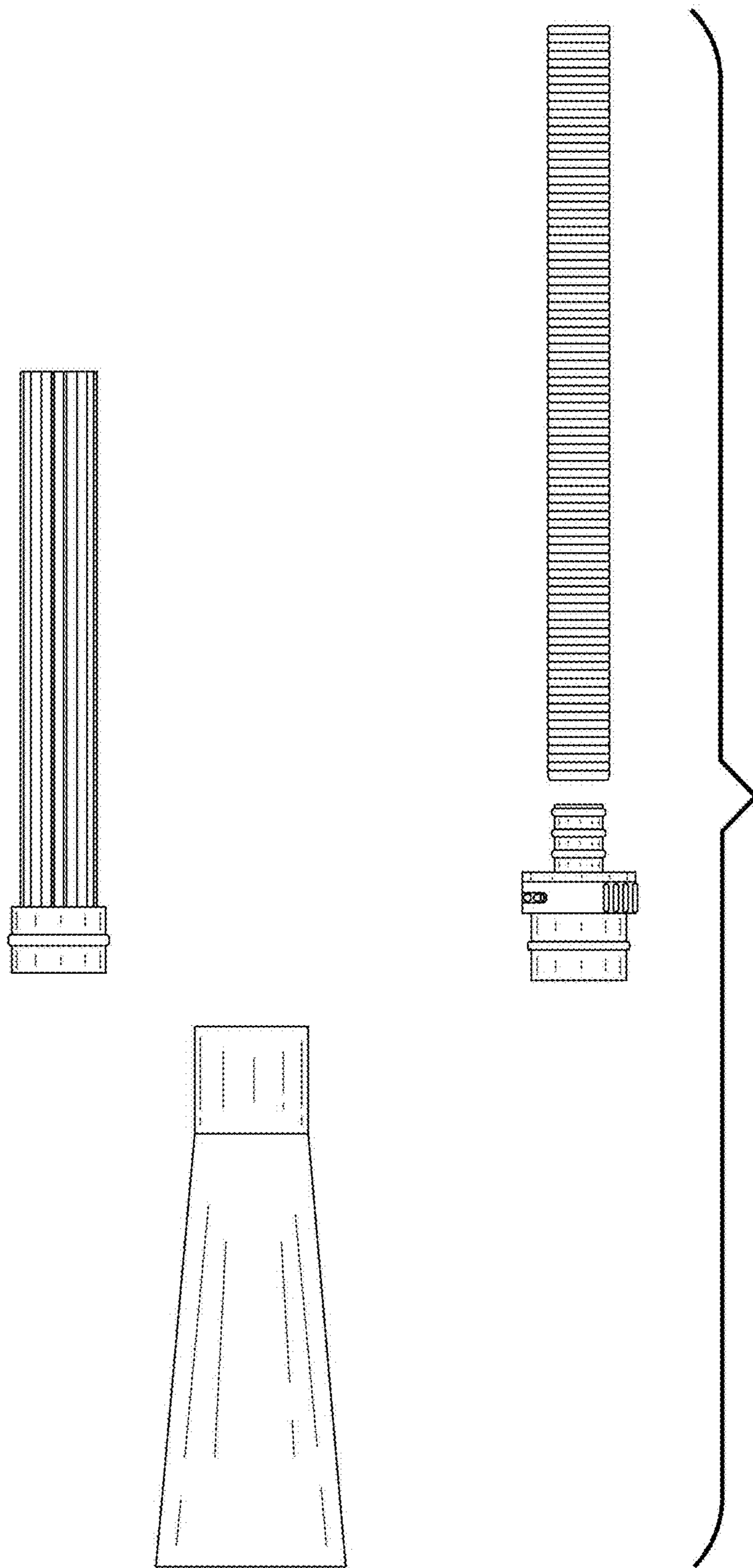


FIG. 6

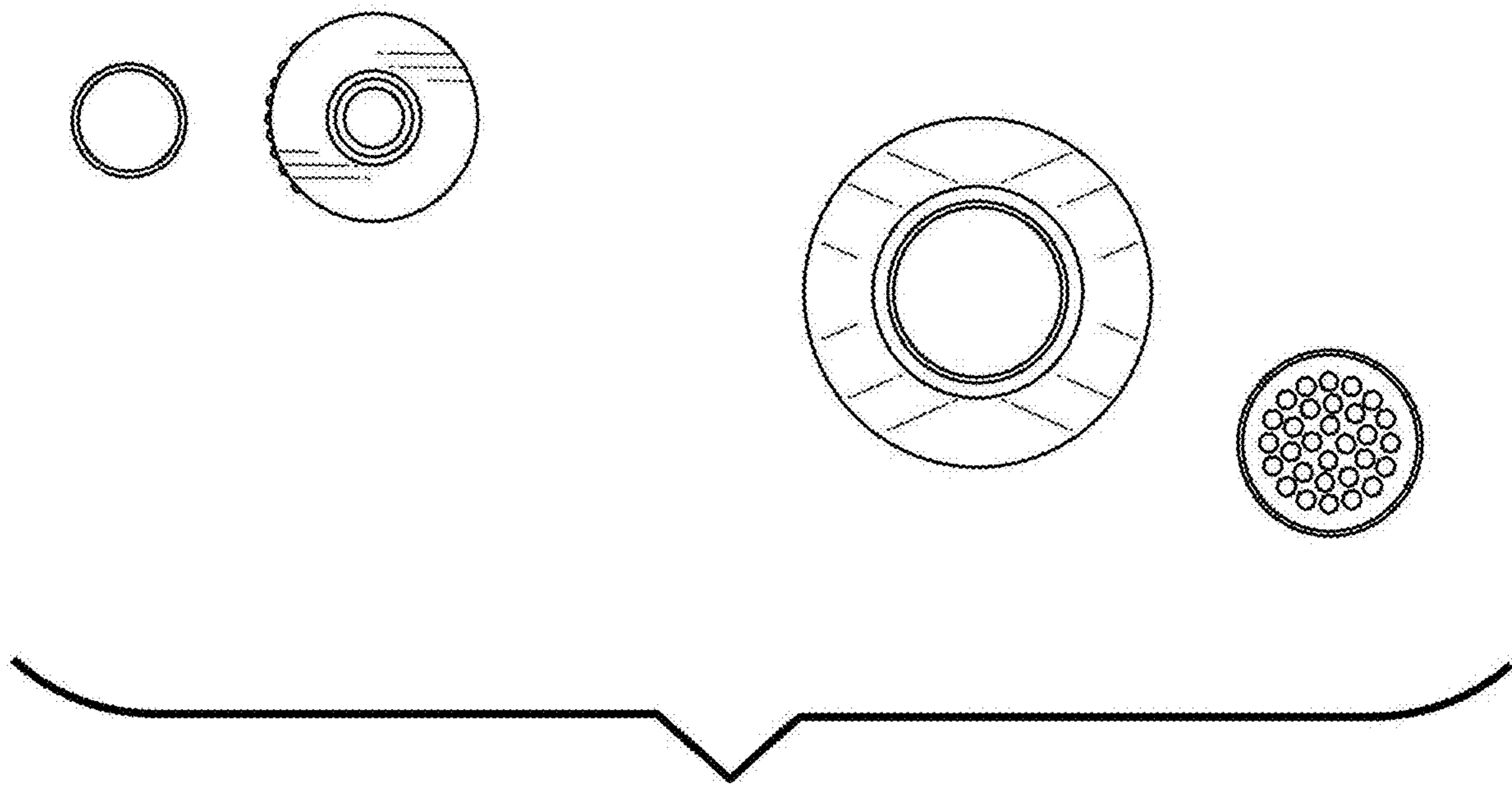


FIG. 7

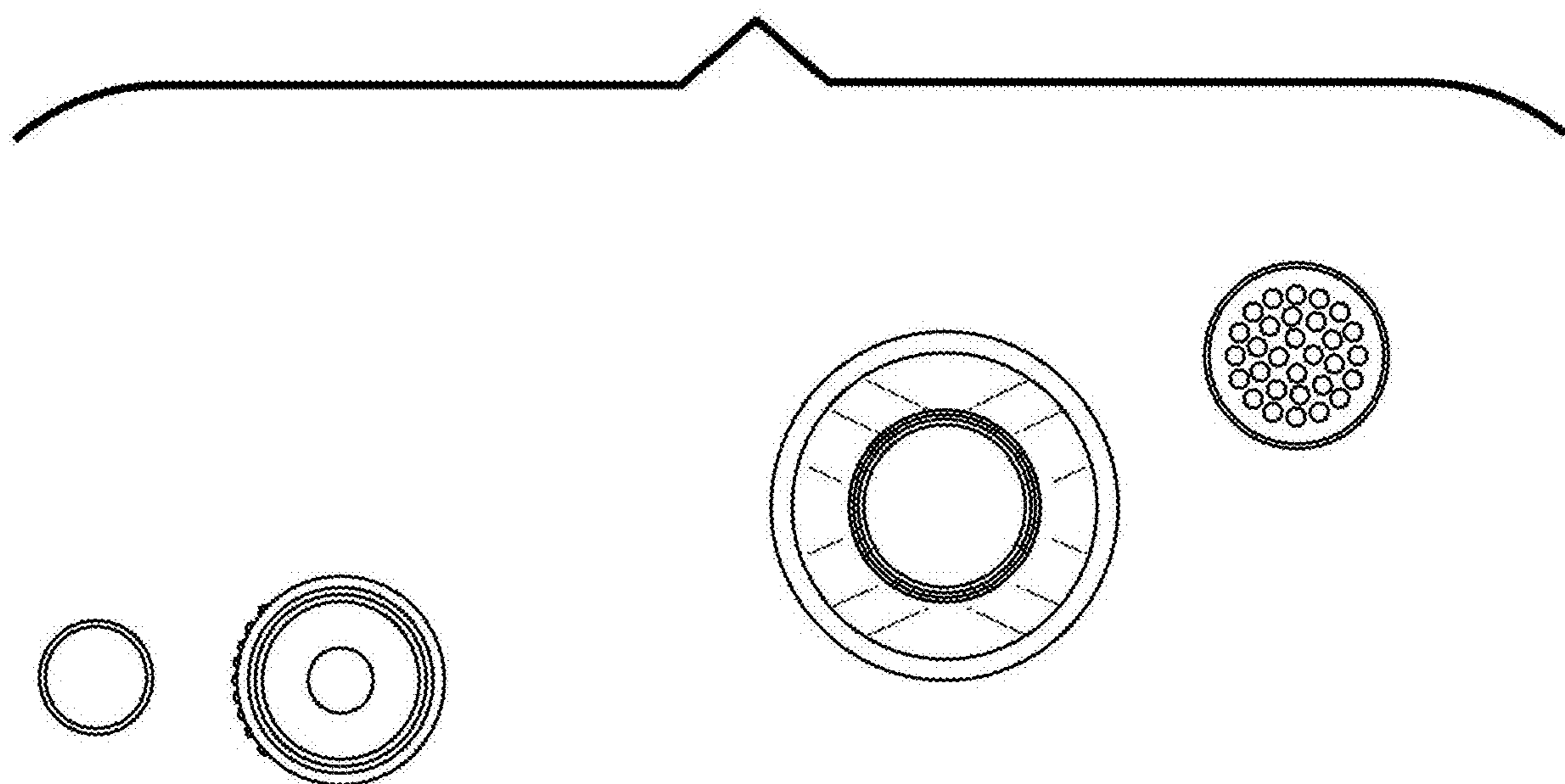


FIG. 8

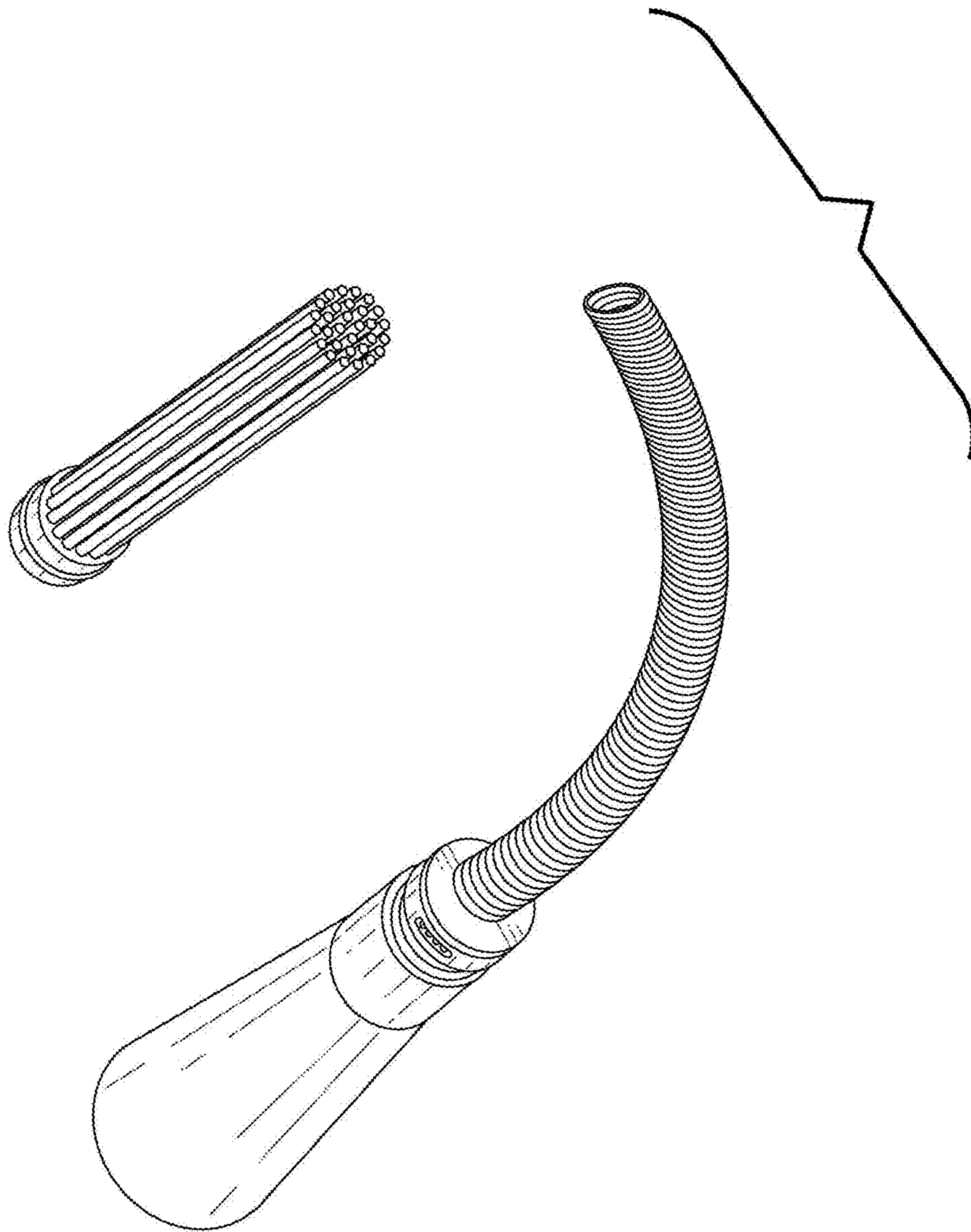


FIG. 9

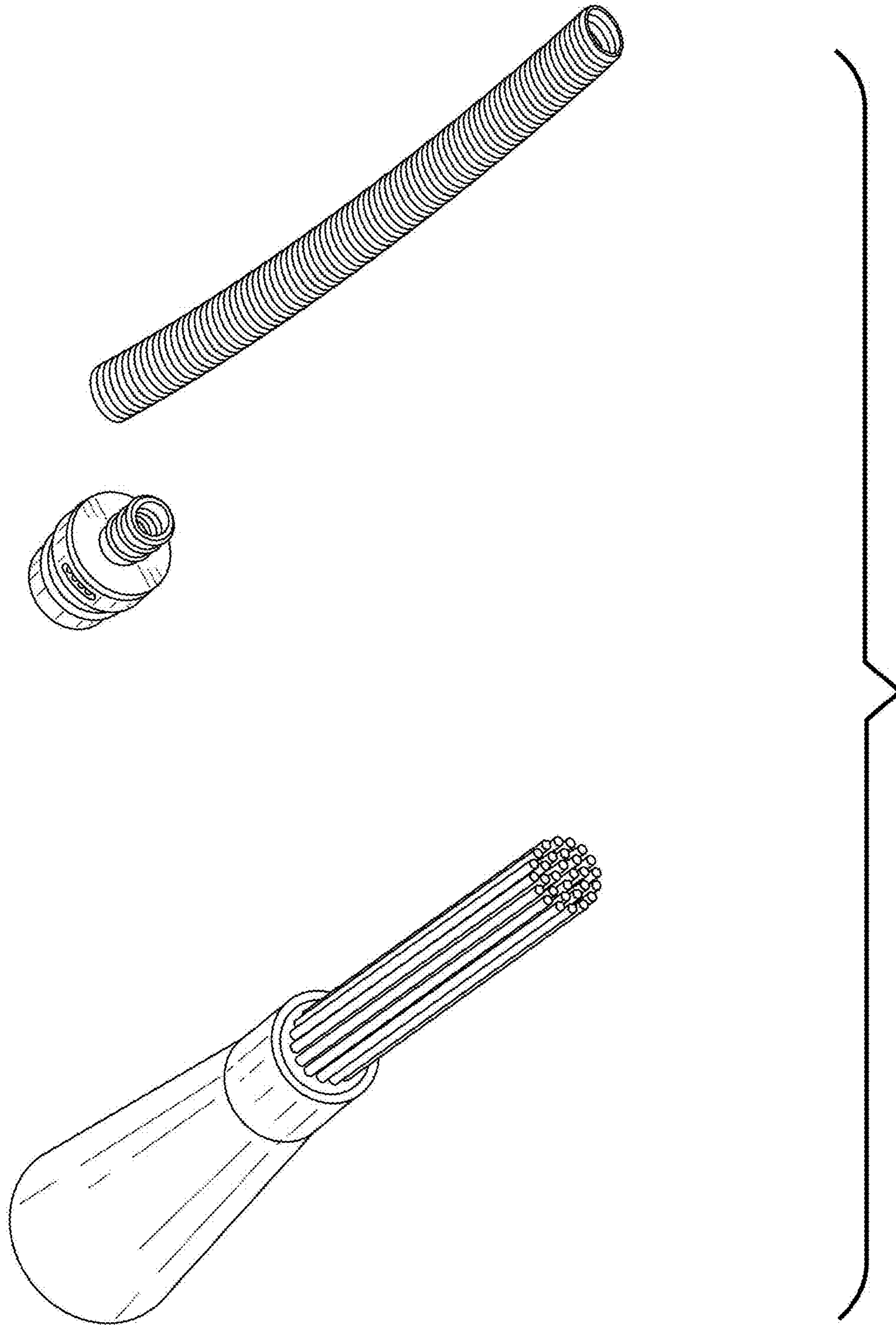


FIG. 10