



US00D915015S

(12) **United States Design Patent**  
**Tan et al.**

(10) **Patent No.:** **US D915,015 S**

(45) **Date of Patent:** **\*\* Mar. 30, 2021**

(54) **DISINFECTION ROBOT**

(71) Applicant: **Hunan Grand-Pro Robot Tech Co., Ltd.**, Chenzhou (CN)

(72) Inventors: **Taiyong Tan**, Hunan (CN); **Yulan Cai**, Hunan (CN); **Shengxiang Cai**, Hunan (CN)

(73) Assignee: **Hunan Grand-Pro Robot Tech Co., Ltd.**, Chenzhou (CN)

(\*\*) Term: **15 Years**

(21) Appl. No.: **29/728,207**

(22) Filed: **Mar. 17, 2020**

(51) **LOC (13) Cl.** ..... **15-05**

(52) **U.S. Cl.**  
USPC ..... **D32/31**; D15/199

(58) **Field of Classification Search**  
USPC ..... D15/199; D32/21, 23-24, 31  
CPC ..... A47L 9/009; A47L 9/2805; A47L 9/2842;  
A47L 9/2852; A47L 2201/00; A47L 2201/04; E04H 4/1654; E04H 4/1663;  
E04H 4/1672; G05D 1/0225; G06N 3/008  
See application file for complete search history.

(56) **References Cited**

**U.S. PATENT DOCUMENTS**

D248,657 S *	7/1978	Parise .....	D32/21
D254,788 S *	4/1980	Nauta .....	D32/21
D270,390 S *	8/1983	Ayukawa .....	D32/21
D325,451 S *	4/1992	Pino .....	D32/21
5,146,647 A *	9/1992	Blase .....	A47L 11/34 15/321
D357,559 S *	4/1995	Parise .....	D32/21
D378,152 S *	2/1997	deBlois .....	D32/21
D383,573 S *	9/1997	Saunders .....	D32/21
D536,492 S *	2/2007	Rosenzweig .....	A47L 9/0036 D32/17

D548,411 S *	8/2007	Schroter .....	D32/21
D625,059 S *	10/2010	Morenstein .....	D32/21
D625,477 S *	10/2010	Morenstein .....	D32/21
D709,255 S *	7/2014	Wang .....	D32/21
D720,511 S *	12/2014	Shin .....	D32/21
D734,907 S *	7/2015	Dooley .....	D32/31
D737,006 S *	8/2015	Heck .....	D32/21
D743,647 S *	11/2015	Heck .....	D32/21
D751,777 S *	3/2016	Cheon .....	D32/21
D808,096 S *	1/2018	Yun .....	D32/21
D822,923 S *	7/2018	Casini .....	D32/21
D840,619 S *	2/2019	Kim .....	D32/21
D840,620 S *	2/2019	Kim .....	D32/21
D865,021 S *	10/2019	Hu .....	D15/199
D877,994 S *	3/2020	Kim .....	D32/21
D879,852 S *	3/2020	Chen .....	D15/199
D899,475 S *	10/2020	Xiao .....	D15/199
2012/0227210 A1 *	9/2012	Kim .....	A47L 9/08 15/347
2019/0059680 A1 *	2/2019	Fox .....	A47L 11/4005

\* cited by examiner

*Primary Examiner* — Patricia A Palasik

(74) *Attorney, Agent, or Firm* — Wayne & Ken, LLC

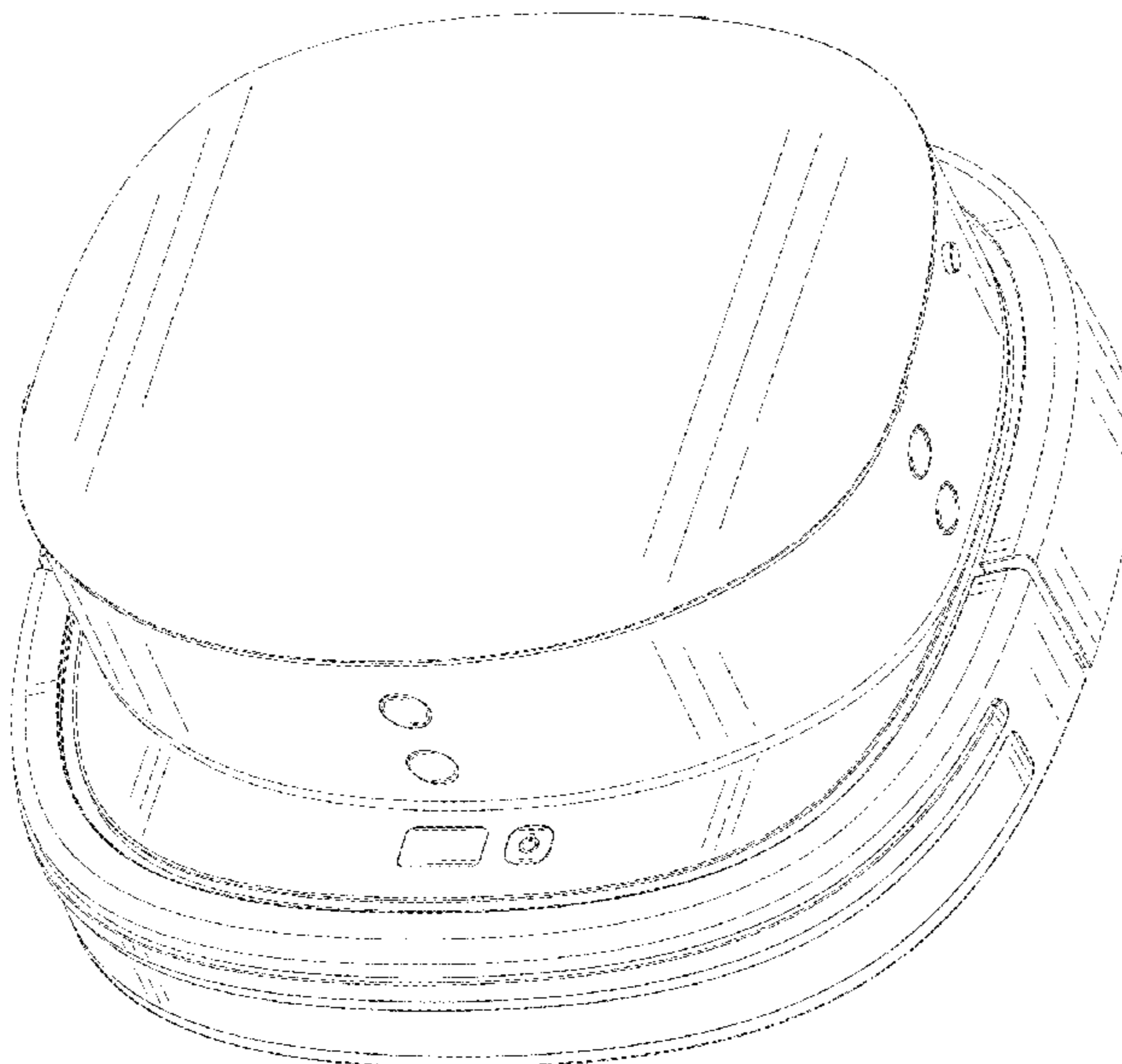
(57) **CLAIM**

The ornamental design for a disinfection robot, as shown and described.

**DESCRIPTION**

FIG. 1 is a perspective view of a disinfection robot showing my new design;  
FIG. 2 is another perspective view;  
FIG. 3 is a front elevation view thereof;  
FIG. 4 is a back elevation view thereof;  
FIG. 5 is a left side view thereof;  
FIG. 6 is a right side view thereof;  
FIG. 7 is a top plan view thereof; and,  
FIG. 8 is a bottom plan view thereof.  
The broken lines in the drawings illustrate portions of the disinfection robot and form no part of the claimed design.

**1 Claim, 8 Drawing Sheets**



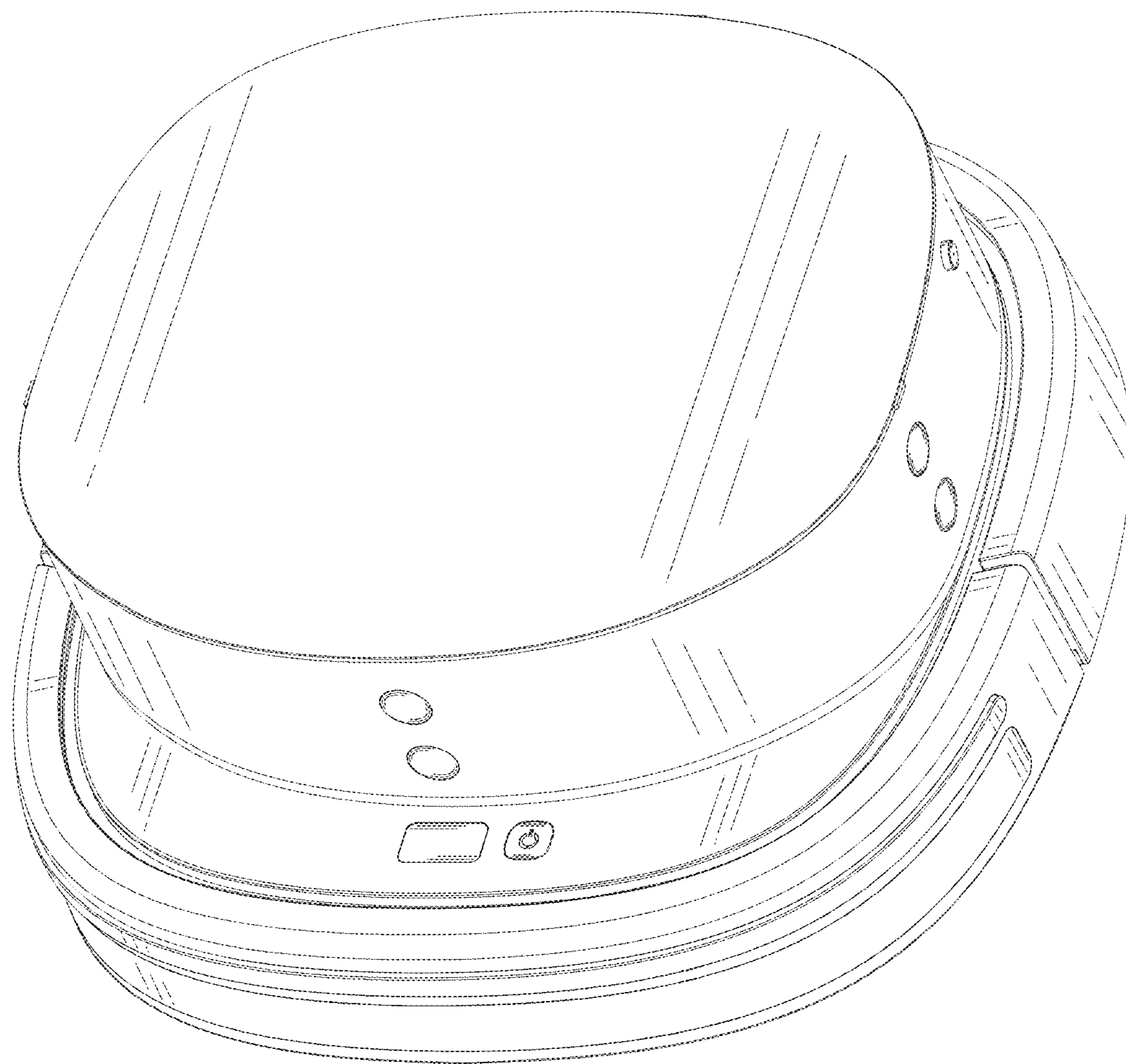


FIG. 1

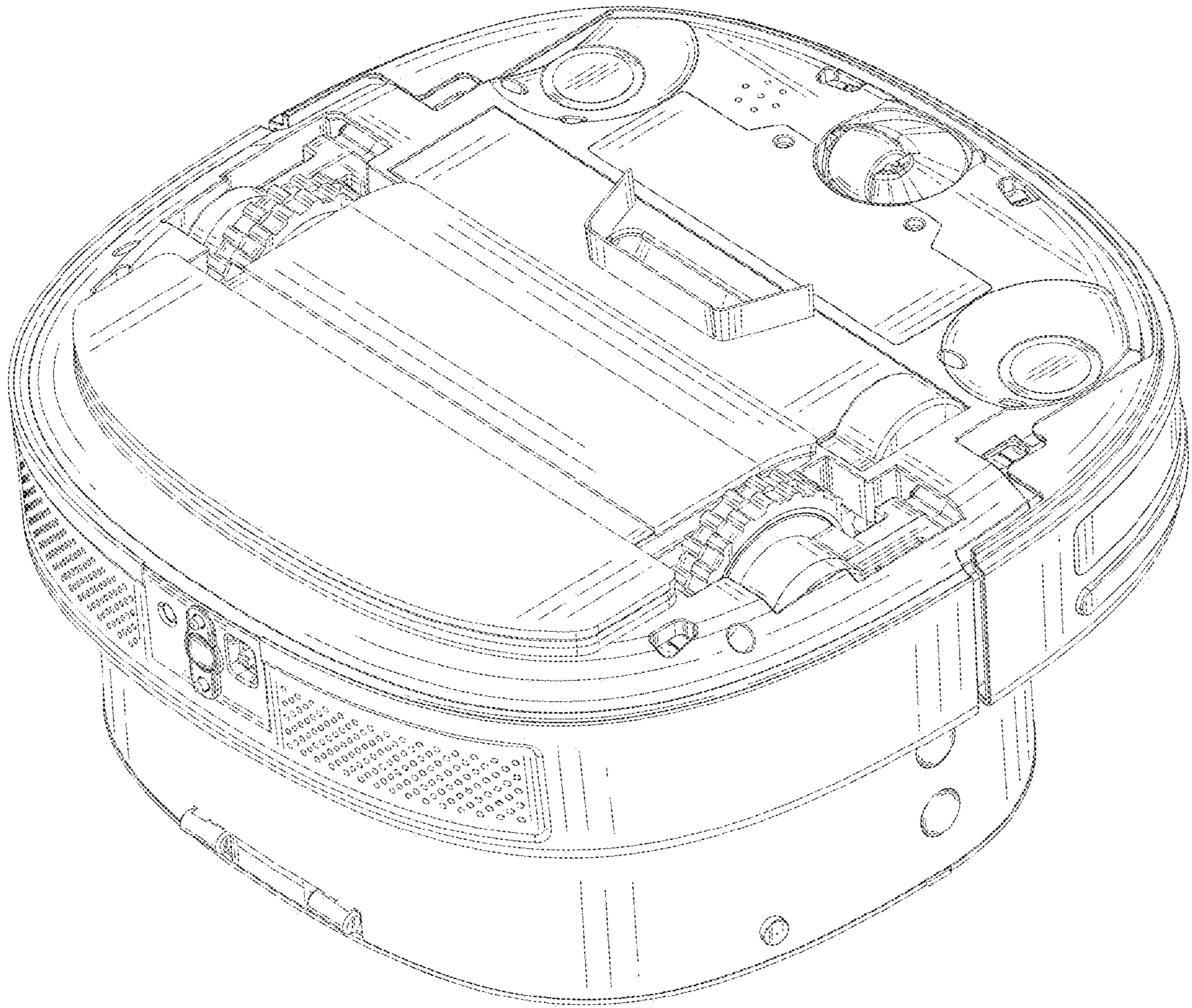


FIG. 2

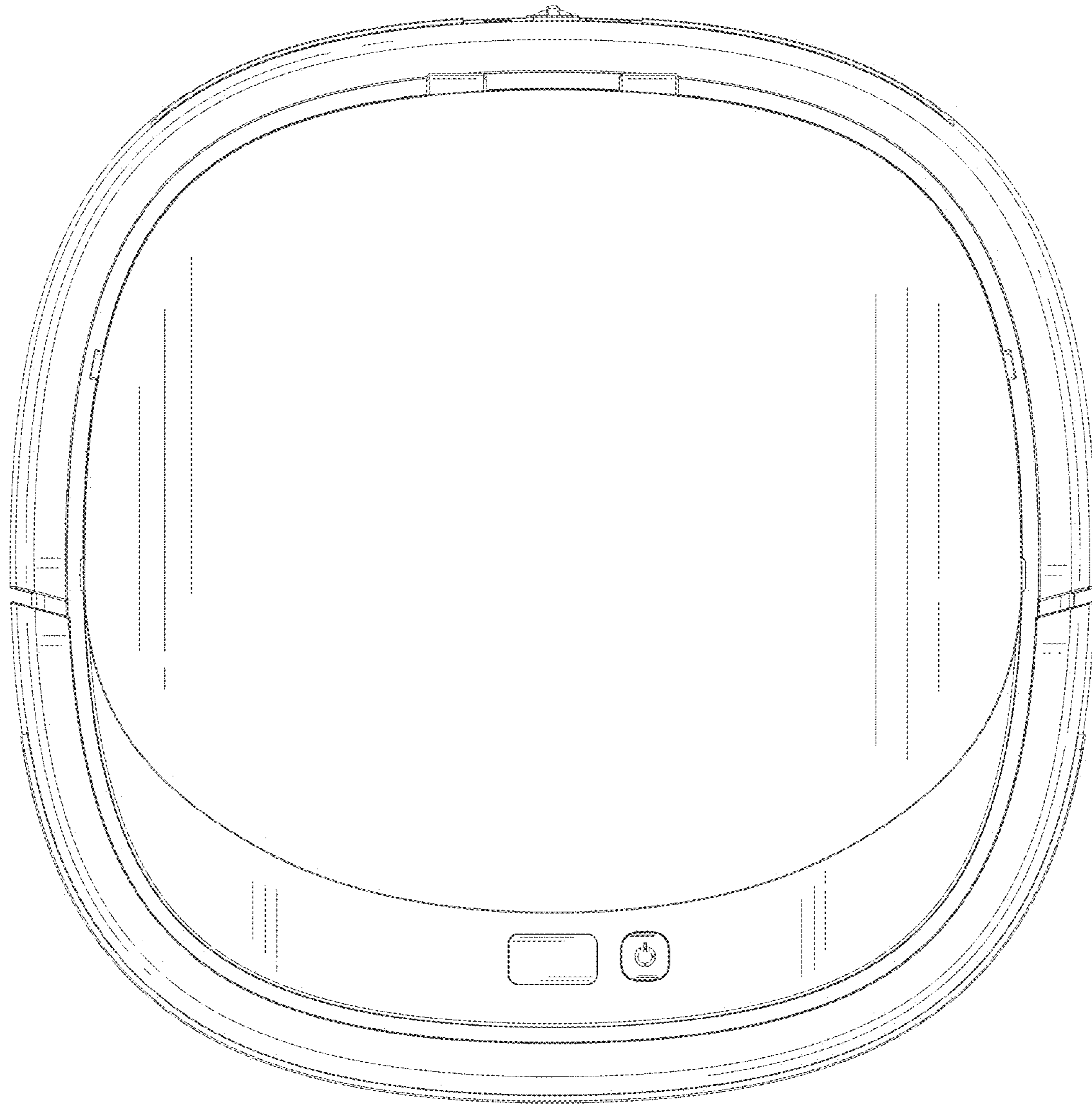


FIG. 3

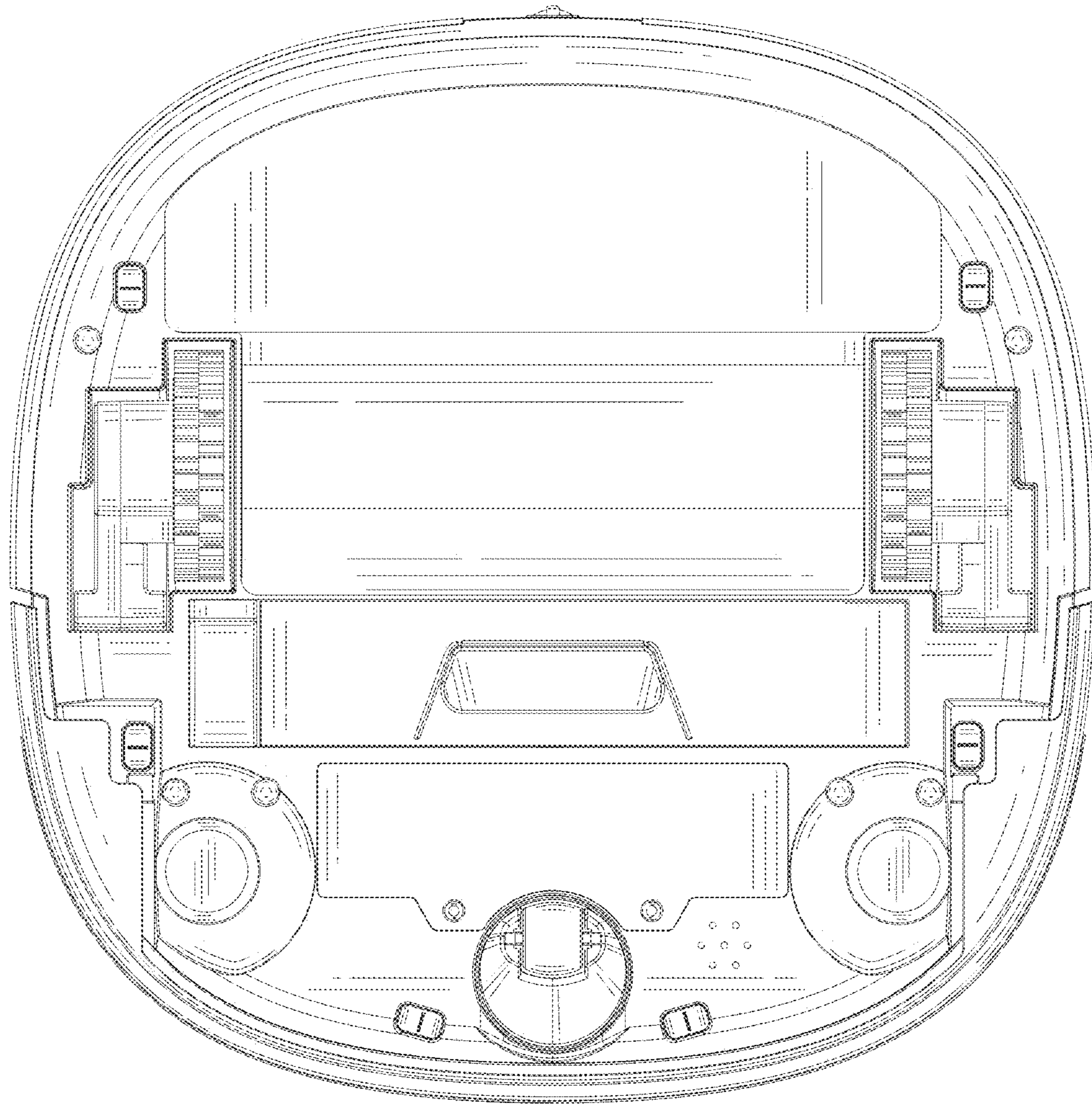


FIG. 4

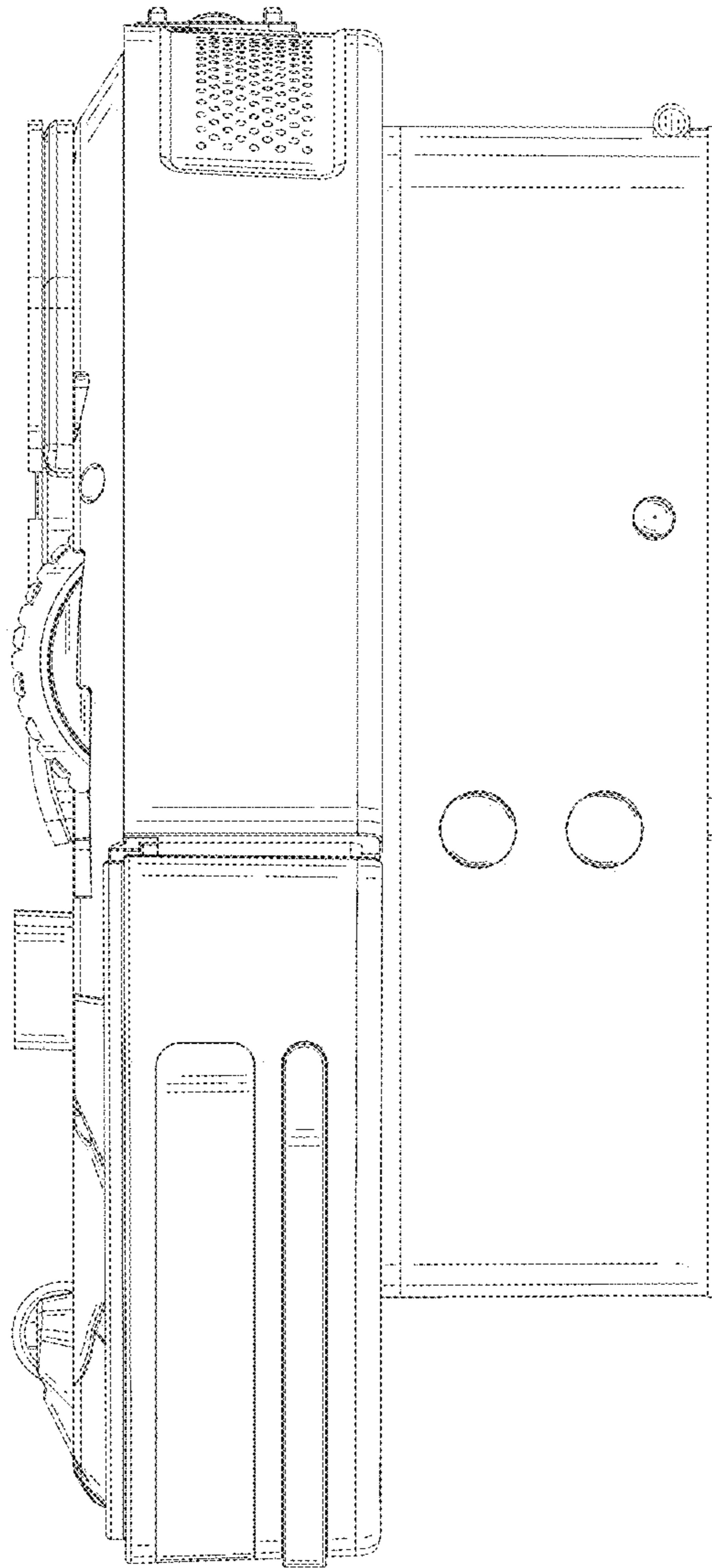


FIG. 5

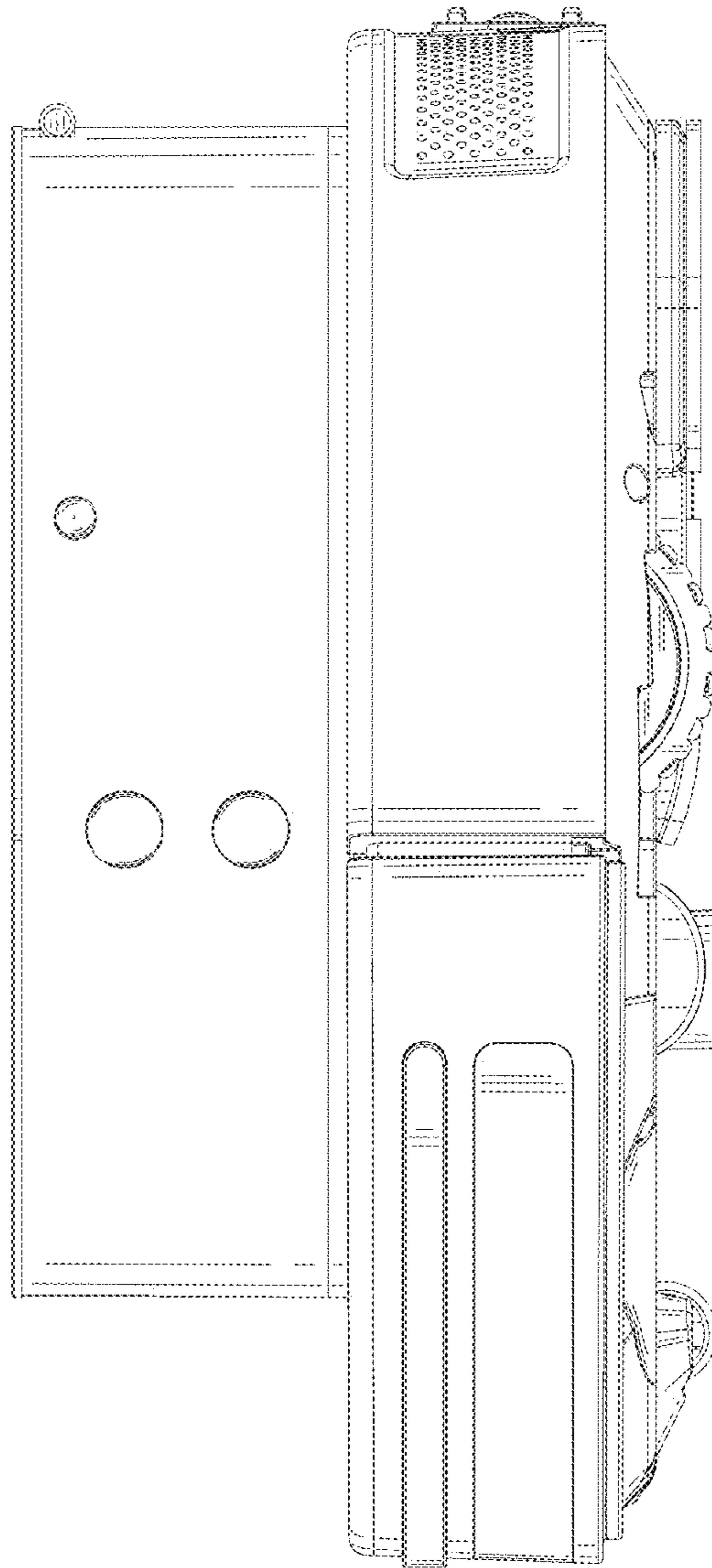


FIG. 6

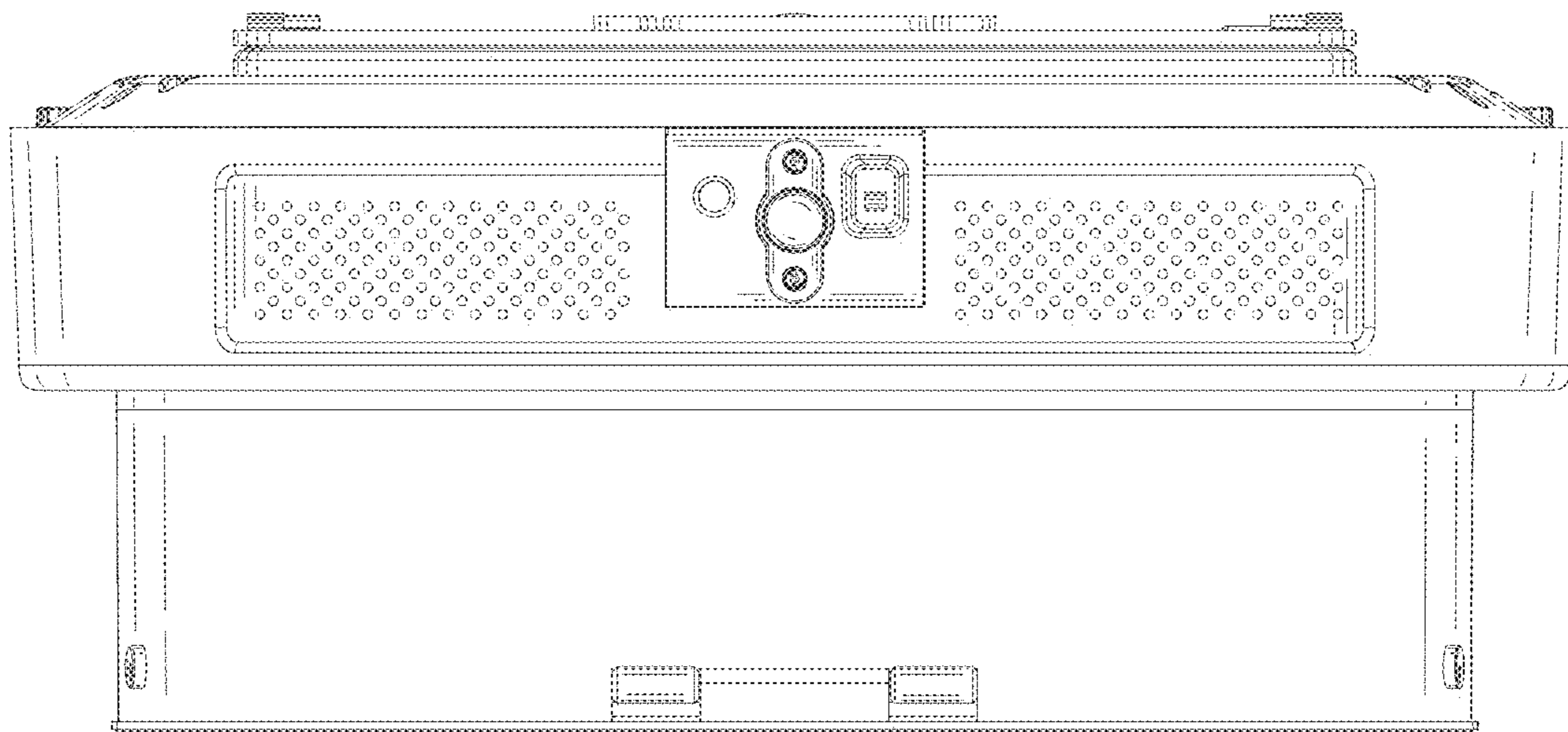


FIG. 7



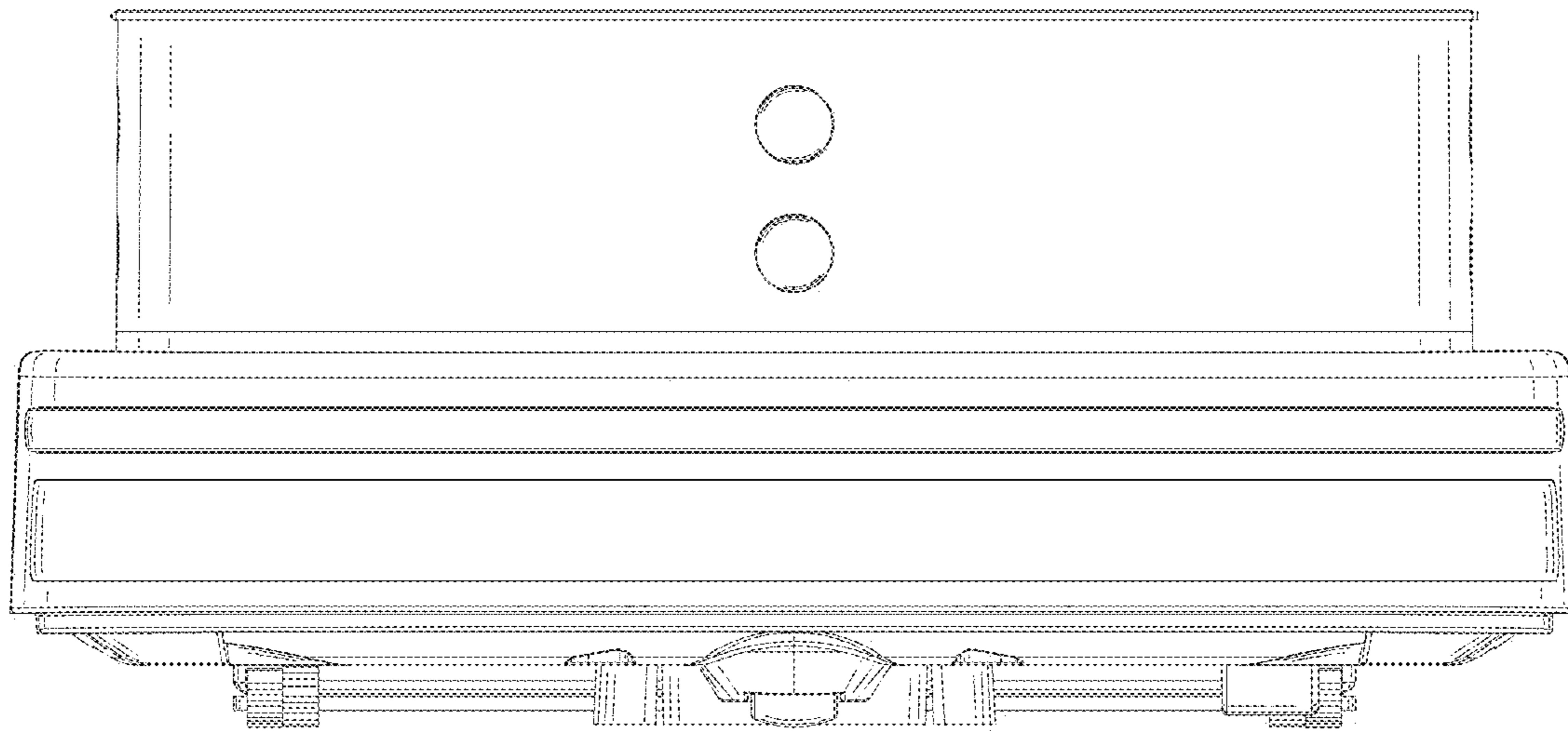


FIG. 8