



US00D915014S

(12) **United States Design Patent**  
**Grebing**

(10) **Patent No.:** **US D915,014 S**  
(45) **Date of Patent:** **\*\* Mar. 30, 2021**

(54) **CONTAINER FOR CYCLONE SEPARATOR**

(71) Applicant: **Festool GmbH**, Wendlingen (DE)

(72) Inventor: **Gerhard Grebing**, Nurtigen (DE)

(73) Assignee: **FESTOOL GMBH**, Wendlingen (DE)

(\*\*) Term: **15 Years**

(21) Appl. No.: **29/670,315**

(22) Filed: **Nov. 15, 2018**

(30) **Foreign Application Priority Data**

May 16, 2018 (WO) ..... 7513601

(51) **LOC (13) Cl.** ..... **15-05**

(52) **U.S. Cl.**  
USPC ..... **D32/31**

(58) **Field of Classification Search**  
USPC ..... D32/15, 17, 18, 19, 21, 25, 31, 32, 33,  
D32/37, 53; D3/273, 282, 291, 302, 274,  
D3/276, 281, 312; D34/25; D7/605

CPC ..... A47L 5/00; A47L 9/10; A47L 9/16; A47L  
9/1691; A47L 7/0095; A47L 5/36; A47L  
7/00; A47L 7/04; A47L 9/00; A47L 9/20;  
A47L 9/28; A47L 11/30; B04C 5/185;  
B25H 3/02; B32H 3/023; B65D 21/02

See application file for complete search history.

(56) **References Cited**

**U.S. PATENT DOCUMENTS**

5,011,013 A \* 4/1991 Meisner ..... B25H 3/023  
206/373  
D326,345 S \* 5/1992 Mandell ..... D3/312  
D328,425 S \* 8/1992 Brightbill ..... D3/282  
D349,646 S \* 8/1994 Dickinson ..... D3/302  
D355,118 S \* 2/1995 Dickinson ..... D7/605  
D357,120 S \* 4/1995 Miller ..... D3/312  
D373,247 S \* 9/1996 Dickinson ..... D3/281  
D381,512 S \* 7/1997 Green ..... D3/273

D389,309 S \* 1/1998 Shaw ..... D3/276  
D427,769 S \* 7/2000 Zimmerman ..... D3/273  
D480,872 S \* 10/2003 Welsh ..... D3/273  
D493,034 S \* 7/2004 Bar-Erez ..... D3/281  
6,761,366 B1 \* 7/2004 Klemmensen ..... B25H 3/023  
16/113.1  
D505,011 S \* 5/2005 Einav ..... D3/274  
D511,624 S \* 11/2005 Rosine ..... D3/273  
D513,870 S \* 1/2006 Rosine ..... D3/273  
7,017,740 B2 \* 3/2006 Itzkovitch ..... B25H 3/02  
206/372  
D558,410 S \* 12/2007 Hill ..... D32/21  
D588,810 S \* 3/2009 Rowlett ..... D3/291

(Continued)

**OTHER PUBLICATIONS**

Pre-separator CT-VA 20 Festool (on-line), dated Aug. 30, 2018.  
Retrieved from Internet Aug. 25, 2020, URL: <https://www.youtube.com/watch?v=jlOAzAjkkO8> (1 page) (Year: 2018).\*

*Primary Examiner* — Kimberly Barnes

(74) *Attorney, Agent, or Firm* — Hoffmann & Baron, LLP

(57)

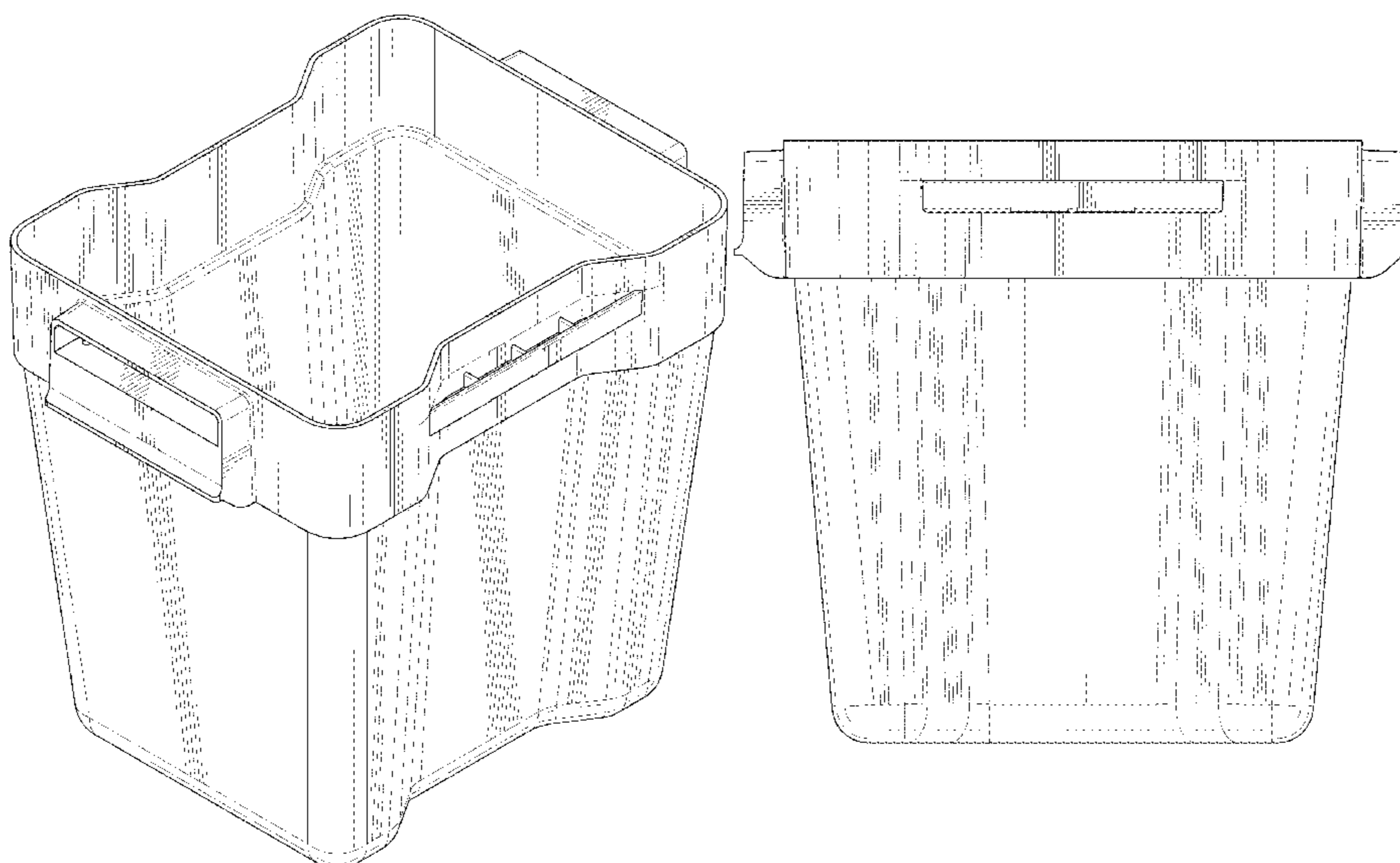
**CLAIM**

The ornamental design for a container for cyclone separator,  
as shown and described.

**DESCRIPTION**

FIG. 1 is a top perspective view of a container for cyclone separator showing my new design;  
FIG. 2 is a front view thereof;  
FIG. 3 is a rear view thereof;  
FIG. 4 is a left side view thereof;  
FIG. 5 is a right side view thereof;  
FIG. 6 is a top plan view thereof; and,  
FIG. 7 is a bottom plan view thereof.  
The broken lines are included for illustrating portions of the container for cyclone separator that form no part of the claimed design.

**1 Claim, 7 Drawing Sheets**



(56)

**References Cited**

U.S. PATENT DOCUMENTS

D719,731 S \* 12/2014 Burgess ..... D3/302  
D738,623 S \* 9/2015 Wood ..... D3/302  
D826,557 S \* 8/2018 Han ..... D3/282  
D893,869 S \* 8/2020 Kramer ..... D3/282  
10,820,766 B2 \* 11/2020 Grebing ..... A47L 9/1683  
2004/0118737 A1 \* 6/2004 Welsh ..... B65D 21/0233  
206/508  
2020/0069126 A1 \* 3/2020 Mantes ..... A47L 9/127  
2020/0069130 A1 \* 3/2020 Mantes ..... A47L 9/122

\* cited by examiner

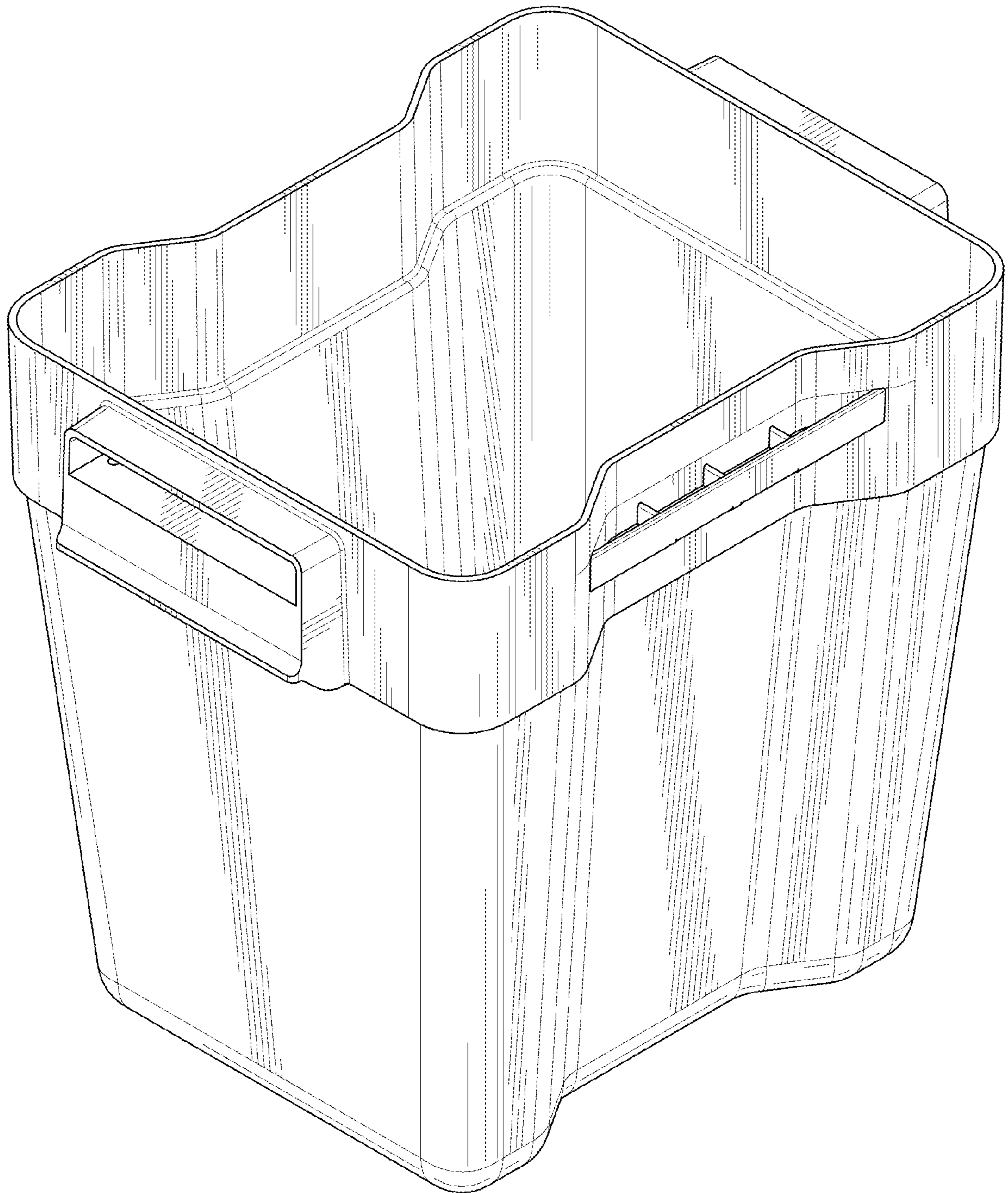


FIG. 1

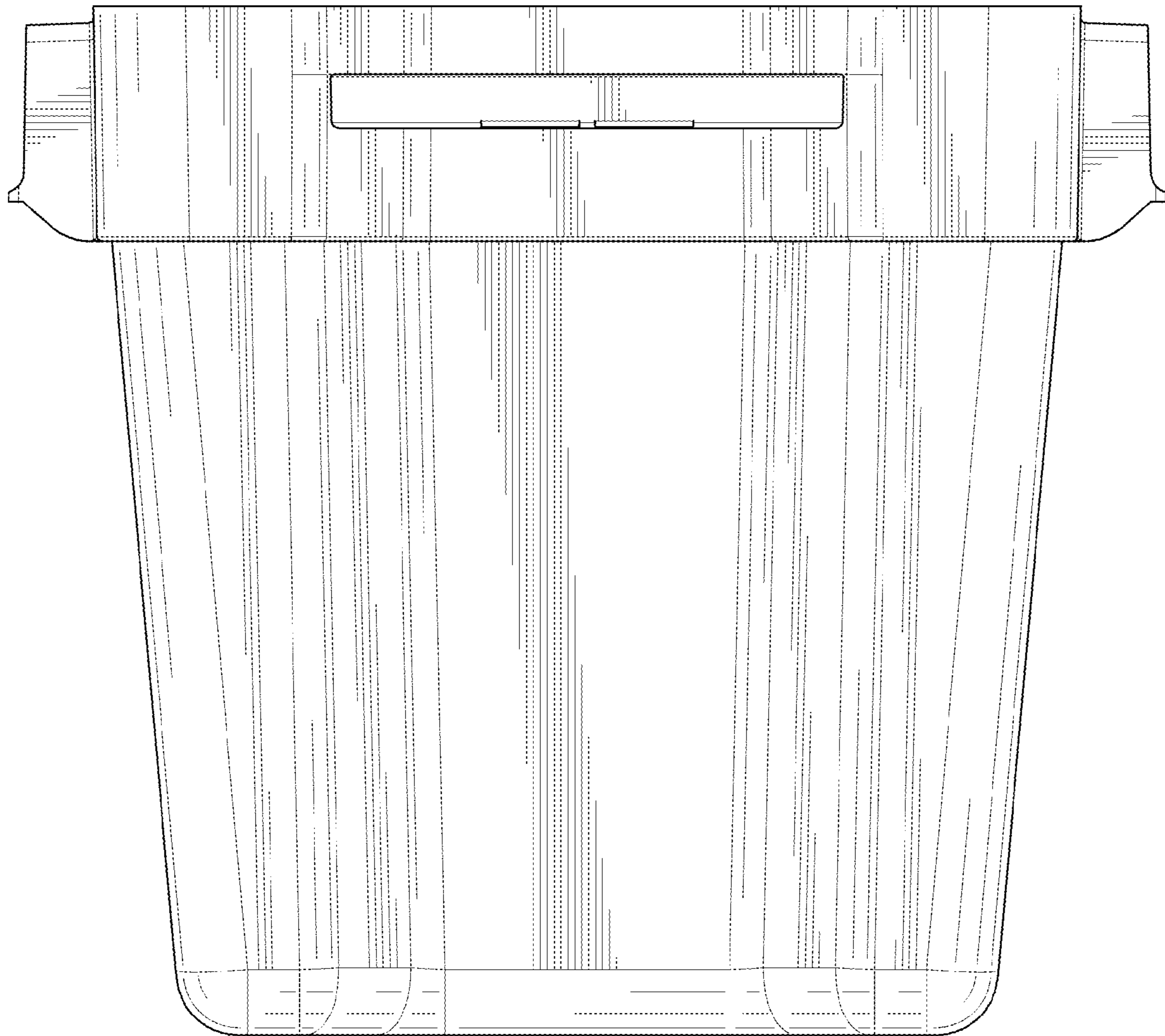


FIG. 2

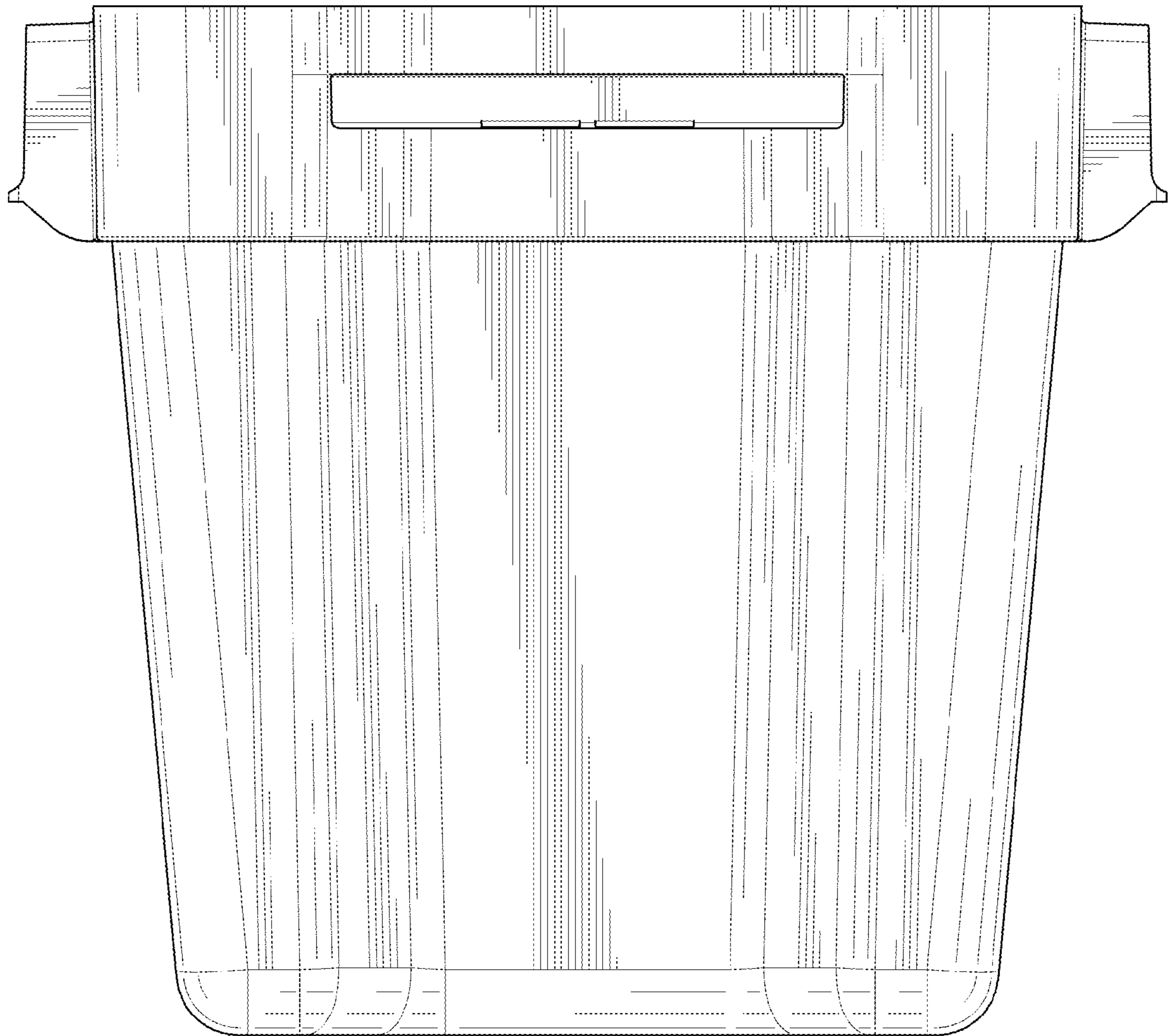


FIG. 3

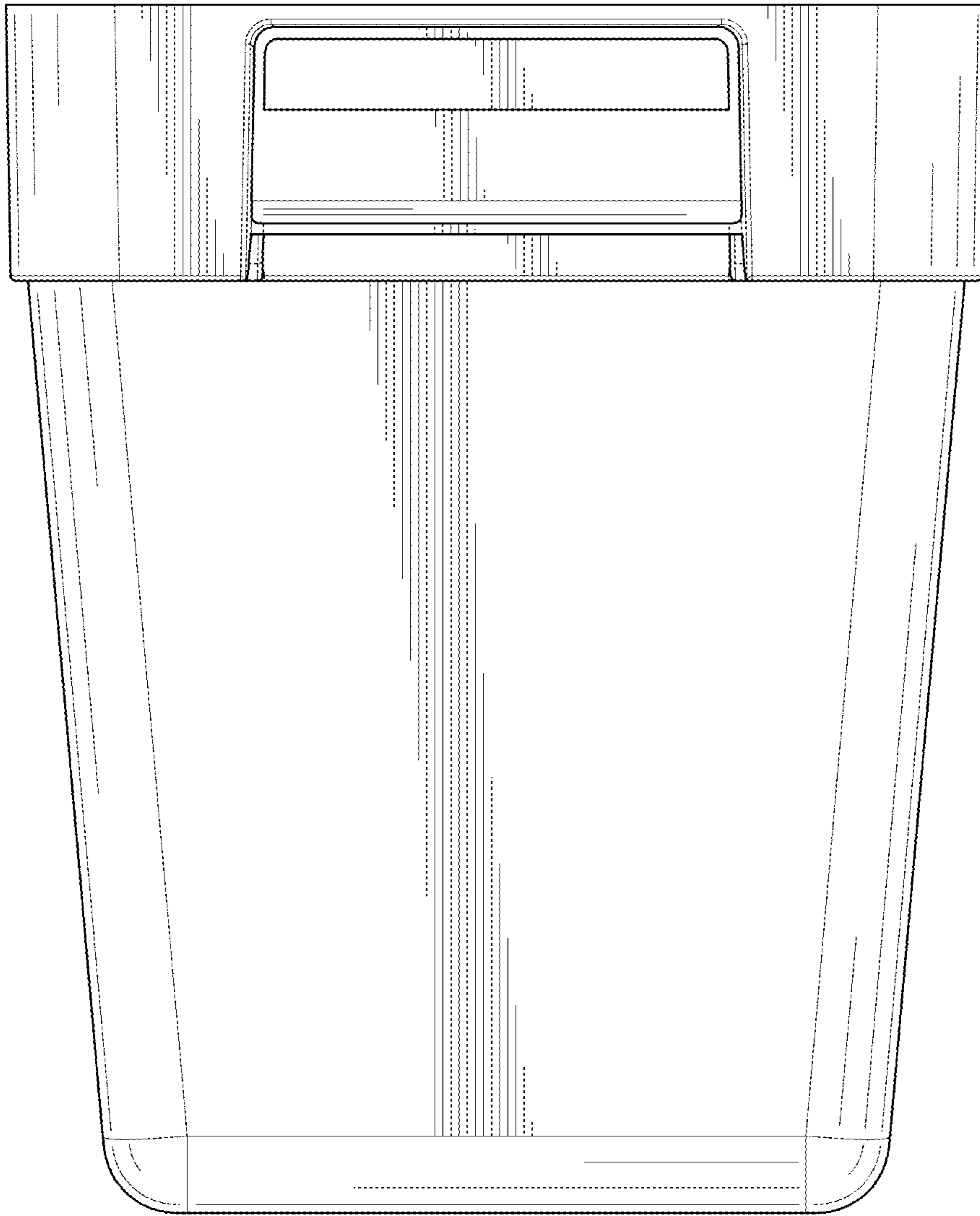


FIG. 4

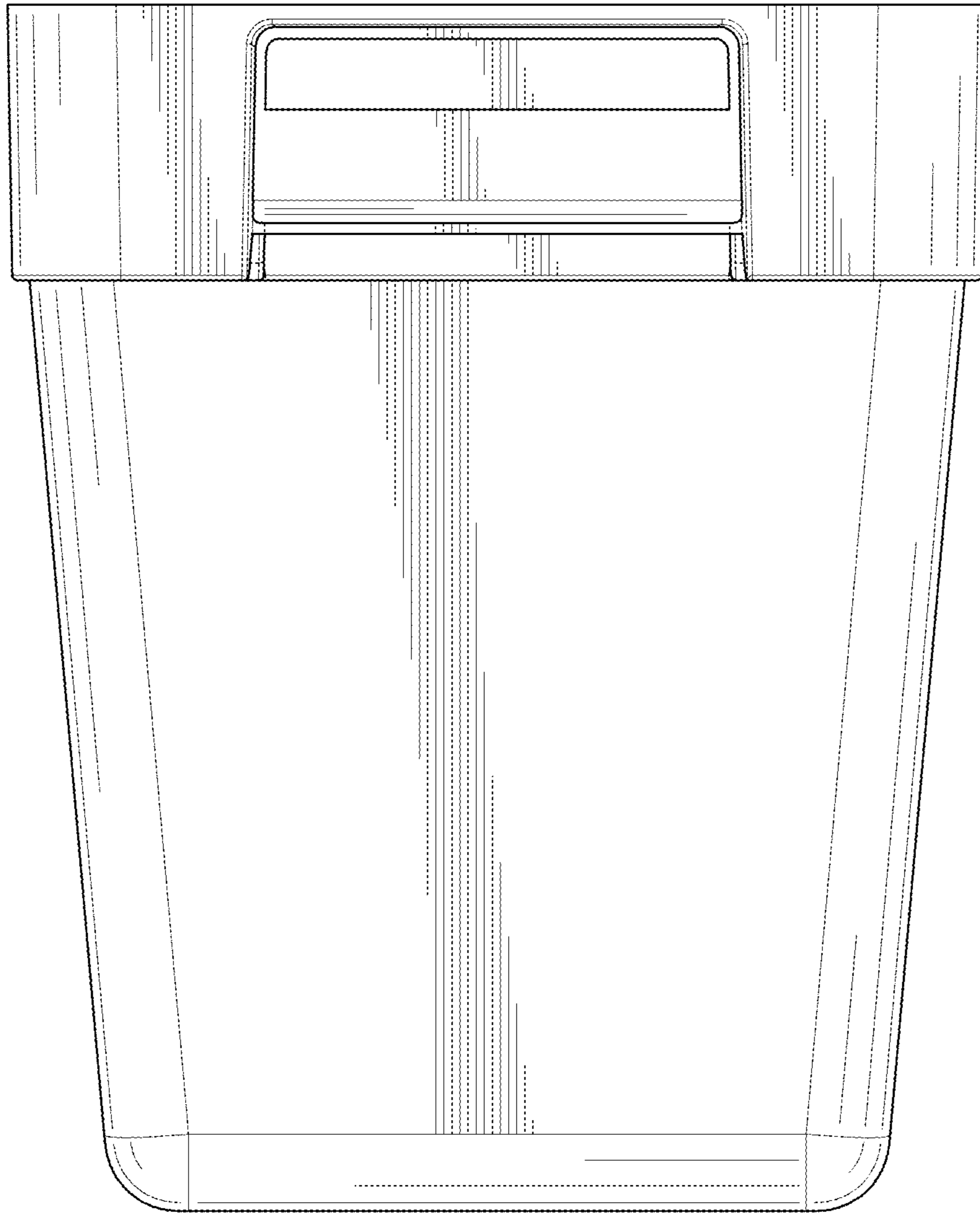


FIG. 5

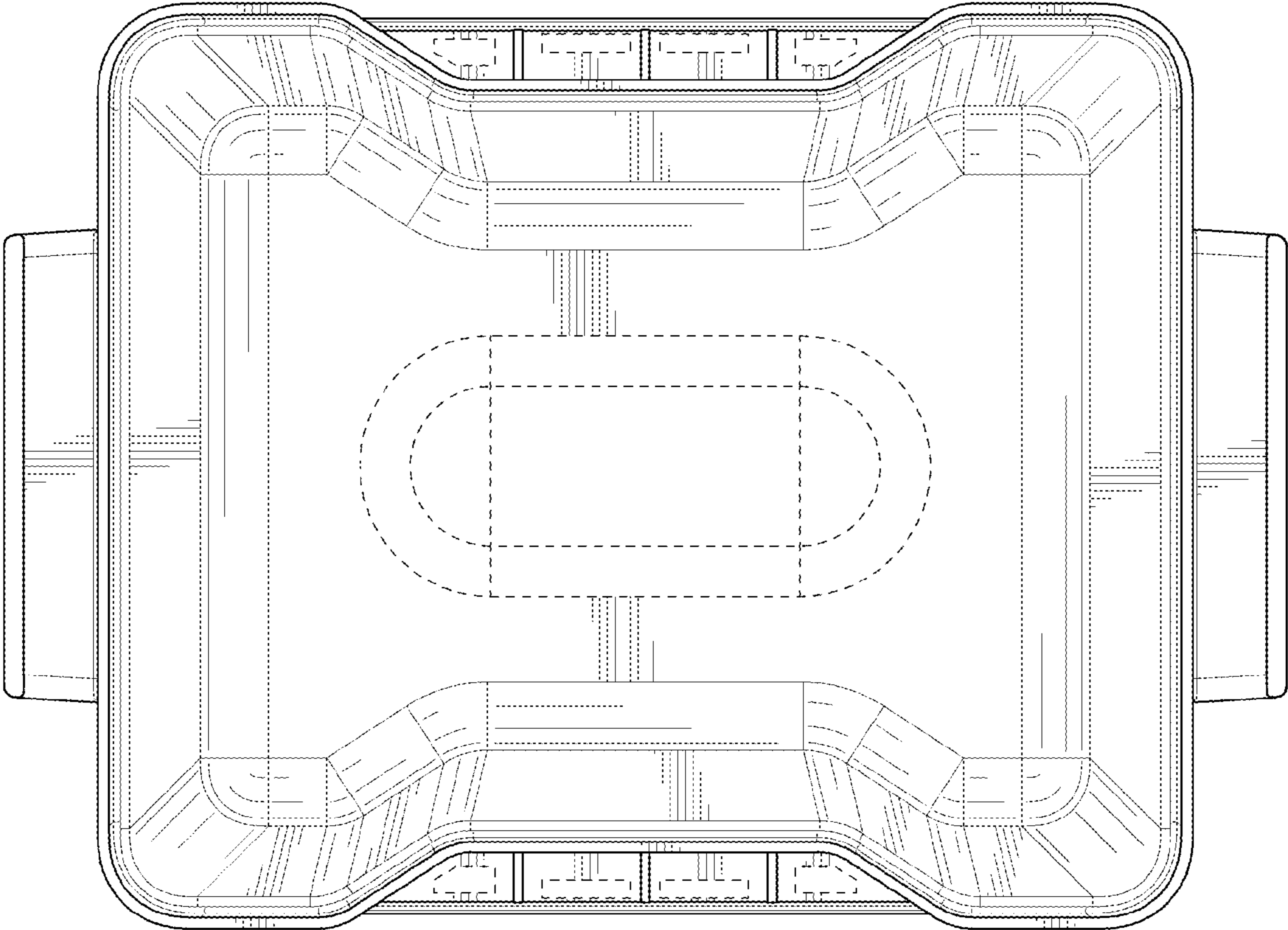


FIG. 6



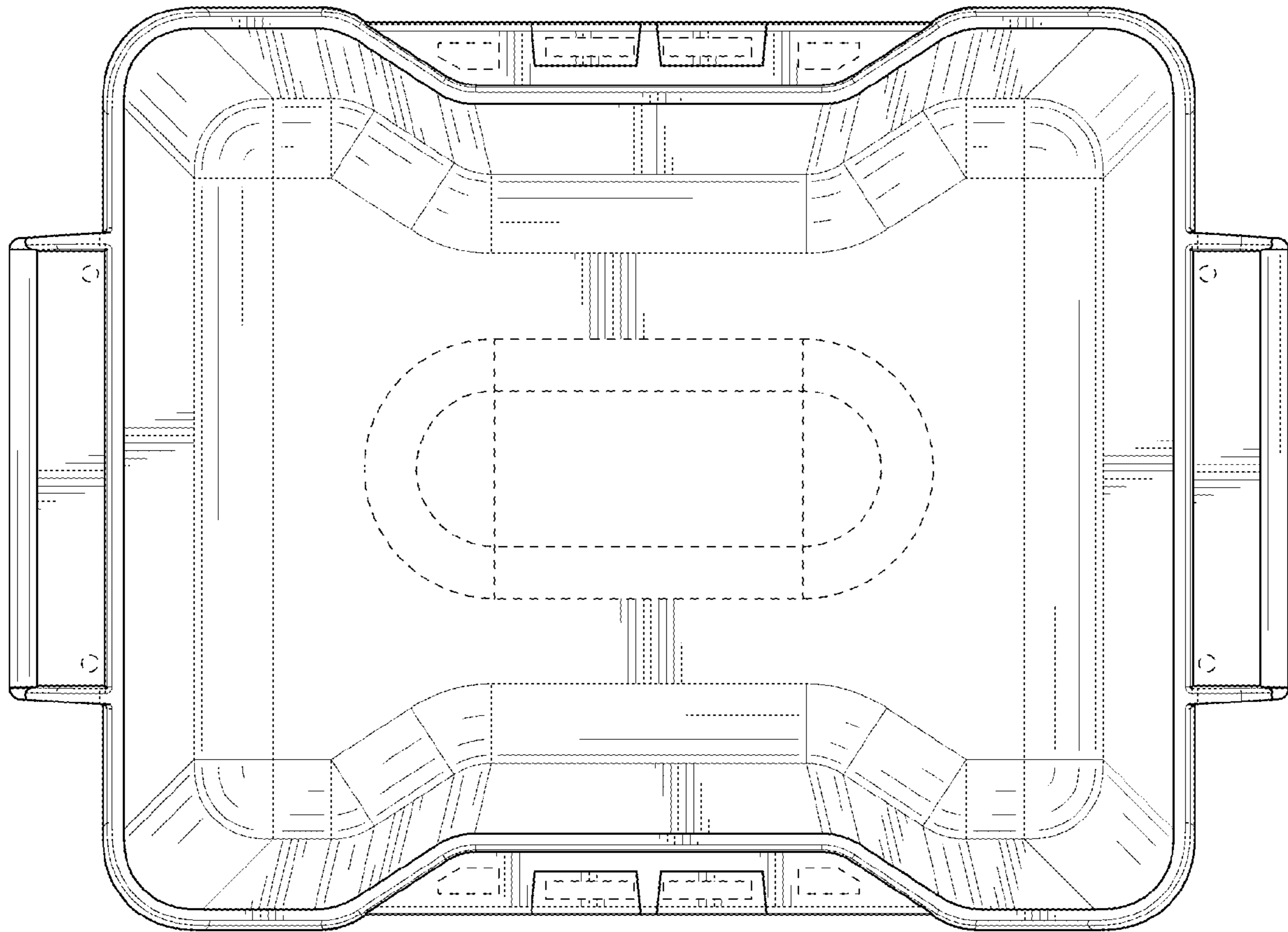


FIG. 7