



US00D915013S

(12) **United States Design Patent** (10) **Patent No.:** **US D915,013 S**
Mäkitalo et al. (45) **Date of Patent:** **** Mar. 30, 2021**

(54) **VACUUM CLEANER**

(71) Applicant: **Aktiebolaget Electrolux**, Stockholm (SE)

(72) Inventors: **Elisabeth Piper Mäkitalo**, Stockholm (SE); **Christian Agren**, Stockholm (SE); **Jonas Kristiansson**, Stockholm (SE)

(73) Assignee: **Aktiebolaget Electrolux**

(**) Term: **15 Years**

(21) Appl. No.: **29/634,734**

(22) Filed: **Jan. 24, 2018**

(30) **Foreign Application Priority Data**

Jul. 24, 2017 (EP) 004117786
Jan. 4, 2018 (EP) 004593077

(51) **LOC (13) Cl.** **15-05**

(52) **U.S. Cl.**
USPC **D32/22**

(58) **Field of Classification Search**
USPC D32/22, 31, 17
CPC A47L 11/20; A47L 11/34; A47L 11/40;
A47L 11/4016; A47L 5/28; A47L 5/24;
A47L 7/02
See application file for complete search history.

(56) **References Cited**

U.S. PATENT DOCUMENTS

D509,934 S * 9/2005 Santiago D32/22
D562,509 S * 2/2008 Lee D32/22
D725,855 S * 3/2015 Burnham D32/31
D730,001 S * 5/2015 Yun D32/22
D759,919 S * 6/2016 Smith D32/31
9,402,516 B2 * 8/2016 Pilch A47L 9/2884
D770,106 S * 10/2016 Johnson D32/22
D772,510 S * 11/2016 Palladino D32/31
D778,015 S * 1/2017 Miller D32/31

D783,912 S * 4/2017 Shin D32/22
D784,636 S * 4/2017 Canas D32/22
D791,421 S * 7/2017 Wu D32/31
D836,863 S * 12/2018 Theising D32/22

(Continued)

OTHER PUBLICATIONS

Electrolux launches groundbreaking cordless vacuum cleaner (on-line), dated Aug. 21, 2018. Retrieved from Internet Nov. 21, 2020, URL: <https://www.electroluxgroup.com/en/electrolux-launches-groundbreaking-cordless-vacuum-cleaner-26003/> (5 pages) (Year: 2018).*

Primary Examiner — Kimberly Barnes

(74) *Attorney, Agent, or Firm* — RatnerPrestia

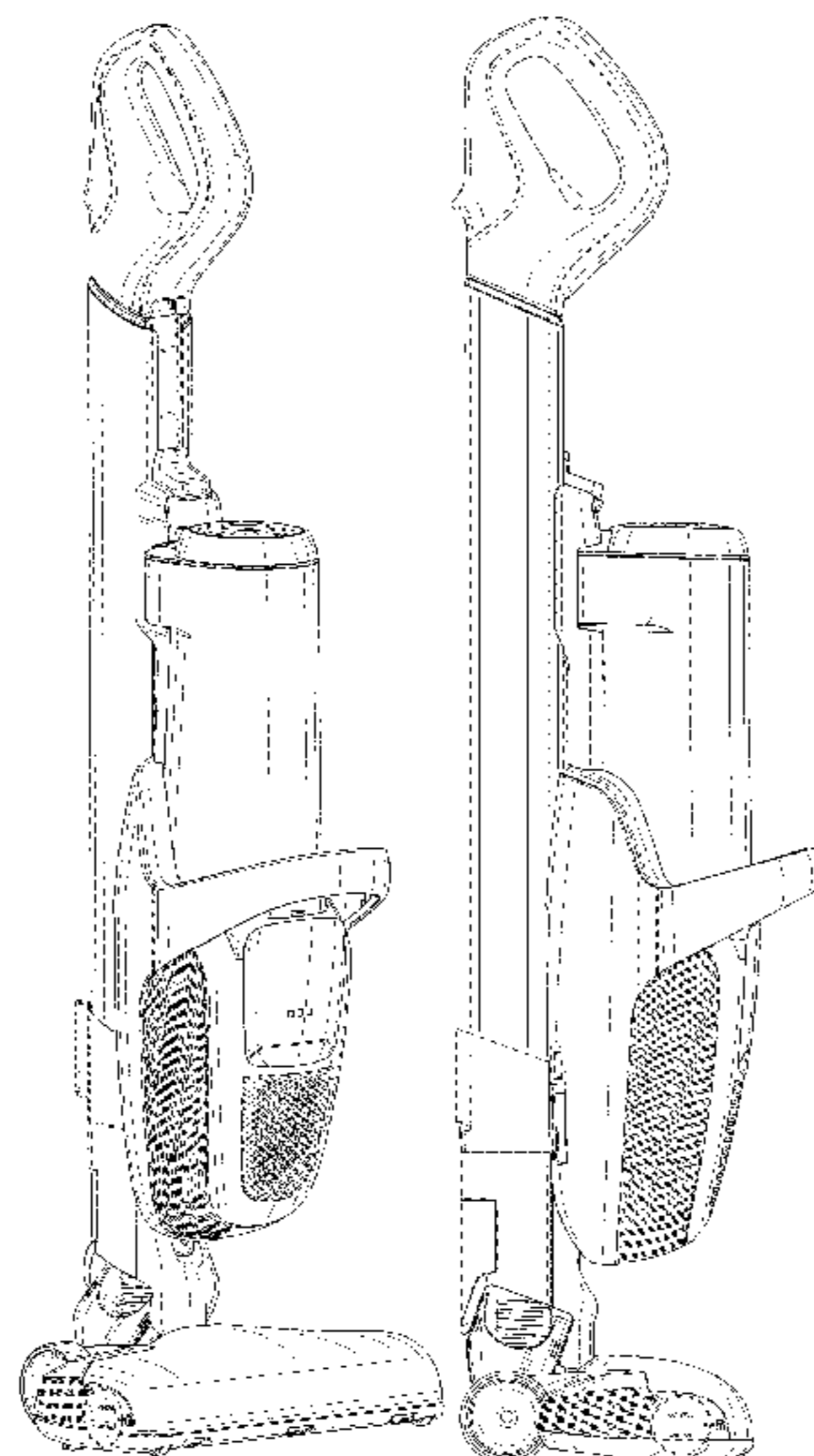
(57) **CLAIM**

The ornamental design for a vacuum cleaner, as shown and described.

DESCRIPTION

FIG. 1 is a left front isometric view of a vacuum cleaner showing our new design;
FIG. 2 is front elevation view of the vacuum cleaner of FIG. 1;
FIG. 3 is a rear elevation view of the vacuum cleaner of FIG. 1;
FIG. 4 is a left elevation view of the vacuum cleaner of FIG. 1;
FIG. 5 is a right elevation view of the vacuum cleaner of FIG. 1;
FIG. 6 is a top plan view of the vacuum cleaner of FIG. 1; and,
FIG. 7 is a bottom plan view of the vacuum cleaner of FIG. 1.
In the drawings, the dashed broken lines indicate environmental structure that forms no part of the claimed design, and long dash short dash long dash lines denote boundaries of the claimed design.

1 Claim, 7 Drawing Sheets



(56)

References Cited

U.S. PATENT DOCUMENTS

D837,469 S * 1/2019 Johnson D32/22
D844,914 S * 4/2019 Houghton D32/22
2020/0214526 A1* 7/2020 Huang A47L 7/0028
2020/0268225 A1* 8/2020 Ashbaugh A47L 11/408

* cited by examiner

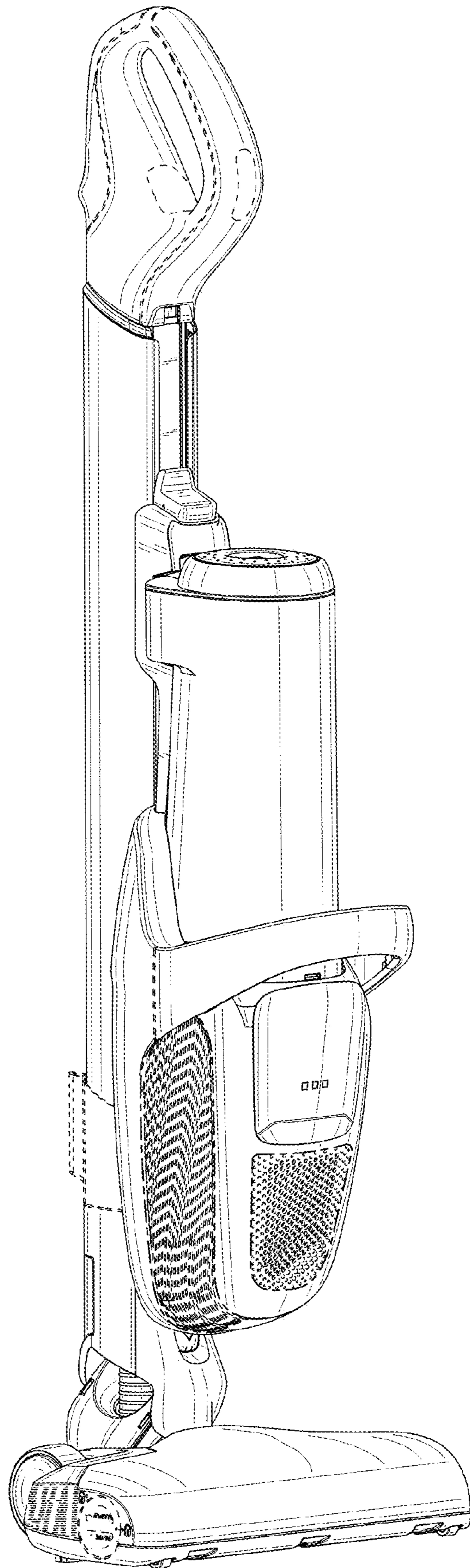


FIG. 1

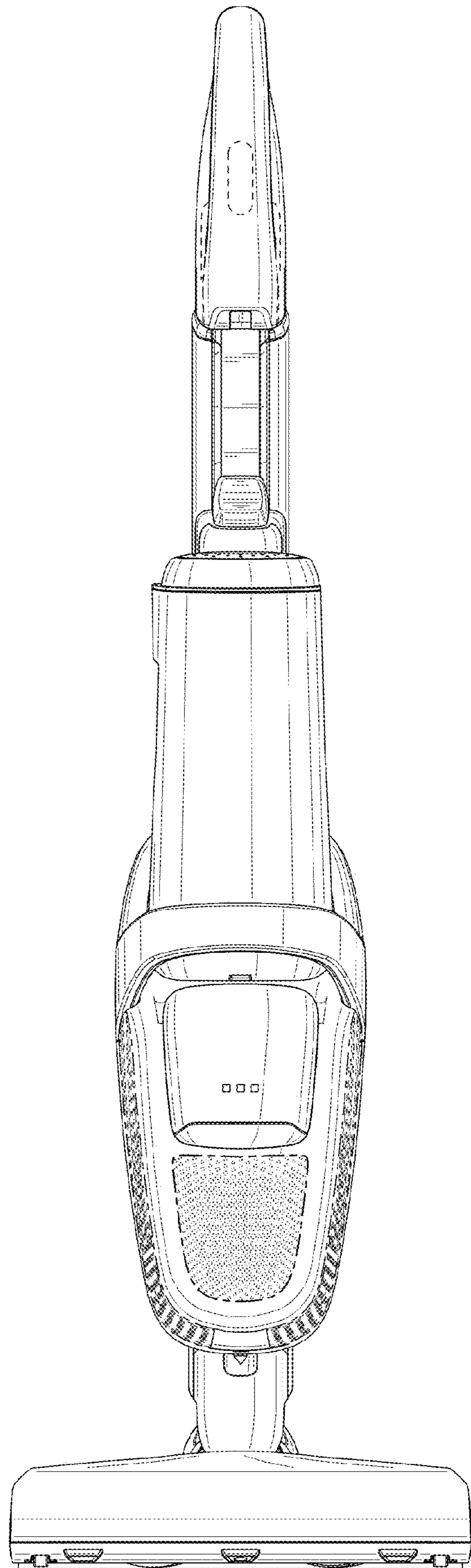


FIG. 2

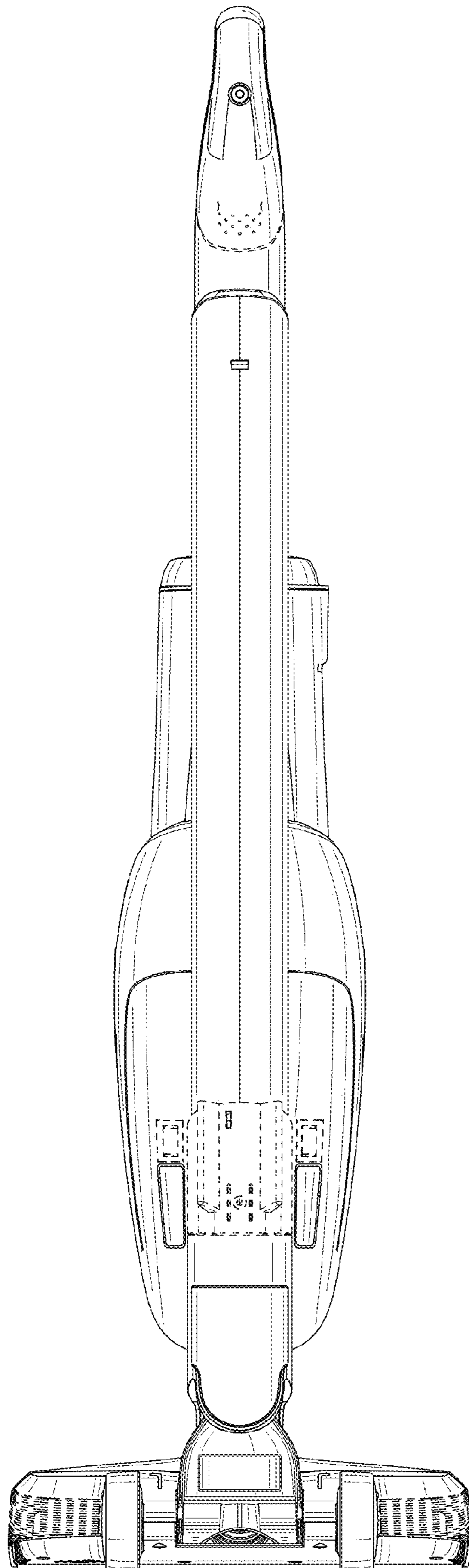


FIG. 3

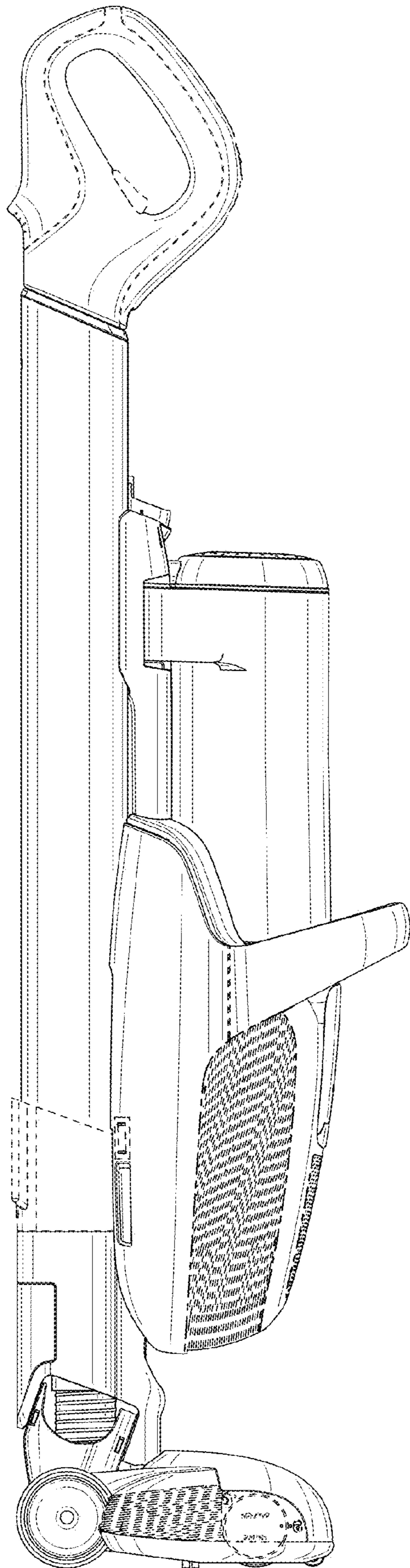


FIG. 4

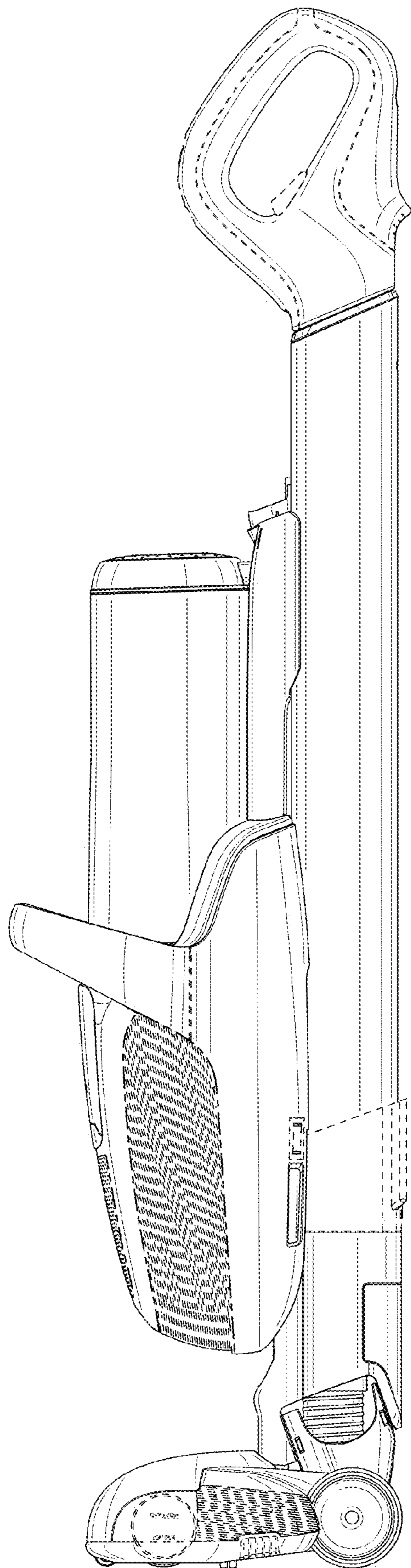


FIG. 5

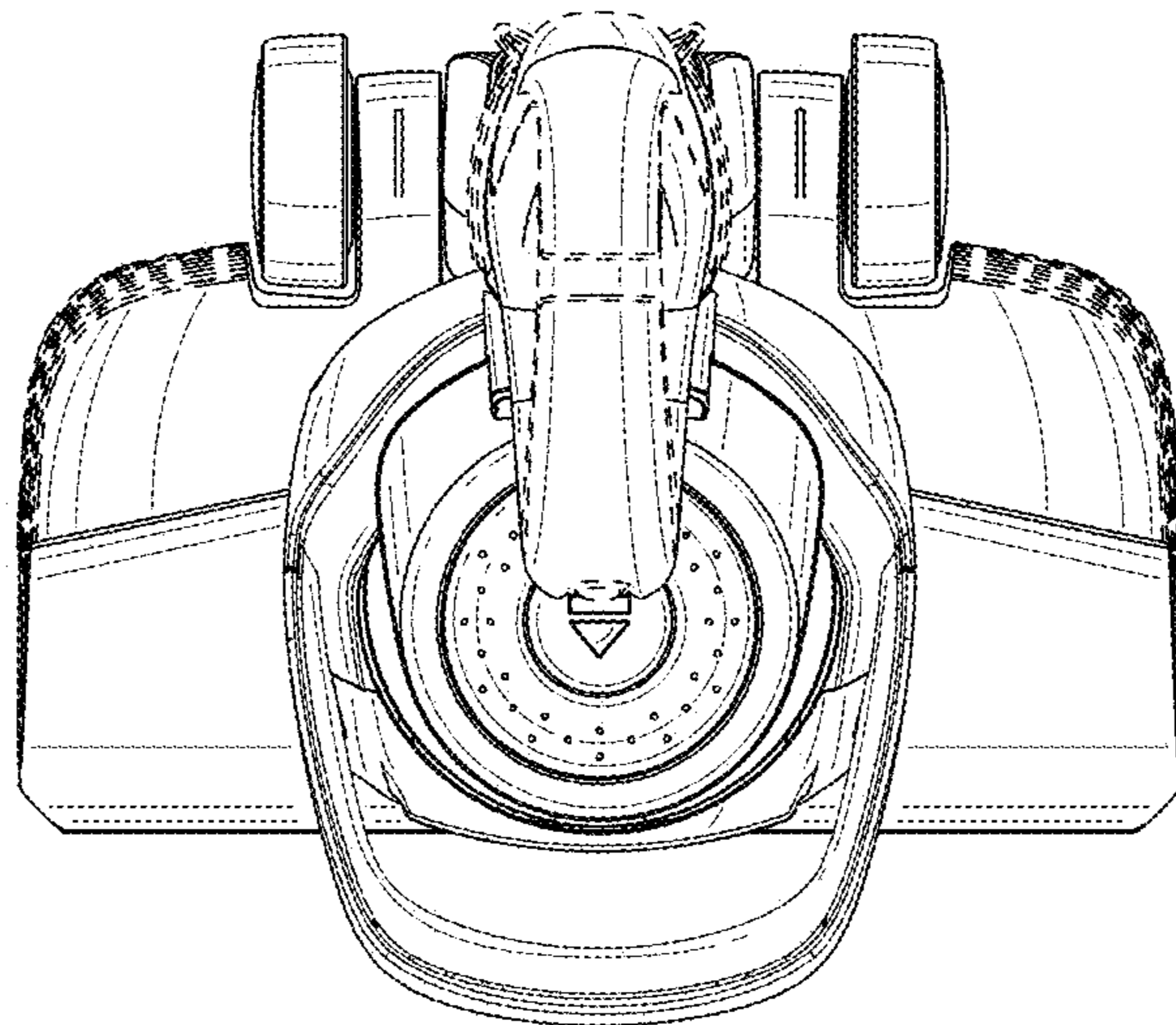


FIG. 6

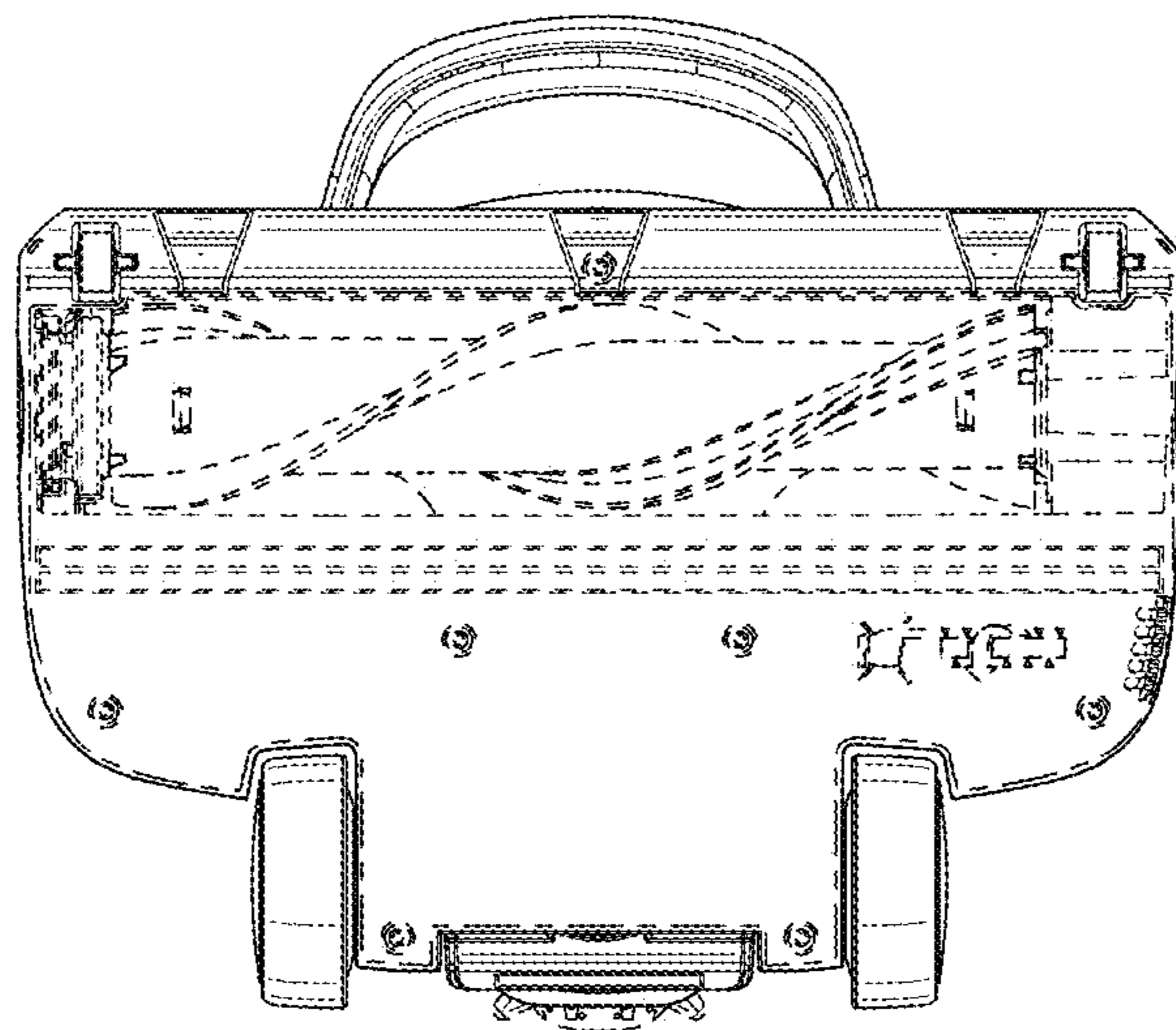


FIG. 7