



US00D915012S

(12) **United States Design Patent**  
**Garner et al.**

(10) **Patent No.:** **US D915,012 S**

(45) **Date of Patent:** **\*\* Mar. 30, 2021**

(54) **PRESSURE WASHER**

(71) Applicant: **Kärcher North America, Inc.**, Denver, CO (US)

(72) Inventors: **Trent Garner**, Highlands Ranch, CO (US); **Kyle Murray**, Vancouver, WA (US); **Rasmey Yim**, Portland, OR (US)

(73) Assignee: **KARCHER NORTH AMERICA, INC.**, Denver, CO (US)

(\*\*) Term: **15 Years**

(21) Appl. No.: **29/672,435**

(22) Filed: **Dec. 5, 2018**

(51) **LOC (13) Cl.** ..... **15-05**

(52) **U.S. Cl.**  
USPC ..... **D32/16**

(58) **Field of Classification Search**  
USPC ..... D32/15–19  
CPC ..... E04D 13/0765; A01G 20/47; A47L 11/30;  
A47L 11/4066; A47L 11/4002; A47L  
11/4011  
See application file for complete search history.

(56) **References Cited**

U.S. PATENT DOCUMENTS

2,158,735 A	5/1939	Vigneault	
3,359,949 A	12/1967	Bjarnason et al.	
3,841,273 A	10/1974	Finger et al.	
D251,007 S *	2/1979	Burgoon	D32/19
4,432,472 A *	2/1984	Lamm	A47L 11/1625 15/246
D273,431 S	4/1984	Linton	
4,524,477 A *	6/1985	Williams, III	A47L 11/4088 15/246
D282,110 S *	1/1986	Tucker	D32/19
4,697,464 A	10/1987	Martin	
D296,250 S *	6/1988	Genovese	D32/19
D296,251 S *	6/1988	Genovese	D32/19
D314,648 S	2/1991	Linton	

D317,668 S *	6/1991	Bolser	D32/19
D321,420 S *	11/1991	Von Vett	D32/19
D344,163 S *	2/1994	Joines	D32/19
D375,590 S *	11/1996	Steinhart	D32/15
5,954,494 A	9/1999	Goldsmith et al.	
D446,612 S *	8/2001	Kohler	D32/21
D496,763 S *	9/2004	Chen	D32/16
D523,193 S *	6/2006	Hong	D32/15

(Continued)

FOREIGN PATENT DOCUMENTS

EP 0497113 8/1992

OTHER PUBLICATIONS

“Hot Series 11090930,” Landa Kärcher Group, date unknown, retrieved from <https://www.landa.com/en/products/hot-water-pressure-washers/electric-powered-hot-water-pressure-washers/hot-series-11090930.html>.

(Continued)

*Primary Examiner* — John R Yeh

(74) *Attorney, Agent, or Firm* — Sheridan Ross P.C.

(57) **CLAIM**

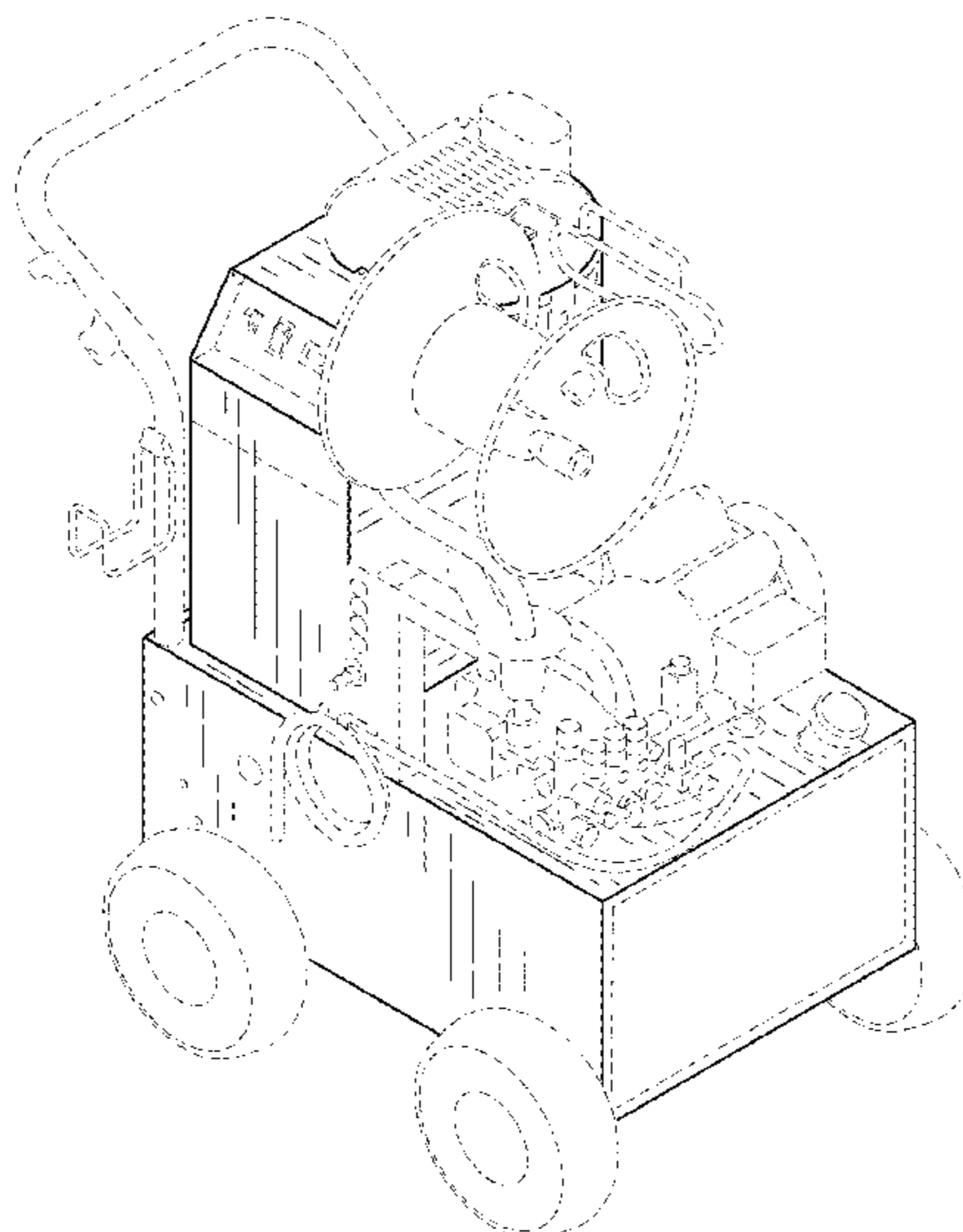
The ornamental design for a pressure washer, as shown and described.

**DESCRIPTION**

FIG. 1 is a front perspective view of the pressure washer; FIG. 2 is a bottom perspective view thereof; FIG. 3 is a front elevation view thereof; FIG. 4 is a rear elevation view thereof; FIG. 5 is a right elevation view thereof; FIG. 6 is a left elevation view thereof; FIG. 7 is a top plan view thereof; and, FIG. 8 is a bottom plan view thereof.

The broken lines in the figures illustrate portions of the pressure washer which form no part of the claimed design.

**1 Claim, 7 Drawing Sheets**



(56)

**References Cited**

U.S. PATENT DOCUMENTS

D556,959 S *	12/2007	Li .....	D32/15
D633,263 S *	2/2011	Fay .....	D32/15
D659,310 S *	5/2012	Dammkoehler .....	D32/19
D739,100 S *	9/2015	Tatic .....	D32/15
D756,576 S *	5/2016	Wang .....	D32/15
D778,011 S *	1/2017	Alexander .....	D32/16
9,724,734 B2	8/2017	Linton et al.	
D824,612 S *	7/2018	Alexander .....	D32/16
D824,613 S *	7/2018	Alexander .....	D32/16
2015/0245758 A1 *	9/2015	Wall .....	A47L 11/4088 15/320

OTHER PUBLICATIONS

Official Action for Canadian Patent Application No. 185725, dated Feb. 11, 2020, 3 pages.

\* cited by examiner

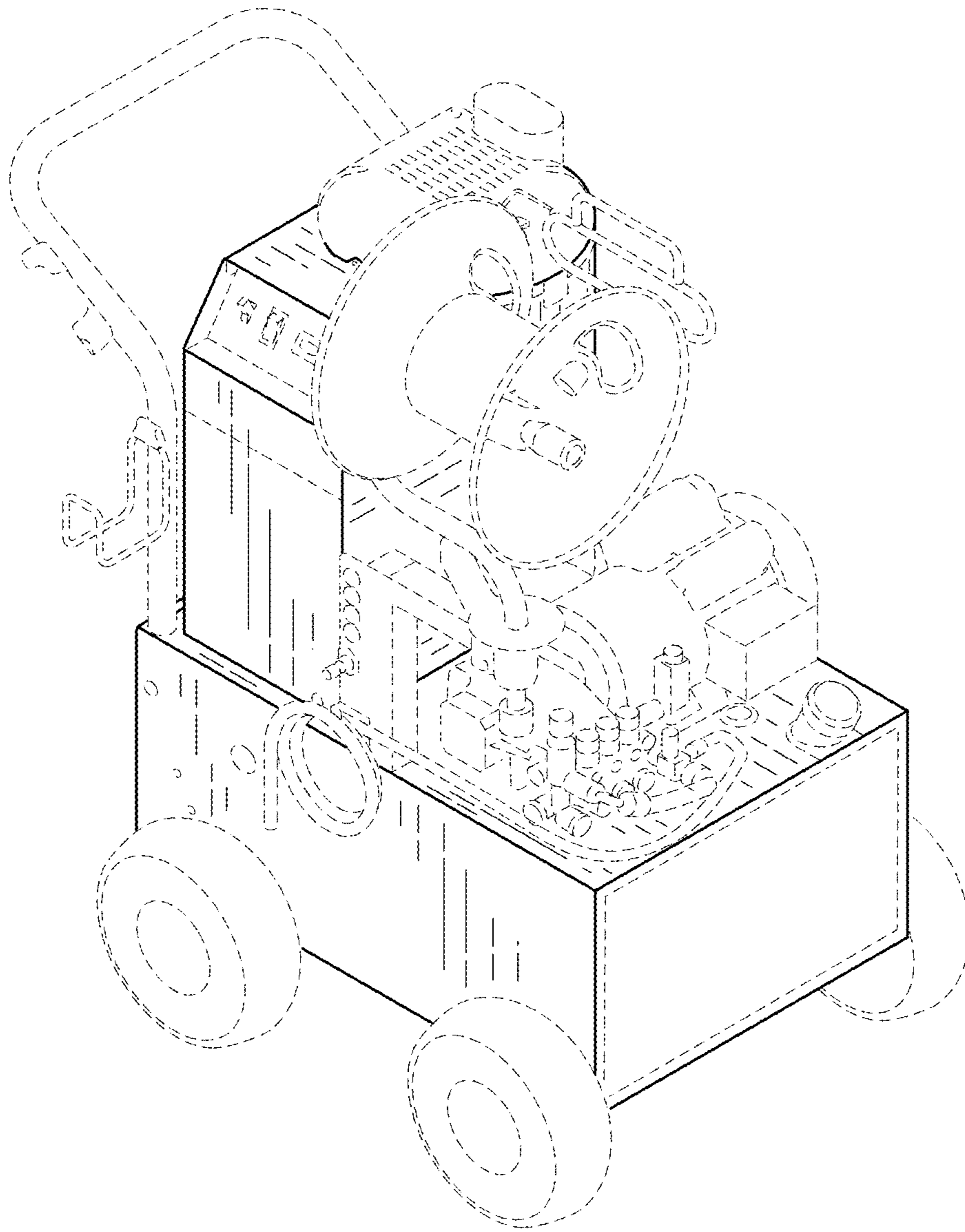


FIG.1

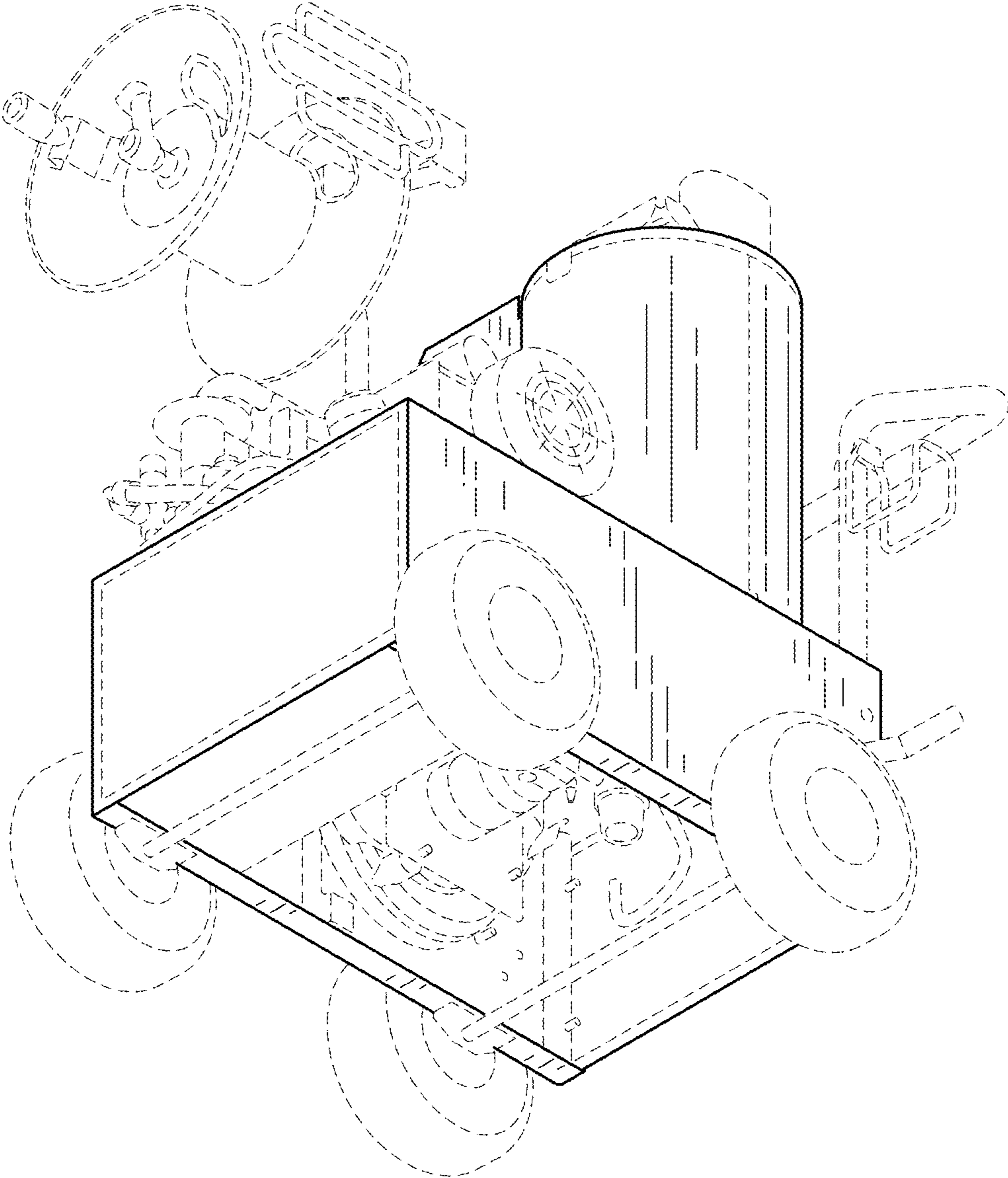


FIG.2

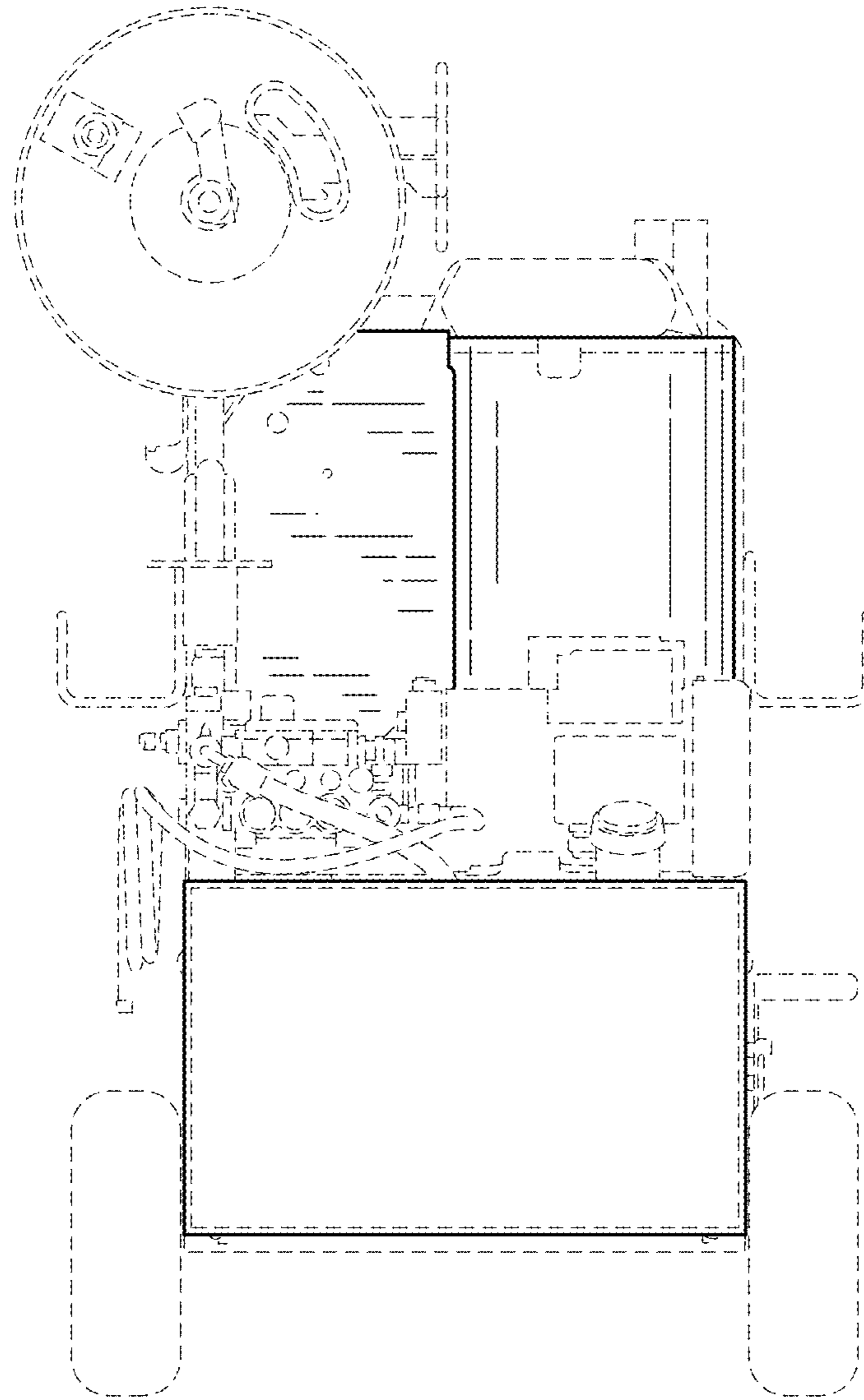


FIG.3

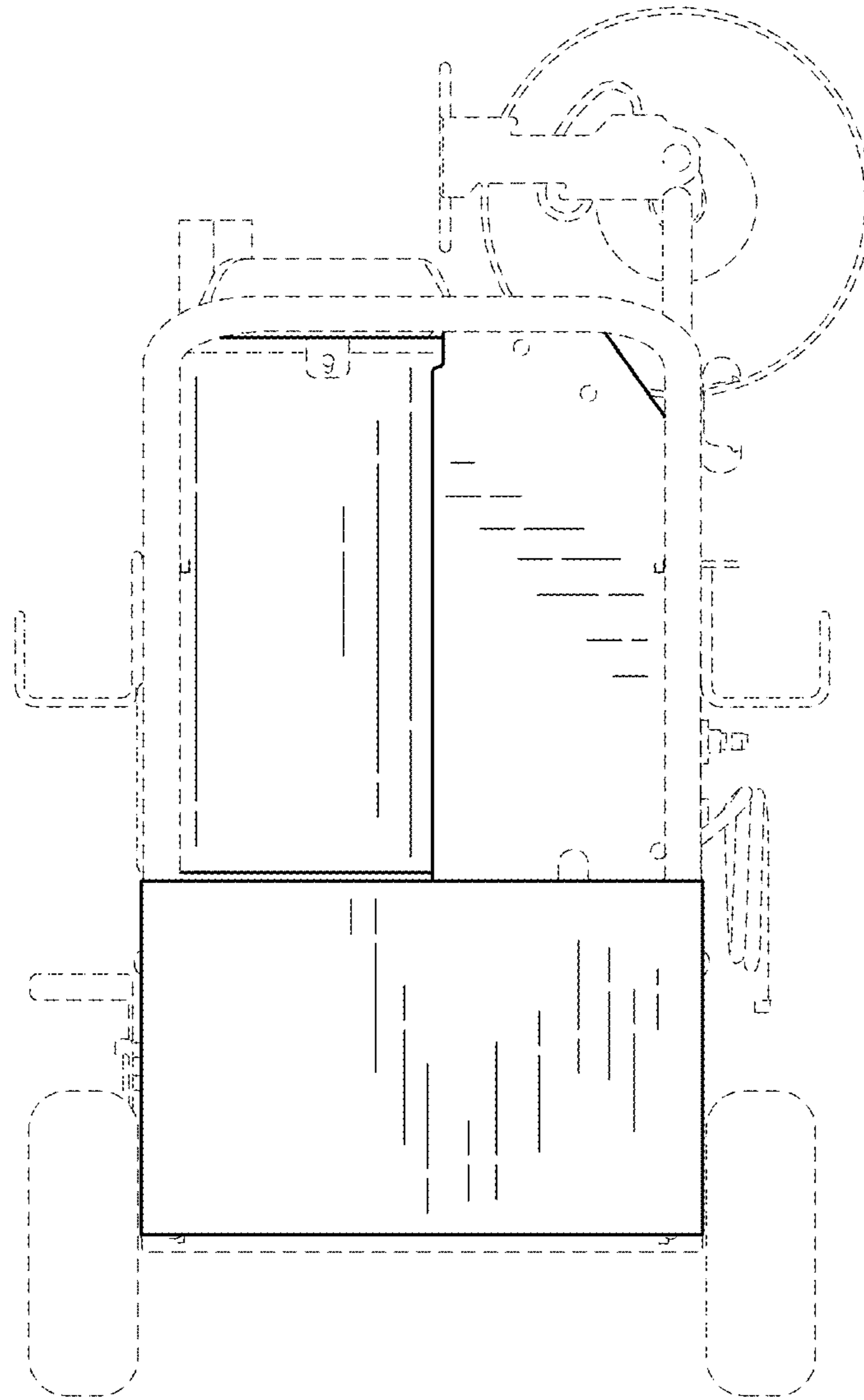


FIG.4

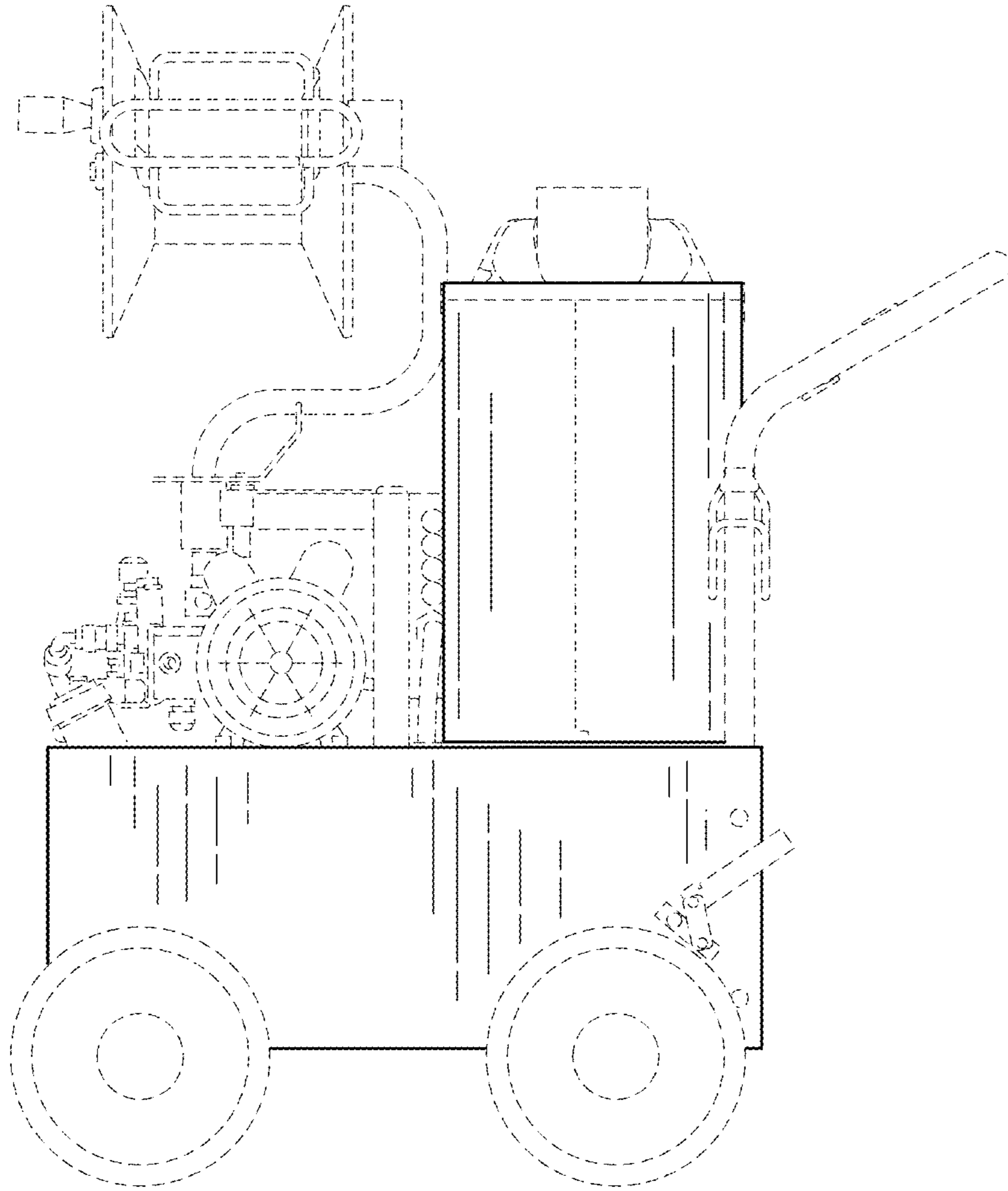


FIG.5

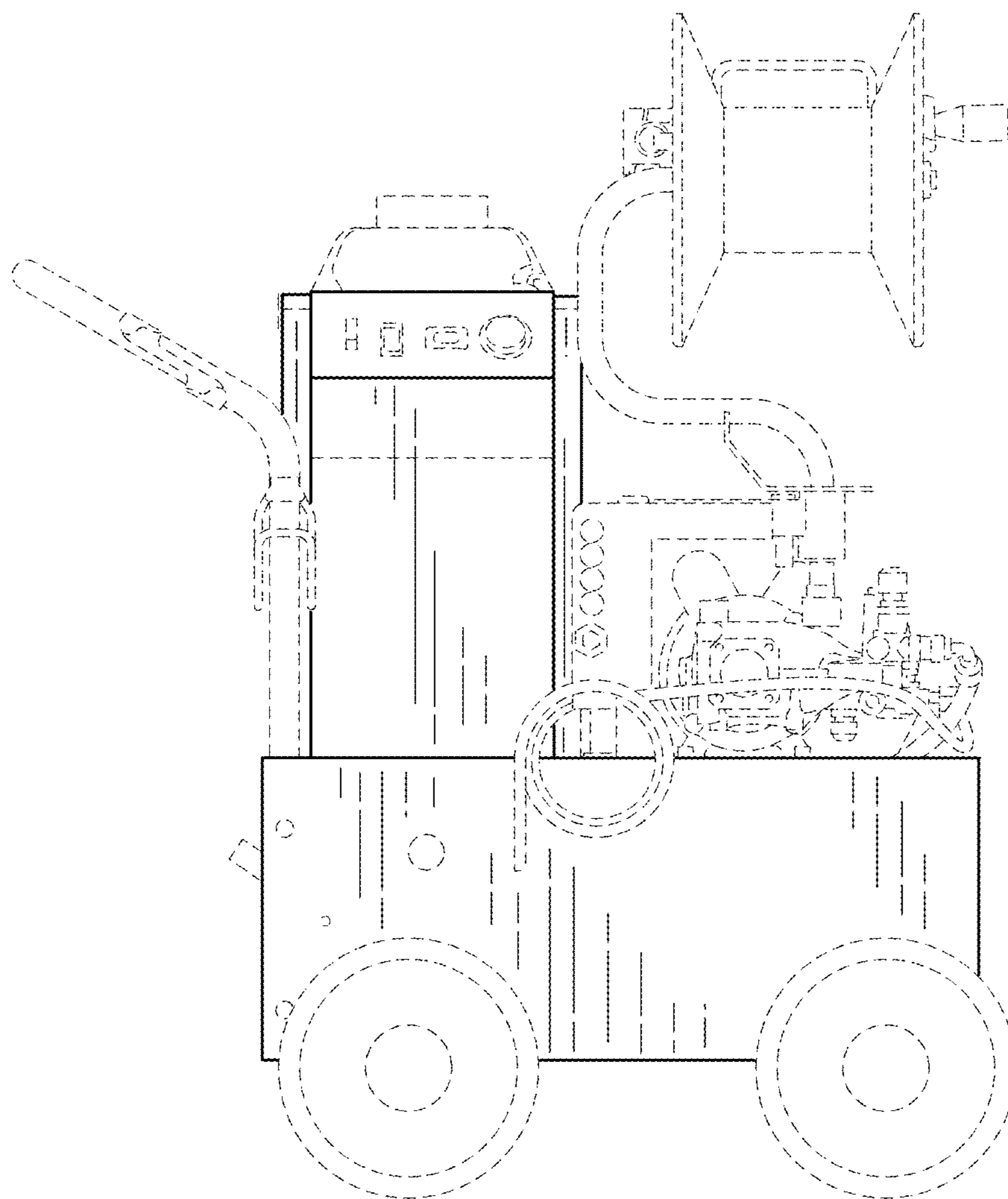


FIG.6



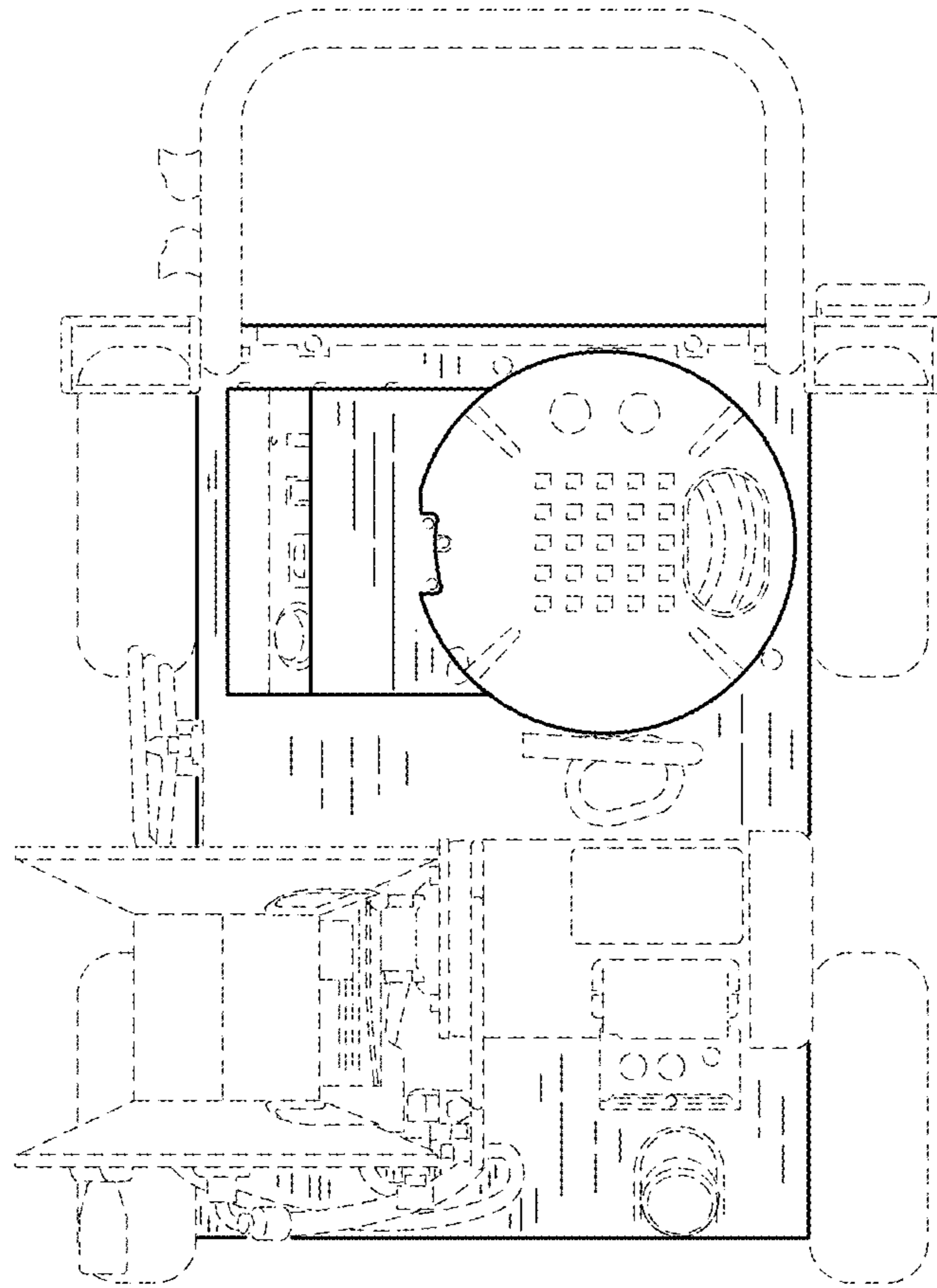


FIG.7